

ANTISHOCK DEVICE 2005*
Mod. TA – TA/S – TA/P – TA/PF – TA/L

This brand new professional and innovative device (see **Photo 1**) has been specifically designed and built by BERTI in order to **improve the safety** either of the machine and of the operator itself during the work on field **with the offset mulchers of the TA Serie**.

Should the machine hits an immovable obstacle encountered on field, this implement **permits to the whole cutting head to respond immediately with real-time back and in-line movements** as described in the **Diagram 2**.

The reaction described, permits to the operator to stop the work in time, to keep the tractor away from dangerous lateral sliding and to protect the machine from major damages.



Photo 1

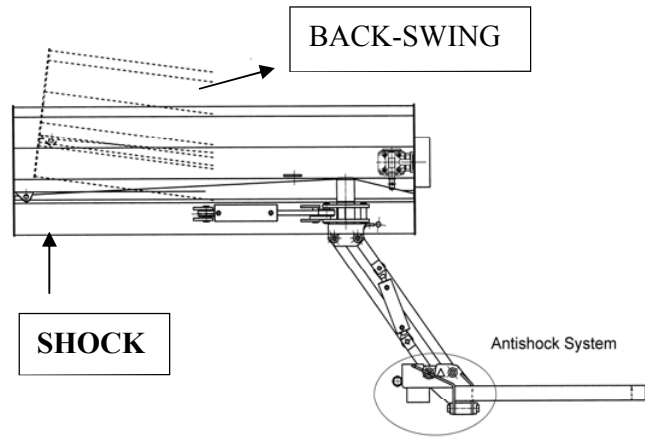


Diagram 2

The new “**BERTI Antishock Device**” consists of a special calibrated disk-spring, enclosed into an appropriate housing beside the A-frame, which operates the parallel arms when a front shock (Diagram 2) occurs to the mulching head, as described in the Diagrams 3 and 4 below.

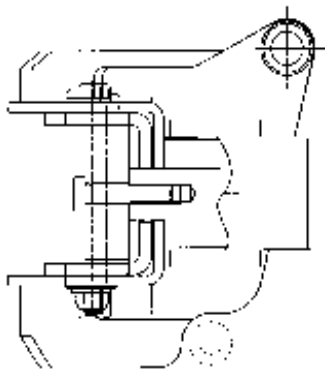


Diagram 2

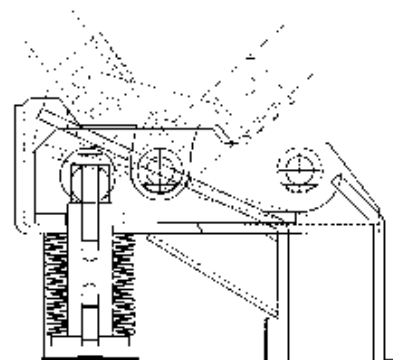


Diagram 3

<u>PRICES:</u>	
TA/L € 285
TA & TA/S € 440
TA/P & TA/PF € 610

****Available upon request, from April 2005 !!***