

# DF-3N-4010HD

(new in November 2008)

DF = Dry Fertilizer

3N = 3 section no-till

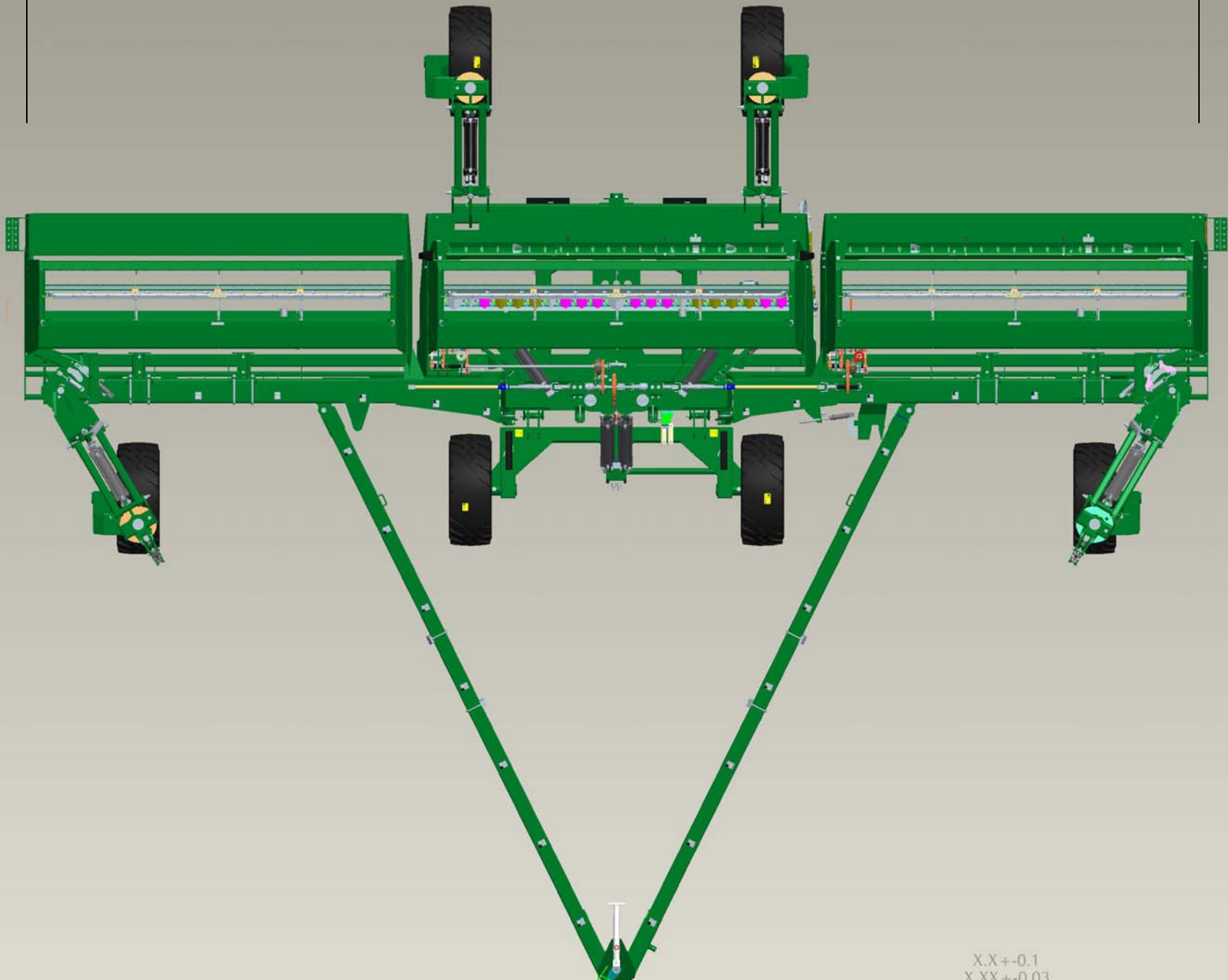
40 = 40ft (12.2 meter) drill

10 HD = 10 series Heavy-Duty Openers

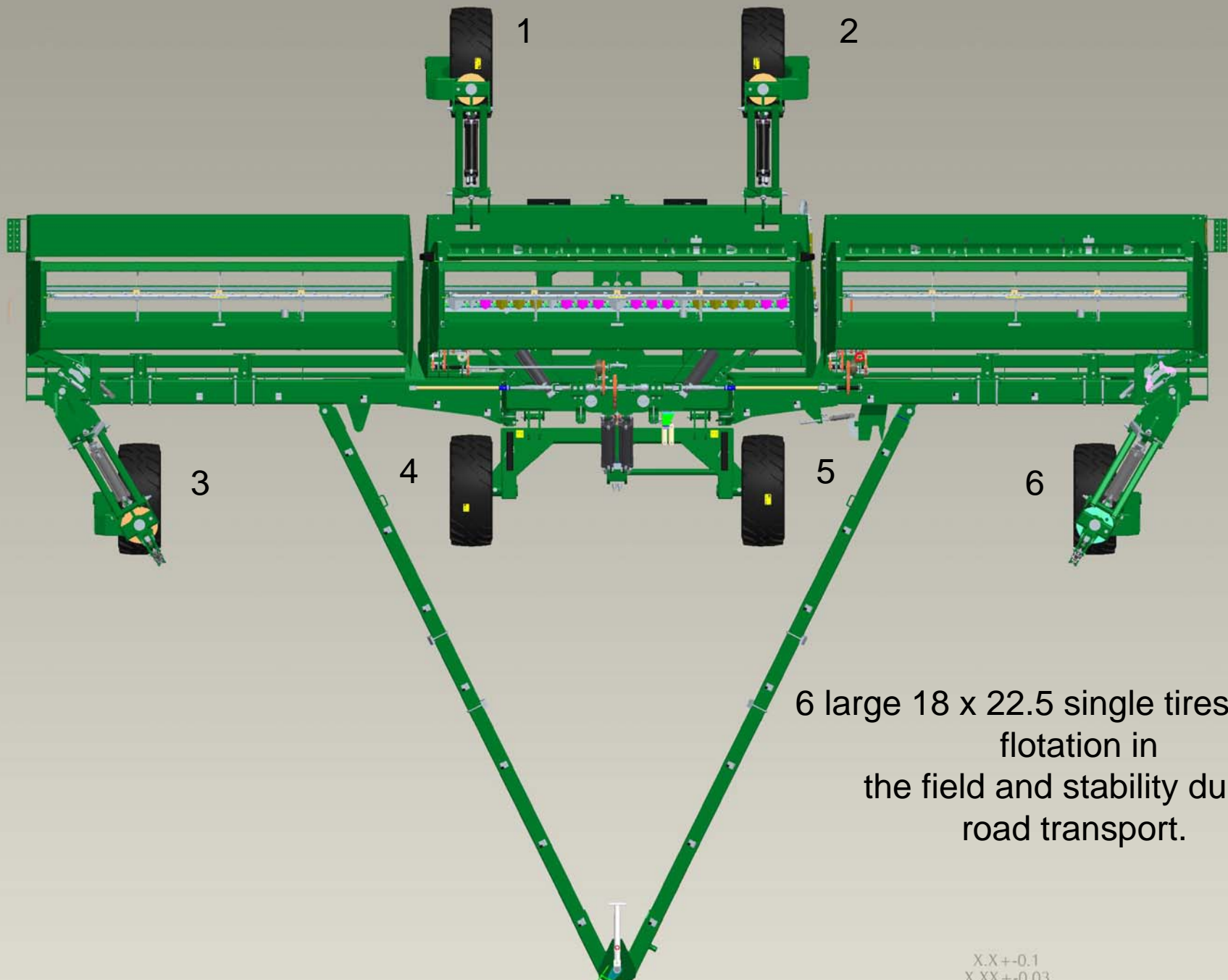


X.X+-0.1  
X.XX+-0.03  
X.XXX+-0.005  
ANG. +-2.0

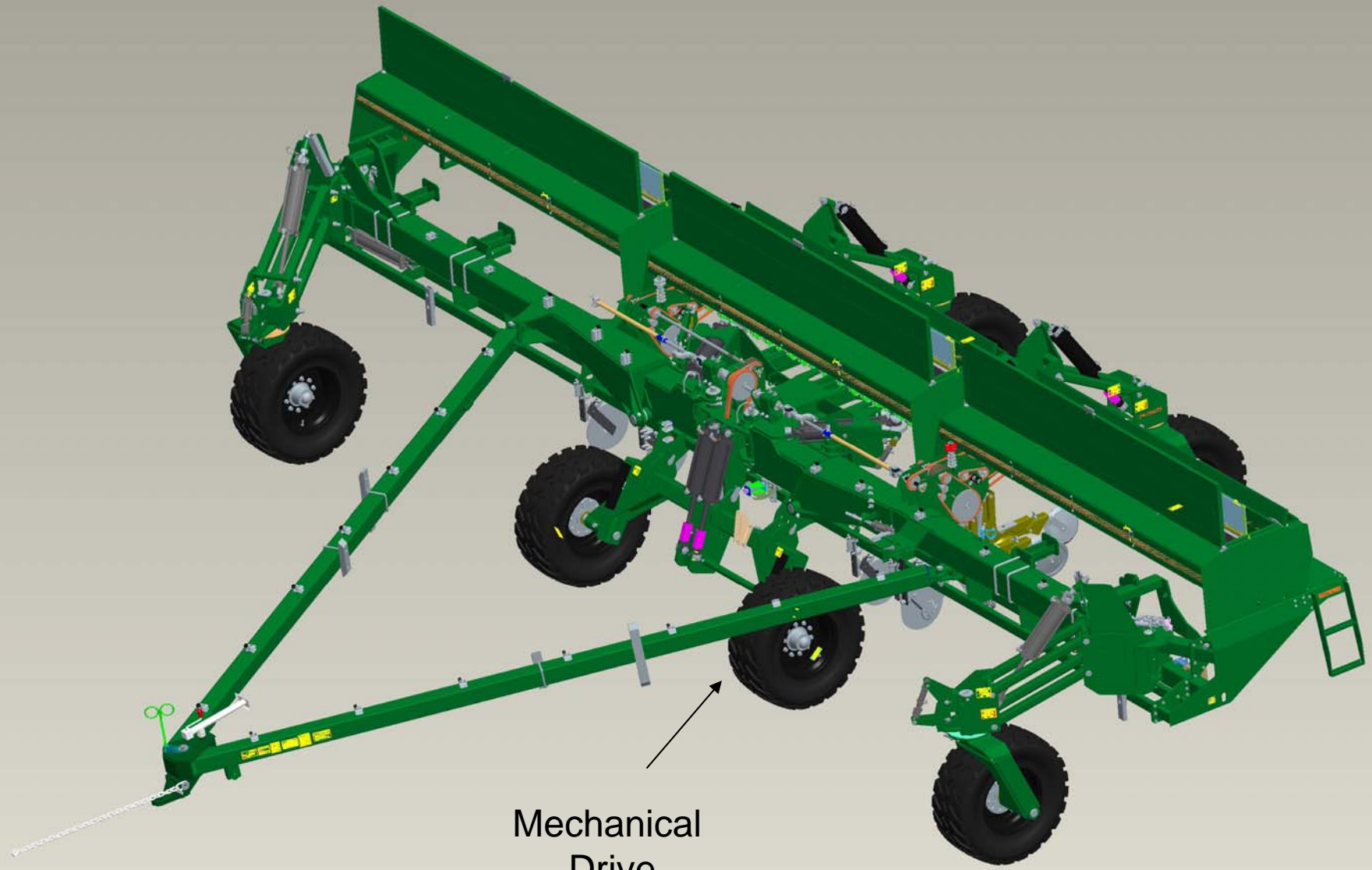
40 ft or 12.2 meter working width



X.X+-0.1  
X.XX+-0.03

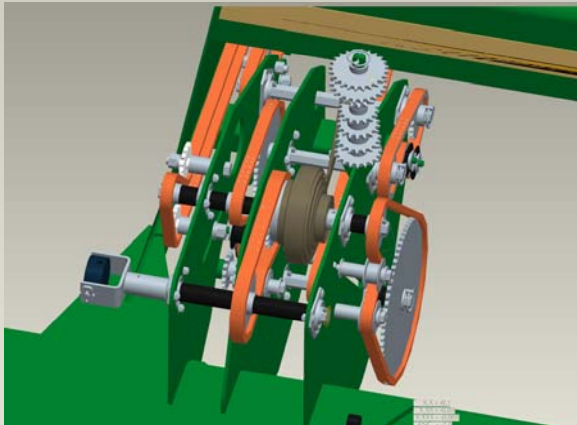
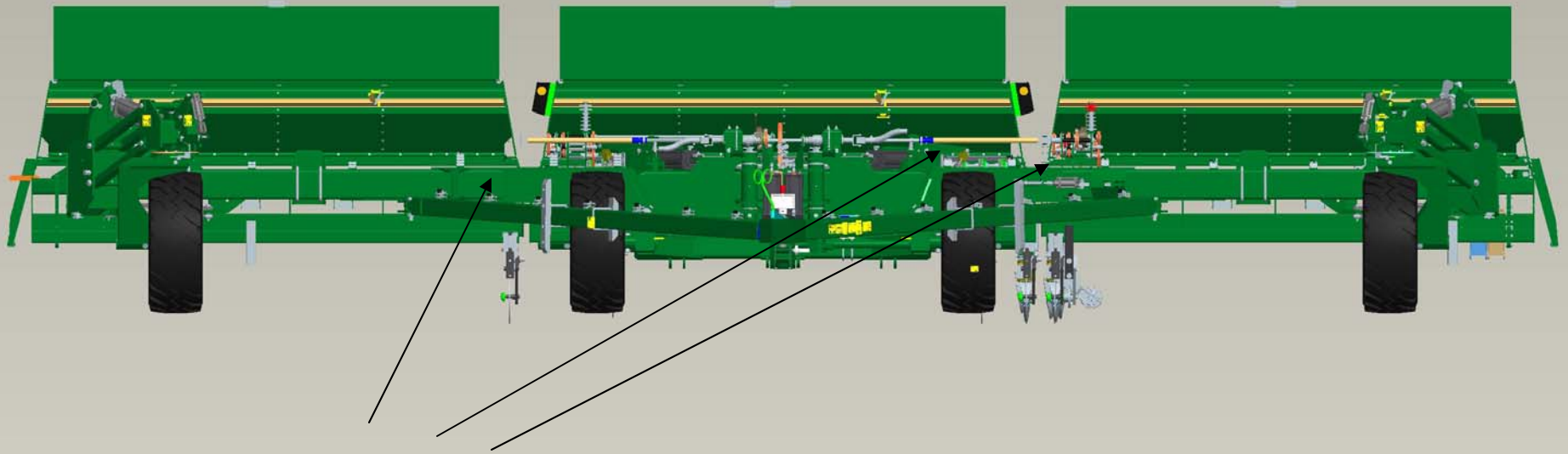


6 large 18 x 22.5 single tires provide flotation in the field and stability during road transport.



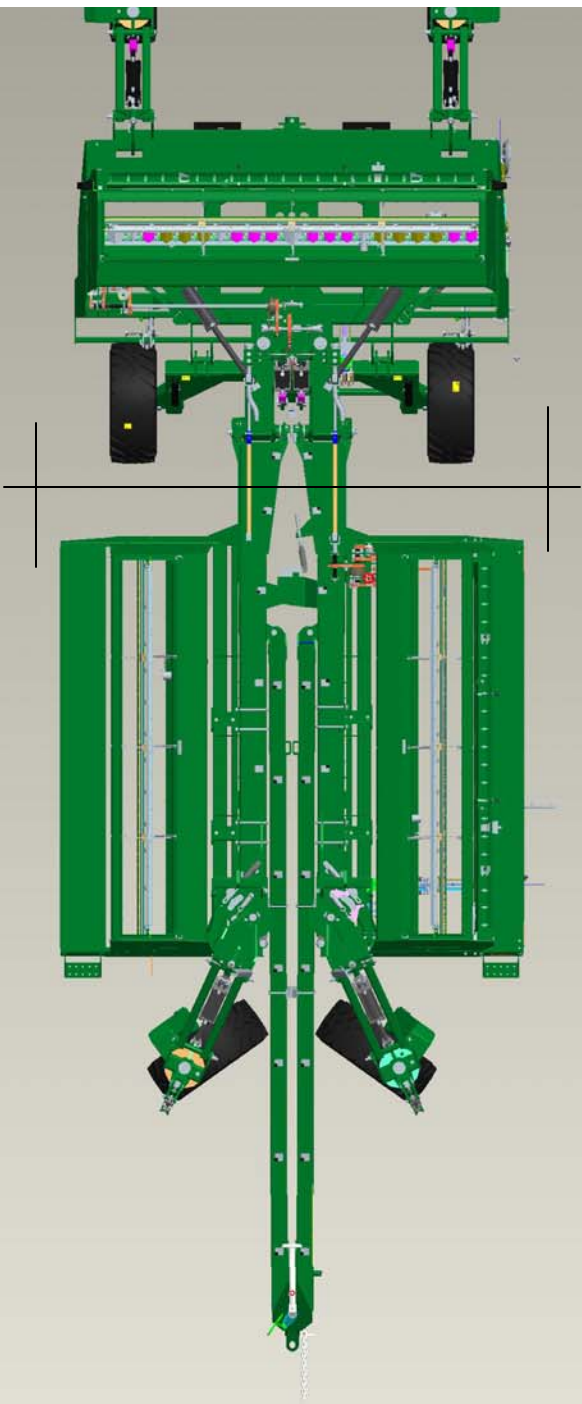
Mechanical  
Drive

X.X+0.1  
X.XX+0.03  
X.XXX+0.005  
ANG. +2.0



Seed-rate and separate fertilizer rate adjustment will be done on each box via sprockets.

X.X+-0.1  
X.XX+-0.03  
X.XXX+-0.005  
ANG.+-2.0



~ 4.2 meter transport width  
(depends on the press wheel)

X.X+-0.1  
X.XX+-0.03  
X.XXX+-0.005  
ANG. +-2.0

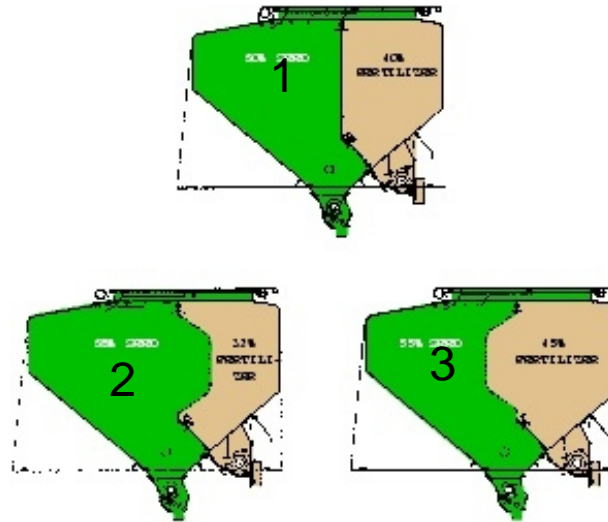
# Transport Position



X.X+-0.1  
X.XX+-0.03  
X.XXX+-0.005  
ANG.+-2.0

# Seed and Fertilizer Box Options

The DF-3N-4010HD has a total seed box capacity of 4560 litres to divide between seed and fertilizer. Three configurations will be available with option 1 being standard fertilizer configuration and options 2 & 3 requiring 12 x 817-322C reversible partitions:

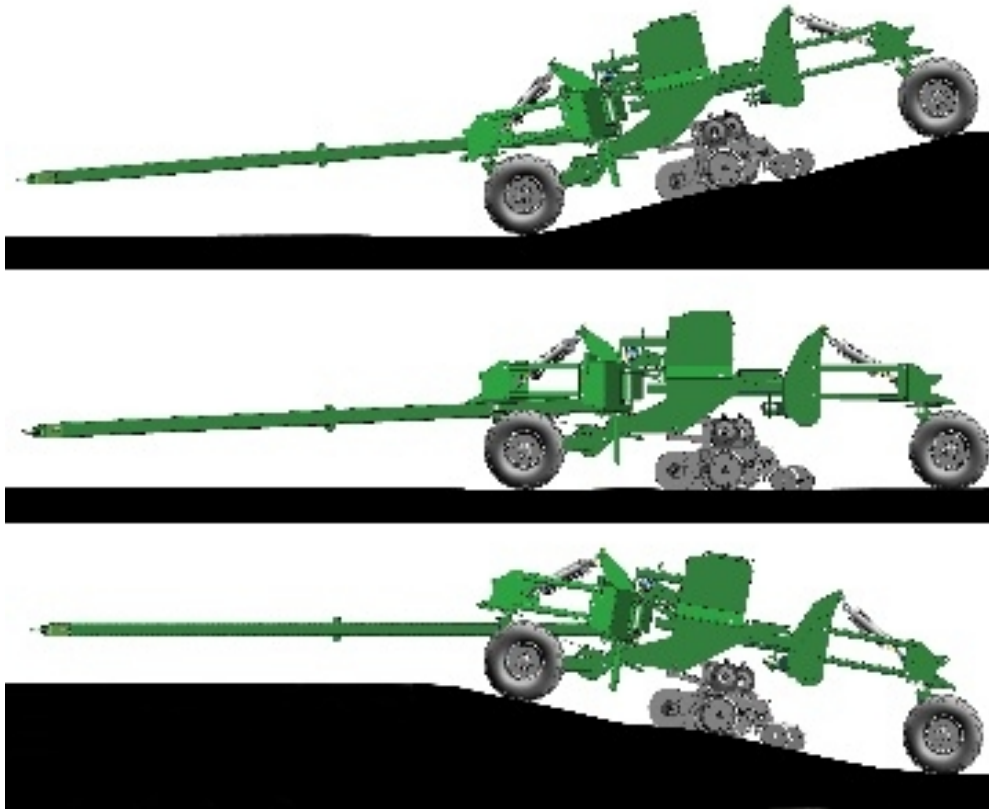


**3 fertilizer box configurations are available:**

- 1) 60% seed & 40% fertilizer (2736 litres seed & 1824 litres fertilizer)**
- 2) 68% seed & 32% fertilizer (3100 litres seed & 1460 litres fertilizer)**
- 3) 55% seed and 45% fertilizer (2508 litres seed & 2052 litres fertilizer)**

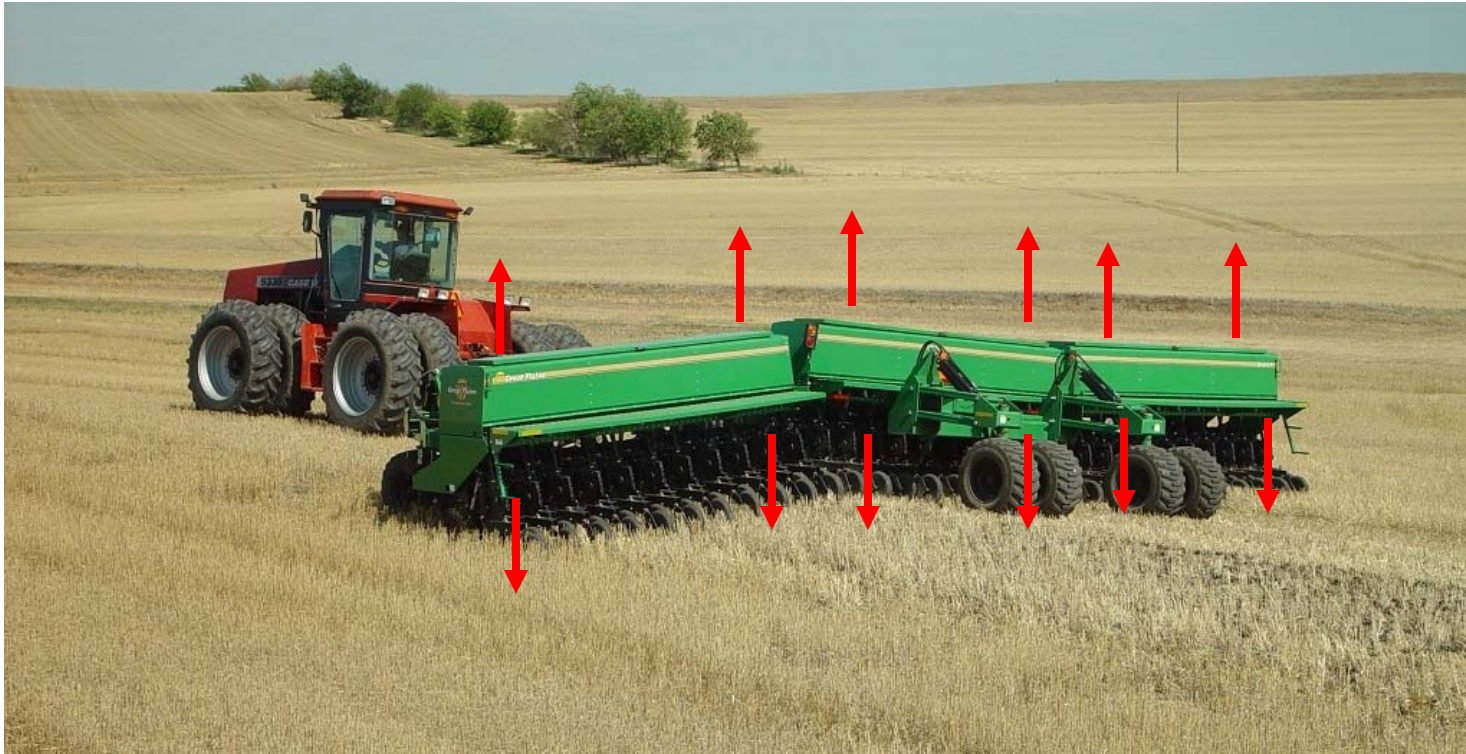
**Goal will be to allow farmers to get 400 kg/ha maximum fertilizer rate.**

# Parallel linkage gauge wheels



The parallel linkage design of the gauge wheels combined with the parallel linkage openers allow every row of the DF-3N-4010HD to contour with the soil and plant every seed at the same depth.

# DF-3N-4010HD flotation



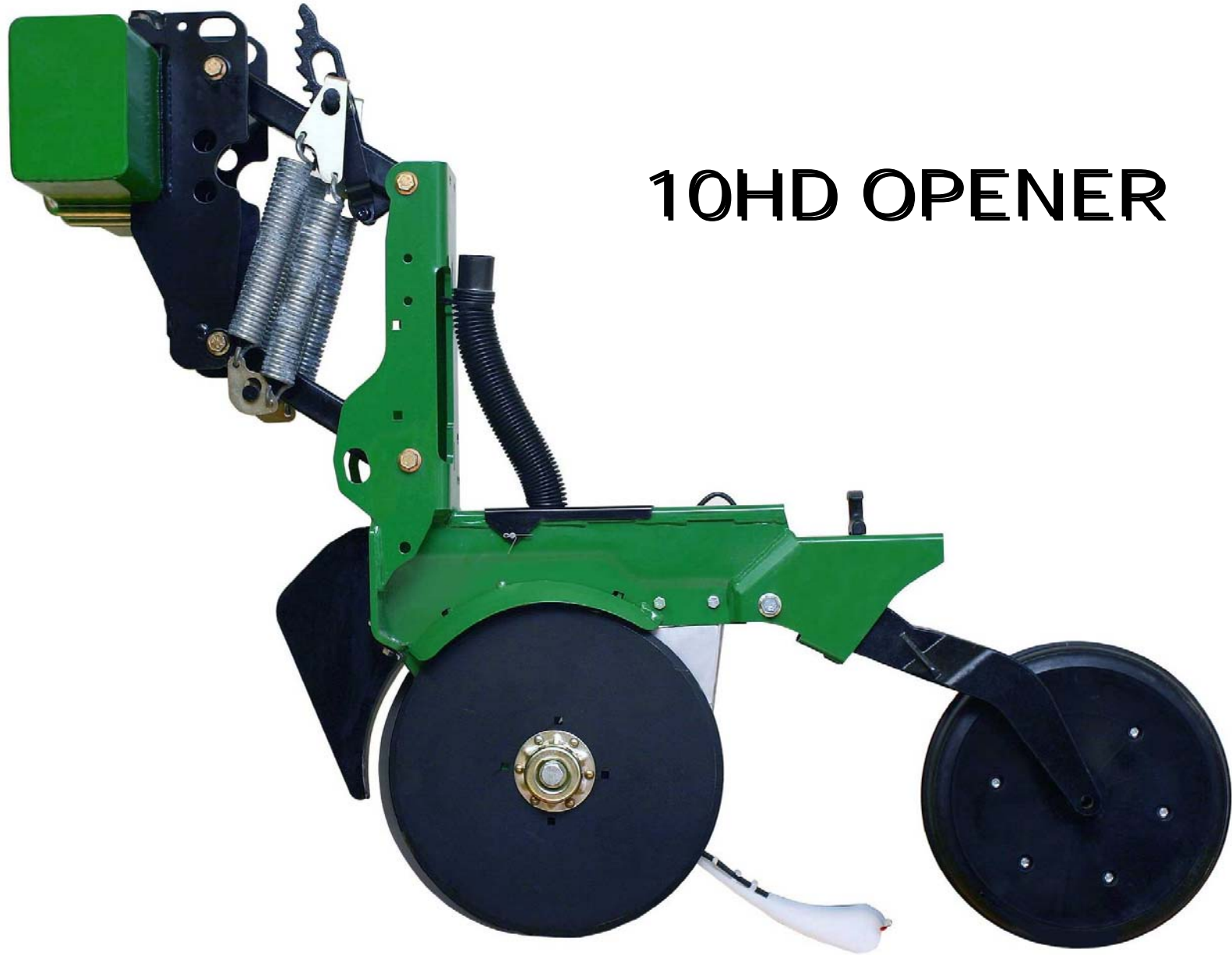
Each box section is designed to adapt to the uneven ground independent of the other box section. This enhances the accuracy of seed-placement and gives the Tractor operator more flexibility when seeding.

*Note: The picture shown is of the 3N-4010P. It has pairs of gauge wheels. The new DF-3N-4010HD will have single tires to improve transport on farm roads.*

# DF-3N-4010HD flexibility

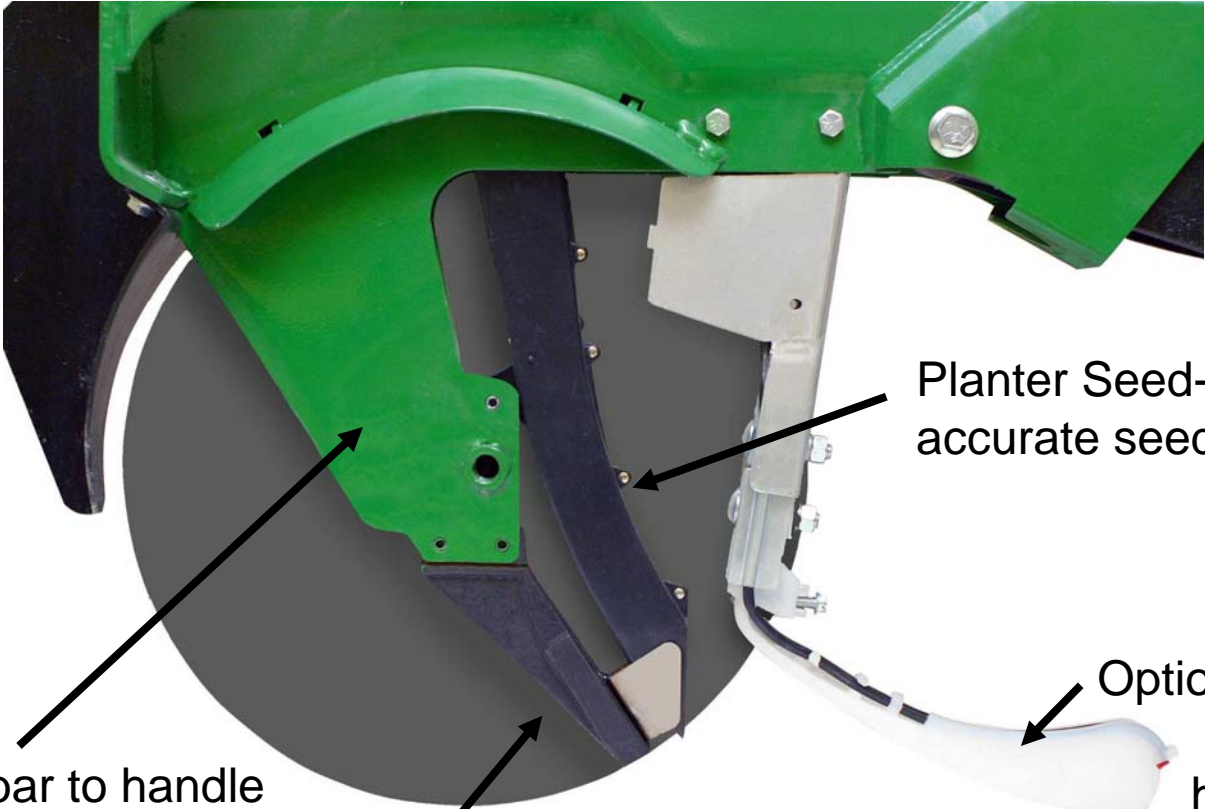


From the center of the seeder to each wing the outside seed-box will be able to move up 2 meters and down 2 meters to adapt to the terrain. Combined with the “ +12 cm and – 12 cm “vertical travel” of each opener this seeder will ensure accurate seed-spacing. Even in hill country!



**10HD OPENER**

# 10 HD OPENER Features



Stronger nut-bar to handle more pressure and take the punishment of "low residue no-till terrain".

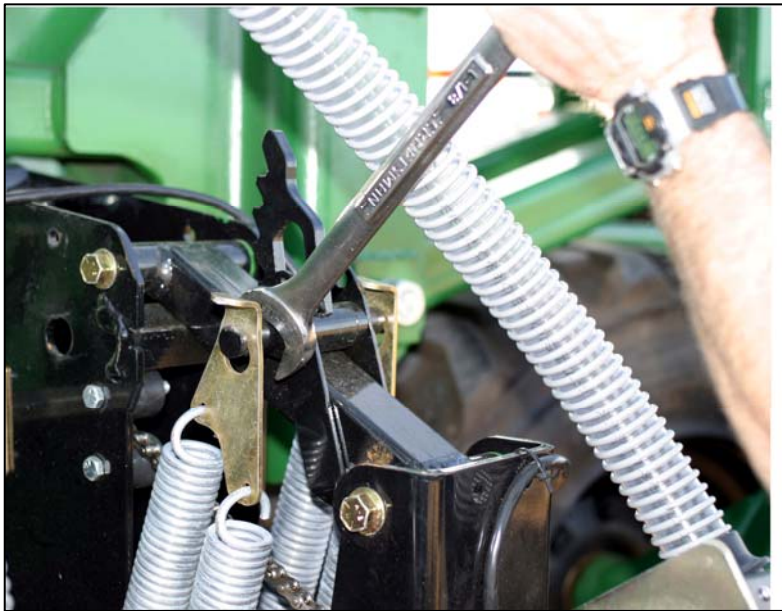
Blade Separator to keep blades from flexing inward

Planter Seed-Tube for more accurate seed-placement.

Optional "Keeton Seedfirmer" helps firm seed into bottom of furrow  
(not available on mechanical drills with dry fertilizer)

# 10 HD

## Opener Down-Pressure Adjustment



6 down-Pressure Settings		
Spring Setting	Kg	lbs
1	156.5	345
2	167.8	370
3	181.4	400
4	204.1	450
5	226.8	500
6	249.5	550

Maximum pressure setting depends on total weight of the unit

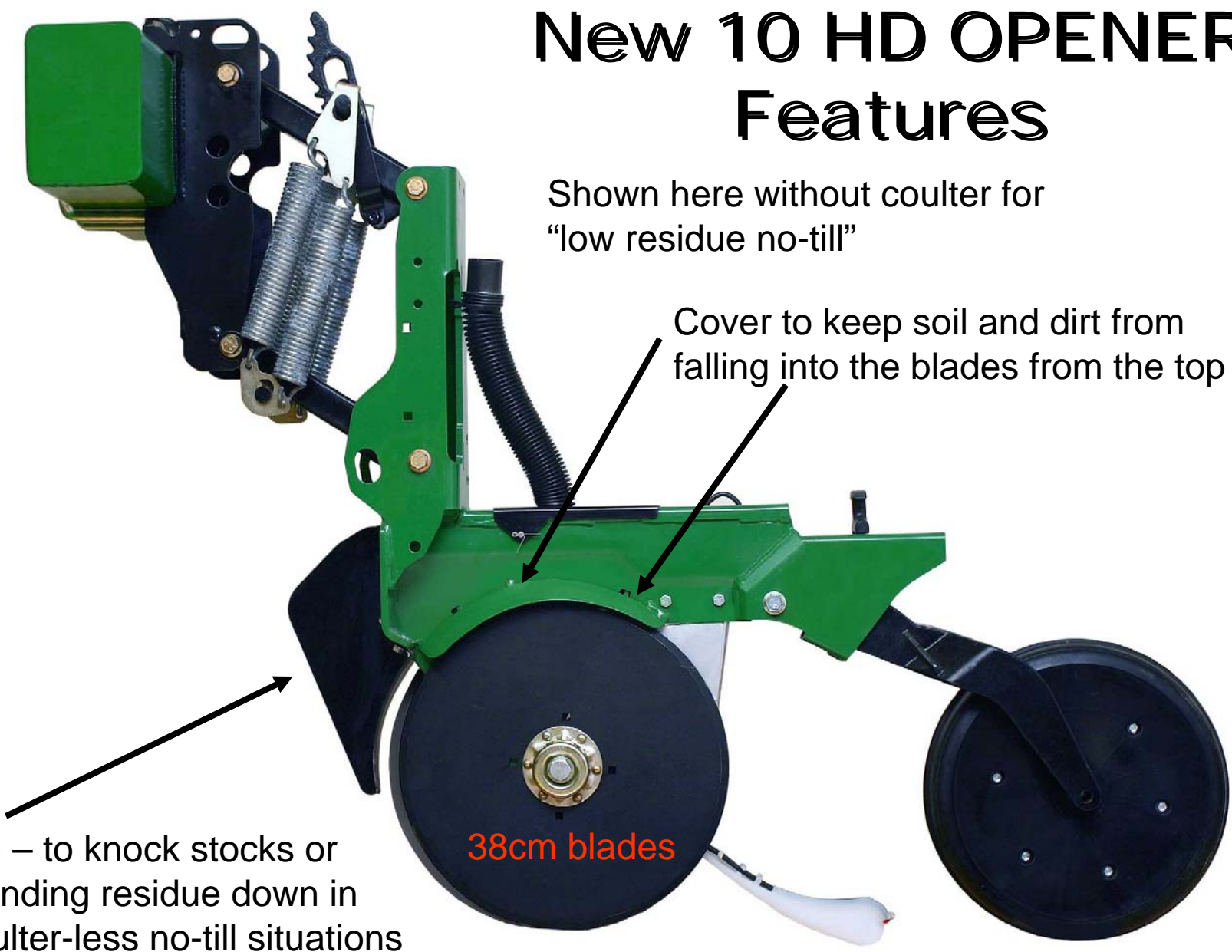
# New 10 HD OPENER Features

Shown here without coulter for  
“low residue no-till”

Cover to keep soil and dirt from  
falling into the blades from the top

Fin – to knock stocks or  
standing residue down in  
coultter-less no-till situations  
(coultter bolts in place of fin when customers choose  
“unit mount coultter option”)

38cm blades



# 10 HD OPENER Features

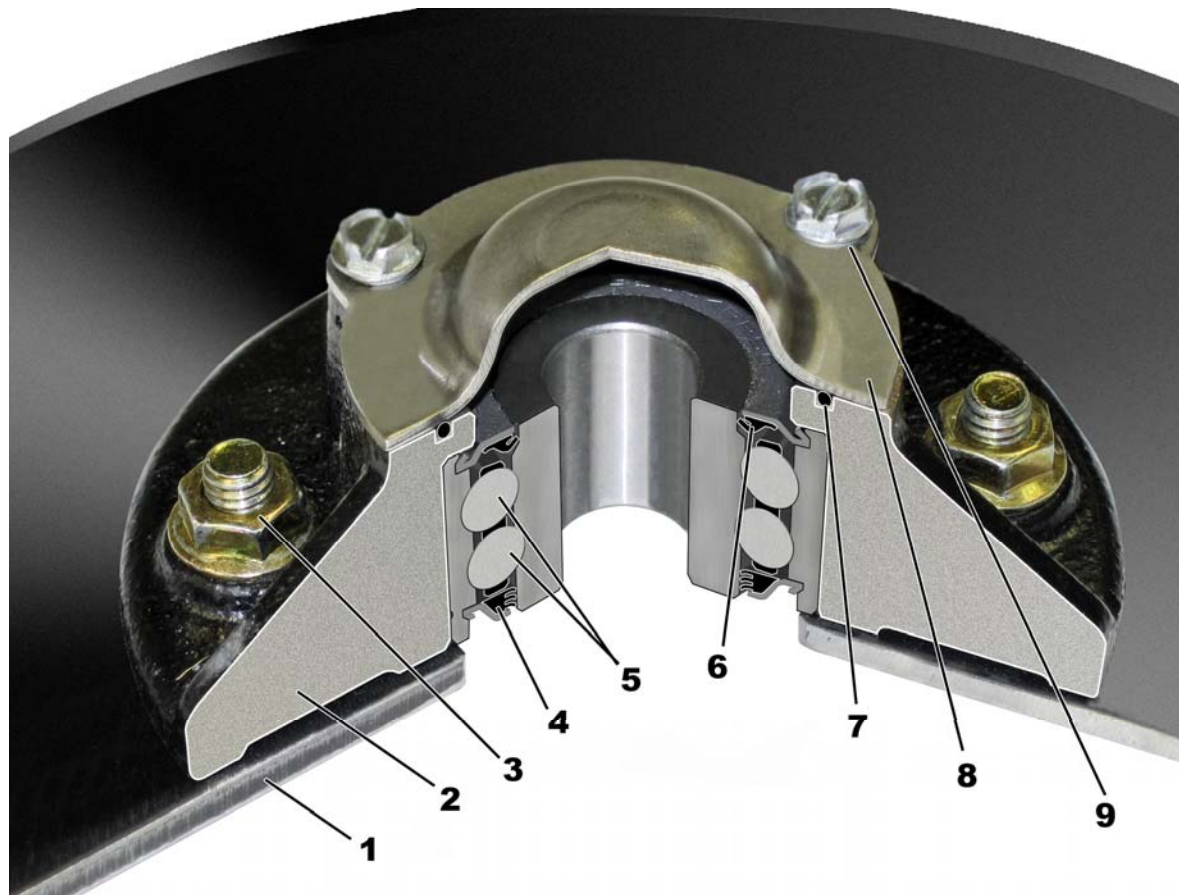


Optional "Unit Mount Coulters" with 15 inch (38cm) blades bolts direct to the face-plate of the opener to convert the unit to a heavy-duty no-till seeder.

Advantage: Coulters depth is set in direct relation to the opener. This will ensure it never works too deep or too shallow to prepare a perfect seed-bed

*For customers with many rocks a frame mounted coulters can be purchased. Rocks may impact the seed-placement with the unit-mount coulters option.*

## Optional Double-Row Bearing for extreme conditions



1. 4mm boron steel blade  
2. Ductile cast bearing housing  
3. Replaceable bolts and nuts

4. Triple lip seal  
5. Double row ball bearing  
6. Single lip seal to reduce drag

7. O-ring dust seal  
8. Dust cap  
9. Tighteners for dust-cap

## Other key features:

- Available in 19cm/7.5 inch and 25cm/10 inch row spacing
- Dual Hydraulic Markers
- New heavier double row bearing for extreme conditions (see previous picture)
- Point-row clutch and controllers to allow operator to shut off individual boxes to minimize double seeding at the ends of the fields
- Tramline option for seed box only
- Standard Great Plains fluted feed that allows operator to seed cereals, canola/rape, peas and beans
- Optional small seeds attachment to seed clovers, canola/rape and other small seeds
- Will fit into one 40 foot high cube container
- Fertilizer box will be capable of metering up to 400 kg/ha fertilizer
- 38cm unit mount coulters (cheaper no-till alternative but not recommended in soils with many stones or rocks) or 43cm frame mounted coulters (better for soils with many rocks)