

8' & 10' 3-POINT NO-TILL COMPACT DRILLS

from



MODEL

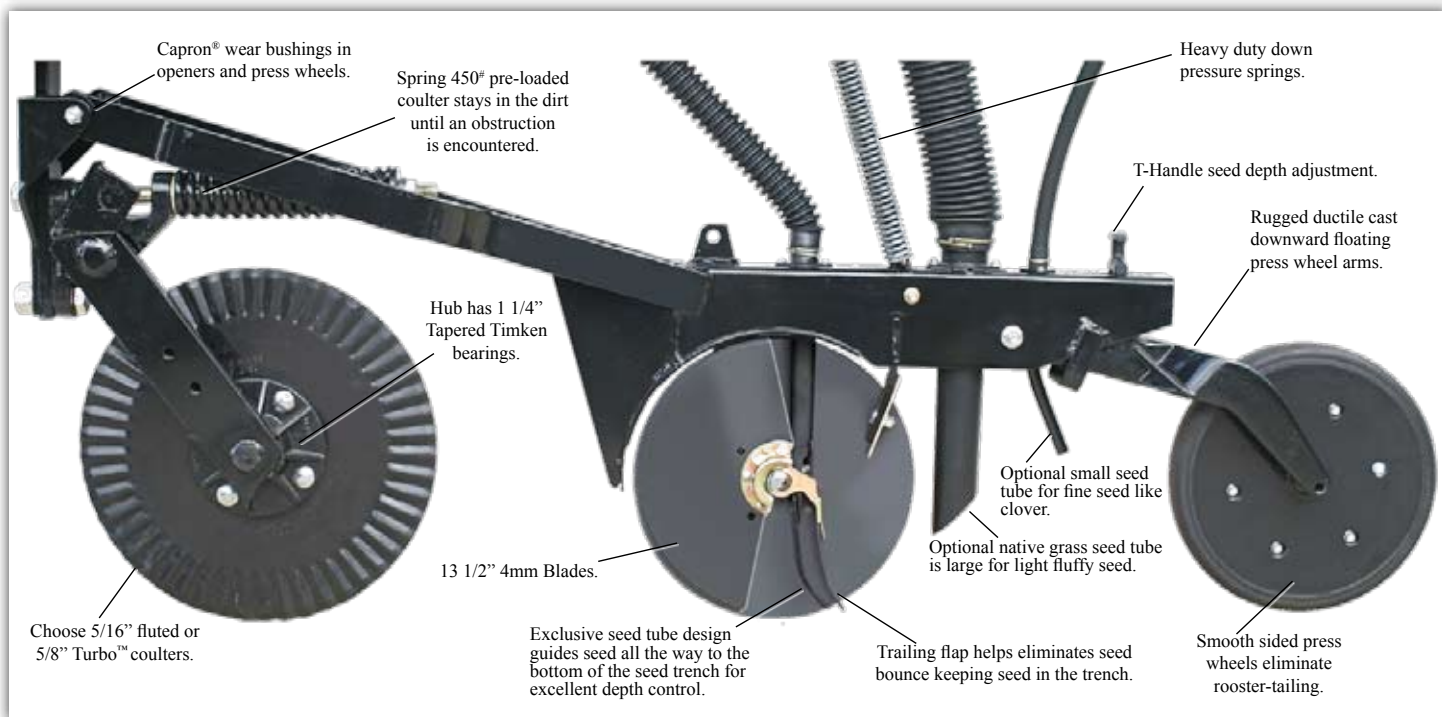
3P806NT
3P1006NT



Great Plains has expanded its compact drill line to include 3pt 8 & 10 foot no-till models. The 3P806NT & 3P1006NT utilize the "06" series opener to properly place the seed. The coulters are pre loaded to 450 pounds to insure proper penetration even in the toughest conditions. The coulters are non-swiveling design for added stability and improved tracking on slopes. Our double disc configuration and full length seed tube insures that the seed is placed consistently at the depth chosen. Additional seed tubes are used to place both native grass and small seeds. This allows three seeds to be planted at separate rates at the same time. Depth control is handled by the 18 position T-handle press wheel adjustment.

The main seed box is a fluted feed design. The seeding rate is set with the four speed transmission and the adjustable gate opening. The native grass box uses our proven "picker wheel" to meter the seed. Rates are adjusted by varying the speed of the drive. Lastly the small seeds attachment is a smaller version of our fluted feed system and seeding rates are set by changing the width of the fluted feed. The ground drive system automatically disengages when lifted simplifying the unit and enhancing its reliability. Options also include, dry fertilizer, native grass, small seeds, seed box agitator.

06 SERIES OPENER



PRESS WHEEL CHOICES



2" x 13" Single (Conversion)

This design presses soil directly over the seed, aggressively firming the soil.



3" x 13" (7.6 x 33cm) Center Rib

Provides excellent flotation and consistent depth control.



1" x 12" (2.5 x 30.5cm) Double - V

It provides excellent depth control in most soil conditions. (7 1/2" Only)



Wedge - This aggressive tapered edge design efficiently closes the seed trench and firms soil around the seed. (7 1/2" Only)



LIFT ASSIST



2 Lift assist wheels in the rear of the 3P806NT & 3P1006NT models to provide greater lift capacity and assist the 3-point. Castored straddle axles allow maneuverability and strength.

MULTIPLE BOX COMBINATIONS



Multiple box combinations, start with the 2 bu. per ft. main seed box, add a dry fertilizer box or a native grass box, additionally you can add a small seeds box to the main box or add it to the fertilizer/native grass box choice.

NARROW TRANSPORT



The 3P806NT has no end wheels protruding from the sides so transport width is the same as the planting width.

SPECIFICATIONS

Model Name	3P806NT	3P1006NT
Row Spacing, Inches	7 1/2"	7 1/2"
Number Of Openers	13	15
Weight, Pounds	4350 lbs. (main seed box only)	5460 lbs. (main seed box only)
Working Width	8'	10'
Transport Width	98"	116"
Transport Length	w/lift assist 148"	w/lift assist 148"
Transport Height	92"	92"
Seed Box Capacity	2 bu. per ft.	2 bu. per ft.
Small Seed Box Capacity	1.92 bu.	2.4 bu.
Fertilizer Capacity	.92 cu./ft. per ft.	.92 cu./ft. per ft.
Opener Travel	6"	6"
Opener Planting Depth	0" - 3 1/2"	0" - 3 1/2"
Opener Down Pressure	90 lbs. - 180 lbs.	90 lbs. - 180 lbs.
H.P. Requirements	80 h.p. Minimum	100 h.p. Minimum

STANDARD EQUIPMENT

Grease Bank	Rear Lift Assist
4 Speed Gear Box (2 on 3P1006)	Folding Rear Ladder
Manual Storage Package	Safety Lights
Electronic Acre Meter	Seed Level Indicator
Calibration Crank	"V" Bottom Dividers

OPTIONS

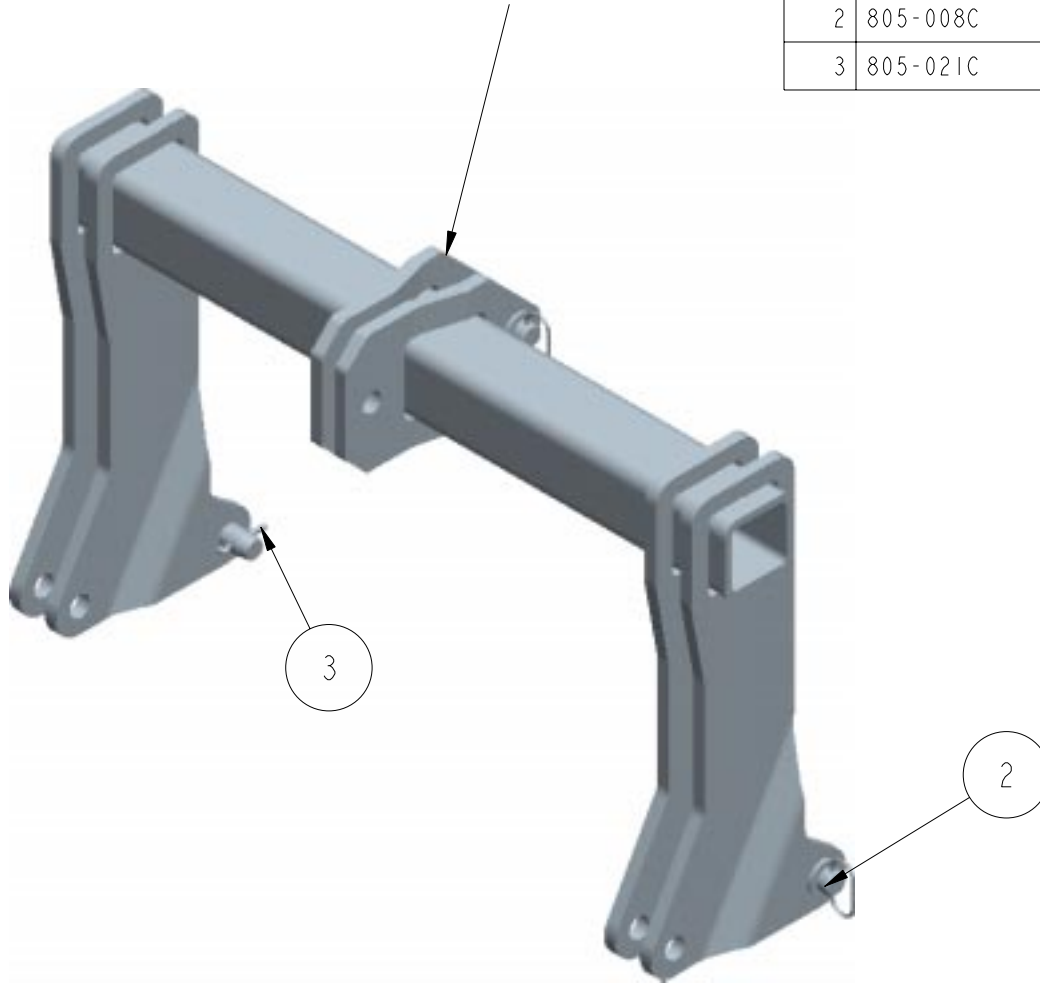
Press Wheels	Air Design Disk Scrapers
Seed Cup Plugs	Seed-Lok Firmers
Seed Box Agitator	Weight Brackets

Note: All specifications subject to change without notice.

Attached for a new compact extension hitch designed to provide more clearance between the tractor and drill 3P806NT and 3P1006NT. This will allow for oversize tractors and tires to drill when working over rolling or undulating terrain. If you've experienced any clearance issues with these tractor to drill combinations, or anticipate that you might, this will be the solution

COMPACT EXTENSION HITCH

No Catalogue:		PART NO <u>118-966A</u>	REV -
REF	PART NO	DESCRIPTION	QTY
1	118-965H	COMPACT EXTENSION HITCH WELD	1
2	805-008C	PIN HITCH 1 1/8 X 4 11/16 USEABLE	3
3	805-021C	PIN COTTER 1/4 X 2 PLT	3



LTR	BY	DATE	REVISIONS	REL NO	<h3>Great Plains</h3> MANUFACTURING INCORPORATED PO BOX 5060 SALINA, KANSAS 67402-5060	TOLERANCES UNLESS NOTED ± INCH [METRIC] X ±NA [2] X.X ±.1 [.8] X.XX ±.03 [.12] X.XXX ±.005 [.012] FRAC ±.03 [.75] ANG ±2°	TITLE COMPACT EXTENSION HITCH			
					FINISH	RM NUMBER	DRAWN BY JC	DATE <u>6-25-08</u>	CHECKED	RELEASE LEVEL PROD
					HEAT TREAT	RM DESCR	SCALE 0.500	EXP NO:		REL NO 08-168
							PART NO <u>118-966A</u>		REV -	