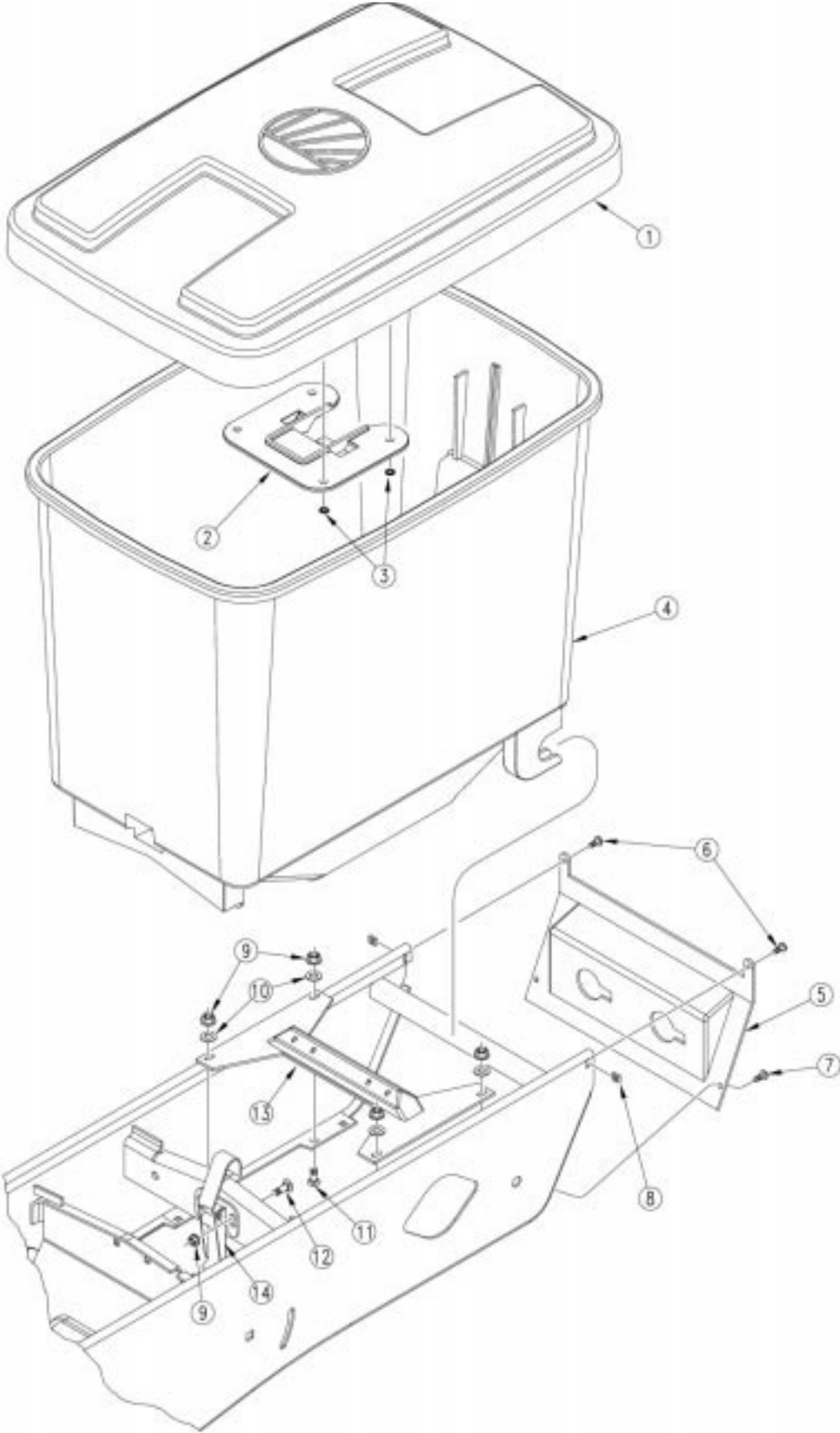


Chemical Hopper

BOITE DE PRODUITS CHIMIQUES HERBICIDE/INSECTICIDE



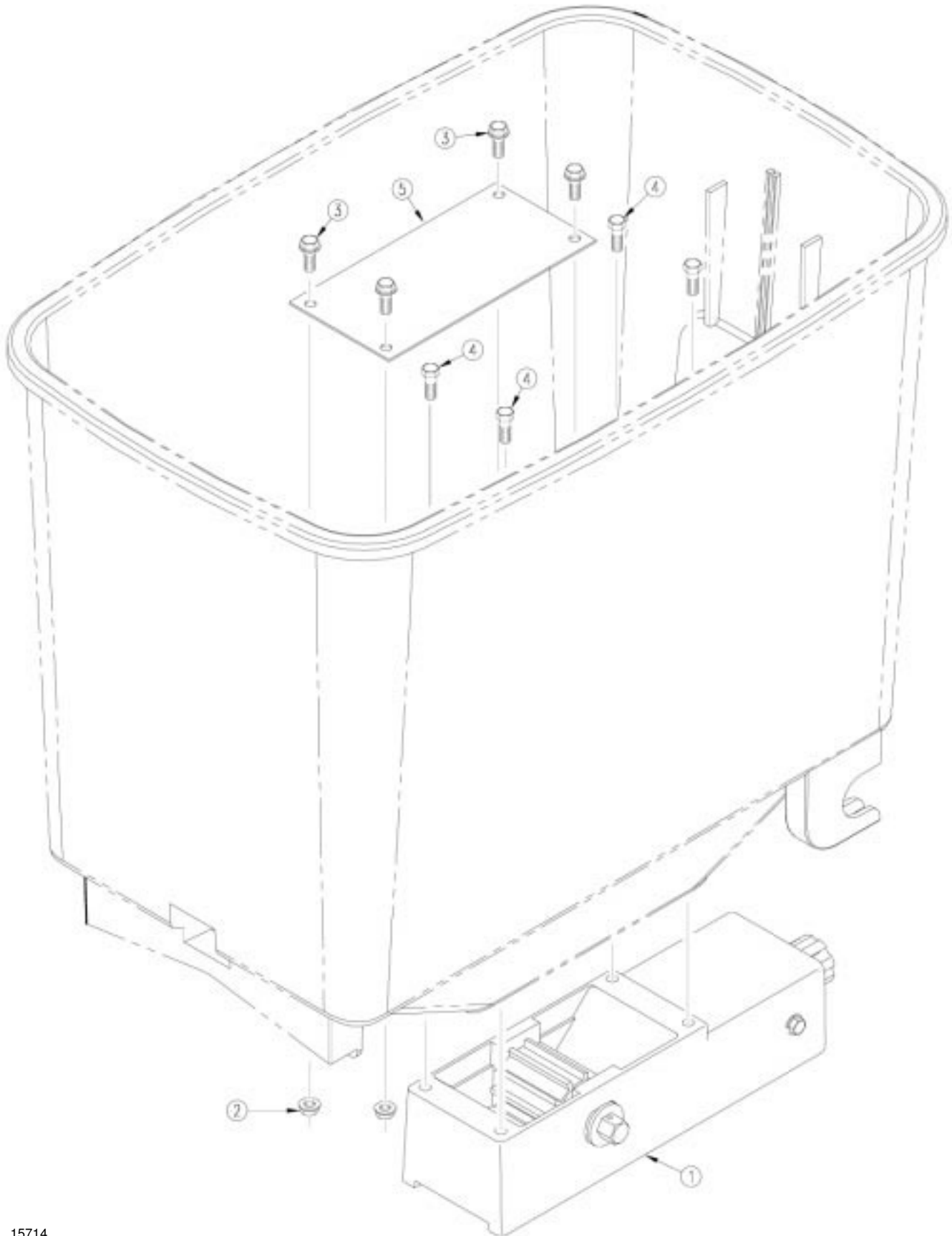
17655

Chemical Hopper

Ref.	Part No.	Part Description	Comments
1.	817-264C	96 CHEMICAL HOPPER LID	
2.	817-269C	96 HOPPER LID HOOK	
3.	800-283C	PUSH NUT 1/4	
4.	817-268C	96 CHEMICAL HOPPER	
5.	817-353C	COVER, CHEM METER	
6.	801-155C	HFS 10-24 X 3/4 PLT	
7.	801-156C	HFS 10-16 X 5/8 SELF-DRILL PLT	
8.	803-300C	NUT SQ 10-24 PLT	
9.	803-230C	NUT HEX FLANGE 1/4-20 PLT	
10.	804-075C	WASHER FLAT 1/4 USS PLT	
11.	802-002C	RHSNB 1/4-20X3/4 GR5	
12.	802-633C	RHSNB 1/4-20X5/8 PLT	
13.	817-352C	FUNNEL MOUNT	
14.	800-137C	OVER CENTER LATCH	

Legend: ① = 1st revision; ② = 2nd revision; ③ = 3rd revision; ● = use up existing stock; ⊗ = not interchangeable; ⊗ ① ② = for example: revision 2 is not interchangeable w/revision 1

Chemical Hopper Primary Granular Chemical Meter



15714

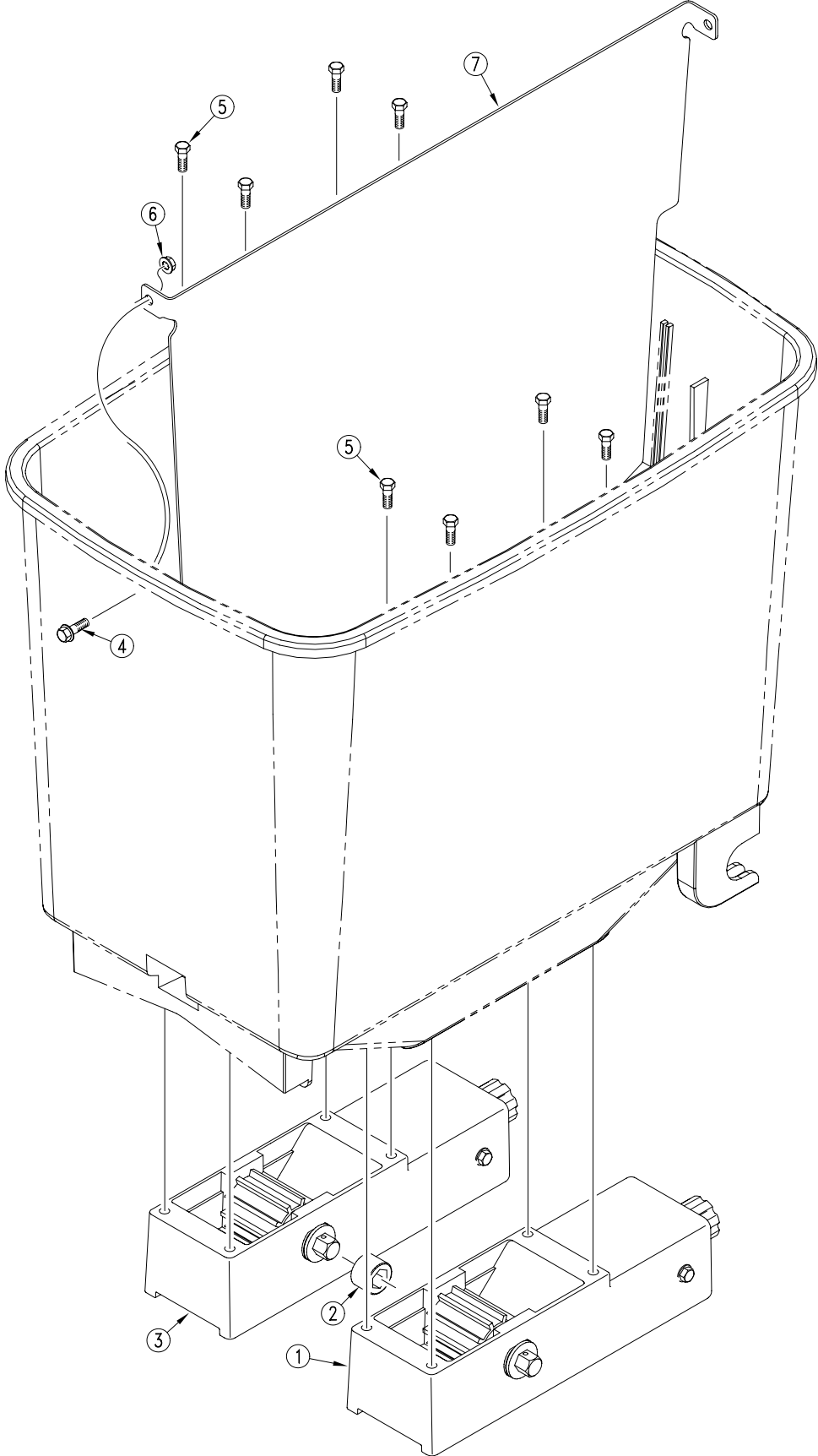
Chemical Hopper Primary Granular Chemical Meter

Ref.	Part No.	Part Description	Comments
1.	403-035V	PRIMARY CHEMICAL METER ASSY	Refer to page 5-5 for breakdown.
2.	803-194C	NUT HEX WHIZ 1/4-20 PLT	
3.	802-148C	HFSS 1/4-20X1/2 GR5	
4.	801-081C	SCREW HEX SELF TAP 1/4-20X3/4	
5.	403-021D	COVER PLATE	

Legend: ① = 1st revision; ② = 2nd revision; ③ = 3rd revision; ● = use up existing stock; ⊗ = not interchangeable; ⊗ ① ② = for example: revision 2 is not interchangeable w/revision 1

Chemical Hopper Primary & Secondary Granular Meter

BOITE DE PRODUITS CHIMIQUES AVEC SEPARATEUR



15715

Chemical Hopper Primary & Secondary Granular Meter

Ref.	Part No.	Part Description	Comments
1.	403-035V	PRIMARY CHEMICAL METER ASSY	Refer to page 5-5 for breakdown.
2.	890-354C	SECONDARY METER COUPLER	
3.	403-036V	SECONDARY CHEMICAL METER ASSY	Refer to page 5-5 for breakdown.
4.	802-196C	HFSS 1/4-20X5/8 GR5	
5.	801-081C	SCREW HEX SELF TAP 1/4-20X3/4	
6.	803-230C	NUT HEX FLANGE 1/4-20 PLT	
7.	403-042D	CHEMICAL DIVIDER STAINLESS	

Legend: ① = 1st revision; ② = 2nd revision; ③ = 3rd revision; ● = use up existing stock; ⊗ = not interchangeable; ⊗ ① ② = for example: revision 2 is not interchangeable w/revision 1