

# OVERSEEDERS

## Land Pride Overseeders ... proven to be the best in the industry.

Land Pride 48" and 72" Solid Stand Overseeders offer precise placement and seed-to-soil contact making them ideal to overseed existing stands of grass and establish new turf.

The three-way seed-to-soil contact system provides great germination and emergence with the solid advantages of a full width seeding pattern. Your choice of straight or curved knives slice into the ground creating slits to receive the seed. Fluted seed cups precisely meter the desired amount of seed in a broadcast pattern, delivering outstanding metering accuracy. The solid cast-iron packer wheels finish the job by pressing and firmly packing the seed into the soil, eliminating most air pockets.

Land Pride's unique solid stand seeding pattern generates beautiful stands of turf grass for renovation or new seedings. Choose from gauge wheel drive or plant close to sidewalks and obstacles with the rear roller drive.



www.landpride.com

8

### OS15 SERIES

25 - 60 HP — 48"  
30 - 60 HP — 72"



- Cat. 1
- 0" - 1 1/2" Depth adjustment
- 2" or 3" Knife spacing
- High carbon heat treated knives last longer in sandy soils
- Adjustable #80 roller chain, fully enclosed in oil bath provides a smooth and quiet drive
- 1 Bushel per foot seedbox with paddle agitator - fill less often and prevent bridging
- 12" Cast iron packer wheels with corrugated scraper
- Lift hooks allow for easy loading & unloading from trailers
- Optional Small Seeds Attachment for seeding two types of seed simultaneously
- Optional Slit Seeder Attachment for planting cool season grass into warm for that year-round green effect



The easy one-lever calibration sets all of the seed cups to the desired seeding rate. Seed calibration rates can be further expanded with easy drive chain configuration.

### Which Overseeder is right for you ?

SUGGESTED HORSEPOWER

**15**  
SERIES  
48" 25-60 HP

**20**  
SERIES  
72" 30-60 HP





When the optional small seeds box is used, two seeds can be metered at one time. The two seeds are metered into the same seed tube for even distribution.

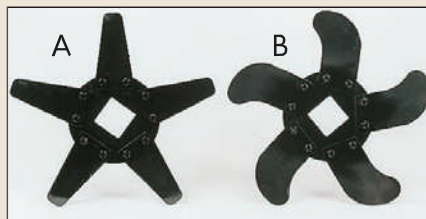
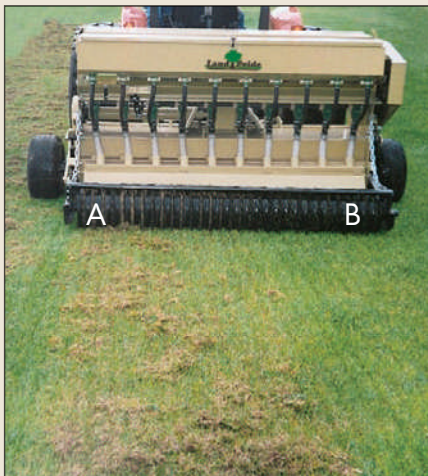
Clear main seed tubes are used so obstructions can easily be seen.

The gauge wheel model features 18" turf tread tires which regulate the seeding depth. The seed cups are driven off of the right hand gauge wheel, which is spring loaded to stay in contact with the ground.



A front full width roller with scraper is available, and is recommended on rear roller drive units. The front roller keeps planting depth consistent without relying solely on the tractor's 3-point. The seed cups are driven off of the rear roller, which are always in contact with the ground.

Shown with optional slit-seeder attachment.

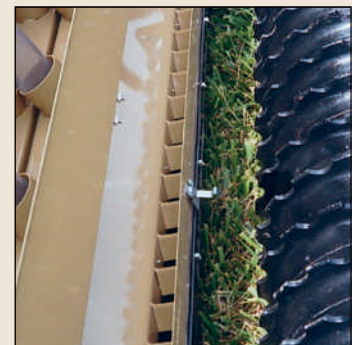


#### Choice of Knives

(A) Straight, aggressive 3/16" thick knives prepare the soil by pulling up thatch, while (B) 10 gauge curved knives provide a minimum of surface disturbance.

#### Slit Seeding

The optional Slit Seeder Attachment guides seed into open soil slits. The seed hoses can be easily switched for broadcast seeding or slit seeding. In both applications, the seed is shielded from the wind.



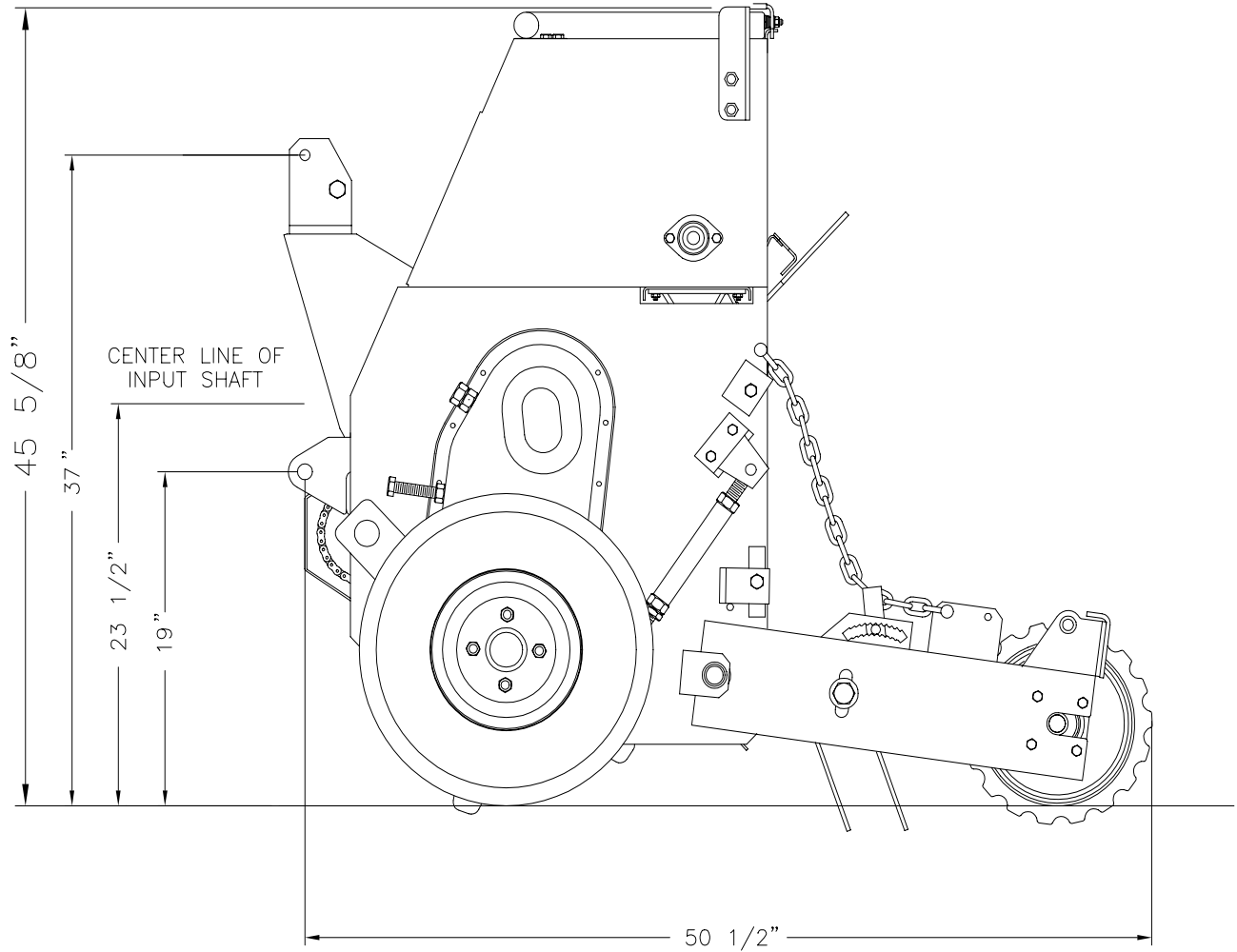
**Overseeders**

**OS1548 & OS1572 Series**

	<b>OS1548</b>	<b>OS1572</b>
<b>Overall Width</b>	Gauge wheel drive: 78" Rear roller drive: 60"	Gauge wheel drive: 99" Rear roller drive: 81"
<b>Seeding Width</b>	51"	72"
<b>Box Length</b>	48"	72"
<b>Empty Weight</b>	2" Spacing, Wheel Drive: 1290 lbs. 2" Spacing, Roller Drive: 1250 lbs. 3" Spacing, Roller Drive: 1220 lbs.	2" Spacing, Wheel Drive: 1645 lbs. 2" Spacing, Roller Drive: 1605 lbs. 3" Spacing, Roller Drive: 1565 lbs.
<b>Maximum Horse Power</b>	60	
<b>Driveline</b>	540 rpm; Heavy duty construction with slip clutch protection and fully shielded	
<b>Gearbox</b>	540 rpm input; Constructed of cast iron housing w/steel gears.	
<b>Gearbox Oil</b>	Gear Lube 80-90 EP	
<b>Roller Chain, (Knife Drive)</b>	#80 Roller Chain; adjustable	#100 Roller Chain; adjustable
<b>Chaincase, (Knife Drive)</b>	Fully enclosed oil bath style chain box with drain plug and vent plug.	
<b>Chaincase Oil</b>	Shell Alvania EP00	
<b>Rotor Diameter</b>	18"	
<b>Rotor Speed</b>	400 RPM	
<b>Knife Tip Speed</b>	2000 FPM	
<b>Knife Depth</b>	0"-1 1/2"	
<b>Knife Spacing</b>	2" or 3"	
<b>Number of Knives - 5 per flange</b>	115 knives on 2" spacing 80 knives on 3" spacing	170 knives on 2" spacing 115 knives on 3" spacing
<b>Knife Construction</b>	Straight knives: 3/16" thick high carbon, heat treated steel. Curved knives: 5/32" thick high carbon, heat treated steel.	
<b>Seed Box Construction</b>	Water tight box with wind guarded seed splash lid.	
<b>Seed Box Capacity</b>	4 bushels with paddle agitator	6 Bushels with paddle agitator
<b>Productive (3 1/2 mph)</b>	1.5 acres/hr. (broadcast)	2 acres/hr. (broadcast)
<b>Number of Seed Cups</b>	7	10
<b>Seed Cup Metering Construction</b>	Powder metal flutes with individual clean-out handles.	
<b>Seed Cup Drive</b>	Gauge Wheel Drive: Right hand driven with adjustable spring loaded down float. Rear Roller Drive: Rear roller driven to eliminate gauge wheels.	
<b>Seed Cup Agitation</b>	Chain driven paddle type agitators above seed cups.	
<b>Seed Settings</b>	Wide range of calibration settings per acre and per 1000 sq. ft.	
<b>Gauge Wheel Tires</b>	18 x 8.50 x 8 turf tires at 20 psi	
<b>Number of Packer Wheels</b>	22	31
<b>Packer Wheel Construction</b>	Notched 12" dia. cast iron rollers with corrugated scraper.	
<b>Hitch</b>	Category I: with 10" offset	Category I: Centered
	Fits Land Pride Quick-Hitch.	
<b>Optional Add-on Equipment</b>		
<b>Small Seeds Box</b>	One-Half Bushel capacity (.64 bu) with: <ul style="list-style-type: none"> <li>• Gauge Wheel drive Seed Cups</li> <li>• Rear Roller Drive Seed Cups</li> </ul>	One Bushel capacity (.96 bu) with: <ul style="list-style-type: none"> <li>• Gauge Wheel drive Seed Cups</li> <li>• Rear Roller Drive Seed Cups</li> </ul>
<b>Slit Seeder Attachment</b>	2" or 3" Spacing; Directs seed into the slits cut by the knives.	
<b>Tines</b>	Double Torsion, height and angle adjustable; Individual replacement.	
<b>Front Roller</b>	Full width, anti-scalping, depth control, with floating top link.	

*Designs, specifications, features and information are subject to change without notice.*

**Overseeders**



10473