

PATU III

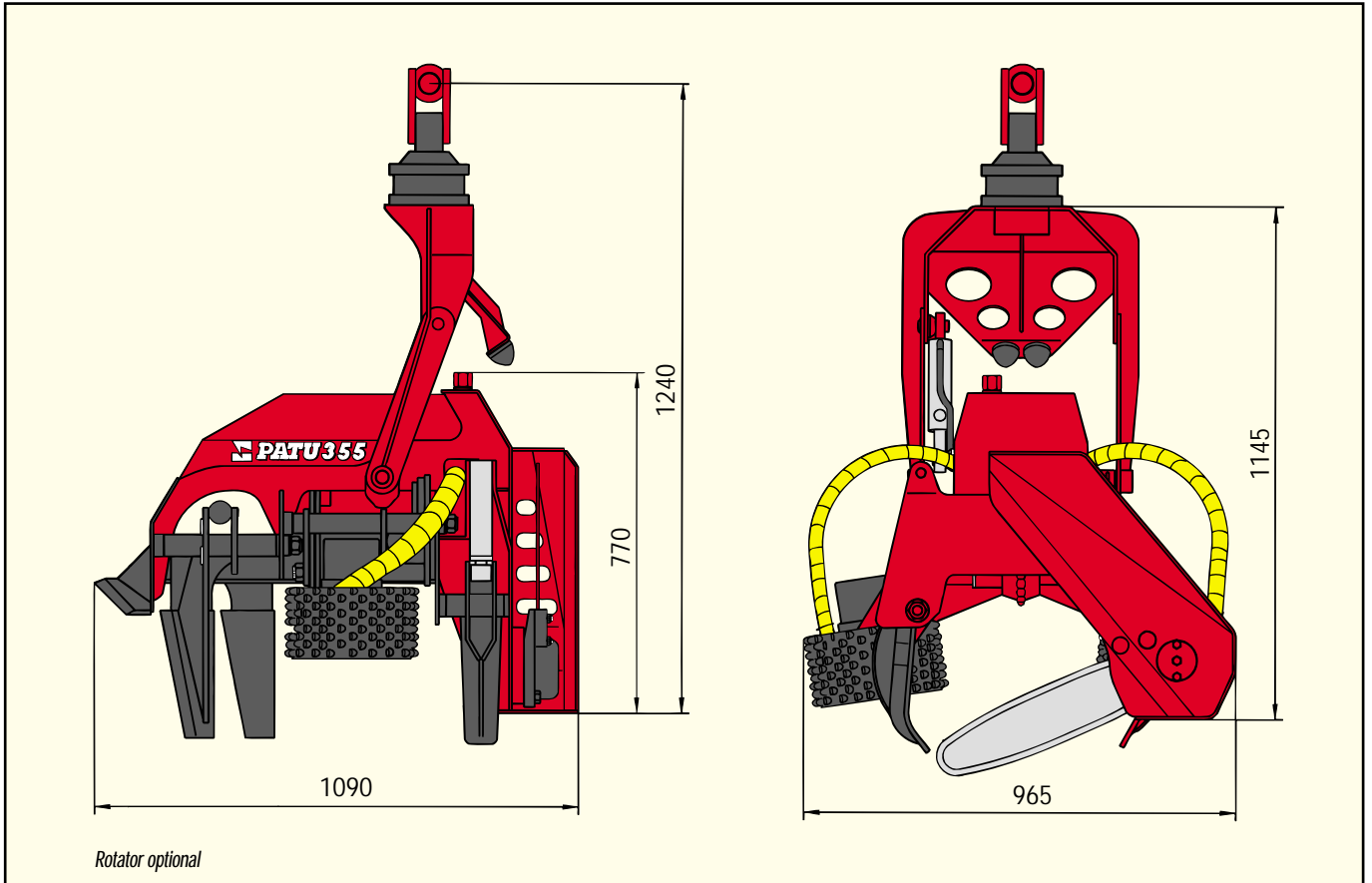
355 RH HARVESTER HEAD





PATU

355 RH HARVESTER HEAD



TECHNICAL SPECIFICATIONS PATU 355 RH

Felling diameter max.	40 cm (15 3/4")
Delimiting diameter max.	30 cm (12")
Delimiting power/220 bar (3100 PSI)	13 kN (1,3 t) (2900 lbs)
Delimiting speed/140 l/min (31 GPM imp.)	3,8 m/s (12 1/2 ft/sec)
Hydraulics	
- required oil flow	120 - 140 l/min (26-31 GPM Imp) (32-37 GPM US)
- required working pressure	200 - 220 bar (2800-3100 PSI)
Chain saw	
- chain/bar	.404"/16"
- chain speed	40 m/s (130 ft/sec)
- power max.	30 kW (41 hp)
Length	1090 mm (43")
Width	1040 mm (41")
Height	770 mm (30 1/2")
Weight	335 kg (740 lbs)
Voltage	12 V

All details are subject to change without notice. Listed values without obligation.

TECHNICAL SPECIFICATIONS PATU 140 PUMP UNIT

Pump	Variable displacement pump 71 cm ³ /rev
Oil flow max.	142 l/min (31,2 GPM imp., 37,6 GPM US)/540 r/min
Working pressure max.	250 bar (3550 PSI)
Oil reservoir	120 l net (26 gal imp. 32 gal US)
Length	830 mm (32 3/4")
Width	780 mm (30 3/4")
Height	800 mm (31 1/2")
Weight	340 kg (750 lbs)

All details are subject to change without notice.
Listed values without obligation.

Manufacturer:



P.O.Box 282
FIN-80101 Joensuu Finland
tel. +358 (13) 682841
fax +358 (13) 682 8300

Distributor:

Sales and service: