

# HYDRAULIC BLADE ASSEMBLY PARTS BREAKDOWN

MODEL NUMBER: 2004358

**Pour G25**

**2808**

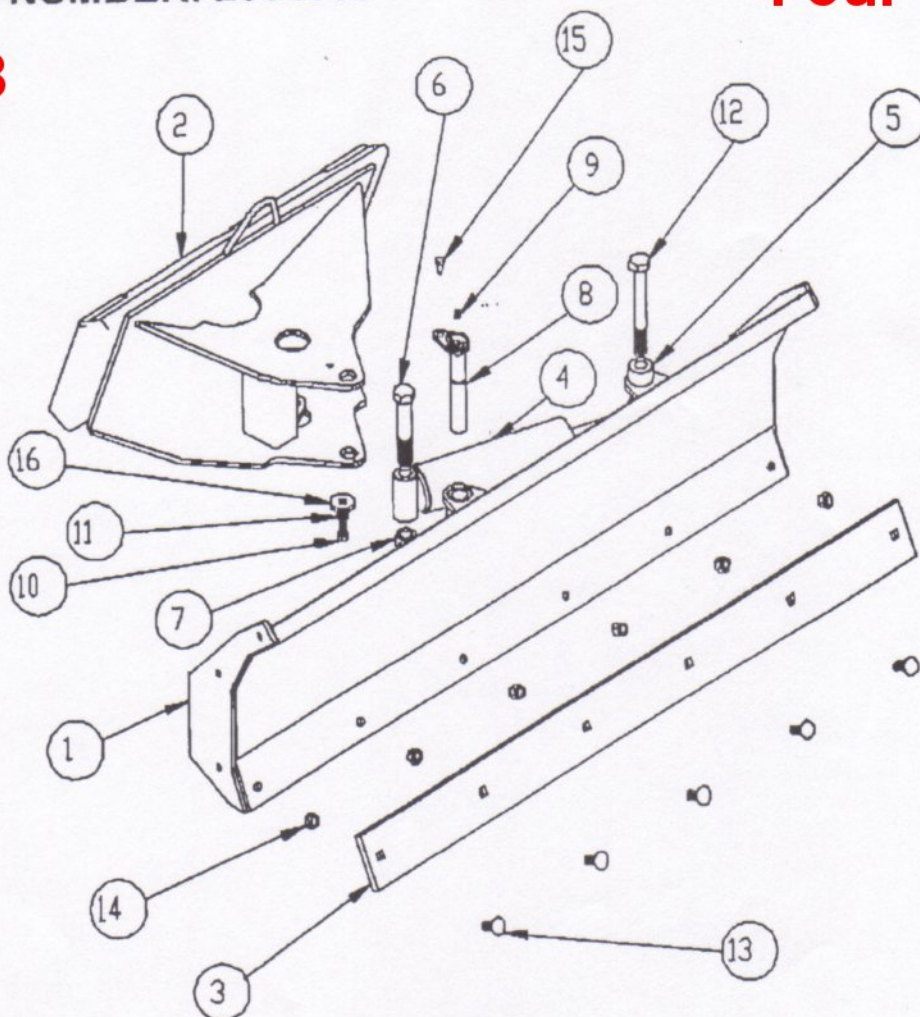


Figure 2

## HYDRAULIC BLADE ASSEMBLY PARTS LIST (2004358)

ITEM NO.	QTY.	PART NO.	DESCRIPTION	PART NO. (PAINTED)
1	1	2005140	BLADE WELDMENT	2005141
2	1	2005135	ATTACHMENT, PIVOT WELDMENT	2005136
3	1	2005075	BLADE ATTACHMENT	2005076
4	1	2001885	CYL., SG-13001 (BEST MET)	
5	2	2004391	COLLAR, CYL. SPACER	
6	1	2001878	BOLT, HEX G8 3/4-10 X 4-1/2	
7	2	2002319	NUT, STAMP 3/4-10 UNC	
8	1	2000706	PIN, HYD. BLADE PIVOT	
9	1	2000270	GREASE FITTING	
10	1	2001195	BOLT, 3/8-16 UNC X 1	
11	1	2001200	WASHER, LOCK 3/8	
12	1	2005950	BOLT, HEX G8 3/4-10 X 6	
13	6	2004420	BOLT, CARRIAGE 1/2-13 X 1-1/4	
14	6	2002315	NUT, STAMP 1/2-13 UNC	
15	1	2000365	SCREW, TAPPING .313-18 X .75	
16	1	2000072	WASHER, 1.5 X .453 X .25	

Please order replacement parts by PART NO. and DESCRIPTION.