

135/225

T H O M A S S K I D S T E E R L O A D E R S



T H O M A S S K I D S T E E R L O A D E R S



MODEL 225



Power to match any job

When you need big power without the big price tag, step inside the Thomas Model 225. No other skid steer loader in its class can match the power and performance of the Model 225.

The Model 225 provides 2,200 lb. (998 kg) of lifting capacity and 4,450 lb. (2018 kg) of breakout force. Meanwhile, the 90 hp (67.1 kw) turbocharged Kubota diesel engine gives you all the power you need to tackle the toughest jobs.

Power is transferred from the engine to the loader's hydrostatic pumps through a direct coupling that requires no regular adjustments or service. The heavy-duty #100 chain drive provides maximum traction and pushing power to the wheels.

The Model 225 comes complete with cab operated boom supports, an integrated parking brake, a three-point safety lockout system as well as a rear window and retractable seat belt. And the universal attachment system guarantees unlimited versatility on the job.

MODEL 135



Tough inside and out

Looking for a hard-working skid steer that won't break the bank? Check out the Thomas Model 135. It's built tough all around — like every Thomas skid steer — and features a powerful and reliable Kubota diesel engine rated at 43 hp (32 kw).

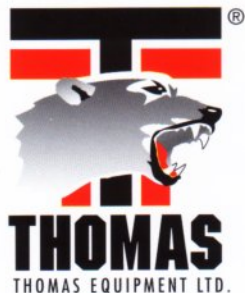
The Model 135 offers 1,300 lb. (590 kg) lifting capacity and 3,260 lb. (1479 kg) of breakout force so you can power through any job.

Power is transferred from the engine to the loader's hydrostatic pumps through a reliable and easily serviceable universal joint.

And it features a heavy-duty #100 chain drive for maximum power to the wheels.

The Model 135 comes complete with cab operated boom supports, an integrated parking brake, a three-point safety lockout system as well as a rear window and retractable seat belt. And the universal attachment system guarantees unlimited versatility on the job.

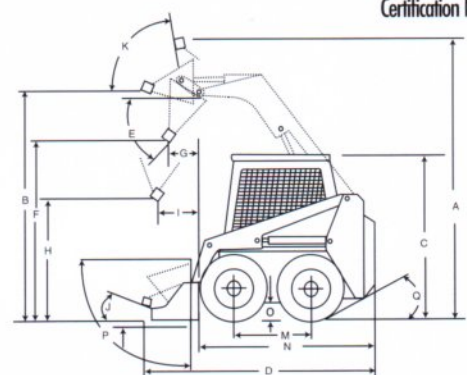
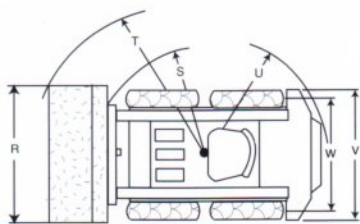
There's also a standard 12-month full machine warranty.



MODELS 135/225 SPECIFICATIONS



Certification No. 001330



THOMAS EQUIPMENT LTD.

P.O. Box 510, 29 Hawkins Road
Centreville, New Brunswick
Canada E7K 3G4

P.O. Box 336
Mars Hill, Maine
USA 04758

1-866-BE TOUGH
1-506-276-4511 (phone)
1-506-276-4308 (fax)
www.thomasloaders.com

PERFORMANCE

	135	225
Operating Capacity, kg (lbs)	590 (1300)	998 (2200)
Travel Speed, km/hr (mph)	10.0 (6.2)	10.0 (6.2)
Hydraulic Pump Output, l/m (gpm)	54.9 (14.5)	60.6 (16.0)
Breakout Force, kg (lbs)	1478 (3,260)	2018 (4,450)
Shipping Weight, kg (lbs)	1950 (4,300)	3318 (7,300)
Operating Weight, kg (lbs)	2177 (4,800)	3629 (8,000)

ENGINE

	Kubota	Kubota
Make	Kubota	Kubota
Model	V1903E	V3300T
Horsepower, gross (kw)	43 (32)	90 (67.1)
Torque, kg/m (ft lbs)	13.3 (96)	284 (205)
Displacement, cc (cu in)	1857 (113.3)	3318 (202.5)
Number of Cylinders	4	4
Rated Engine Speed, rpm	2800	2700
Cooling System	Liquid	Liquid
Fuel Type	Diesel No. 2	Diesel No. 2
Fuel Capacity, l (gal)	64 (16.8)	87.1 (23)
Engine to Pump Connection	Direct Coupling	Direct Coupling

ELECTRICAL

	12 Volt	12 Volt
Ignition	12 Volt	12 Volt
Battery, CCA	730	730
Alternator, amps	40	60

CONTROLS/DRIVE SYSTEM

Steering Controls	Two Hand Levers	Two Hand Levers
Hydraulic Controls	Two Foot Pedals	Two Foot Pedals
Transmission	Hydrostatic	Hydrostatic
Drive Chain Size	No. 100	No. 100

HYDRAULICS

	135	225
Hydraulic Pump Output, l/m (gpm)	54.9 (14.5)	60.6 (16.0)
System Relief pressure, bar (psi)	165.5 (2,400)	206.8 (3,000)
Number of Bucket Cylinders	2	2
Breakout Force, kg (lbs)	1478 (3,260)	2018 (4,450)
Boom Mounted Aux. Hydraulics Std.	Yes	Yes
Filtration	10 micron	5 micron
Hydraulic Oil Cooler, kj (btu)	111 (440)	1055 (1,000)
Hydraulic Reservoir Capacity, l (gal)	30.3 (8)	79.5 (21)

OPERATOR COMFORT & SAFETY

Seat Bar Activated Parking Brake	Yes	Yes
Work Lights - Standard	Yes	Yes
ROPS/FOPS Cab	Yes	Yes
Protective Seat Bar	Yes	Yes
Hydraulic Controls Lock (seat, seat belt & seat bar sensors)	Yes	Yes
Cab Operated Boom Supports	Yes	Yes
Loader Transport Tie Downs	Yes	Yes

DIMENSIONAL SPECIFICATIONS

A. Overall Operating Height, mm (in)	3480 (137)	3988 (157)
B. Height to Hinge Pin, mm (in)	2788 (109.8)	3145 (123.8)
C. Overall Height of Vehicle, mm (in)	1873 (73.8)	2134 (84)
D. Overall Length with Bucket, mm (in)	3213 (126.5)	3721 (146.5)
E. Dump Angle	37°	36°
F. Dump Height, mm (in)	2271 (89.4)	2459 (96.8)
G. Reach - Fully Raised, mm (in)	559 (22)	546 (21.5)
H. Height at 45° Dump Angle, mm (in)	1943 (76.5)	2040 (80.3)
I. Reach at 45° Dump Angle, mm (in)	654 (25.75)	643 (25.3)
J. Maximum Rollback at Ground	25°	20°
K. Maximum Rollback Fully Raised	96°	87°
M. Wheelbase, mm (in)	889 (35)	1138 (44.8)
N. Overall Length Less Bucket, mm (in)	2610 (102.75)	3035 (119.5)
O. Ground Clearance, mm (in)	165 (6.5)	229 (9)
P. Maximum Grading Angle Bucket	90°	88°
Q. Angle of Departure	26°	27°
R. Bucket Width, mm (in)	1524 (60)	1854 (73)
S. Clearance Front - Less Bucket, mm (in)	1200 (47.25)	1209 (47.6)
T. Clearance Front - With Bucket, mm (in)	1778 (70)	1938 (76.3)
U. Clearance Circle Rear, mm (in)	1549 (61)	1791 (70.5)
V. Overall Width - Less Bucket, mm (in)	1346 (53)	1798 (70.8)
W. Tread, mm (in)	1168 (46)	1486 (58.5)

Note: All Model 135 dimensions are with 10.00 x 16.5 tires and 1524 mm (60 in) bucket. All Model 225 dimensions are with 12.00 x 16.5 tires and 1854 mm (73 in) bucket.

Specifications and design are subject to change without notice. Specifications may vary depending on country.