



21 10 2004



21 10 2004



21 10 2004

**WIL-RICH  
STRIP-TILL ROW UNIT**

OPTIONAL DOWN PRESSURE  
SPRINGS (PR) - 100LB'S

7X7 TOOLBAR  
3/4NC U-BOLT

**SIDE VIEW**

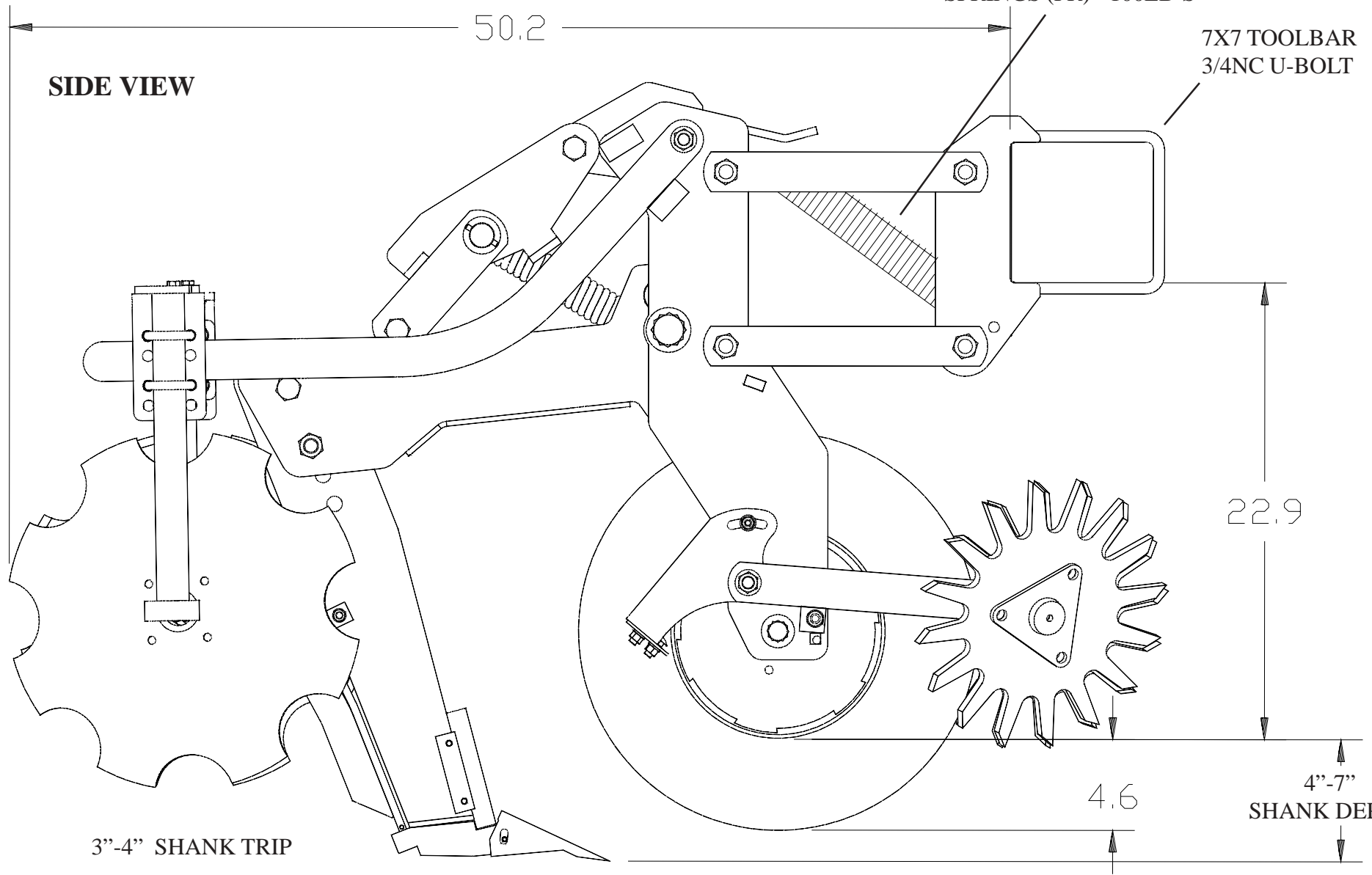
50.2

22.9

4.6

4"-7"  
SHANK DEPTH

3"-4" SHANK TRIP



**WIL-RICH  
STRIP-TILL ROW UNIT**

**TOP VIEW**

