

1 CONTENTS

| | | PAGE |
|----|---|-------|
| 2 | FOREWORD | 3 |
| | 2.1 THE SIGN OF CAUTION | |
| 3 | TECHNICAL SPECIFICATIONS | 3 |
| 4 | SAFETY PRECAUTIONS | 4 |
| | 4.1 GENERAL SAFETY | 4 |
| | 4.2 TRANSPORT AND SITE-CHANGING | 4 |
| | 4.3 MAINTENANCE AND REPAIRS | 5 |
| | 4.4 HYDRAULIC SYSTEM | 5 |
| 5 | LOCATION OF SAFETY DECALS AND COMPONENTS, SERIAL NUMBER PLATE | 6-7 |
| 6 | OPERATING ENVIRONMENT | 8 |
| | 6.1 OBJECT OF USAGE | 8 |
| | 6.2 APPLICATIONS | 8 |
| | 6.3 LIMITATIONS OF USE AND PROHIBITED USES | 8 |
| 7 | PRINCIPLE OF OPERATION | 8 |
| 8 | TRANSPORTATION, HANDLING AND STORAGE | 9 |
| | 8.1 TRANSPORTATION | 9 |
| | 8.2 HANDLING | 9 |
| | 8.3 STORAGE | 9 |
| | 8.4 SPECIFIC NOTES ON TRANSPORTATION SAFETY | 9 |
| 9 | TAKING A NEW MACHINE INTO USE | 10 |
| | 9.1 PREPARATIONS PRIOR TO OPERATING | 10 |
| | 9.2 DISCARDING THE EXPORT PACKAGING MATERIALS | 10 |
| | 9.3 ATTACHMENT TO A TRACTOR | 10 |
| | 9.4 PTO SHAFT | 11 |
| 10 | ADJUSTMENTS | 12 |
| | 10.1 KNIFE SETTING | 12 |
| | 10.2 ADJUSTMENT OF FEEDER MECHANISM SPEED | 13 |
| 11 | OPERATING | 13 |
| 12 | MAINTENANCE | 14 |
| | 12.1 CUTTING KNIFE SHARPENING | 14 |
| | 12.2 LUBRICATION | 14 |
| 13 | FAULT FINDING CHART | 15 |
| | 13.1 DEVELOPMENT OF FAULTS | 15 |
| 14 | TERMS OF WARRANTY | 16 |
| 15 | SCOPE OF RESPONSIBILITY | 16 |
| | SPARE PARTS SECTION | 17-31 |

2 FOREWORD

We thank you for your confidence in our product and also take this opportunity to wish you every success in your profession.

We would ask you to read and to memorize the operating hints and instructions outlaid in this manual. A full knowledge of the operation of the machine, together with correct adjustments and careful maintenance guarantee a full working safety and un-interrupted operation during busy working days.

It is of utmost importance that every aspect mentioned in this manual be fully understood and that the instructions are complied with without exceptions. If in doubt on any point, please do not hesitate to contact your dealer to clear it up.

We also hope that after acquainting yourself with the manual, you will take the trouble of returning the undersigned warranty certificate back to the manufacturer.



2.1 THE SIGN OF CAUTION

This symbol is used throughout the manual to denote operations where there is a risk of danger to the operator or any persons near the machine at the moment of carrying out the specified operation. The symbol is also used to denote any risk of danger which might befall environment or property.

3 TECHNICAL SPECIFICATIONS

| | | | |
|---------------------------------|-------------------|------------------------------------|--------------------------------------|
| Machine type | HJ 10 M | HJ 10 SLT | HJ 10 SL |
| Cutter flange dia. cm | 80 (32") | 80 (32") | 80 (32") |
| Cutter flange weight kg | 170 | 170 | 170 |
| Flange speed rpm | 540-1000 | 540-1000 | 540-1000 |
| No. of cutter knives | 4 | 4 | 4 |
| Chip size mm | 3 -15 (0.1-0.6") | 3 -15 (0.1-0.6") | 3-15 (0.1-0.6") |
| Stem dia. Max cm | 25 (10") | 25 (10") | 25 (10") |
| Cutting efficiency cu.m/h | 7-20 | 7-20 | 7-20 |
| Power requirement HP | 40-100 | 40-100 | 40-100 |
| Weight of basic model kg | 530 | 650 | 690 |
| Height in transport position cm | 275 (108") | 275 (108") | 275 (108") |
| Feed orifice size cm | 26 x 26 (10"x10") | 26 x 26 (10"x10") | 26 x 26 (10"x10") |
| Feed mechanism | Manual | Utilizing tractor hydraulic system | Utilizing self-contained hydr.system |

SPECIFICATIONS OF YOUR PARTICULAR CHIPPER:

Model _____
Serial No. _____
Year of manufact. _____



4 SAFETY PRECAUTIONS



4.1 GENERAL SAFETY NOTES

-**CLOTHING:** For the sake of personal safety use well-fitting clothing without any loose or hanging projecting sleeves etc. which might be caught in the running machinery.

-**OPERATING:** Before attempting to operate the machine, acquaint yourself fully with the attachment, controls and the operation of the machine.

-**CAUTION DECALS:** Always comply with all the cautions and instructions given on the various caution decals on the machine.

-**SAFETY EQUIPMENT:** The machine may only be used when all its safety shields and devices are in place and in a proper condition. For personal safety always wear a hard hat (a lumberjack type) plus hearing and eye protectors.

-**ATTACHMENT TO TRACTOR:** Take special caution when attaching the machine to or disengaging it from the tractor.

-**DRAWBAR LOAD:** Take into consideration the maximum allowed tractor drawbar and hydraulic hitch loadings.

-**PARKING:** Make certain that the machine cannot start to move by itself while parked between the working shifts.

-**SAFE DISTANCE:** Due to its operational principles, the machine has certain parts which cannot be fully safe-guarded. A safe distance must therefore be kept to these components while the machine is in operation. The operator must also take care not to allow any outsiders to approach these points on the machine.

-**OPERATIONAL NOTES:** While the machine is operating, no persons, except the operator, must be allowed to remain in vicinity of the machine.

1. Never enter the space between the tractor and the chipper when the chipper is being lifted up, lowered or moved about.
2. Never go below or climb onto the chipper which is being held up above ground and supported on the tractor hitch without proper supporting stands.
3. Before starting up the chipper, make sure that it is correctly attached and that all safety shields are in place and properly fitted.
4. Always ensure before starting to operate the machine that no outsiders remain within the operational area.
5. Check the condition of the machine always at the end of a working shift. Pay special attention to the mounting and attachment points.

4.2 RUN DOWN TIME



Junkkari HJ10 run down time is

- loaded 10 seconds

- without load 60 seconds

The noise level on the working site exceeds 85 db and for this reason always use hearing protectors.

4.3 TRANSPORTATION AND TRAFFIC RULES

1. Always comply with the highway rules when transporting the machine on public roads.
2. For transportation on public roads, always fit the chipper with any locally required safety accessories, such as additional rear lights, reflectors and SMV triangle.
3. Take care to note the allowed maximum axle weights, total weights and transporting dimensions of the combination.
4. All accessories and equipment used for moving the chipper (chains, drawbars, tie-rods (etc.)) must be attached and placed in such a way that any inadvertent movements cannot affect them in any manner when the machine is either operating or being transported.

5. The manoeuvrability of the tractor during any transportation and its steering or braking Characteristics may be affected adversely by trailed or hitchmounted implements or extra weights. It is therefore imperative to ensure that the tractor can be properly steered and braked down under all circumstances.
6. It is forbidden to carry passengers on top of a moving chipper.
7. The machine may be lifted only from points clearly marked for the attachment of a lifting hook.
8. Always use only approved lifting ropes or chains and always also check their condition before attempting a lifting operation.
9. If the machine is to be transported on a truck or a trailer bed make sure to use proper straps or chains to tie the machine.
10. If a fork lift or equivalent is used i.e. to load the machine on a truck, care must be taken to

4.4 MAINTENANCE AND REPAIRS

1. Before attempting any cleaning, lubrication, assembling or adjustment operations, always ensure first that the tractor PTO is disengaged and the engine stopped Remove the ignition key from the starter switch to prevent any accidental starting up of the tractor or the implement.
2. Use suitable blocks to make the machine securely immovable before commencing any maintenance operations on the machine.

4.5 HYDRAULIC SYSTEM

1. After having coupled the chipper's hydraulic system to the tractor hydraulic system outlets and started the engine, the chipper hydraulic system is pressurized by the high tractor system pressure. A burst of high pressure oil will penetrate the skin and may cause grievous bodily harm. A risk of injury exists even when looking for possible oil leaks.
2. Take extra care when handling any hydraulic components. Due to their nature there exists a risk of skin cuts or getting fingers bruised between binding components.
3. When coupling the tractor and chipper hydraulic hoses together, the hydraulic systems of both units must be non-pressurized.

PROTECTING ONESELF AGAINST OIL AND GREASE

1. Always wear suitable protective clothing and oilresistant gloves when handling oil or grease.
2. Avoid skin contact with oil or grease as this may lead to skin damage.
3. Never use oil or grease for cleaning any part of your skin. These substances may contain minor metallic particles which may cause scratching of hands, further aggravated by the action of the oil.
4. Always comply with the handling and safety instructions given by the oil or lubricant manufacturer.
5. Synthetic oils tend to be corrosive in many cases and cause intense irritation of the skin.

WASTE OIL

1. Collect all of any used oil and take it to a hazardous waste disposal centre or collection point to be duly disposed of as required by national regulations.

ACCIDENTS

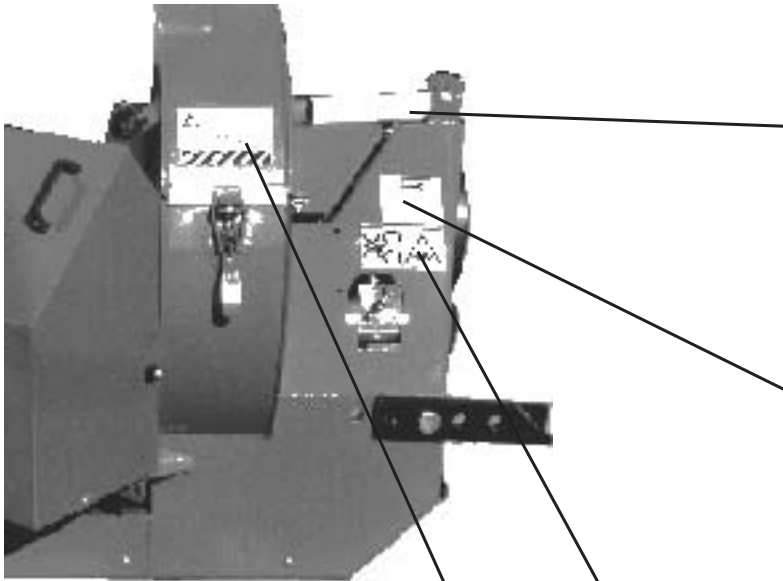
1. Should any oil be spilled on ground its spreading into the soil must be stopped and the oil removed e.g. by using peat to absorb the oil.
2. If any skin damage occurs while handling oil or lubricant call on a doctor immediately.

NOTE THAT THE MACHINE IS MEANT TO BE OPERATED BY A COMPETENT OPERATOR. THUS, THE USE OF THE MACHINE REQUIRES SUFFICIENT KNOWLEDGE AND SKILL.

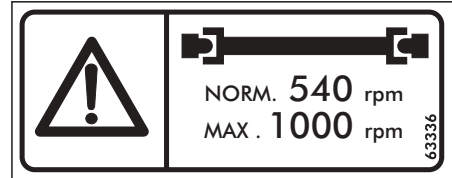




5. SAFETY DECALS AND COMPONENTS AND SERIAL NUMBER PLATE



MAX. ROUNDING SPEED

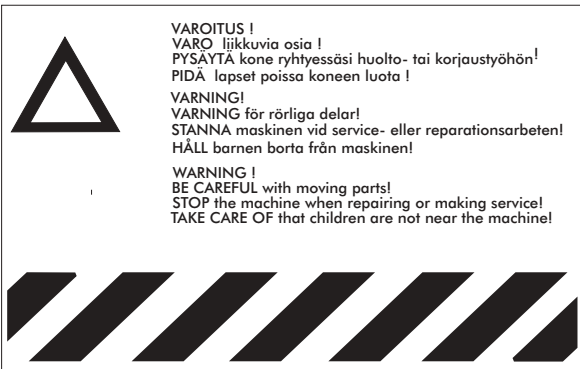


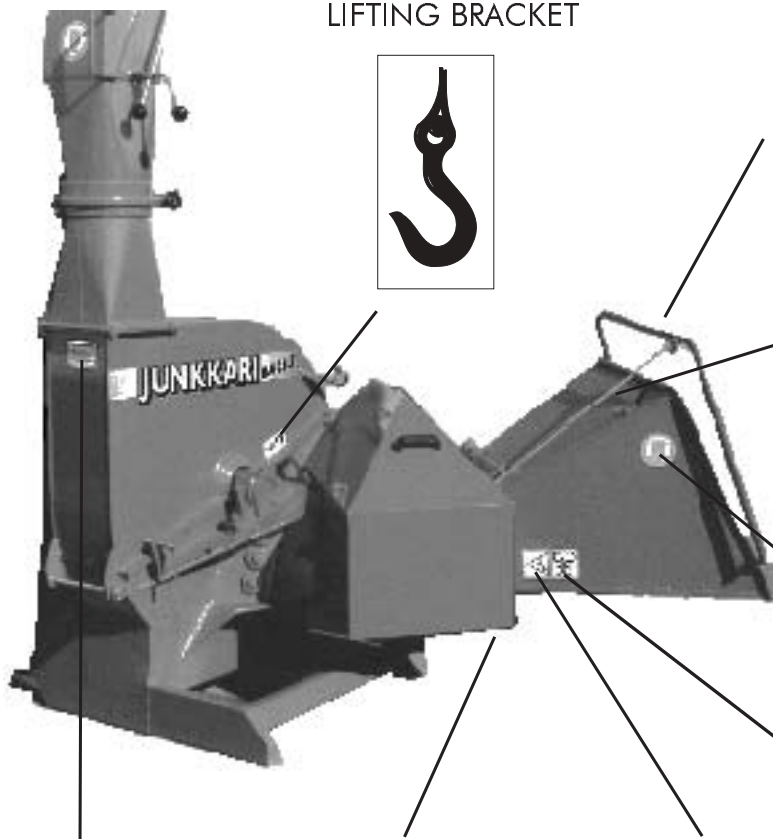
ÄLÄ AVAA SUOJIA KONEEN KÄYDESSÄ!

ÖPPNA EJ SKYDD NÄR MASKINEN ÄR I GÅNG!

DON'T OPEN THE COVER WHEN THE MACHINE IS RUNNING!

BEWARE OF THE DRIVE SHAFT

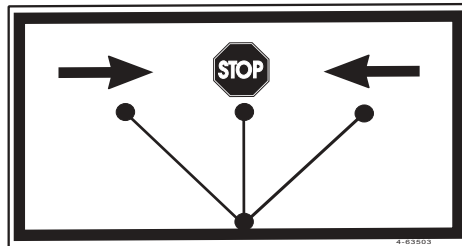




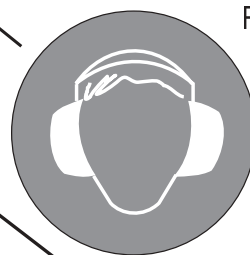
LIFTING BRACKET



FEED MECHANISM
STARTED AND
EMERGENCY STOP
HANDLE



USE EAR
PROTECTOR



BEWARE OF THE FEED ROLLERS THE AREA OF DANGER IS 20 m FOR SPRAYING DIRECTION

5.1 SERIAL NUMBER PLATE

SERIAL NUMBER PLATE

1. Manufacturing year within the EC
2. Machine model
3. Serial number and year model
4. Nominal weight without accessories

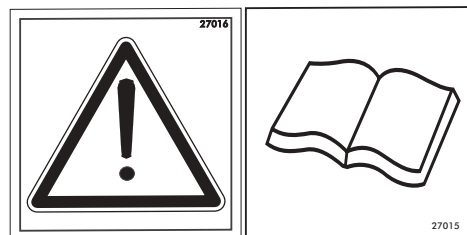
JUNKKARI OY5
62375 YLIHÄRMÄ FINLAND

PUH. 964-4835 111
PHONE +358 64 4835 111
FAX. +358 64 4846 401
FAX. 964-4846 401

TYYPPI TYPE: **2** SARJANO: SER.NR.: **3** KG: **4**

4-573335

OPERATING INSTRUCTIONS
AND SPARE PARTS BOOK



6. OPERATING ENVIRONMENT

6.1 OBJECT OF USAGE

The purpose of a chipper is to produce chips from trees, which due to their diameter and other measurements are suitable for feeding into the chipper's feed orifice. The in-fed material must be clean. Dust, sand or soil ingredients accelerate wear on the knives very quickly. Metal bits, nails e.g., cause denting of the knives. Any large metal pieces may severely damage the chipper.

6.2 APPLICATIONS

If the chipper is intended to be used for chipping down cardboard rolls, plastic piping or hard boarding panels, please contact your dealer before commencing this kind of activity.



6.3 LIMITATIONS OF USE AND PROHIBITED FORMS OF USE !



LIMITATIONS OF USE

- *Limitations regarding the machine operator*

The machine operator must not be under the influence of intoxicating substances, alcohol or strong medication.

In cases of ill health or permanent disability the doctor in charge should be consulted for permission to operate the machine.

Use of the chipper is prohibited for persons without the sufficient knowledge and skill required to operate the machine and for persons under the age of 18 years.

- *Prohibited forms of use*

The chipper must not be used within any areas reserved for the conservation of nature.

The machine must not be used for spreading liquids, inflammable materials, sand or equivalent non-fibrous materials.

Avoid using the machine in areas where its use could cause inconvenience to its surroundings due to excessive noise or spreading of dust.

Chipping of highly inflammable materials is absolutely forbidden.

7 PRINCIPLE OF OPERATION

A chipper model not fitted with a feed mechanism operates on the principle that, while chipping the stem or other wood material, the chipping knives mounted on the rotating chipping flange draw in the material automatically. The feeding speed depends on the knife setting as follows: A short knife setting results in a small chip size and a slow intake speed - a wide knife setting results in a large chip size and consequently in a high intake speed. The chips produced by the action of the knives are ejected through the knife flange orifices to the blower fan and out of the machine through the discharge spout.

In chipper models, which are equipped with a feed mechanism, the intake of material is power-assisted by a set of feed rollers driven by hydraulic motors. The motors in turn are driven by pressurized oil either from the tractor hydraulic system or a self-contained, independent hydraulic system via a control valve. The feed control lever has 3 positions: Feed, stop and reverse.

8 TRANSPORTATION, HANDLING AND STORAGE

(DISTRIBUTOR/DEALER)

8.1 TRANSPORTATION

1. Terms of delivery is free at the factory gate unless other terms are mutually agreed upon.
2. The Distributor shall agree with the Manufacturer on the date upon which the product in question is ready for delivery at the factory.
3. The Manufacturer shall take care of the loading of the product onto the goods vehicle arranged to fetch the product.
4. For the duration of transportation from the factory to the Distributor's premises all responsibility of the product shall lie with the forwarding agent.

8.2 HANDLING

1. The product must be handled with such care as is normal when handling agricultural or forestry machinery without causing the product any damage.
2. No other products may be loaded on top of the machine transportation crate.
3. The product is delivered well-packed from the factory.

8.3 STORAGE

1. The chipper is to be stored in its normal working position and protected against sunlight and rain.
2. Should the machine be left standing outdoors for any period of time without proper protection, it should be inspected from time to time and any rainwater accumulated on top of the machine drained away.
3. For long periods of storage always store the machine indoors under shelter.

8.4 SPECIFIC NOTES ON TRANSPORTATION SAFETY



1. It is prohibited to lift the machine from any other points than those clearly marked for lifting by decals.
2. Make certain that the crane or equivalent used for the lift has sufficient capacity and is safe enough for the job and that no risk of overturning or falling down occurs.
3. Use only approved ropes or chains for lifting.
4. The chipper must not be lifted up resting on the forks of a fork lift truck, only ropes or chains are suitable for any lifting operations.
5. Always check the condition of lifting ropes or chains prior to any lifting attempt.
6. If during a lifting operation the machine is to be laid down resting on its side or lifted up to rest on its wheels the lifting ropes or chains must be kept tight to prevent any accidental swaying of the machine in order to avoid dangerous situations.
7. If using a lifting crane, always check the lifting radius.
8. The chipper must be securely tied down to the platform for the duration of transportation.

9. TAKING A NEW MACHINE INTO USE

9.1 PREPARATIONS PRIOR TO OPERATING

A new machine must be brought into a proper operating condition by the operator prior to the machine's first use. If the chipper is delivered with its discharge spout independently packed, the attach the spout to the machine as follows: Place the spout on its mountings in such a manner that the guide lug on the spout lines up with recess in the mounting adaptor. Secure the spout in its place by means of the enclosed split clamp and its knurled nut. Turn the nut until it is tight.

When taking the chipper into use make sure that all the safety panels are in place, that no foreign matter is left inside the feed orifice and that the disc rotates freely. Before connecting the machine and its drive to the tractor check the instruction manual notes on the PTO shaft and proceed accordingly. Only after observing these points may the chipper be coupled to the tractor.

9.2 DISCARDING PACKAGING MATERIALS

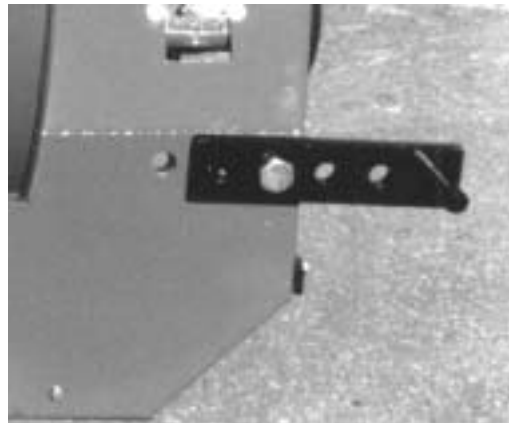
The wooden and cardboard packaging materials may be disposed of by burning or taking them to a dump site. The polyethylene bags and plastic cords should be disposed of either by recycling them according to national regulations or by taking them to a dump site.

9.3 ATTACHMENT TO A TRACTOR

The chipper is designed for attachment to tractors equipped with category 1 or 2 lower links (i.e. either with 22 or 28 mm attachment pins).

In the delivery condition the chipper's mounting links have been raised into vertical positions. They must be lowered down and secured in the position as shown in the accompanying figure on the right. The length of the mounting links can be adjusted by the set of alternative attachment holes in the links.

The tractor lower links and the top link are attached to the chipper mounting points in the normal manner and the lower links secured in their centre position by means of their stabiliser.



TRACTOR PTO

The starting of the chipper should be made smoothly on low rpm due to the large rotating masses inside the chipper. During operation, the chipper cutting flange speed must be kept within the range of 540-1000 r.p.m. The universal drive shaft has been discussed separately in the chapter titled "PTO SHAFT".

HYDRAULIC SYSTEM

The M chipper model HJ 10 M and HJ 10 SLT do not require SL use of the tractor hydraulic system as the model has no actual feeder mechanism and the model features its own independent hydraulic circuit for its feeder mechanism drive, which in turn is driven by a set of Vee-belts from the chipper knife flange shaft.

The HJ 10 SLT model requires, hydraulic oil from the tractors hydraulic system 1.3 - 5 gal./min (5 - 20 L/min) and a single control valve, fitted with single pressure and return connectors for its operation.



9.4 PTO SHAFT



TYPE OF PTO SHAFT

The universal drive shaft should have the capacity of transmitting power at a rate of 67 kW at a nominal speed of 540 rpm and to sustain a torque of 1300Nm. The shaft should be fitted with overload and ratchet clutches. A suitable drive shaft is, for example, EG T60 0610 CE 112 RF42 NR overrunning, or Walterscheid 2400 SD25-610- FK96.

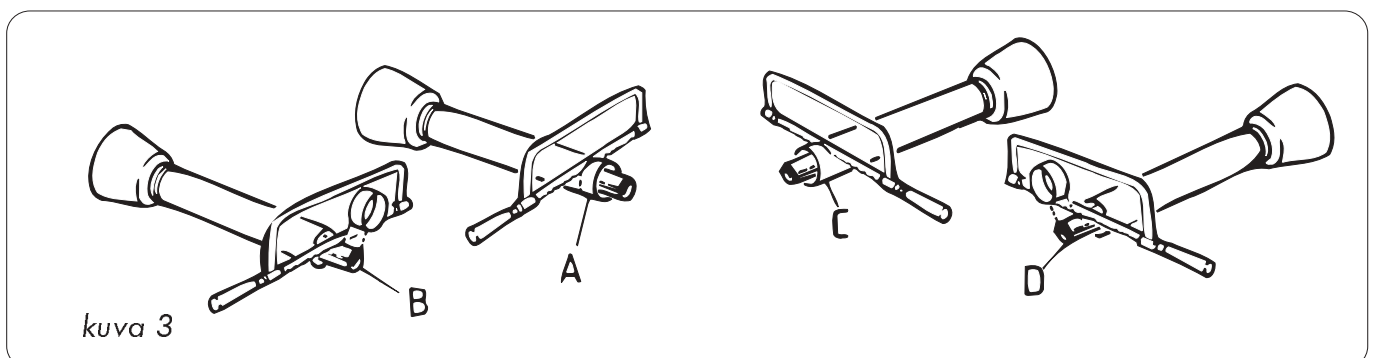
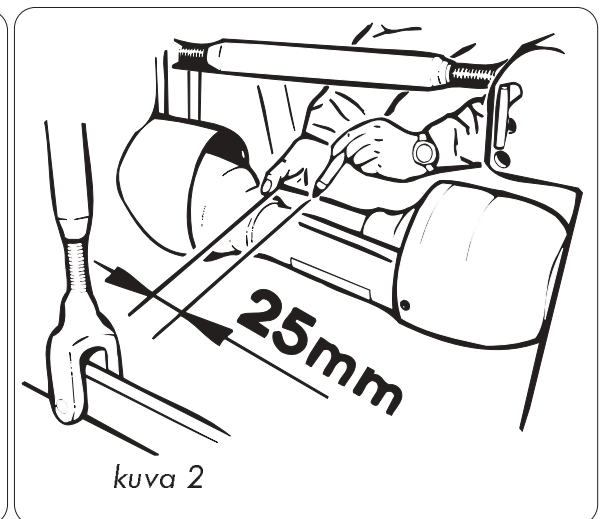
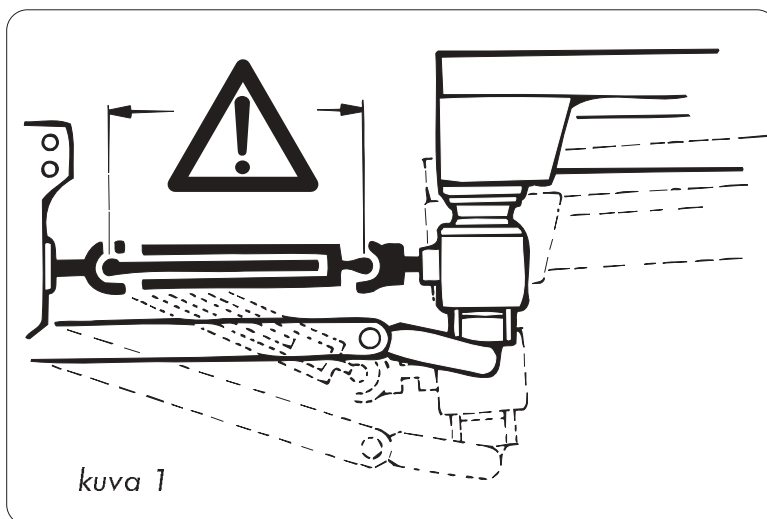
PTO SHAFT LENGTH

The drive shaft must be of correct length for the application for the sake of operator safety, the mechanical durability of the shaft itself and its operational characteristics. The splines of the sliding tubes must overlap at least by 100 mm (4"). Too long a shaft will bottom causing the shaft to get damaged. With too short a shaft the two halves may get separated from each other when lifting the implement on the tractor hitch. This could lead even to grave consequences.

Too small an overlap also reduces the shaft's capacity to transmit the required power and thus may lead to mechanical damage to the shaft itself.

SHORTENING A PTO SHAFT

1. The shortest operational length of the shaft is determined by lifting the machine on the tractor hitch (see Fig.1).
2. A 25 mm (1") free play should be left on the shaft and marked on the shaft circumference (see Fig.2).
3. Using a hacksaw, saw off equal lengths from inner and outer tubes and shields of both Shaft halves (see Fig.3).
4. Remove cutting burns with a file and make clean all tubes.
5. Grease the shaft tubes thoroughly before fitting the shaft in place.



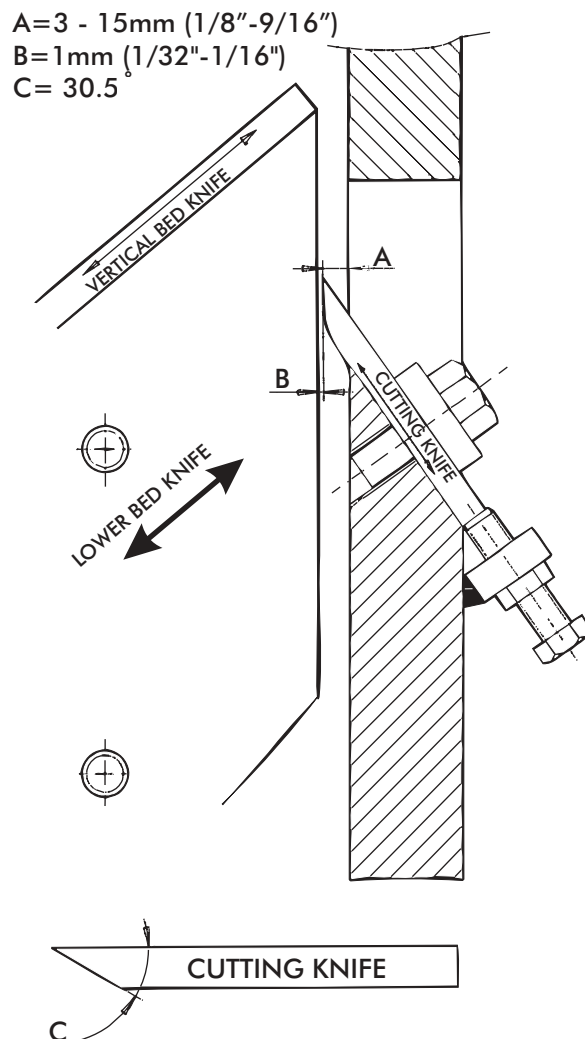
10 ADJUSTMENTS

PLEASE READ THESE INSTRUCTIONS VERY CAREFULLY AS THE MOST IMPORTANT POINT IN THE OPERATION OF THE CHIPPER IS THE CONDITION OF THE KNIVES AND THEIR CORRECT ADJUSTMENT.

10.1 ADJUSTMENT OF KNIFE SETTINGS

The knife setting may be adjusted within the range of 3 to 15 mm. The smaller the setting, the smaller the chips the chipper produces. On the other hand, the knife setting affects the intake speed in the manner that a larger knife setting results in a faster and better intake of material.

To adjust, loosen the knife attaching screws (3 ea) and the locking screws (2 for each knife). Open the bed knife attaching screws and pull out both bed knives towards the feed chute. Move one cutting knife into a required position on the disc (measurement 'A'). Tighten down both the attaching and locking screws of the knife in question. Move the bed knives correspondingly to leave a free gap of 1 mm (measurement 'B') between the knife and the bed knife. Tighten down the counter-blade attaching screws. Proceed to adjust the remaining 3 cutting knives bringing each one in turn to the adjusted bed knife and adjusting each knife to leave the 1 mm gap ('B') between each knife and the bed knife. Finally tighten down all knife and bed knife attaching screws to a tightness of 200 Nm (145 lbft). Rotate the disc by hand to ensure that the cutting knives do not make contact with the bed knives and that the gap ('B') between the knives and bed knives equal (1 mm) for each cutting knife. Finally, tighten down the cutting knife locking screws against the rear edge of each knife to a 30 Nm (22 lbft) tightness.



10.2 FEED RATE ADJUSTMENT

The rotational speed of the feed rollers in chipper models HJ 10 SL and HJ 10 SLT must be synchronized with the cutting speed of the cutting knives. If the feed roller rpm is too high in relation to the knife cutting speed, the roller tend to dig into the stems being fed in. If the feed roller speed has been set too slow, the feed becomes jerky.

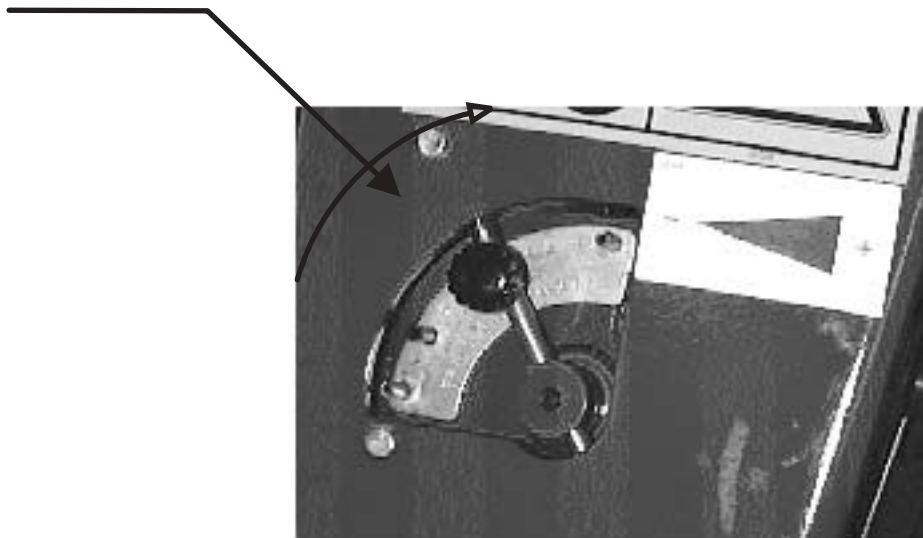
The adjustment is to be started with low feed roller rpm. At this stage, the cutting knives tend to pull out the stem from between the feed rollers. The feed mechanism speed is then slowly increased until it synchronizes with the cutting knife setting in use and the feed remains smooth.

ADJUSTMENT

The feed speed adjustment is carried out by first loosening the locknut 'A' and moving the adjusting lever 'B' to the end of the adjustment range. A stem is the fed into the chipper for chipping down and the potential variation between the speeds of the feed mechanism and the cutting knife action is observed. If the feeding speed is too slow, increase the speed by moving the adjustment lever towards the fast end of the range. Repeat the adjustment as necessary. When the synchronization is correct, screw in the locking nut 'A' tightly.

HJ 10 SLT/ HJ 10 SL

LOCKNUT A and ADJUSTING LEVER B



11. USAGE

The HJ 10 chipper is primarily designed for handfeeding.

The material to be chipped should, when need arises, be first pre-treated so that all heavy tree branches or off-shooting main roots etc. should be removed in order to adapt the stem into the dimensions of the feeding orifice.

It is a recommended practice to arrange the material alongside the chipper in such a way that there is little need to carry any of it over other than the minimum distances. In this way the working efficiency remains as high as possible and additionally a solid flow of material will produce the best quality chips.

12 MAINTENANCE



READ THE SAFETY INSTRUCTIONS CAREFULLY



12.1 SHARPENING THE CUTTING KNIVES

The cutting angle of factory-new cutting knives is 30.5°. This is the optimum angle which should always be used when re-sharpening the knives. A smaller angle will result in chipping in the knife edges, while a greater angle will reduce the knife edge's clearing angle causing a reduction in the ability of the knives to draw in the material.

Note that the cutting knives must not be allowed to heat up during the sharpening process as the knives will otherwise lose the hardness acquired by their heat-treatment. The knives should therefore be sharpened solely by grinding. When grinding, care should also be taken to sharpen all knives by equal amounts, so that the overall balance of the knife flange is retained.

As a rule, there is normally no need to sharpen the bed knives. Their cutting edges may, however, be rounded off if the intaken material includes substances that are harder than wood (nails, sand etc.). A blunted bed knife can be re-sharpened with e.g. an electric hand-grinding machine. In the main, the bed knives should remain maintenance-free.



DISC SAFETY LOCK

All JUNKKARI chippers are fitted with a safety lock for securing the cutting flange immobile while carrying out any maintenance work on the cutting knives.

12.2 LUBRICATION

Following lubrication operations should be carried out at the intervals of the cumulative operating hours given in the tables.

Disc shaft bearings (2 ea):

Remove the bearing upper housing and fill in
with lubricating grease 50 h

Feed mechanism bearings (2 ea) 50 h

Hydraulic system (HJ 10 SL)

First oil change 10h

Subsequent oil changes 50h

First oil filter changes 50h

Subsequent oil filter changes 50h

Hydraulic oil: MOBIL DTE 13 or equivalent

System oil capacity: 28 litres (6.2 gal Imp., 7.4 gal US)

13. FAULT FINDING CHART

| FAULT | CAUSE | REMEDY |
|--|---|--|
| The chipper does not draw in material | Dull knives Knife cutting angle faulty Knife fitted the wrong way round | Sharpen and refit as per instructions given in the manual |
| Uneven chip size | Knife gap ('B') too large Single lengths of wood turn side-ways after passing the feed rollers | Adjust as per instructions given in the manual |
| The discharge spout gets blocked | Too low rpm | Raise the rpm to within the speed range of 540-1000 rpm |
| Power requirement excessive on the tractor | Tractor hp too small Knife setting too large ('A') | Reduce the cutting knife setting or remove the opposite blades |
| Ingoing material produces excessive vibrations | Feed rollers not properly synchronized | See the notes on synchronization of the feed rollers |
| | | |
| | | |

13.1 DEVELOPMENT OF FAULTS

The normal wear taking place in the chipper proceeds in a safe fashion without producing any risks of danger. In practice, the only wearing chipper parts are the cutting knives. Should a situation occur where excessive bearing play is observed, the adjustment of such a condition should be left to be remedied by a competent fitter.

14 TERMS OF WARRANTY

TERMS OF WARRANTY:

1. The manufacturer warrants the product for a period of 12 (twelve) months in agricultural use and used in the purpose to which the product is intended.
2. In communal, industrial, contract work or equivalent the warranty period is 6 (six) months.
3. The warranty period commences on the date an authorized Distributor/Dealer delivers a new machine to the customer.
4. The warranty covers any defects in workmanship or in raw materials. The faulty parts shall be renewed or replaced by reconditioned parts either at the factory or at the premises of an authorized repair shop in contractual relation with the factory.
In the case of subcontracted components, the warranty will be covered by the terms given by the suppliers of such products.
5. A warranty repair does not prolong the length of the warranty period.
6. The warranty does not apply in cases, where the damage has been caused by improper use of the product against the instructions given in this operator's manual or arising from negligent maintenance, overloading or normal wear. Further the warranty does not apply to any subsequential damages caused by the original failure nor cover any costs occurred by downtime, travelling expenses, freights, daily allowances, overtime or any modifications, which alter the original design in any way.

In warranty-related cases please contact your Distributor/Dealer for preparing a warranty claim on the failure. Before taking any corrective action to repair the fault, the manufacturer must be contacted to assess the repair method and the costs occurring thereof.

The Warranty is only applicable if the properly warranty certificate is returned to the manufacturer within 14 (fourteen) days from the date of delivery of the product.

15. SCOPE (EXTENT) OF RESPONSIBILITY

The manufacturer shall not be responsible for any consequences arising from the use of the product (Patu Chipper) in a manner contrary to law, safety regulations or instructions out-laid in this manual. As situations may occur during the use of the product not foreseen in instructions or regulations, the operators are advised to act according to general safety regulations and directives on (farm) machinery.

The manufacturer shall not be liable for any damages due to the use of components produced by other manufacturers.

The manufacturer shall not be responsible for any damages which may incur other machinery or equipment from the use of the chipper.