

PARTS LIST INDEX

3400

ROW UNIT

15" Seed Opener Disc Blade/Bearing Assembly And Seed Disc Scrapers	P5
Brush-Type Seed Meter	P15
Coulter Mounted Residue Wheels	P26
Covering Discs/Single Press Wheel	P8
Drag Closing Attachment	P11
Finger Pickup Seed Meter	P14
Frame Mounted Coulter W/Disc Furrower	P28
Gauge Wheels	P6
Granular Chemical Banding Options	P19
Granular Chemical Hopper And Hopper Panel Extension	P16
Granular Chemical Meter And Meter Drive	P18
Hopper Support And Meter Drive	P12
Row Unit Mounted No Till Coulter	P21
Parallel Arms, Mounting Support Plate And Quick Adjustable Down Force Springs	P4
Row Unit Mounted Disc Furrower	P22
Row Unit Mounted Residue Wheel	P24
Seed Hopper And Lid	P13
Shank Assembly, Seed Tube And Depth Adjustment	P2
Spring Tooth Incorporator	P20
"V" Closing Wheels	P10

BASE MACHINE

Axle And Transport/Ground Drive Wheel Assembly	P44
Center Pivot	P42
Check Valve	P69
Contact Drive Wheel Assembly	P46
Cylinders	P55
Driveline	P48
Electrical Components	P72
Flow Control Valve	P69
Frame Lift Linkage	P40
Hitch	P32
Hitch Extensions	P36
Hydraulic System	P70
Junction Block - Located On Front Of Center Pivot	P66
Marker Assembly	P52
Marker Spindle/Hub/Blade	P54
Planter Frame	P38
Safety Chain	P32
Solenoid Valves	P68
Transmission	P50
Transport Latch Post	P34
Valve Block - Located On Hitch	P65
Valve Block - Located On Rear Center Frame	P67

ELECTRONIC SEED MONITOR

KPM I/KPM II Electronic Seed Monitor	P74
--	-----

INTERPLANT®

Interplant® Push Row Unit	P30
Interplant® Driveline	P76

FERTILIZER

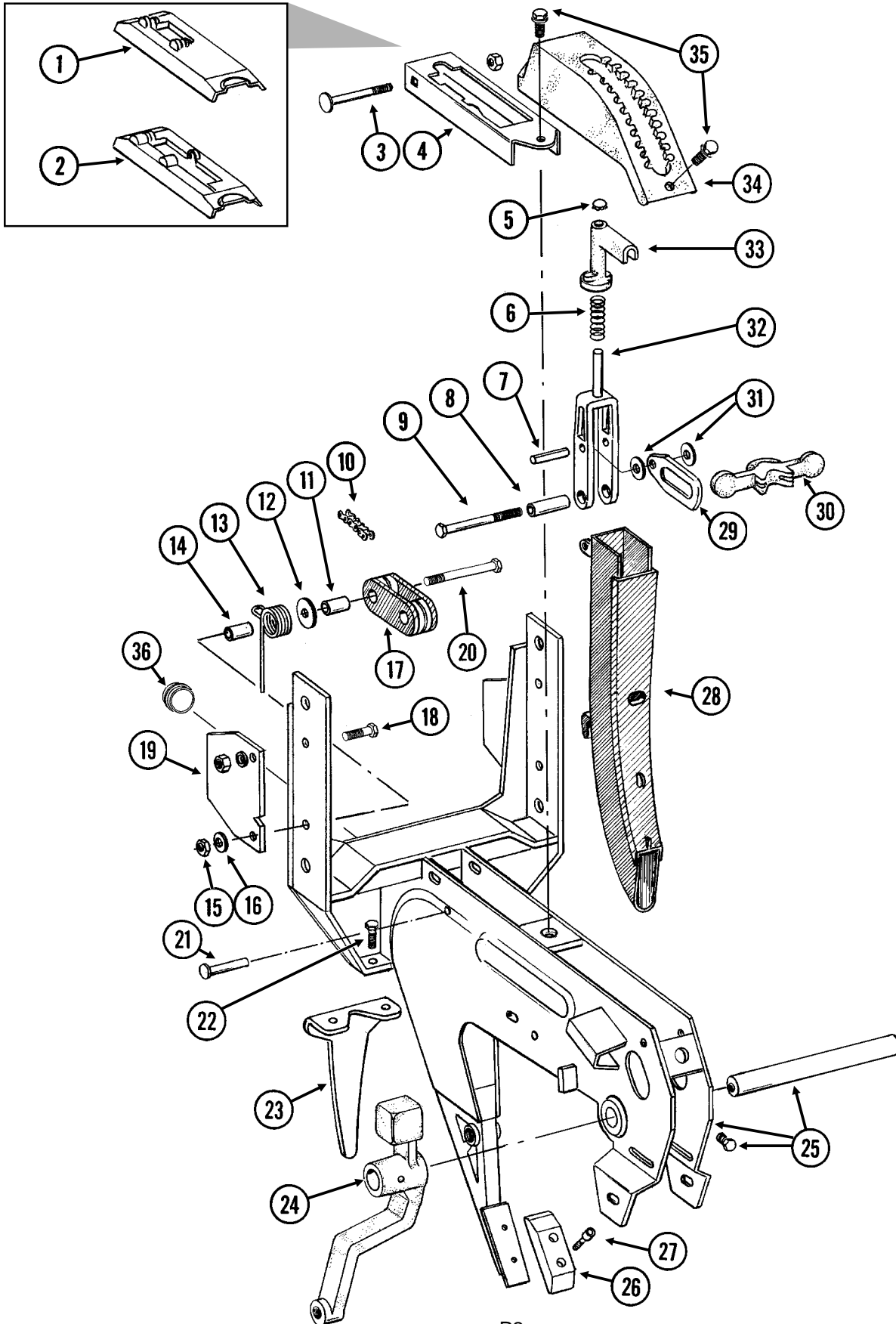
Fertilizer Openers And Mounts	P78
Liquid Fertilizer	P82

SMV Sign, Decals, Reflectors And Tie Straps	P94
---	-----

Numerical Index	a
-----------------------	---

SHANK ASSEMBLY, SEED TUBE AND DEPTH ADJUSTMENT

RUB023/RUB024RUB022(RU80i)

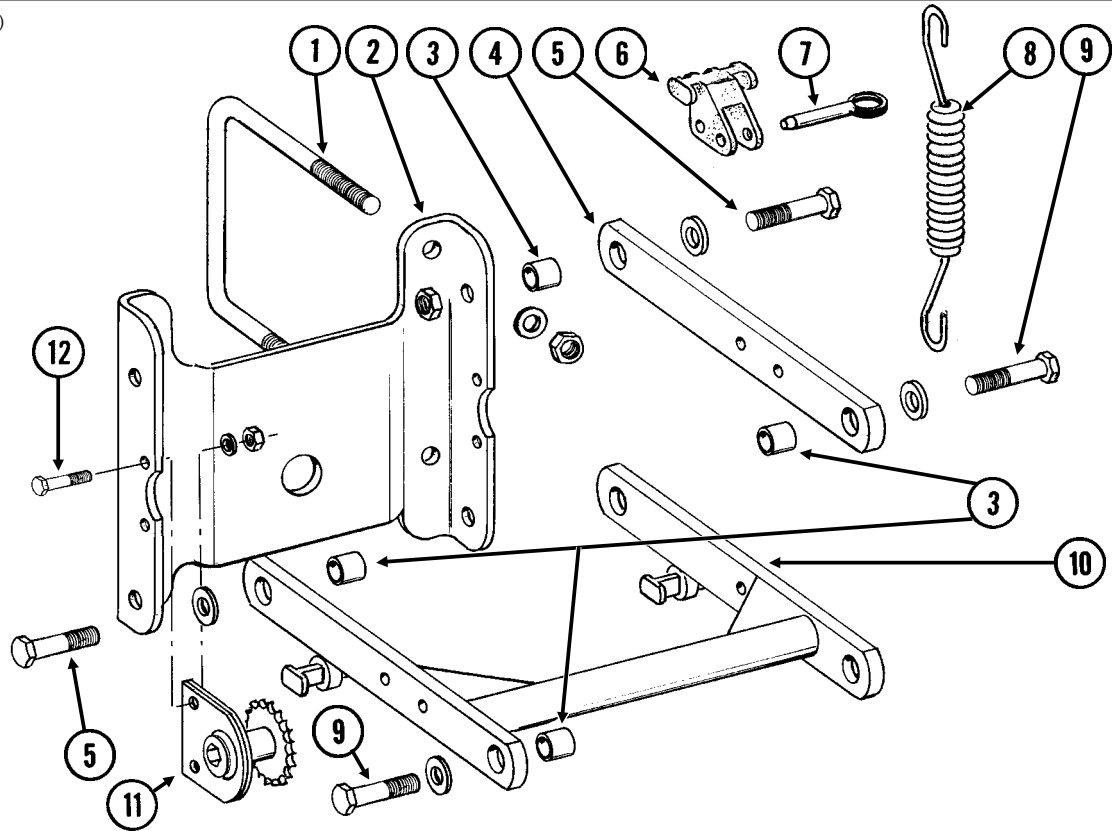


SHANK ASSEMBLY, SEED TUBE AND DEPTH ADJUSTMENT

ITEM	PART NO.	QTY. (Per Row)	DESCRIPTION
1.		-	Shank Cover, See "Brush-Type Seed Meter", Page P15
2.		-	Shank Cover, See "Finger Pickup Seed Meter", Page P14
3.	G10304	1	Carriage Bolt, $\frac{3}{8}$ "-16 x 3"
	G10108	1	Lock Nut, $\frac{3}{8}$ "-16
4.	GD10986	1	Cover
5.	GD3612	1	Cap Plug
6.	GD10993	1	Spring
7.	G10489	1	Spring Pin, $\frac{3}{8}$ " x 1 $\frac{1}{2}$ "
8.	GD11259	1	Sleeve, $\frac{3}{8}$ " I.D. x $\frac{5}{8}$ " O.D. x 1 $\frac{25}{32}$ " Long
9.	G10049	1	Hex Head Cap Screw, $\frac{3}{8}$ "-16 x 2 $\frac{1}{2}$ "
	G10108	1	Lock Nut, $\frac{3}{8}$ "-16
10.	G3303-98	1	Chain, No. 41, 98 Pitch Including Connector Link
	GR0196	1	Connector Link, No. 41
11.	GD1026	1	Sleeve, 1 $\frac{3}{16}$ " Long
12.	G10201	1	Special Washer, $\frac{3}{8}$ " x 1 $\frac{1}{2}$ " O.D.
13.	GD1065	1	Idler Spring
14.	GD7318	1	Sleeve, 1" Long
15.	G10108	1	Lock Nut, $\frac{3}{8}$ "-16
16.	G10210	1	Washer, $\frac{3}{8}$ " USS
17.	GD11962	1	Idler
18.	G10003	3	Hex Head Cap Screw, $\frac{3}{8}$ "-16 x 1 $\frac{1}{2}$ "
	G10108	3	Lock Nut, $\frac{3}{8}$ "-16
19.	GD10867	2	Stop
20.	G10326	1	Hex Head Cap Screw, $\frac{3}{8}$ "-16 x 3 $\frac{3}{4}$ "
21.	G10551	1	Clevis Pin, $\frac{1}{4}$ " x 2 $\frac{1}{2}$ "
	G10669	1	Hair Pin Clip, No. 22
22.	G10312	2	Carriage Bolt, $\frac{5}{16}$ "-18 x $\frac{3}{4}$ "
	G10620	2	Flange Nut, $\frac{5}{16}$ "-18
23.	GD1033	1	Shield
24.		-	See "Gauge Wheels", Pages P6 And P7
25.	GA7965	1	Shank W/Gauge Wheel Pivot Spindle And Set Screw
	GD11001	-	Spindle
	G10438	-	Hex Head Cap Screw, $\frac{1}{2}$ "-13 x $\frac{3}{4}$ "
26.	GB0284	1	Seed Tube Guard/Inner Scraper
27.	G10912	2	Hex Socket Head Cap Screw, $\frac{5}{16}$ "-18 x 1", Grade 8
28.	GD1130	-	Seed Tube (No Monitor) See "KPM I/KPM II Electronic Seed Monitor" For Seed Tube With Sensor, Pages 74 And 75
29.	GB0285	1	Collar, Depth Adjustment
30.	GB0265	1	Pivot Link, Depth Adjustment
31.	G10207	2	Washer, $\frac{7}{8}$ " O.D. x $\frac{13}{32}$ " I.D. x .134" (If Applicable)
32.	GB0267	1	Lever, Depth Adjustment
33.	GB0266	1	Handle, Depth Adjustment
34.	GB0274	1	Cover, Depth Adjustment
35.	G10985	2	Hex Washer Head Cap Screw, $\frac{3}{8}$ "-16 x 1"
36.	GD11845	1	Dust Cap

PARALLEL ARMS, MOUNTING SUPPORT PLATE AND QUICK ADJUSTABLE DOWN FORCE SPRINGS

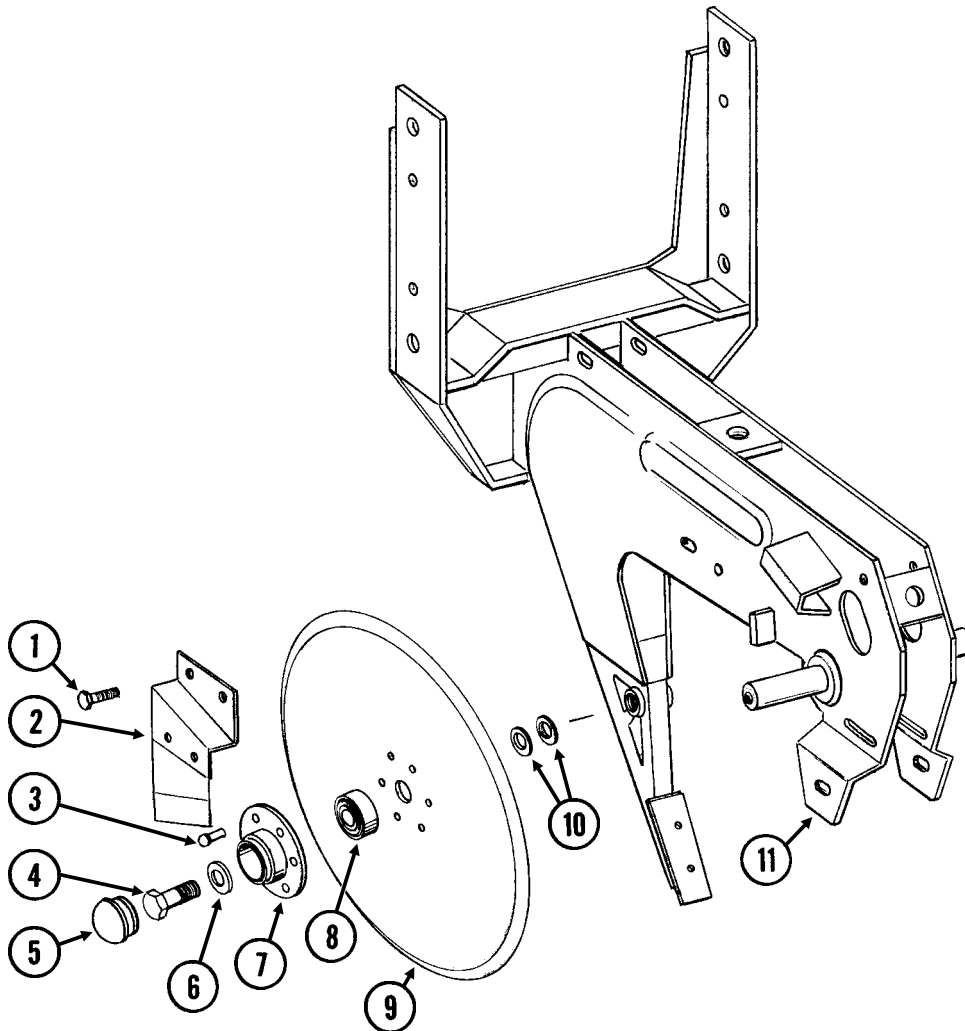
RUB021/RUB022(RU78e)



ITEM	PART NO.	QTY. (Per Row)	DESCRIPTION
1.	GD1113	-	U-Bolt, 5" x 7" x 5/8"-11
	G10230	4	Lock Washer, 5/8"
	G10104	4	Hex Nut, 5/8"-11
2.	GD10036	1	Mounting Support Plate
3.	GB0218	4	Bushing, 2 1/32" I.D. x 7/8" O.D. x 19/32" Long
4.	GD11422	2	Upper Parallel Arm
5.	G10732	4	Hex Head Cap Screw, 5/8"-18 x 2"
	GD7805	4	Special Washer, 5/8", Hardened
	G10412	4	Lock Nut, 5/8"-18
6.	GB0186	2	Spring Anchor
7.	G10545	2	Detent Pin, 1" Grip
8.	GD8249	2-4	Spring
9.		-	See "Hopper Support And Meter Drive", Page P12
10.	GA5651	1	Lower Parallel Arm
11.	GA1720	1	Bearing/Sprocket, 7/8" Hex Bore
12.	G10001	2	Hex Head Cap Screw, 3/8"-16 x 1"
	G10229	2	Lock Washer, 3/8"
	G10101	2	Hex Nut, 3/8"-16
A.	G6325X	-	U-Bolt Package For 5" x 7" Toolbar, Includes: (2) GD1113, (4) G10230, (4) G10104

15" SEED OPENER DISC BLADE/BEARING ASSEMBLY AND SEED DISC SCRAPERS

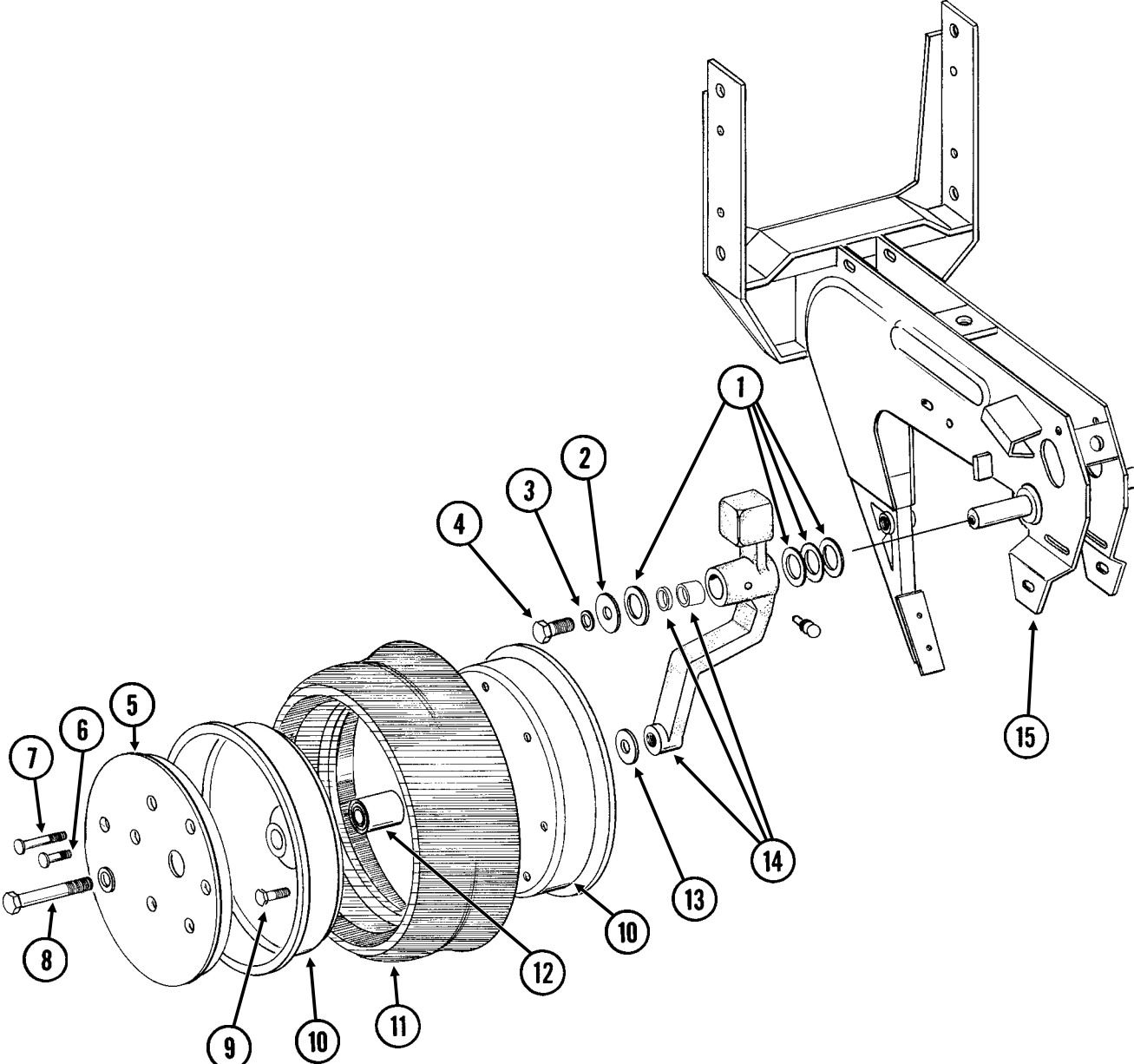
RUB023/RUB025(RU82a)



ITEM	PART NO.	QTY. (Per Row)	DESCRIPTION
1.	G10328	4	Hex Head Cap Screw, $\frac{3}{8}$ "-16 x $\frac{5}{8}$ "
	G10622	4	Flange Nut, $\frac{3}{8}$ "-16
2.	GA2012R	1	Disc Scraper, R.H.
	GA2012L	-	Disc Scraper, L.H. (Shown)
3.	G10427	12	Rivet, $\frac{1}{4}$ " x $\frac{1}{2}$ "
4.	GD11017	1	Special Hex Head Cap Screw, $\frac{5}{8}$ "-11 x $1 \frac{1}{2}$ ", L.H. Thread
	G10007	1	Hex Head Cap Screw, $\frac{5}{8}$ "-11 x $1 \frac{1}{2}$ "
5.	GD11845	2	Dust Cap
6.	G10204	2	Special Machine Bushing, $\frac{5}{8}$ " x 1" O.D.
7.	GD10473	2	Bearing Housing
8.	GA2014	2	Bearing
9.	GD11306	2	Disc Blade, 15"
10.	G10213	-	Machine Bushing, $\frac{5}{8}$ " (.030" Thick)(As Required)
11.		-	See "Shank Assembly", Pages P2 And P3
A.	GA8324	-	Disc Blade And Bearing Assembly, Less Bearing Cap (Items 3 And 7-9)

GAUGE WHEELS

RUB027/RUB023(RU84a)

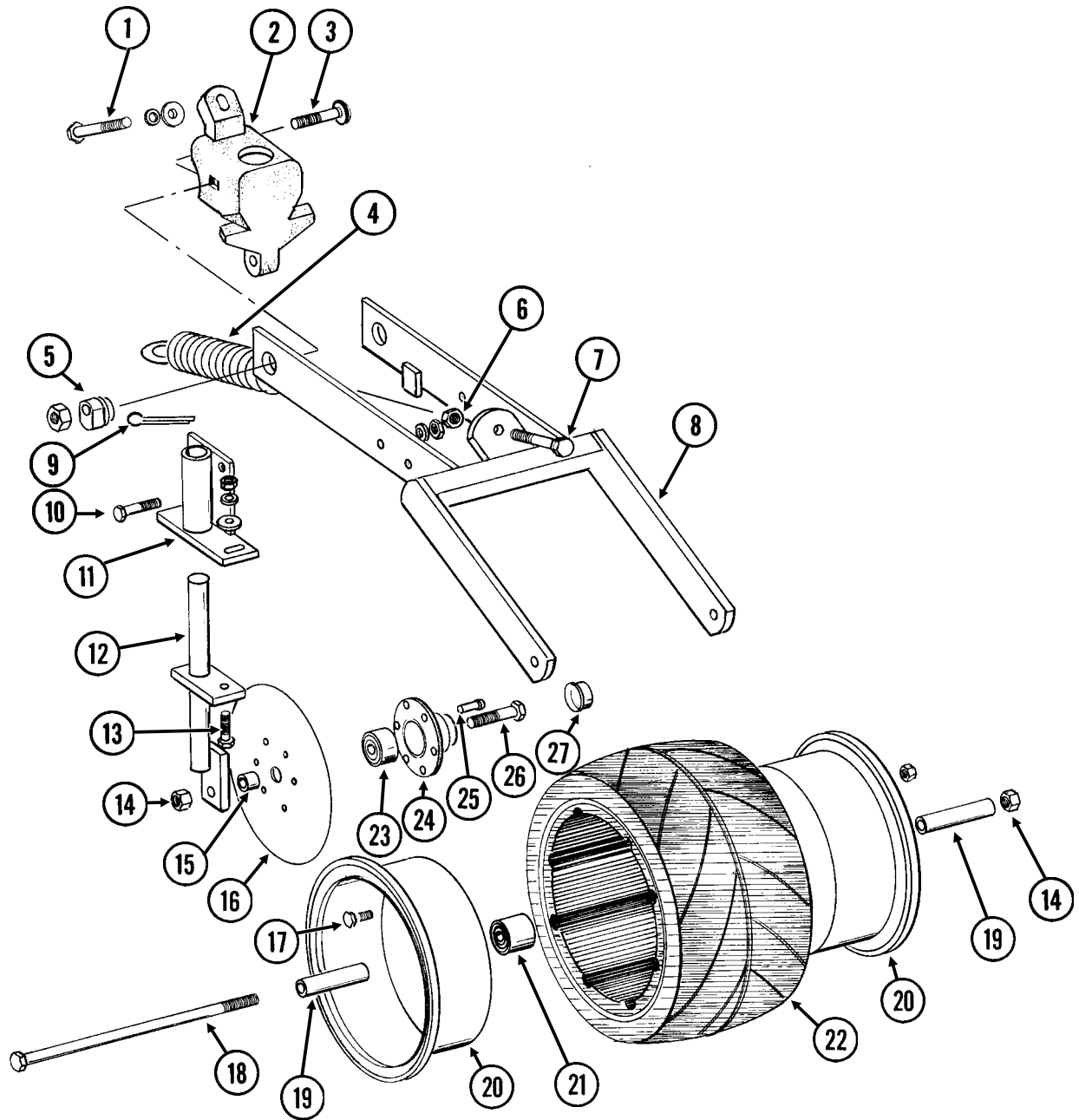


GAUGE WHEELS

ITEM	PART NO.	QTY. (Per Row)	DESCRIPTION
1.	G10940	-	Machine Bushing, 1" (.048" Thick)
2.	G10216	2	Washer, 1/2" USS
3.	G10228	2	Lock Washer, 1/2"
4.	G10014	1	Hex Head Cap Screw, 1/2"-13 x 1"
5.	GD11453	2	Cover
6.	G10338	12	Carriage Bolt, 5/16"-18 x 1 1/4"
	G10620	12	Flange Nut, 5/16"-18
7.	G10924	8	Carriage Bolt, 5/16"-18 x 1 3/4"
	G10620	8	Flange Nut, 5/16"-18
8.	G10010	2	Hex Head Cap Screw, 5/8"-11 x 3"
	G10230	2	Lock Washer, 5/8"
9.	G10018	14	Hex Head Cap Screw, 5/16"-18 x 5/8"
	G10109	14	Lock Nut, 5/16"-18
10.	GD11423	4	Half Wheel
11.	GD1086	2	Tire
12.	GA6171	2	Bearing
13.	G10204	2	Special Machine Bushing, 5/8" x 1" O.D.
14.	GA7975	1	Wheel Arm W/Grease Fitting, Bushings And Seals, L.H. (Shown)
	GA7976	1	Wheel Arm W/Grease Fitting, Bushings And Seals, R.H.
	G10640	1	Grease Fitting, 1/4"-28 (Per Arm)
	GB0276	2	Bushing, 1" I.D. x 1 1/4" O.D. x 1" Long (Per Arm)
	GD10991	2	Seal (Per Arm)
15.		-	See "Shank Assembly", Pages P2 And P3
A.	GA7949	-	Gauge Wheel Complete (Items 5-7 And 9-12)

COVERING DISCS/SINGLE PRESS WHEEL

RUA054/RUB026(RU94a)

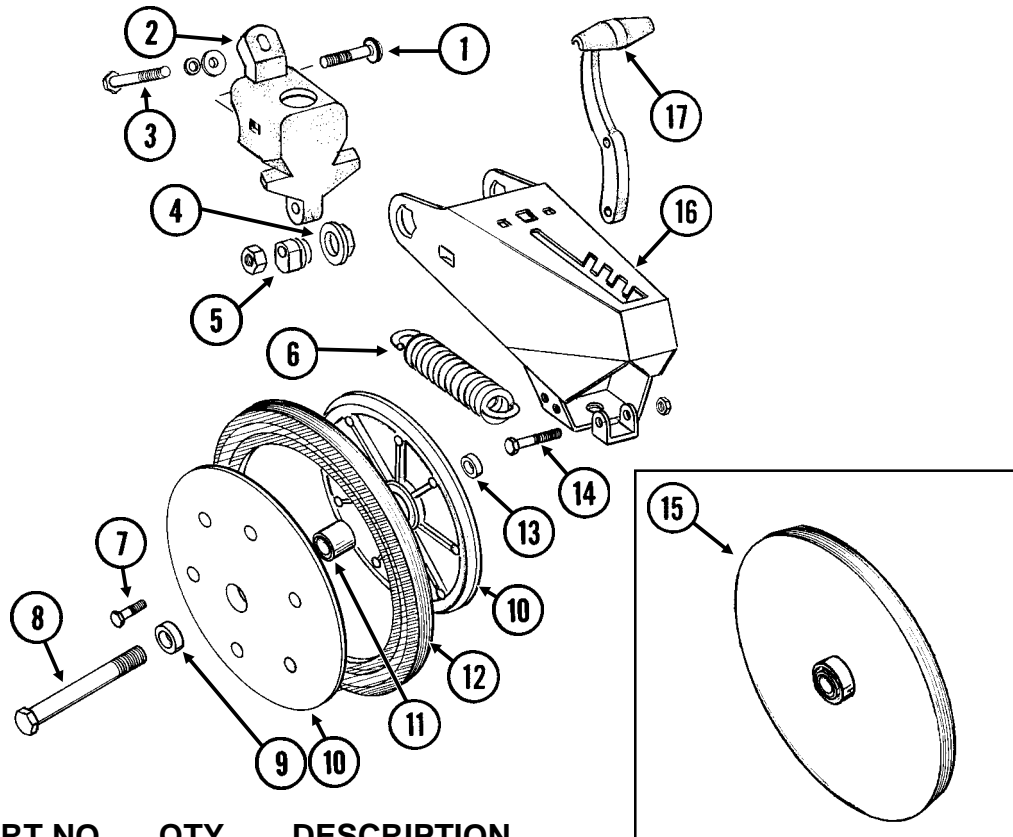


COVERING DISCS/SINGLE PRESS WHEEL

ITEM	PART NO.	QTY. (Per Row)	DESCRIPTION
1.	G10003	1	Hex Head Cap Screw, $\frac{3}{8}$ "-16 x 1 $\frac{1}{2}$ "
	G10229	1	Lock Washer, $\frac{3}{8}$ "
	G10210	2	Washer, $\frac{3}{8}$ " USS
2.	GB0268	1	Wheel Arm Stop
3.	G10801	2	Carriage Bolt, $\frac{1}{2}$ "-13 x 2 $\frac{1}{4}$ "
	G10315	-	Carriage Bolt, $\frac{1}{2}$ "-13 x 2 $\frac{1}{2}$ " (Used W/Straight Drop In-Furrow Granular Chemical Bracket)
	G10102	2	Hex Nut, $\frac{1}{2}$ "-13
4.	GA2054	1	Spring
5.	GB0239	2	Eccentric Bushing
6.	G10102	1	Hex Nut, $\frac{1}{2}$ "-13
7.	G10015	1	Adjusting Bolt, $\frac{1}{2}$ "-13 x 5"
8.	GA6619	1	Mounting Arm
9.	G10463	2	Cotter Pin, $\frac{1}{4}$ " x 1 $\frac{1}{2}$ "
10.	G10171	4	Hex Head Cap Screw, $\frac{5}{16}$ "-18 x 1 $\frac{1}{4}$ "
	G10232	4	Lock Washer, $\frac{5}{16}$ "
	G10106	4	Hex Nut, $\frac{5}{16}$ "-18
11.	GA6620	2	Bracket
12.	GA6618	2	Mount
13.	G10303	2	Carriage Bolt, $\frac{5}{16}$ "-18 x 1"
	G10219	2	Washer, $\frac{5}{16}$ " USS
	G10232	2	Lock Washer, $\frac{5}{16}$ "
	G10106	2	Hex Nut, $\frac{5}{16}$ "-18
14.	G10107	3	Lock Nut, $\frac{5}{8}$ "-11
15.	GD1109	2	Bushing, $\frac{41}{64}$ " I.D. x $\frac{7}{8}$ " O.D. x $\frac{1}{4}$ " Long
16.	GD9290	2	Disc Blade, 8"
17.	G10018	7	Hex Head Cap Screw, $\frac{5}{16}$ "-18 x $\frac{5}{8}$ "
	G10109	7	Lock Nut, $\frac{5}{16}$ "-18
18.	G10152	1	Hex Head Cap Screw, $\frac{5}{8}$ "-11 x 9"
19.	GD3180-12	2	Sleeve, $\frac{5}{8}$ " I.D. x $\frac{7}{8}$ " O.D. x 2 $\frac{7}{8}$ " Long
20.	GD9562	2	Half Wheel
21.	GA6171	1	Bearing
22.	GD9305	1	Tire
23.	GA2014	2	Bearing
24.	GD10473	2	Bearing Housing
25.	G10427	12	Rivet, $\frac{1}{4}$ " x $\frac{1}{2}$ "
26.	G10006	2	Hex Head Cap Screw, $\frac{5}{8}$ "-11 x 2 $\frac{1}{4}$ "
27.	GD11845	2	Dust Cap
A.	GA6733	-	Single Press Wheel Complete W/Bearing (Items 17 And 20-22)
B.	GA6801	-	Covering Disc Blade Complete W/Bearing (Items 16 And 23-25)

"V" CLOSING WHEELS

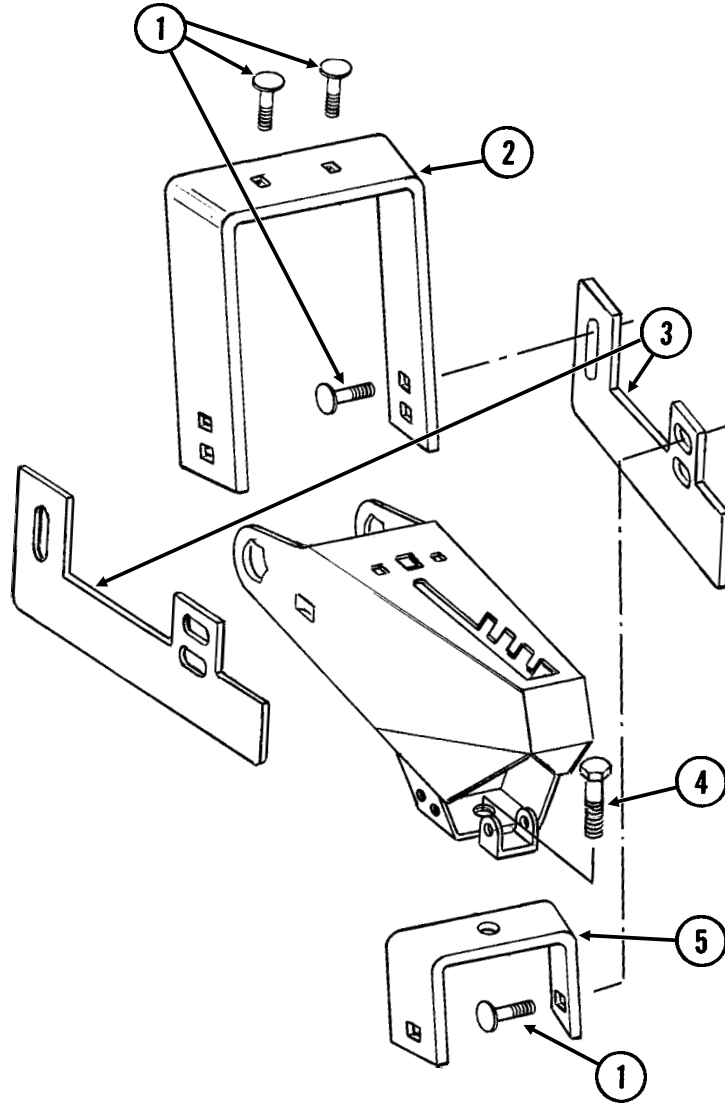
RUB026(RU83)



ITEM	PART NO.	QTY. (Per Row)	DESCRIPTION
1.	G10801	2	Carriage Bolt, 1/2"-13 x 2 1/4"
	G10315	-	Carriage Bolt, 1/2"-13 x 2 1/2" (Used W/Straight Drop In-Furrow Granular Chemical Bracket)
	G10111	2	Lock Nut, 1/2"-13
2.	GB0268	1	Wheel Arm Stop
3.	G10003	1	Hex Head Cap Screw, 3/8"-16 x 1 1/2"
	G10229	1	Lock Washer, 3/8"
	G10210	2	Washer, 3/8" USS
4.	GB0282	2	Stepped Bushing
5.	GB0239	2	Eccentric Bushing
6.	GD8460	1	Spring
7.	G10064	6	Hex Head Cap Screw, 1/4"-20 x 1"
8.	G10013	2	Hex Head Cap Screw, 5/8"-11 x 3 1/2"
	G10107	2	Lock Nut, 5/8"-11
9.	GB0218	2	Bushing, 21/32" I.D. x 7/8" O.D. x 19/32" Long
10.	GD9120	4	Nylon Half Wheel
11.	GA6171	2	Bearing
12.	GD1085	2	Rubber Tire, 1" x 12"
13.	GD1109	2	Bushing, 41/64" I.D. x 7/8" O.D. x 1/4" Long
14.	G10133	1	Hex Head Cap Screw, 5/16"-18 x 1 1/2"
	G10109	1	Lock Nut, 5/16"-18
15.	GA6597	-	Cast Iron Closing Wheel W/Bearing
	GA6171	-	Bearing
16.	GA8322	1	Arm
17.	GB0254	1	Lever
A.	GA6434	-	Rubber Closing Wheel Complete With Bearing (Items 7 And 10-12)

DRAG CLOSING ATTACHMENT

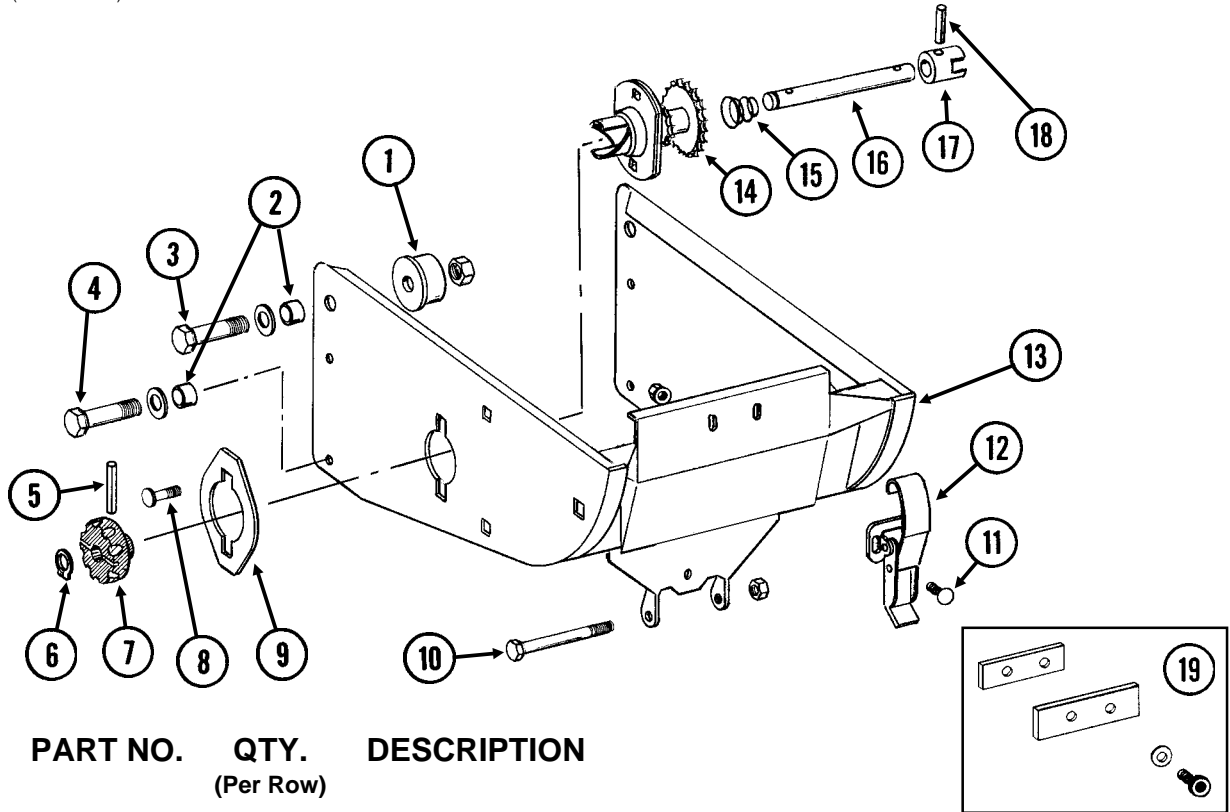
RUB050(RU90a)



ITEM	PART NO.	QTY.	DESCRIPTION
		(Per Row)	
1.	G10599	6	Carriage Bolt, $\frac{3}{8}$ "-16 x 1 $\frac{1}{4}$ "
	G10210	6	Washer, $\frac{3}{8}$ " USS
	G10229	6	Lock Washer, $\frac{3}{8}$ "
	G10101	6	Hex Nut, $\frac{3}{8}$ "-16
2.	GD11508	1	Front Bracket
3.	GD11313	2	Blade
4.	G10007	1	Hex Head Cap Screw, $\frac{5}{8}$ "-11 x 1 $\frac{1}{2}$ "
	G10230	1	Lock Washer, $\frac{5}{8}$ "
	G10104	1	Hex Nut, $\frac{5}{8}$ "-11
5.	GD11509	1	Rear Bracket
A.	G7566X	-	Drag Closing Attachment Complete (Items 1-5)

HOPPER SUPPORT AND METER DRIVE

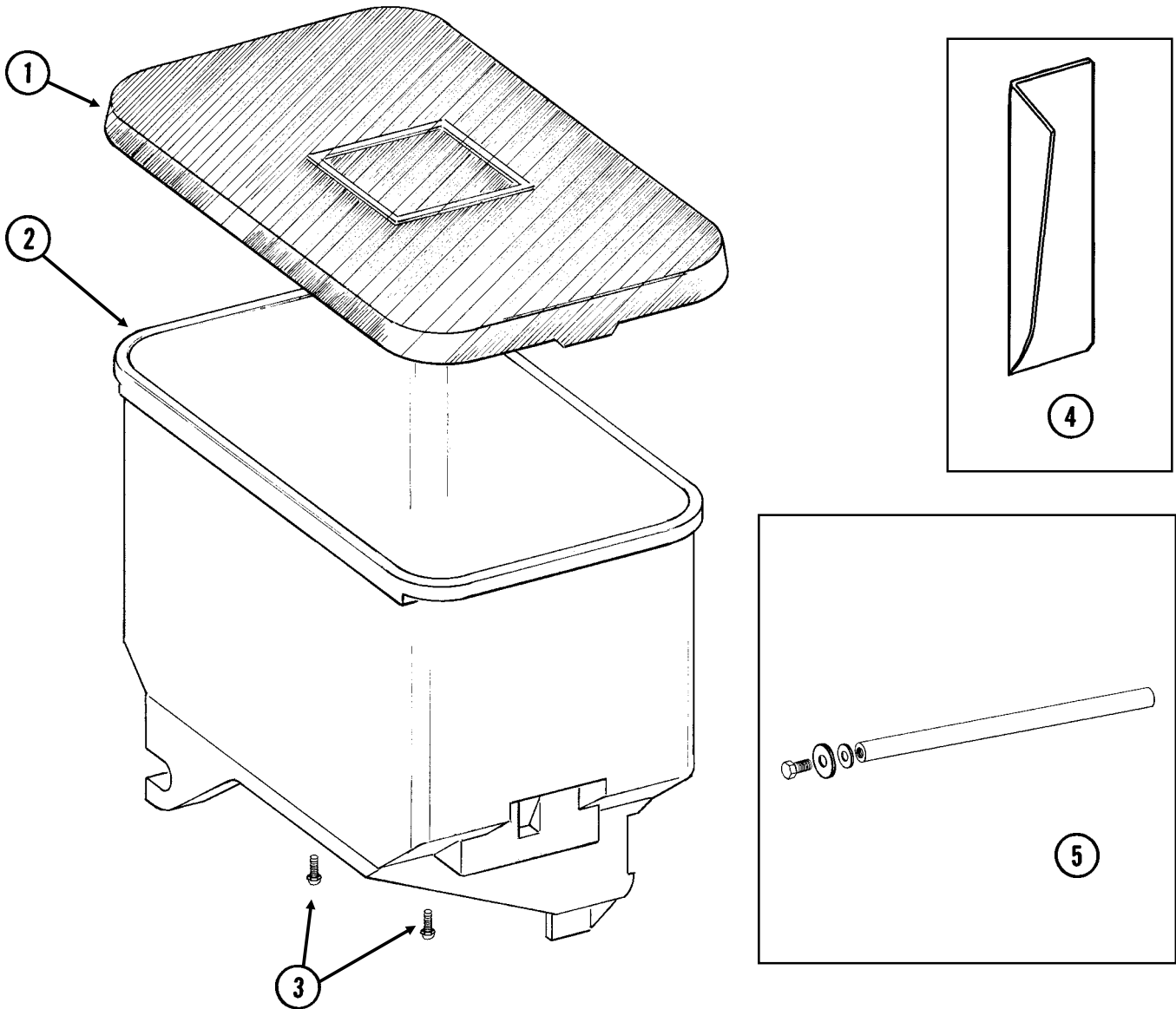
RUB028/RUB029(RU86h/RU86f)



ITEM	PART NO.	QTY. (Per Row)	DESCRIPTION
1.	GB0286	2	Hopper Mount
2.	GB0218	4	Bushing, 2 ¹ / ₃₂ " I.D. x 7 ⁷ / ₈ " O.D. x 1 ⁹ / ₃₂ " Long
3.	G10752	2	Hex Head Cap Screw, 5 ⁵ / ₈ "-18 x 2 1 ¹ / ₄ "
	GD7805	2	Special Washer, 5 ⁵ / ₈ ", Hardened
	G10412	2	Lock Nut, 5 ⁵ / ₈ "-18
4.	G10751	2	Hex Head Cap Screw, 5 ⁵ / ₈ "-18 x 1 3 ³ / ₄ "
	GD7805	2	Special Washer, 5 ⁵ / ₈ ", Hardened
	G10412	2	Lock Nut, 5 ⁵ / ₈ "-18
5.	G10602	1	Spring Pin, 1 ¹ / ₄ " x 1 1 ¹ / ₂ "
6.	G10567	1	External Retaining Ring, 5 ⁵ / ₈ "
7.	GD11239	1	Knob
8.	G10302	2	Carriage Bolt, 5 ⁵ / ₁₆ "-18 x 7 ⁷ / ₈ "
	G10620	2	Flange Nut, 5 ⁵ / ₁₆ "-18
9.	GD11305	1	Plate
10.	G10061	1	Hex Head Cap Screw, 3 ³ / ₈ "-16 x 3 1 ¹ / ₂ "
	G10210	2	Washer, 3 ³ / ₈ " USS
	G10108	1	Lock Nut, 3 ³ / ₈ "-16
11.	G10309	2	Carriage Bolt, 1 ¹ / ₄ "-20 x 5 ⁵ / ₈ ", Grade 2
	G10621	2	Flange Nut, 1 ¹ / ₄ "-20
12.	GA2007	1	Hopper Hold Down Latch
13.	GA8304	1	Hopper Support
14.	GA8363	1	Double Sprocket And Bearing, Drive Clutch, 11/19 Tooth
15.	GD11413	1	Spring
16.	GD10958	1	Shaft
17.	GB0278	1	Coupler
18.	G10546	1	Spring Pin, 3 ³ / ₁₆ " x 1 1 ¹ / ₄ "
19.	G1K312	-	Seed Hopper Support Panel Kit W/Hardware And Instruction (2 Rows)
	G10211	-	Washer, 1 ¹ / ₄ " SAE
	G10252	-	Socket Head Screw, 1 ¹ / ₄ "-20 x 7 ⁷ / ₈ ", Grade 8
A.	GA8365	-	Meter Drive Assembly Complete (Items 5-7 And 14-18)

SEED HOPPER AND LID

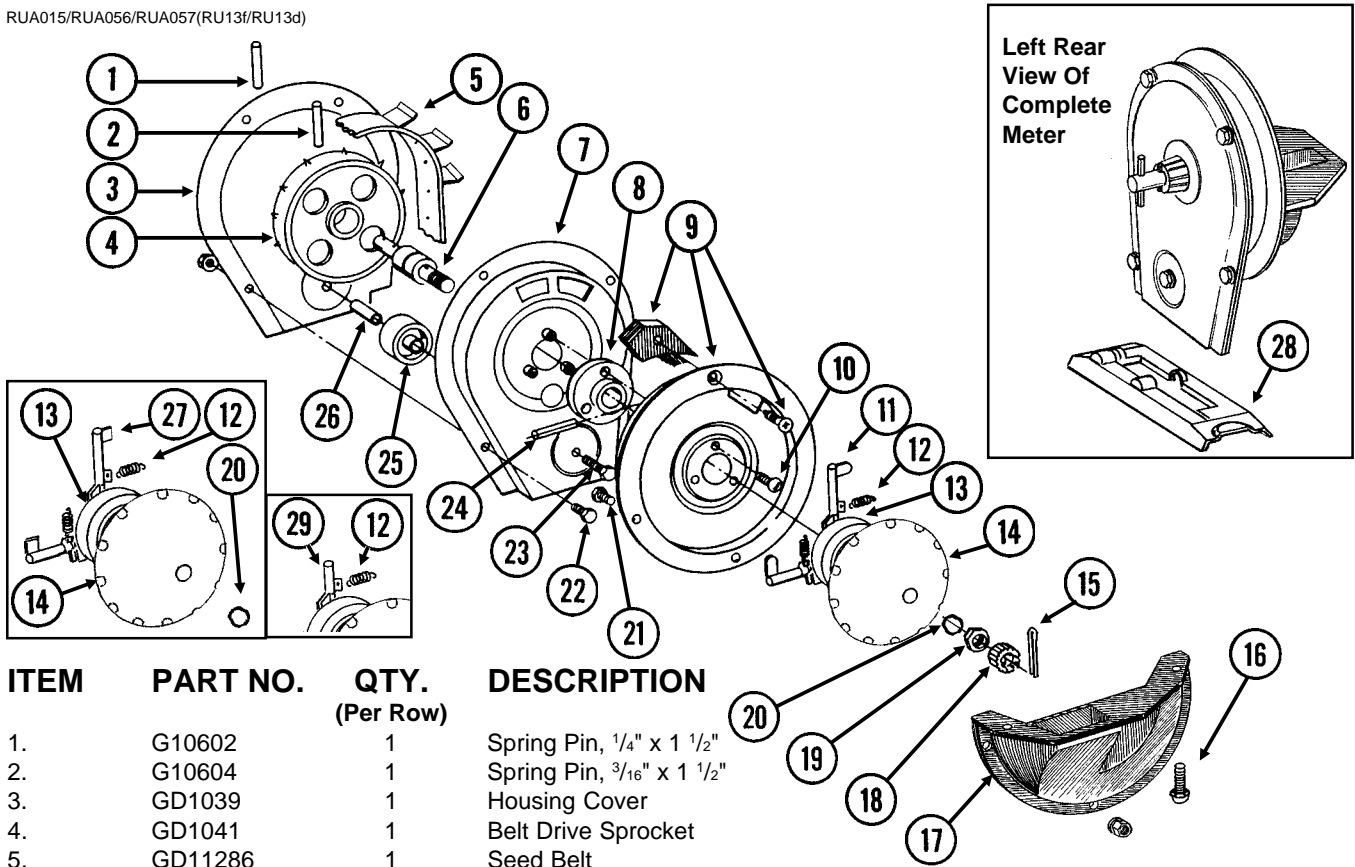
RUA030(RU87/RU87a/RU128)



ITEM	PART NO.	QTY. (Per Row)	DESCRIPTION
1.	GD11279	1	Lid
2.	GA8370	1	Seed Hopper
3.	G10922	2	Thumbscrew, $\frac{5}{16}$ "-18 x $\frac{3}{4}$ "
4.	GD11747	1	Seed Reserve Baffle
5.	G1K313	1	Seed Hopper Cross Brace Kit W/Hardware And Instruction
	G10989	2	Hex Washer Head Cap Screw, $\frac{3}{8}$ "-16 x $\frac{3}{4}$ "
	G10201	2	Special Washer, $\frac{3}{8}$ " x 1 $\frac{1}{2}$ " O.D.
	G10210	2	Washer, $\frac{3}{8}$ " USS

FINGER PICKUP SEED METER

RUA015/RUA056/RUA057(RU13f/RU13d)

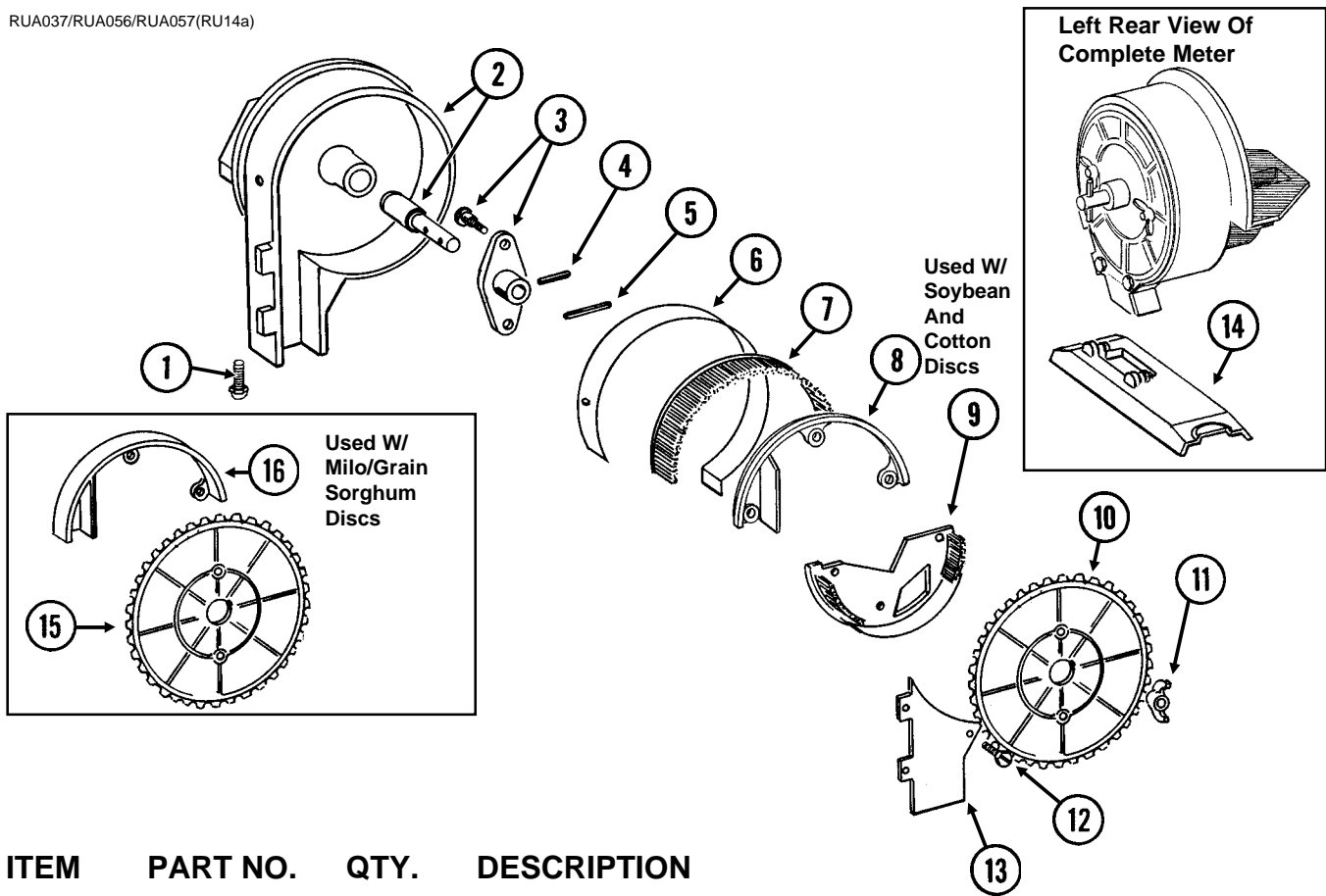


ITEM	PART NO.	QTY. (Per Row)	DESCRIPTION
1.	G10602	1	Spring Pin, 1/4" x 1 1/2"
2.	G10604	1	Spring Pin, 3/16" x 1 1/2"
3.	GD1039	1	Housing Cover
4.	GD1041	1	Belt Drive Sprocket
5.	GD11286	1	Seed Belt
6.	GA2019	1	Bearing
7.	GA2018	1	Conveyor Housing
8.	GB0110	1	Bearing Housing
9.	GR0664	1	Carrier W/Brush And Screw
	GA2020	-	Brush
	G10690	-	Rolling Thread Screw, No. 10 x 3/4"
10.	G10401	3	Slotted Hex Washer Head Screw, No. 10-32 x 5/8"
11.	GD10733	12	Finger, Corn
12.	GD6501	12	Spring
13.	GB0111	1	Cam
14.	GD11528	1	Finger Holder
15.	G10470	1	Cotter Pin, 5/32" x 1"
16.	G10922	2	Thumbscrew, 5/16"-18 x 3/4"
17.	GD11311	1	Seed Baffle
18.	GD1083	1	Cover Nut
19.	G10500	1	Jam Nut, 5/8"-18 UNF
20.	GA8343	1	Wave Washer, 5/8" (Triple Wave)
21.	G10020	3	Hex Head Cap Screw, 1/4"-20 x 5/8"
	G10323	3	Hex Flange Nut, 1/4"-20
22.	G10022	4	Hex Head Cap Screw, 1/4"-20 x 1/2"
	G10621	4	Flange Nut, 1/4"-20
23.	G10021	1	Hex Head Cap Screw, 1/4"-20 x 1 1/2"
	G10621	1	Flange Nut, 1/4"-20
24.	G10603	1	Spring Pin, 1/4" x 1 1/4"
25.	GD1042	1	Idler
26.	GB0120	1	Bushing, 17/64" I.D. x 1 1/32" Long
27.	GD10226	12	Finger, Oil Sunflower
28.	GD11373	1	Shank Cover, Finger Pickup Seed Meter
29.	GD11787	-	Half Rate Blank Finger

- A. GR1487 - Finger Assembly, Corn (Items 11-14 And 20)
- B. GR1327 - Finger Assembly, Oil Sunflower (Items 12-14, 20 And 27)

BRUSH-TYPE SEED METER

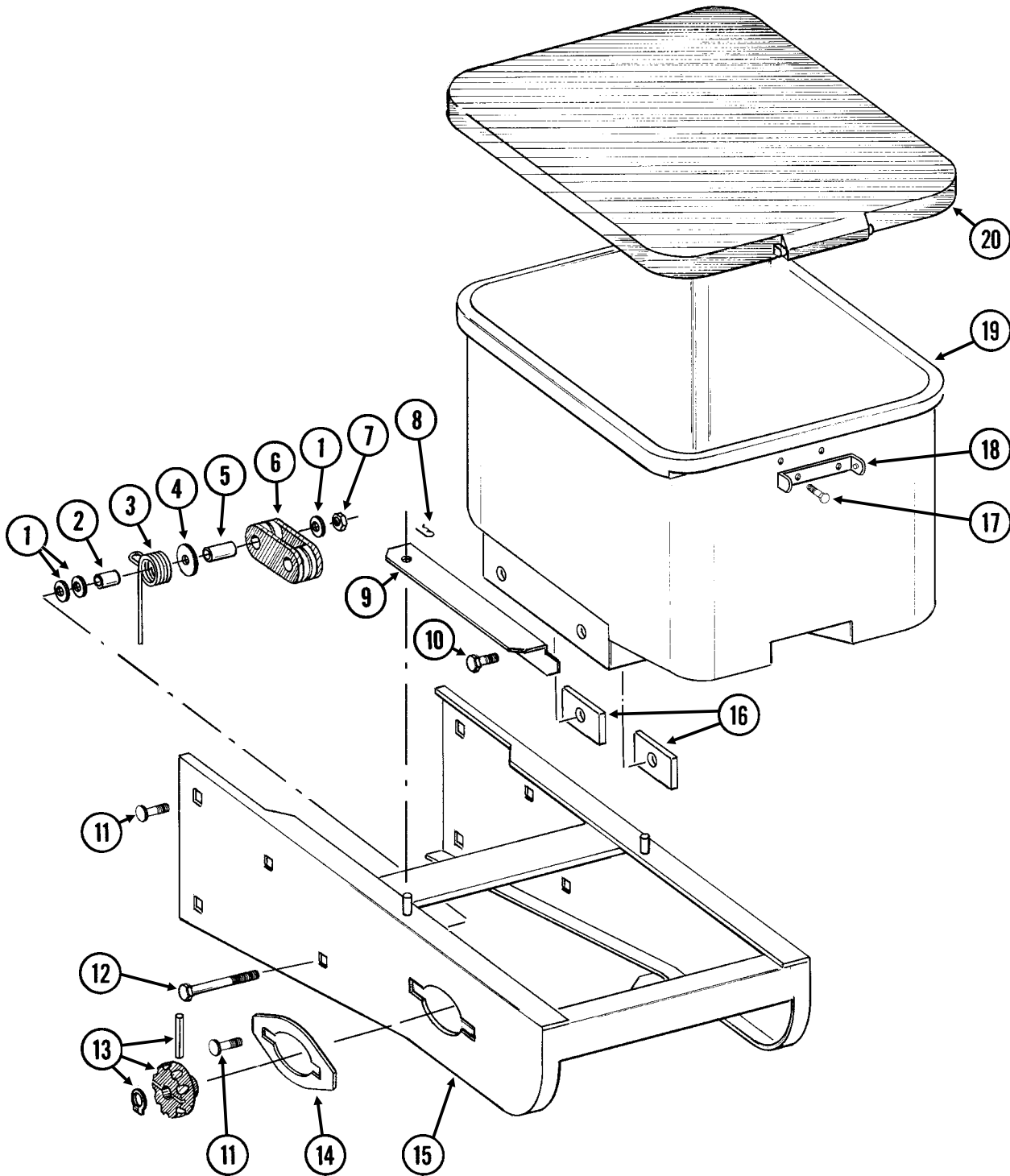
RUA037/RUA056/RUA057(RU14a)



ITEM	PART NO.	QTY. (Per Row)	DESCRIPTION
1.	G10922	2	Thumbscrew, $\frac{5}{16}$ "-18 x $\frac{3}{4}$ "
2.	GA6027	1	Housing W/Bearing
	GA5698	-	Bearing
3.	GA6038	1	Hub W/Shoulder Bolts
	GD1755	-	Shoulder Bolt, $\frac{1}{4}$ "-20 (2 Used)
4.	G10603	1	Spring Pin, $\frac{1}{4}$ " x 1 $\frac{1}{4}$ "
5.	G10602	1	Spring Pin, $\frac{1}{4}$ " x 1 $\frac{1}{2}$ "
6.	GD8778	1	Wear Strip
7.	GA5699	1	Upper Brush
8.	GD11122	1	Upper Brush Retainer (Used W/Soybean And Cotton Discs)
9.	GA5834	1	Lower Brush
10.	GA5794	-	Seed Disc, Soybean, 60 Cell, Black Color-Coded
	GA6184	-	Seed Disc, Specialty Soybean, 48 Cell, Dark Blue Color-Coded
	GA5796	-	Seed Disc, Cotton, Acid-Delinted, 30 Cell, White Color-Coded
	GA6168	-	Seed Disc, Large Cotton, Acid-Delinted, 36 Cell, Tan Color-Coded
	GA6478	-	Seed Disc, High-Rate Cotton, Acid-Delinted, 48 Cell, Light Green Color-Coded
	GA6182	-	Seed Disc, Hill-Drop Cotton, Acid-Delinted, 12 Cell, Brown Color-Coded
	GA7255	-	Seed Disc, Small Hill-Drop Cotton, Acid-Delinted, 12 Cell, Dark Green Color-Coded
11.	G10531	2	Nylon Insert Wing Nut, $\frac{1}{4}$ "-20
12.	G10584	9	Slotted Tap Screw, No. 10-24 x $\frac{1}{2}$ "
	G10634	-	Slotted Tap Screw, No. 10-24 x $\frac{5}{8}$ " (Use As Required)
13.	GD7878	1	Cover
14.	GD11374	1	Shank Cover, Brush-Type Seed Meter
15.	GA5982	-	Seed Disc, Small Milo/Grain Sorghum, 30 Cell, Red Color-Coded
	GA6187	-	Seed Disc, Large Milo/Grain Sorghum, 30 Cell, Light Blue Color-Coded
	GA5795	-	Seed Disc, High-Rate Small Milo/Grain Sorghum, 60 Cell, Red Color-Coded
	GA6633	-	Seed Disc, High-Rate Large Milo/Grain Sorghum, 60 Cell, Yellow Color-Coded
16.	GD8237	-	Upper Brush Retainer (Used W/Milo/Grain Sorghum Discs)

GRANULAR CHEMICAL HOPPER AND HOPPER PANEL EXTENSION

RUA052/RUA053/RUB028(RU92k)

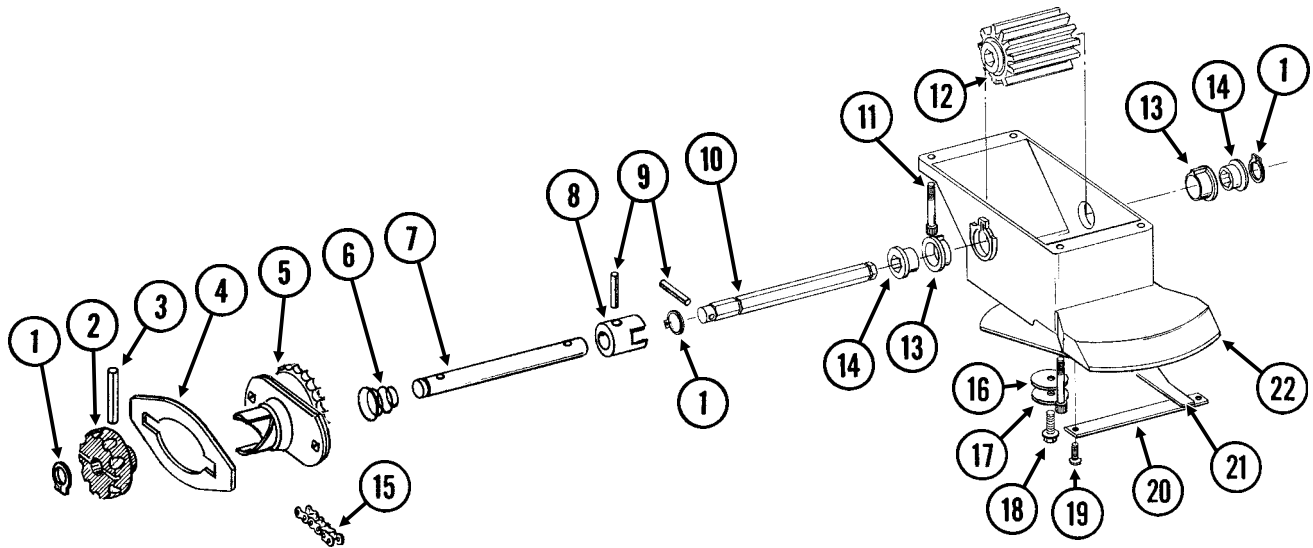


GRANULAR CHEMICAL HOPPER AND HOPPER PANEL EXTENSION

ITEM	PART NO.	QTY. (Per Row)	DESCRIPTION
1.	G10210	3	Washer, $\frac{3}{8}$ " USS
2.	GD2971-10	1	Sleeve, $\frac{9}{16}$ " Long
3.	GD11219	1	Spring
4.	G10201	1	Special Washer, $\frac{3}{8}$ " x 1 $\frac{1}{2}$ " O.D.
5.	GD1026	1	Sleeve, 1 $\frac{3}{16}$ " Long
6.	GD11962	1	Idler
7.	G10108	1	Lock Nut, $\frac{3}{8}$ "-16
8.	G10670	2	Hair Pin Clip, No. 3
9.	GD1059L	1	Support, L.H. (Shown)
	GD1059R	1	Support, R.H.
10.	G10002	4	Hex Head Cap Screw, $\frac{3}{8}$ "-16 x $\frac{3}{4}$ "
	G10229	4	Lock Washer, $\frac{3}{8}$ "
	G10101	4	Hex Nut, $\frac{3}{8}$ "-16
11.	G10312	8	Carriage Bolt, $\frac{5}{16}$ "-18 x $\frac{3}{4}$ "
	G10620	8	Flange Nut, $\frac{5}{16}$ "-18
12.	G10325	1	Hex Head Cap Screw, $\frac{3}{8}$ "-16 x 2 $\frac{3}{4}$ "
13.		-	See "Granular Chemical Meter And Meter Drive", Page P18
14.	GD11305	1	Plate
15.	A8422	1	Hopper Panel Extension (Non-Stock Item) (Sub Wholegoods Order Code 700-01080)
16.	GD11424	4	Block
17.	G10023	2	Hex Head Cap Screw, $\frac{1}{4}$ "-20 x $\frac{3}{4}$ "
	G10621	2	Flange Nut, $\frac{1}{4}$ "-20
18.	GD1060	1	Hinge
19.	GA8371	1	Hopper
20.	GA4444	1	Lid

GRANULAR CHEMICAL METER AND METER DRIVE

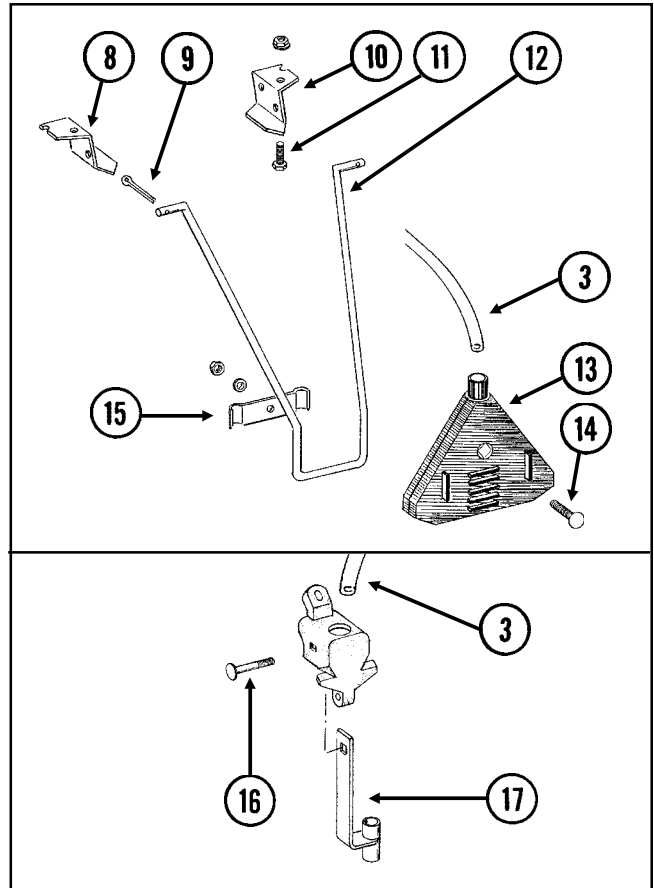
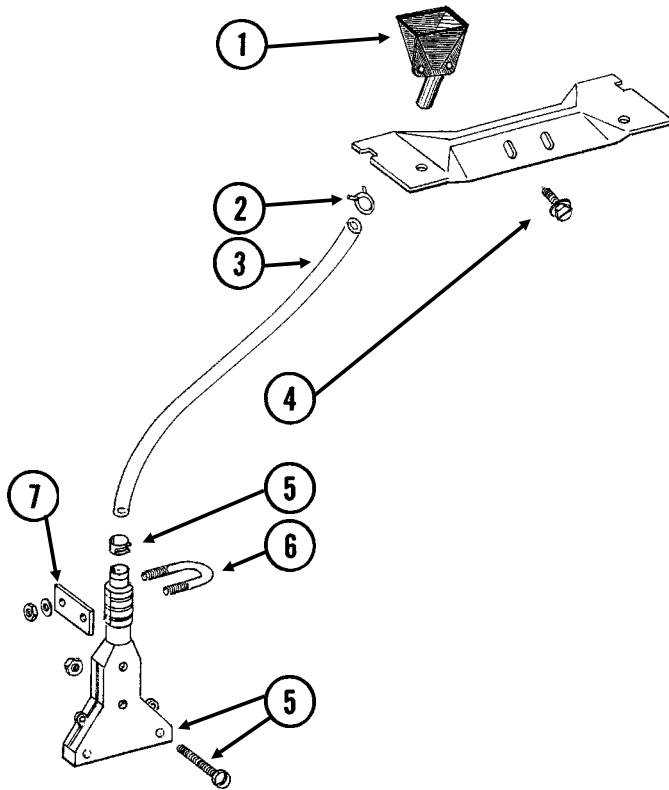
RUA051/RUB028(RU91a)



ITEM	PART NO.	QTY. (Per Row)	DESCRIPTION
1.	G10567	3	External Retaining Ring, $\frac{5}{8}$ "
2.	GD11239	1	Knob
3.	G10602	1	Spring Pin, $\frac{1}{4}$ " x $1 \frac{1}{2}$ "
4.	-	-	See "Granular Chemical Hopper And Hopper Panel Extension", Pages P16 And P17
5.	GA8364	1	Sprocket And Bearing Drive Clutch, 24 Tooth
6.	GD11413	1	Spring
7.	GD11240	1	Shaft
8.	GB0278	1	Coupler
9.	G10546	2	Spring Pin, $\frac{3}{16}$ " x $1 \frac{1}{4}$ "
10.	GD11297	1	Shaft
11.	G10921	4	Hex Socket Head Cap Screw, No. 10-24 x $\frac{7}{8}$ "
	G10257	4	Lock Washer, No. 10
12.	GD7148	1	Feed Roller, Hex Bore
13.	GB0115	2	Bearing
14.	GD7258	2	Hex Bushing
15.	G3303-114	1	Chain, No. 41, 114 Pitch Including Connector Link
	GR0196	1	Connector Link, No. 41
16.	G10660	1	Wave Washer, $\frac{1}{2}$ "
17.	G10209	1	Washer, $\frac{1}{4}$ " USS
18.	G10570	1	Slotted Hex Self-Tapping Screw, $\frac{1}{4}$ " x $\frac{3}{4}$ "
19.	G10521	2	Slotted Pan Head Self-Tapping Screw, No. 10 x $\frac{3}{8}$ "
20.	GD1061	1	Support Strap
21.	GD1063	1	Metering Gate
22.	GB0116	1	Granular Housing

GRANULAR CHEMICAL BANDING OPTIONS

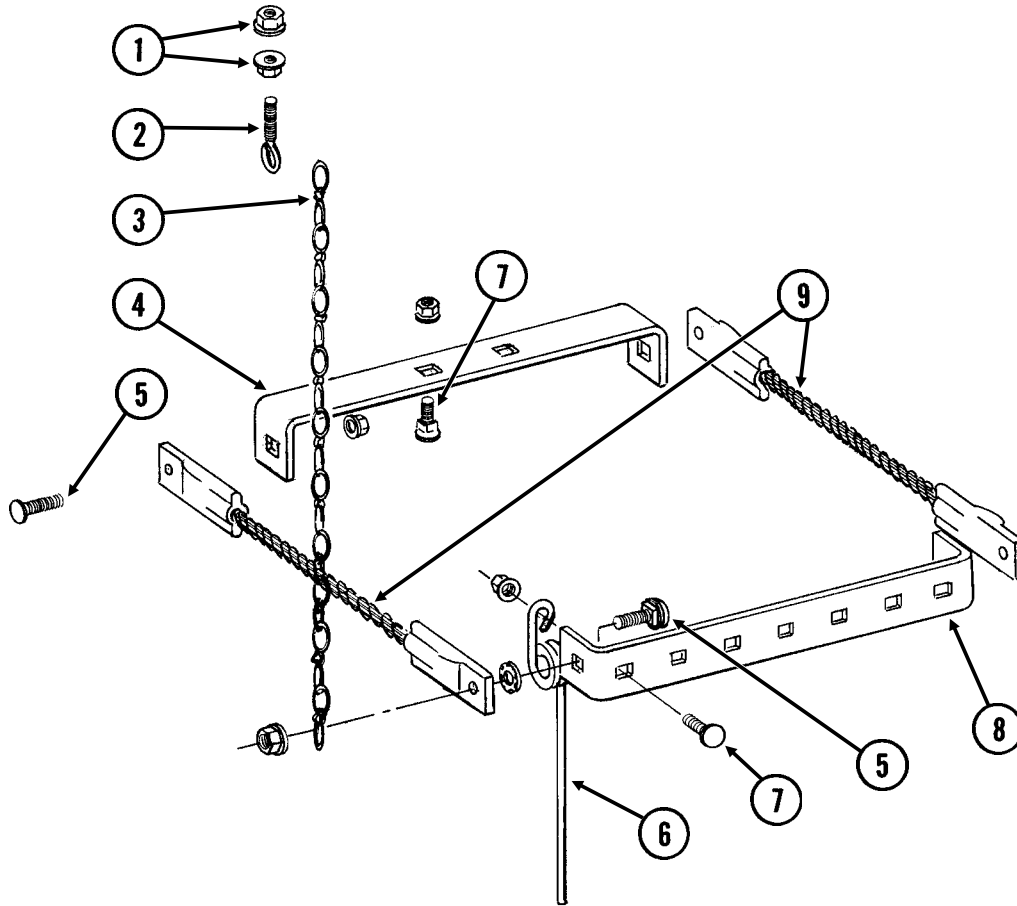
RUA061/RUA073(RU101d)



ITEM	PART NO.	QTY.	DESCRIPTION
1.	GD2423	1	Funnel
2.	G10680	1	Wire Hose Clamp, 7/16"
3.	GD2947	1	Hose, 7/16" x 28"
4.	G10523	2	Slotted Pan Head Self-Tapping Screw, No. 10 x 1/2"
5.	GA6907	1	Slope-Compensating Bander W/Hardware (4 1/2" Band Width)
	G10864	1	Uni-Clamp
	G10757	2	Pan Head Screw, No. 10-32 x 1 1/4"
	G10758	2	Hex Nut, No. 10-32
6.	GD10963	1	U-Bolt, 1 1/2" x 1 5/16" x 1/4"-20
	G10209	2	Washer, 1/4" USS
	G10110	2	Lock Nut, 1/4"-20
7.	GD10984	1	Spacer
8.	GD1115L	-	Hanger Bracket, L.H.
9.	G10452	-	Cotter Pin, 1/8" x 1/2"
10.	GD1115R	-	Hanger Bracket, R.H.
11.	G10310	-	Carriage Bolt, 1/4"-20 x 3/4", Grade 2
	G10227	-	Lock Washer, 1/4"
	G10103	-	Hex Nut, 1/4"-20
12.	GD1116	-	Hanger
13.	GA2075	-	Diffuser, 14" Band
14.	G10306	-	Carriage Bolt, 3/8"-16 x 2"
	G10229	-	Lock Washer, 3/8"
	G10101	-	Hex Nut, 3/8"-16
15.	GD1118	-	Clamp
16.	G10315	1	Carriage Bolt, 1/2"-13 x 2 1/2"
			(Replaces Existing 1/2" x 2 1/4" Hardware)
17.	GA6741	1	Bracket (Straight Drop In-Furrow)

SPRING TOOTH INCORPORATOR

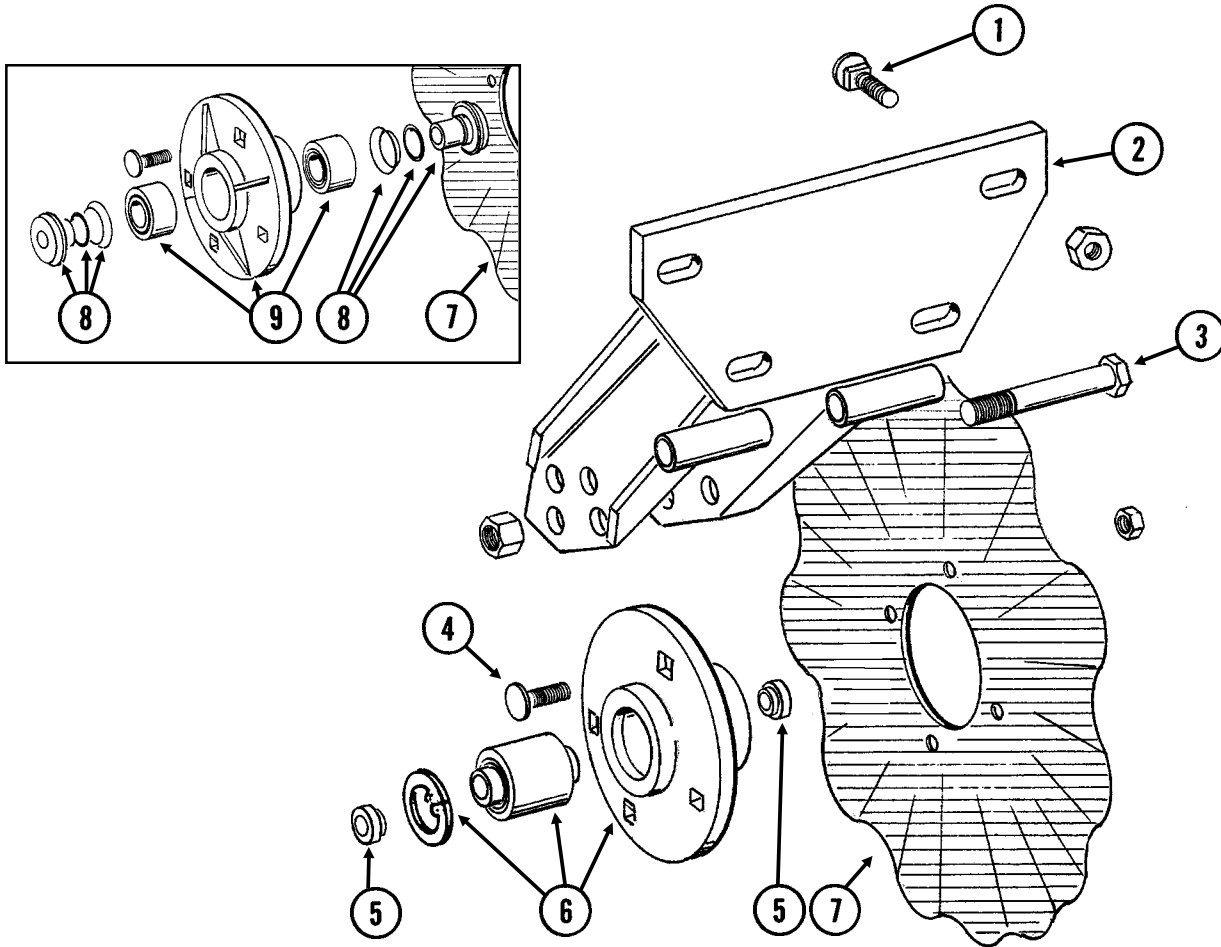
RUA055(RU95)



ITEM	PART NO.	QTY. (Per Row)	DESCRIPTION
1.	G10621	4	Flange Nut, 1/4"-20
2.	GD2460	2	Eyebolt, 1/4"-20
3.	G3305-01	4	Twin Loop Chain, 9 Links
4.	GD1143	1	Front Bracket
5.	G10305	4	Carriage Bolt, 3/8"-16 x 1"
	G10529	4	External Tooth Lock Washer, 3/8"
	G10622	4	Flange Nut, 3/8"-16
6.	GD1145	7	Spring Tooth
7.	G10308	9	Carriage Bolt, 3/8"-16 x 3/4"
	G10622	9	Flange Nut, 3/8"-16
8.	GD1144	1	Rear Bracket
9.	GA2094	2	Cable Assembly

ROW UNIT MOUNTED NO TILL COULTER

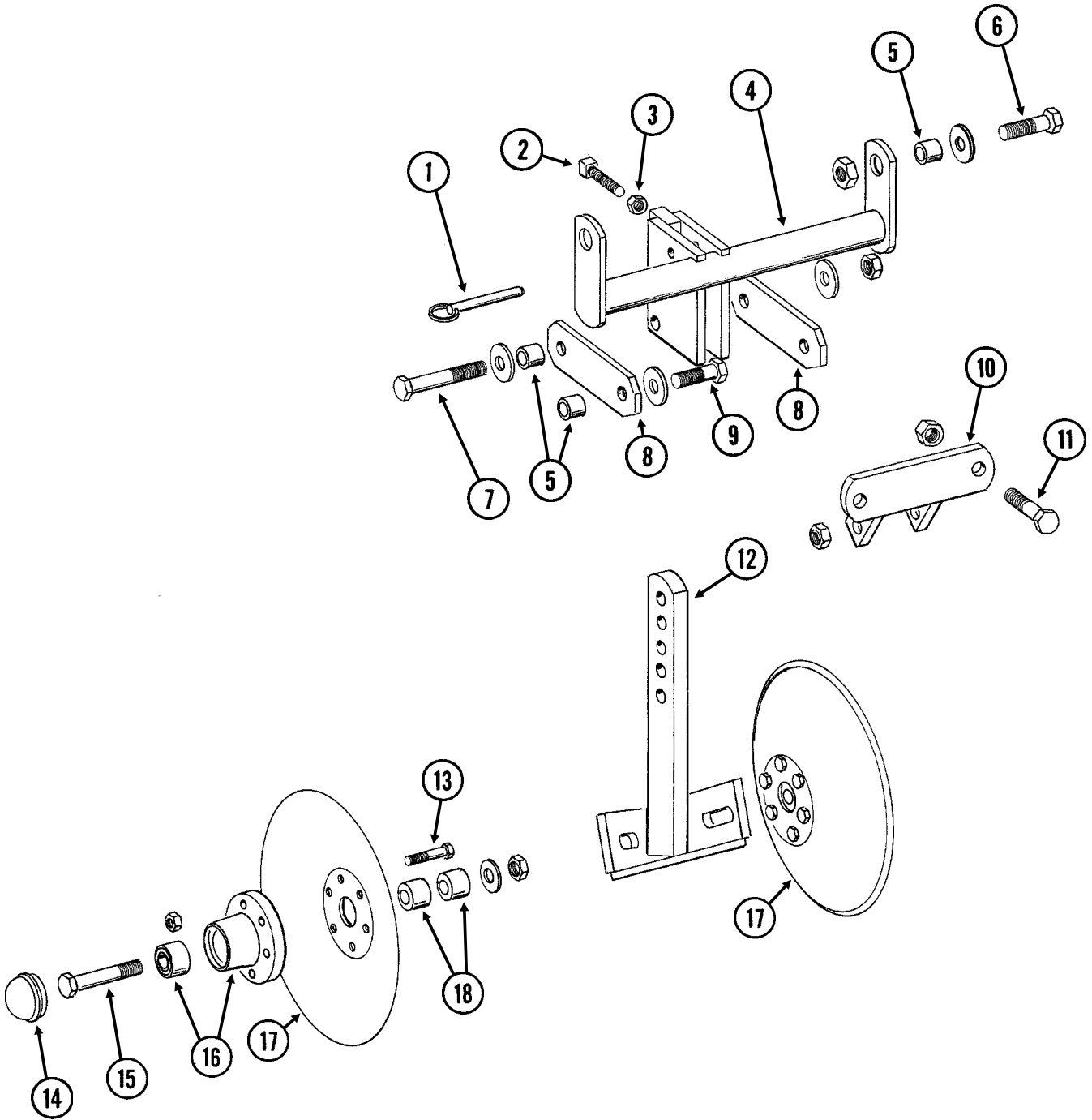
RUA061(RU102/RU102c)



ITEM	PART NO.	QTY. (Per Row)	DESCRIPTION
1.	G10574	4	Carriage Bolt, 1/2"-13 x 1 1/4"
	G10111	4	Lock Nut, 1/2"-13
2.	GA5625	1	Arm
3.	G10036	1	Hex Head Cap Screw, 5/8"-11 x 4"
	G10107	1	Lock Nut, 5/8"-11
4.	G10574	4	Carriage Bolt, 1/2"-13 x 1 1/4"
	G10111	4	Lock Nut, 1/2"-13
5.	GD11677	2	Adapter
6.	GA8641	1	Hub W/Bearing And Retaining Ring
	GA8603	-	Double Row Bearing
	GD11652	-	Retaining Ring, 2 7/16"
7.	GD7803	-	Disc Blade, Fluted, 1", 8 Flutes (Shown)
	GD7804	-	Disc Blade, Bubbled, 1"
	GD9254	-	Disc Blade, Fluted, 3/4", 13 Flutes
8.	GB0227	2	Adapter W/O-Ring And Spring Washer
	GD8844	2	O-Ring
	GD8843	2	Spring Washer
9.	GA5640	1	Hub W/Bearings And Grease Fitting (Sub G1K289)
	GA5622	-	Bearing (2 Used Per Hub)
	G10640	-	Grease Fitting, 1/4"-28

ROW UNIT MOUNTED DISC FURROWER

RUA059/RUA058(RU99/RU98)

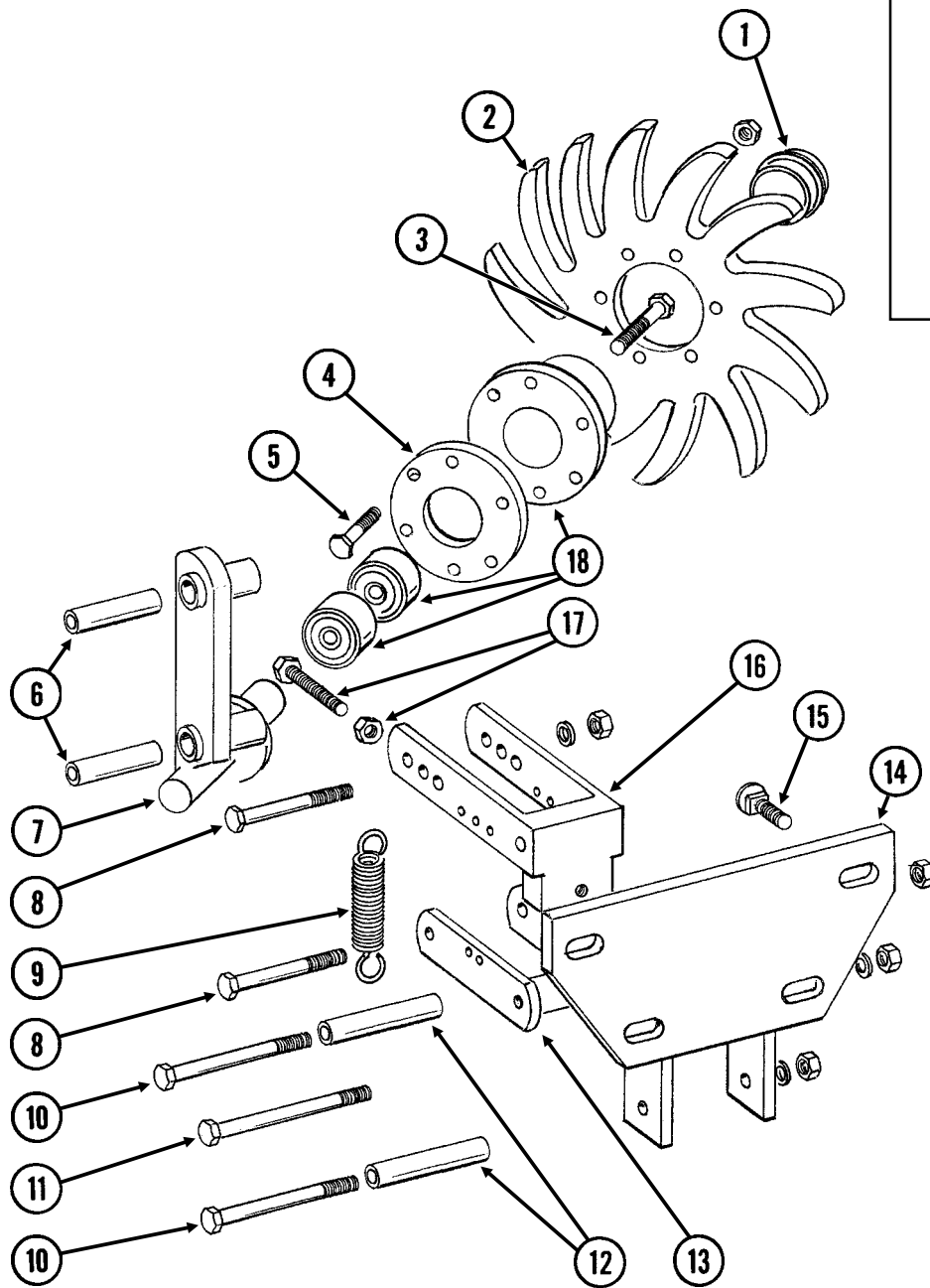


ROW UNIT MOUNTED DISC FURROWER

ITEM	PART NO.	QTY. (Per Row)	DESCRIPTION
1.	G10536	1	Detent Pin, 1/2" x 2 1/2"
2.	G10597	1	Hex Socket Head Set Screw, 5/8"-11 x 2 1/4"
3.	G10503	1	Jam Nut, 5/8"-11
4.	GA5719	1	Mounting Bracket
5.	GD7889	6	Bushing
6.	G10039	2	Hex Head Cap Screw, 1/2"-13 x 1 3/4"
	G10216	2	Washer, 1/2" USS
	G10111	2	Lock Nut, 1/2"-13
7.	G10585	1	Hex Head Cap Screw, 1/2"-13 x 3 1/4"
	G10216	2	Washer, 1/2" USS
	G10111	1	Lock Nut, 1/2"-13
8.	GD7890	2	Link
9.	G10017	2	Hex Head Cap Screw, 1/2"-13 x 1 1/2"
	G10216	2	Washer, 1/2" USS
	G10111	2	Lock Nut, 1/2"-13
10.	GA5715	1	Anchor
11.	G10017	2	Hex Head Cap Screw, 1/2"-13 x 1 1/2"
	G10111	2	Lock Nut, 1/2"-13
12.	GA5718	1	Support Arm
13.	G10572	6	Truss Head Slotted Machine Screw, 5/16"-18 x 7/8"
	G10106	6	Hex Nut, 5/16"-18
14.	GD1132	2	Dust Cap
15.	G10318	2	Hex Head Cap Screw, 5/8"-11 x 4 1/2"
	GD7805	2	Special Washer, 5/8", Hardened
	G10107	2	Lock Nut, 5/8"-11
16.	GA5654	2	Hub W/Bearings
	GA2014	-	Bearing
17.	GD7823	-	Disc Blade, Solid, 12" (Shown)
	GD8307	-	Disc Blade, Notched, 12"
18.	GD7817-01	2	Spacer, 11/16" I.D. x 3/4" Long
	GD7817-04	2	Spacer, 11/16" I.D. x 1/2" Long

ROW UNIT MOUNTED RESIDUE WHEEL

RUA062(RU103/RU103b)

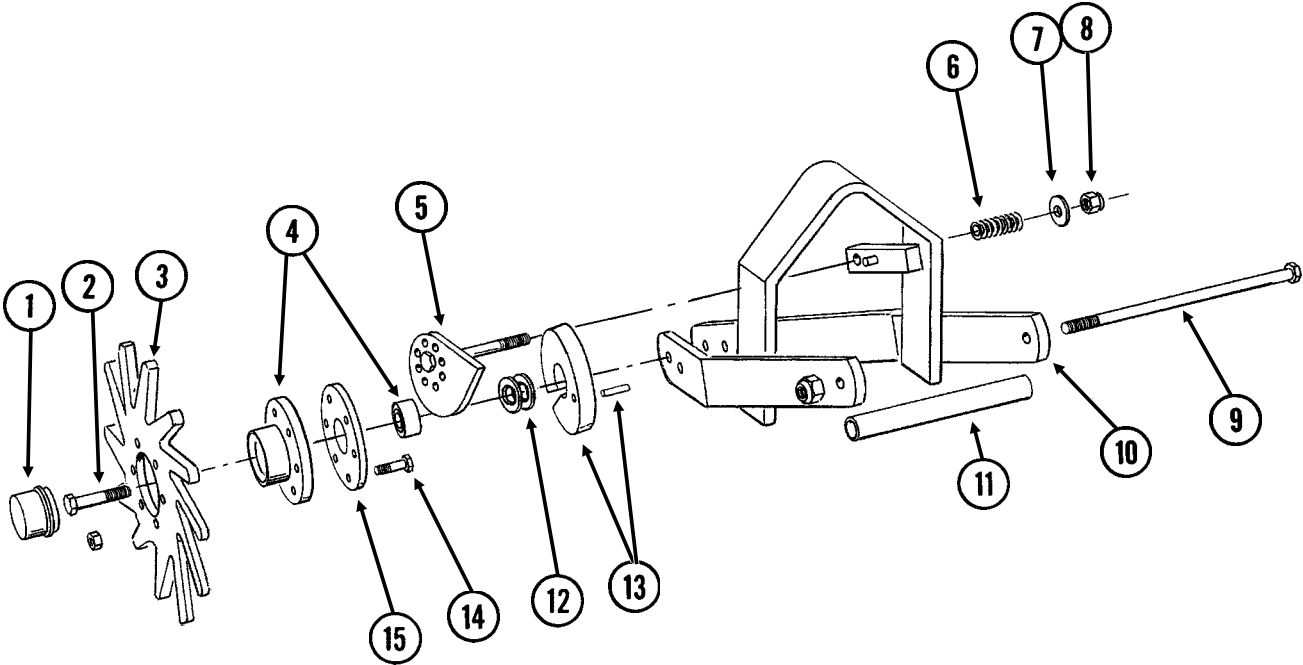


ROW UNIT MOUNTED RESIDUE WHEEL

ITEM	PART NO.	QTY. (Per Row)	DESCRIPTION
1.	GD1132	1	Dust Cap
2.	GD10552	1	Wheel, 3/8" x 12"
3.	G10006	1	Hex Head Cap Screw, 5/8"-11 x 2 1/4"
4.	GD9724	1	Backing Plate
5.	G10133	6	Hex Head Cap Screw, 5/16"-18 x 1 1/2"
	G10109	6	Lock Nut, 5/16"-18
6.	GD9720	2	Spacer, 1/2" x 2 3/16" Long
7.	GA6838	1	Wheel Mount
8.	G10033	2	Hex Head Cap Screw, 1/2"-13 x 3 1/2"
	G10228	2	Lock Washer, 1/2"
	G10102	2	Hex Nut, 1/2"-13
9.	GD5857	2	Spring
10.	G10045	2	Hex Head Cap Screw, 1/2"-13 x 4 1/2"
	G10228	2	Lock Washer, 1/2"
	G10102	2	Hex Nut, 1/2"-13
11.	G10348	1	Hex Head Cap Screw, 1/2"-13 x 5" (Lockup Bolt)
	G10111	1	Lock Nut, 1/2"-13
12.	GD9715	2	Spacer, 1/2" x 3" Long
13.	GA6834	1	Lower Link
14.	GA6832	1	Mount
15.	G10574	4	Carriage Bolt, 1/2"-13 x 1 1/4"
	G10111	4	Lock Nut, 1/2"-13
16.	GA6833	1	Upper Link
17.	G10371	1	Hex Head Cap Screw, 1/2"-13 x 3", Full Thread
	G10501	1	Jam Nut, 1/2"-13
18.	GA5654	1	Hub W/Bearings
	GA2014	-	Bearing
19.	GD12534	-	Cover
A.	GA7446	-	Wheel Assembly (Items 2, 4, 5 And 18)

COULTER MOUNTED RESIDUE WHEELS

RUA063(RU104i)

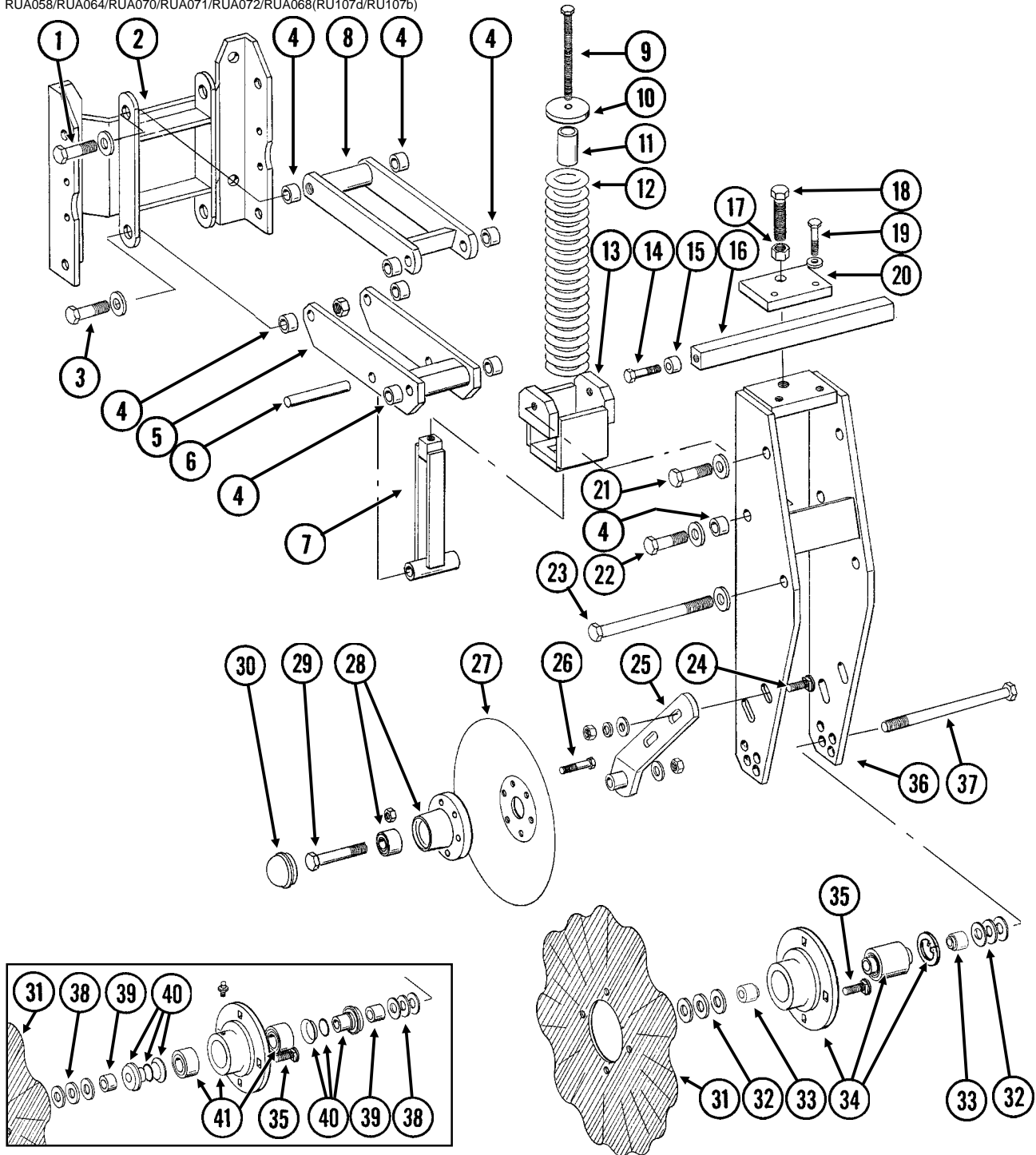


COULTER MOUNTED RESIDUE WHEELS

ITEM	PART NO.	QTY. (Per Row)	DESCRIPTION
1.	GD1132	2	Dust Cap
2.	G10009	2	Hex Head Cap Screw, 5/8"-11 x 2 1/2"
3.	GD10552	2	Wheel, 3/8" x 12"
4.	GA5654	2	Hub W/Bearings
	GA2014	-	Bearing
5.	GA7412	1	Cam
6.	GD10519	1	Spring
7.	G10206	1	Washer, 1/2" SAE
8.	G10974	1	Lock Nut W/Nylon Insert, 1/2"-13
9.	G10148	1	Hex Head Cap Screw, 1/2"-13 x 9 1/2"
	G10974	1	Lock Nut W/Nylon Insert, 1/2"-13
10.	GA7271	1	Mount
11.	GD10526	1	Sleeve, 7 1/2"
12.	G10213	4	Machine Bushing, 5/8" (.030" Thick)
13.	GA8760	2	Weed Guard W/Spring Pin
	G10765	-	Spring Pin, 1/4" x 1"
14.	G10133	12	Hex Head Cap Screw, 5/16"-18 x 1 1/2"
	G10109	12	Lock Nut, 5/16"-18
15.	GD9724	2	Backing Plate
A.	GA7446	-	Wheel Assembly, R.H. (Items 3, 4, 14 And 15) (Shown)
	GA7445	-	Wheel Assembly, L.H. (Items 3, 4, 14 And 15)

FRAME MOUNTED COULTER W/DISC FURROWER

RUA058/RUA064/RUA070/RUA071/RUA072/RUA068(RU107d/RU107b)



ITEM PART NO. QTY. DESCRIPTION
(Per Row)

1.	G10008	2	Hex Head Cap Screw, 5/8"-11 x 2"
	GD7805	2	Special Washer, 5/8", Hardened
2.	GA5798	1	Support Plate
3.	G10008	2	Hex Head Cap Screw, 5/8"-11 x 2"
	GD7805	2	Special Washer, 5/8", Hardened
	G10107	2	Lock Nut, 5/8"-11
4.	GB0218	10	Bushing, 21/32" I.D. x 7/8" O.D. x 19/32" Long
5.	GA5631	1	Lower Parallel Link
6.	GD7815	1	Pin, 5/8" x 4 1/4"
7.	GA5635	1	Spring Guide

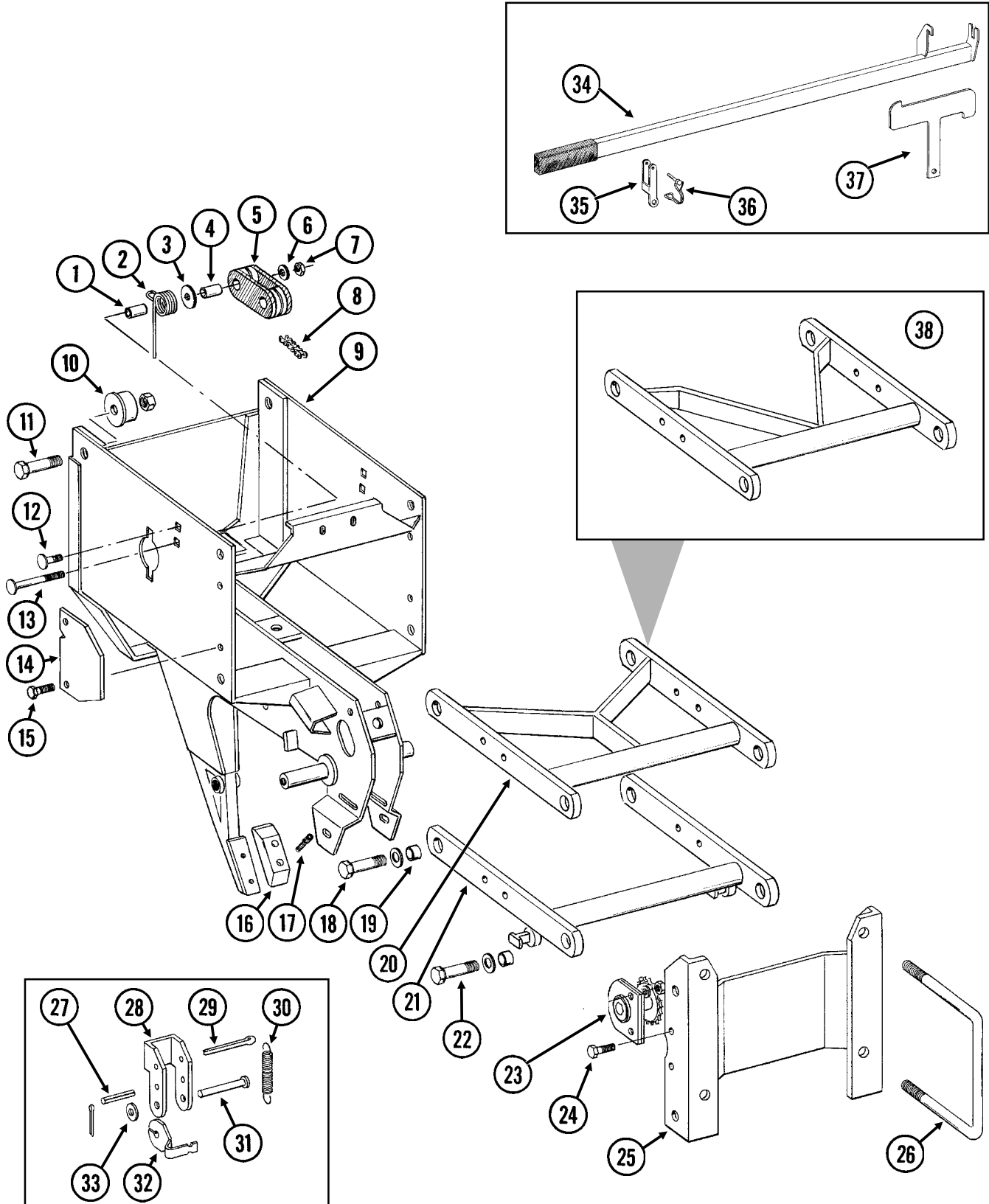
FRAME MOUNTED COULTER W/DISC FURROWER

ITEM	PART NO.	QTY. (Per Row)	DESCRIPTION
8.	GA5630	1	Upper Parallel Link
9.	G10573	1	Hex Head Cap Screw, 5/8"-11 x 5 1/2", Full Thread
10.	GB0196	1	Washer
11.	GD7817-09	1	Spacer, 1 1/16" I.D. x 1 3/4" Long
12.	GD7831	1	Compression Spring
13.	GA5637	1	Spring Socket
14.	GD7818	2	Special Bolt
15.	GD7817-01	2	Spacer, 1 1/16" I.D. x 3/4" Long
16.	GD7816	1	Depth Control Bar
17.	G10104	1	Hex Nut, 5/8"-11
18.	G10582	1	Hex Head Cap Screw, 5/8"-11 x 4", Full Thread
19.	G10581	2	Hex Head Cap Screw, 1/2"-13 x 2 1/4"
	G10228	2	Lock Washer, 1/2"
20.	GD7811	1	Depth Adjustment Clamp
21.	G10008	2	Hex Head Cap Screw, 5/8"-11 x 2"
	GD7805	2	Special Washer, 5/8", Hardened
	GD1109	-	Bushing, 41/64" I.D. x 7/8" O.D. x 1/4" Long (As Required)
	G10107	1	Lock Nut, 5/8"-11
22.	G10055	2	Hex Head Cap Screw, 5/8"-11 x 1 1/4"
	GD7805	2	Special Washer, 5/8", Hardened
23.	G10012	1	Hex Head Cap Screw, 5/8"-11 x 6 1/2"
	GD7805	2	Special Washer, 5/8", Hardened
	GD1109	-	Bushing, 41/64" I.D. x 7/8" O.D. x 1/4" Long (As Required)
	G10107	1	Lock Nut, 5/8"-11
24.	G10747	4	Carriage Bolt, 1/2"-13 x 2"
	G10206	-	Washer, 1/2" SAE (As Required)
	G10228	4	Lock Washer, 1/2"
	G10102	4	Hex Nut, 1/2"-13
25.	GA5636	2	Arm
26.	G10572	12	Truss Head Slotted Machine Screw, 5/16"-18 x 7/8"
	G10106	12	Hex Nut, 5/16"-18
27.	GD7823	2	Disc Blade, Solid, 12" (Shown)
	GD8307	-	Disc Blade, Notched, 12"
28.	GA5654	2	Hub W/Bearings
	GA2014	4	Bearing
29.	G10036	2	Hex Head Cap Screw, 5/8"-11 x 4"
	G10107	2	Lock Nut, 5/8"-11
30.	GD1132	2	Dust Cap
31.	GD7803	1	Disc Blade, Fluted, 1", 8 Flutes (Shown)
	GD7804	-	Disc Blade, Bubbled, 1"
	GD9254	-	Disc Blade, Fluted, 3/4", 13 Flutes
32.	G10213	-	Machine Bushing, 5/8", (.030" Thick) (As Required)
	G10918	-	Machine Bushing, 5/8", 14 Gauge (As Required)
33.	GD11698	2	Adapter
34.	GA8641	1	Hub W/Bearing And Retaining Ring
	GA8603	-	Double Row Bearing
	GD11652	-	Retaining Ring, 2 7/16"
35.	G10574	4	Carriage Bolt, 1/2"-13 x 1 1/4"
	G10111	4	Lock Nut, 1/2"-13
36.	GA5643	1	Fork Mount
37.	G10068	1	Hex Head Cap Screw, 5/8"-11 x 6"
	G10107	1	Lock Nut, 5/8"-11
38.	G10217	-	Washer, 5/8" USS (As Required)
39.	GD7817-04	2	Spacer, 1 1/16" I.D. x 1/2" Long
40.	GB0227	2	Adapter W/O-Ring And Spring Washer
	GD8844	-	O-Ring
	GD8843	-	Spring Washer
41.	GA5640	1	Hub W/Bearings And Grease Fitting (Sub G1K290)
	GA5622	-	Bearing (2 Used Per Hub)
	G10640	-	Grease Fitting, 1/4"-28

INTERPLANT® PUSH ROW UNIT

RPU011/RPU012/RPU013(RU89/RU121/RU89i)

NOTE: Push row units use the same seed tube, row unit depth adjustment components, quick adjustable down force springs, 15" opener disc blades, gauge wheels, closing wheels, meter drive and seed hopper as the pull row unit. See those pages for common parts.

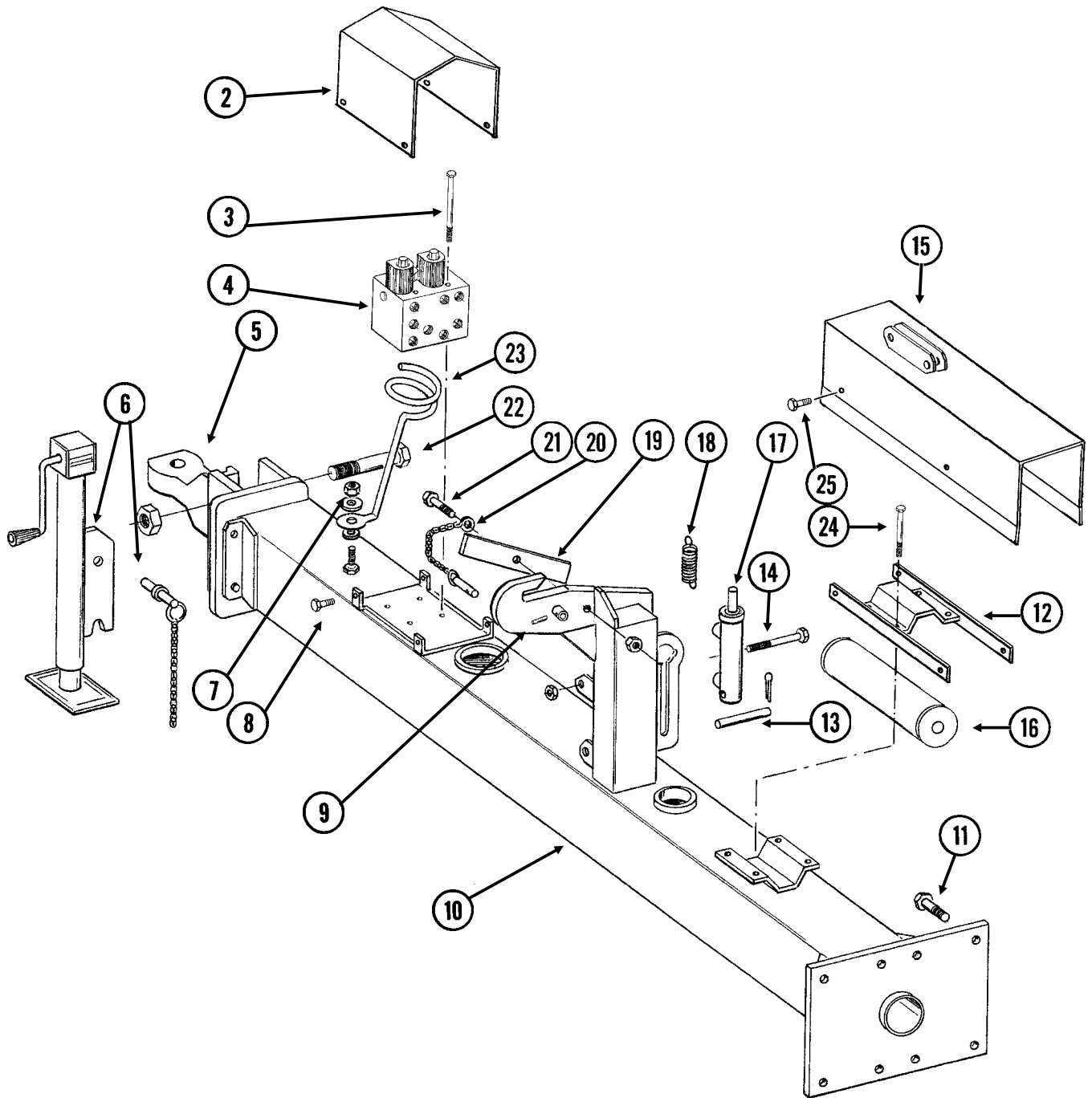
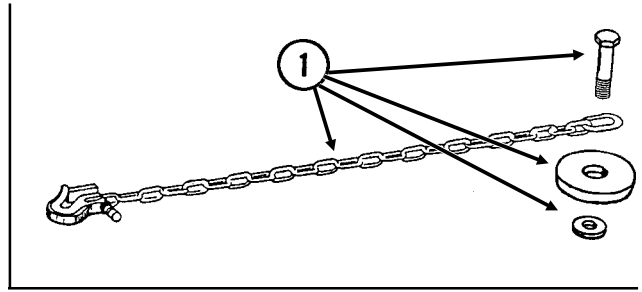


INTERPLANT® PUSH ROW UNIT

ITEM	PART NO.	QTY. (Per Row)	DESCRIPTION
1.	GD8893-01	1	Sleeve, 1 3/8" Long
2.	GD11218	1	Spring
3.	G10201	1	Special Washer, 3/8" x 1 1/2" O.D.
4.	GD1026	1	Sleeve, 1 3/16" Long
5.	GD11962	1	Idler
6.	G10210	1	Washer, 3/8" USS
7.	G10108	1	Lock Nut, 3/8"-16
8.	G3303-96	1	Chain, No. 41, 96 Pitch Including Connector Link
	GR0196	1	Connector Link, No. 41
9.	GA8037	-	Push Unit Shank
10.	GB0286	2	Hopper Mount
11.	G10751	2	Hex Head Cap Screw, 5/8"-18 x 1 3/4"
	G10412	2	Lock Nut, 5/8"-18
12.	G10599	1	Carriage Bolt, 3/8"-16 x 1 1/4"
	G10101	1	Hex Nut, 3/8"-16
	G10108	1	Lock Nut, 3/8"-16
13.	G10307	1	Carriage Bolt, 3/8"-16 x 3 1/2"
14.	GD10867	2	Stop
15.	G10004	4	Hex Head Cap Screw, 3/8"-16 x 1 1/4"
	G10108	4	Lock Nut, 3/8"-16
16.	GB0284	1	Seed Tube Guard/Inner Scraper
17.	G10912	2	Hex Socket Head Cap Screw, 5/16"-18 x 1", Grade 8
18.	G10751	4	Hex Head Cap Screw, 5/8"-18 x 1 3/4"
	GD7805	4	Special Washer, 5/8", Hardened
	G10412	4	Lock Nut, 5/8"-18
19.	GB0218	8	Bushing, 21/32" I.D. x 7/8" O.D. x 19/32" Long
20.	GA5788	1	Upper Arm
21.	GA5787	1	Lower Arm
22.	G10732	4	Hex Head Cap Screw, 5/8"-18 x 2"
	GD7805	4	Special Washer, 5/8", Hardened
	G10412	4	Lock Nut, 5/8"-18
23.	GA1720	1	Bearing/Sprocket, 7/8" Hex Bore
24.	G10004	2	Hex Head Cap Screw, 3/8"-16 x 1 1/4"
	G10229	2	Lock Washer, 3/8"
	G10101	2	Hex Nut, 3/8"-16
25.	GA5786	1	Mounting Plate
26.	GD1113	2	U-Bolt, 5" x 7" x 5/8"-11
	G10230	4	Lock Washer, 5/8"
	G10104	4	Hex Nut, 5/8"-11
27.	G10718	2	Spring Pin, 5/16" x 1 1/8"
28.	GD11264	2	Lockup
29.	G10463	2	Cotter Pin, 1/4" x 1 1/2"
30.	GD11447	2	Spring
31.	G10284	2	Clevis Pin, 1/2" x 1 1/2"
	G10456	2	Cotter Pin, 1/8" x 3/4"
32.	GD11263	2	Spring Tab
33.	G10216	2	Washer, 1/2" USS
34.	GA8651	1	Lift Lever W/Boot
	GD11649	-	Boot
35.	GD11659	1	Bracket
36.	GD9695	1	Wire Lock Pin, 1/4" x 1 3/4"
37.	GD11752	1	Mount
38.	GA8930	-	Upper Arm

HITCH AND SAFETY CHAIN

WAC011/PHA048/PHS049(WGN47b/TWL169)

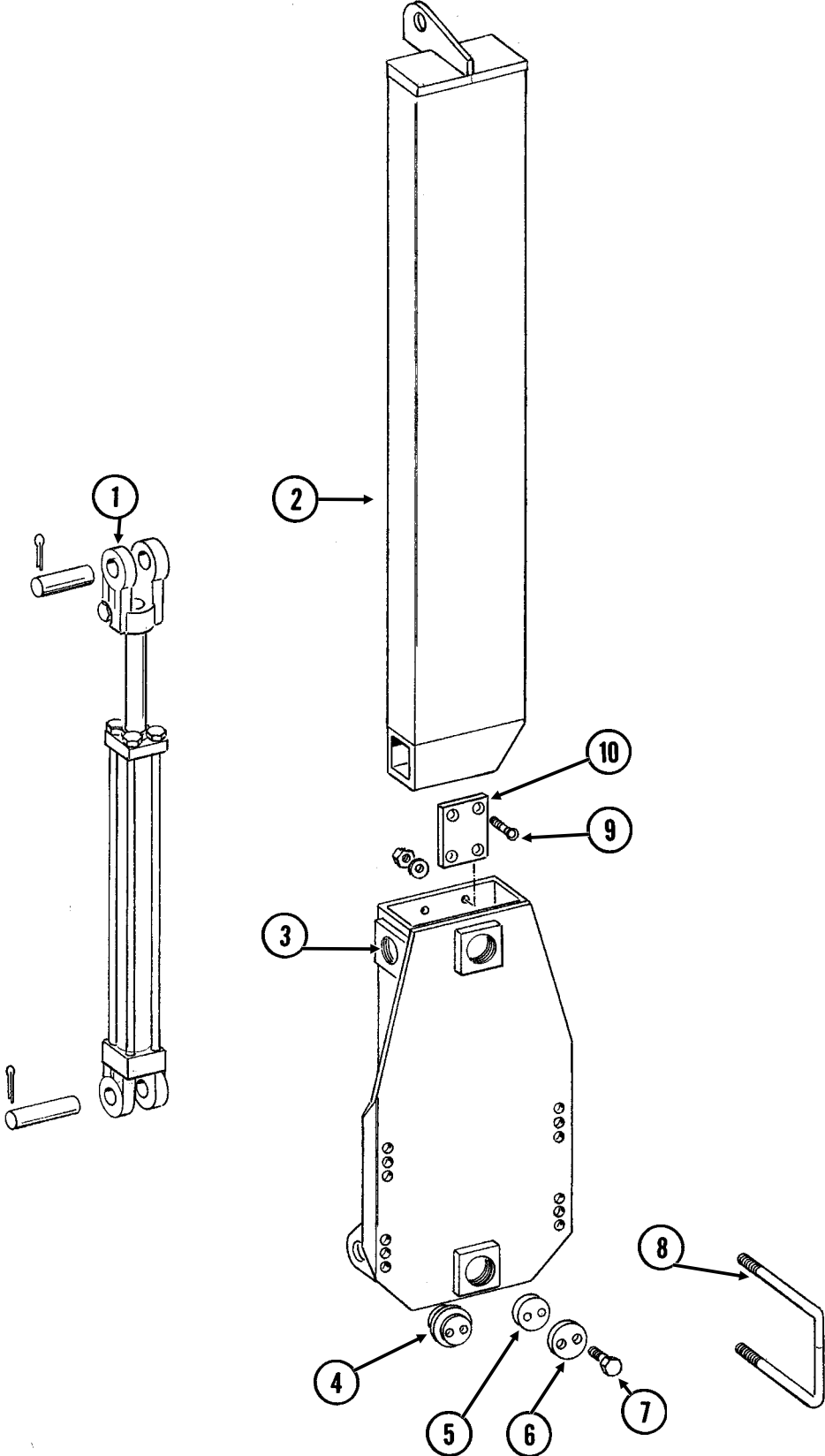


HITCH AND SAFETY CHAIN

ITEM	PART NO.	QTY.	DESCRIPTION
1.	G1K299	1	Safety Chain Kit, 3/8" (Optional)
	G10119	1	Hex Head Cap Screw, 1"-8 x 3"
	GD10646	1	Special Washer
	G10200	1	Washer, 1" USS
	G10396	1	Lock Nut, 1"-8
2.	GD11510	-	Cover
3.	G10935	4	Hex Head Cap Screw, 1/4"-20 x 5"
	G10209	4	Washer, 1/4" USS
	G10227	4	Lock Washer, 1/4"
4.		-	See "Valve Block - Located On Hitch", Page P65
5.	GB0237	1	Clevis, Single
6.	GA4994	1	Jack Assembly Complete
	GA4995	-	Detent Pin Assembly
	GR0517	-	Pin
	GR0516	-	Crank Assembly
	GR0515	-	Bevel Gear
7.	G10217	1	Washer, 5/8" USS
	G10107	1	Lock Nut, 5/8"-11
8.	G10043	4	Hex Head Cap Screw, 5/16"-18 x 3/4"
	G10232	4	Lock Washer, 5/16"
	G10106	4	Hex Nut, 5/16"-18
9.	G10765	-	Spring Pin, 1/4" x 1"
10.	A8349	-	Front Hitch (Non-Stock Item)
11.	G10441	8	Hex Head Cap Screw, 7/8"-9 x 3", Grade 8
	GD10063	16	Hardened Washer
	G10442	8	Hex Nut, 7/8"-9
12.	GA8765	1	Cover Mount
13.	GD7137	1	Pin, 3/4" x 3 3/8"
	G10457	2	Cotter Pin, 5/32" x 1 1/2"
14.	G10061	1	Hex Head Cap Screw, 3/8"-16 x 3 1/2"
	GD2971-09	1	Sleeve, 2" Long
	G10229	1	Lock Washer, 3/8"
	G10101	1	Hex Nut, 3/8"-16
15.	GA8764	1	Cover/Bracket, Jack Storage
16.		-	See "Master Cylinder", Page P56
17.		-	See "Transport Latch Cylinder", Page P59
18.	GD5857	1	Spring
19.	GA7016	1	Catch Bar
20.	GA7022	1	Detent Pin W/Chain (Transport Latch Locking Pin)
21.	G10006	1	Hex Head Cap Screw, 5/8"-11 x 2 1/4"
	GB0218	1	Bushing, 21/32" I.D. x 7/8" O.D. x 19/32" Long
	GD5154	1	Shim, 4" x 4"
	G10107	1	Lock Nut, 5/8"-11
22.	G10169	1	Hex Head Cap Screw, 1 1/4"-7 x 6"
	G10157	1	Lock Nut, 1 1/4"-7
23.	GD8260	1	Hose Holder
24.	G10063	4	Hex Head Cap Screw, 3/8"-16 x 4"
	G10029	4	Lock Washer, 3/8"
	G10101	4	Hex Nut, 3/8"-16
25.	G10001	4	Hex Head Cap Screw, 3/8"-16 x 1"
	G10229	4	Lock Washer, 3/8"

TRANSPORT LATCH POST

PHA049(2400m)

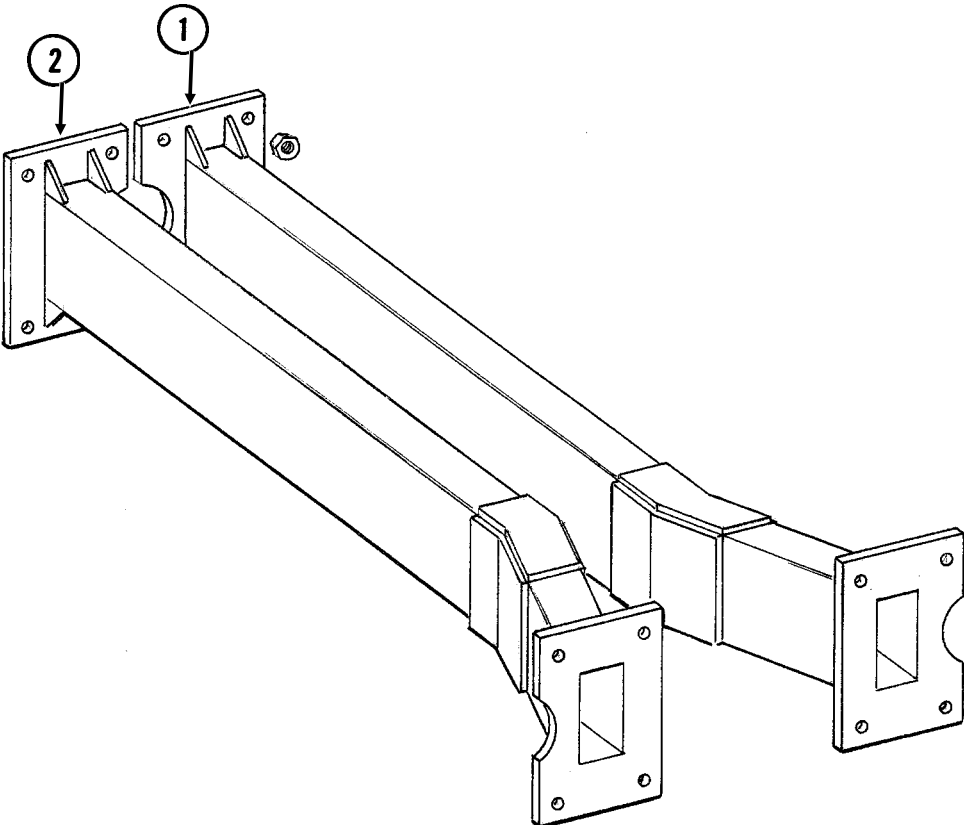
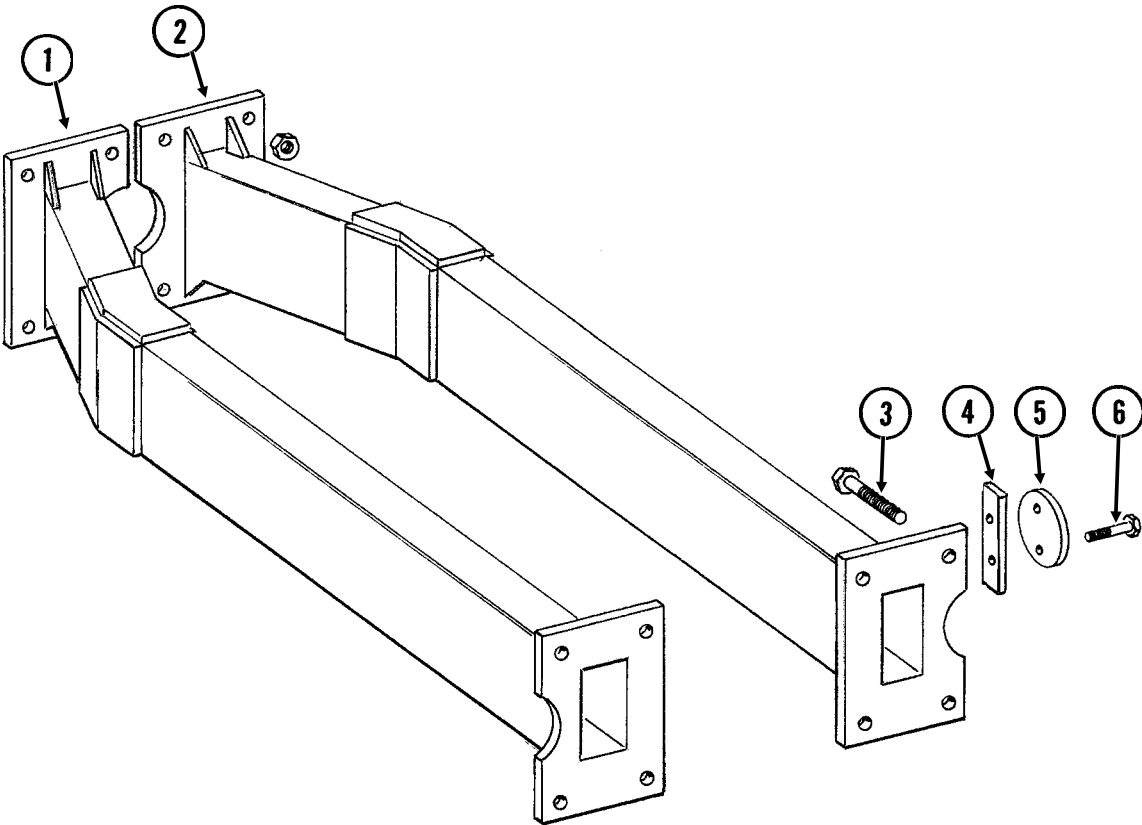


TRANSPORT LATCH POST

ITEM	PART NO.	QTY.	DESCRIPTION
1.		-	See "Transport Latch Post Cylinder", Page P60
2.	GA8356	1	Catch Post
3.	GA8357	1	Catch Mount
4.	GD9093	6	Poly Wear Pad
5.	GB0230	6	Cap
6.	GB0234	6	Adjustment Plug
7.	G10438	8	Hex Head Cap Screw, 1/2"-13 x 3/4"
	G10014	4	Hex Head Cap Screw, 1/2"-13 x 1"
8.	GD11489	2	U-Bolt, 3" x 6" x 5/8"-11
	G10230	4	Lock Washer, 5/8"
	G10104	4	Hex Nut, 5/8"-11
9.	G10934	8	Flat Head Hex Socket Cap Screw, 5/16"-18 x 1"
	G10221	8	Washer, 5/16" SAE
	G10232	8	Lock Washer, 5/16"
	G10106	8	Hex Nut, 5/16"-18
10.	GD11473	2	Pad

HITCH EXTENSIONS

PHA050/PHA051(2400L)

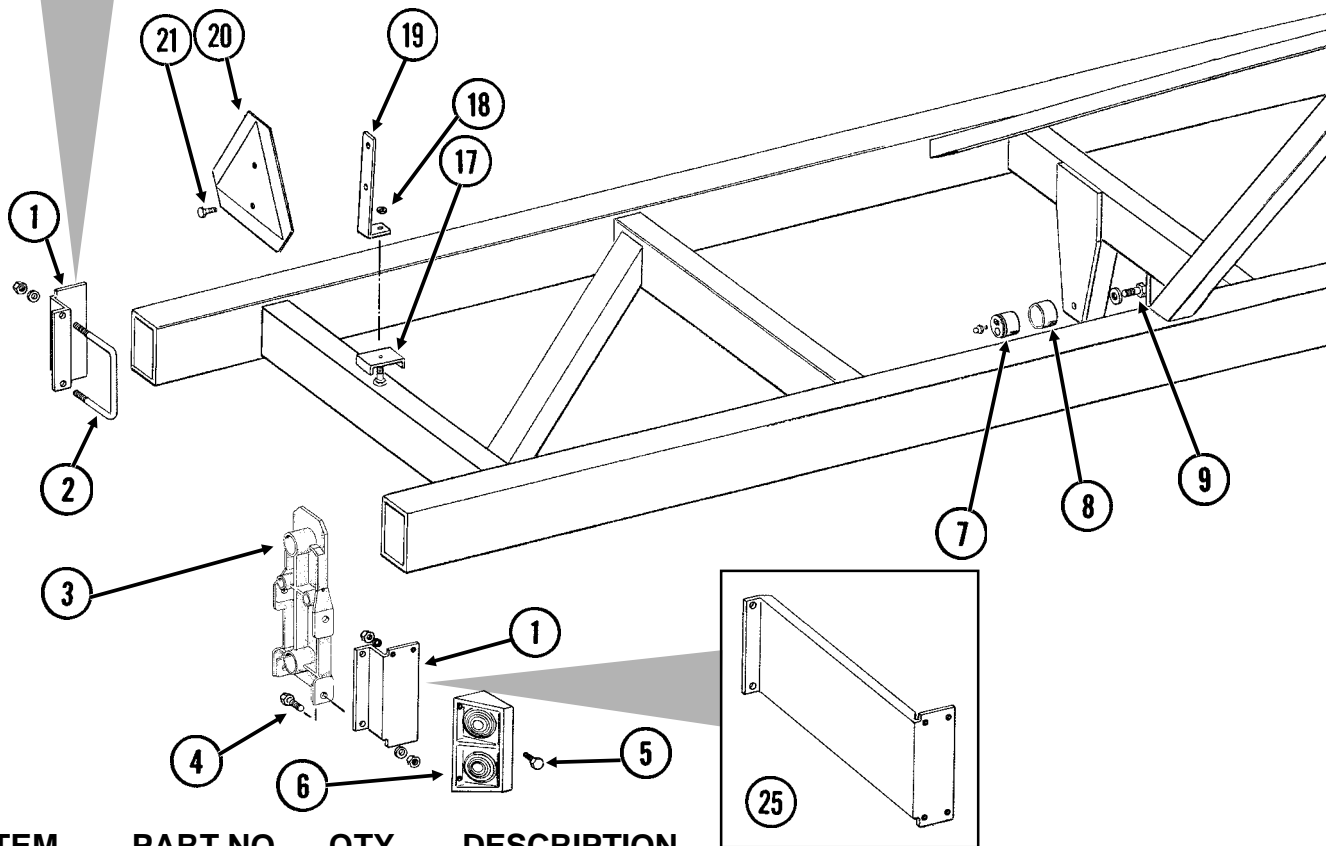
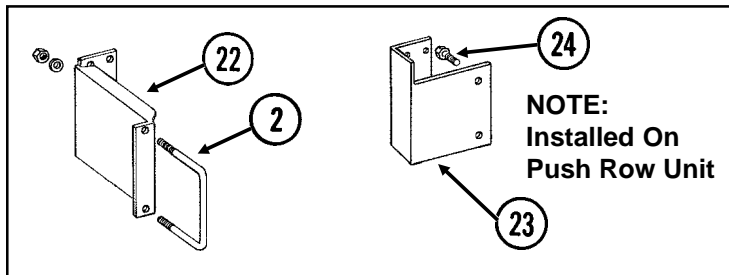


HITCH EXTENSIONS

ITEM	PART NO.	QTY.	DESCRIPTION
1.	GA8350	1	Hitch Extension W/Push Unit Hole, R.H.
2.	GA8362	1	Hitch Extension W/Fertilizer Hole, L.H.
3.	G10441	8	Hex Head Cap Screw, $\frac{7}{8}$ "-9 x 3", Grade 8
	GD10063	16	Hardened Washer
	G10442	8	Hex Nut, $\frac{7}{8}$ "-9
4.	GD11512	1	Dust Cap Bar
5.	GD11507	1	Dust Cap
6.	G10048	2	Hex Head Cap Screw, $\frac{3}{8}$ "-16 x 2"
	G10229	2	Lock Washer, $\frac{3}{8}$ "

PLANTER FRAME

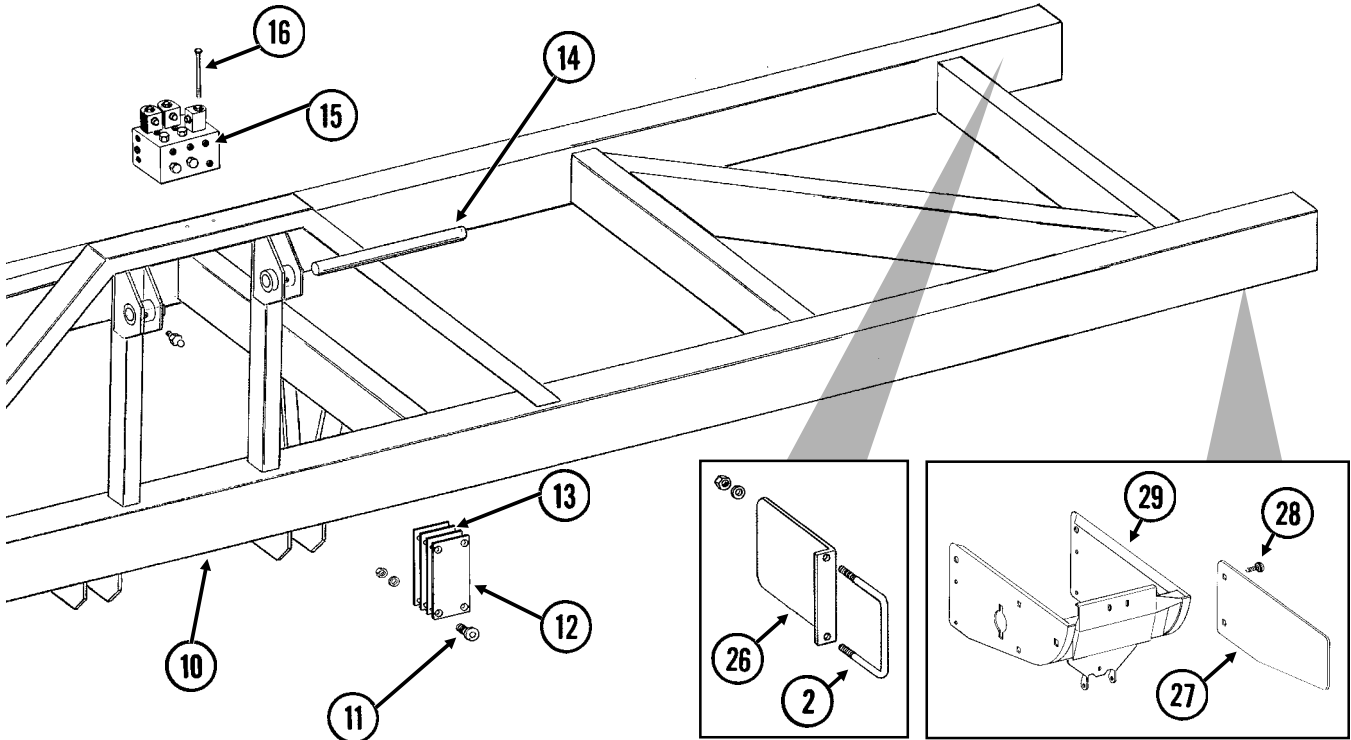
PFA080/PFA081a/PFA081b/PFA081c/PFA084(TWL178/TWL180/2400i/TWL179/2400j/TWL181/TWL182)



ITEM	PART NO.	QTY.	DESCRIPTION
------	----------	------	-------------

1.	GA6792	2	Light Bracket
2.	GD1113	1-2	U-Bolt, 5" x 7" x 5/8"-11
	G10230	2-4	Lock Washer, 5/8"
	G10104	2-4	Hex Nut, 5/8"-11
3.		-	See "Transmission", Pages P50 And P51
4.	G10005	2	Hex Head Cap Screw, 5/8"-11 x 1 3/4"
	G10230	2	Lock Washer, 5/8"
	G10104	2	Hex Nut, 5/8"-11
5.	G10064	8	Hex Head Cap Screw, 1/4"-20 x 1"
	G10227	8	Lock Washer, 1/4"
	G10103	8	Hex Nut, 1/4"-20
6.		-	See "Electrical Components", Pages P72 And P73
7.	GA6497	2	Cam Follower W/Grease Fitting
	G10640	-	Grease Fitting, 1/4"-28
8.	GD10532	2	Sleeve
9.	G10025	2	Hex Head Cap Screw, 3/4"-10 x 1 1/2"
	G10231	2	Lock Washer, 3/4" (If Applicable)
	GD9052	2	Special Washer, 3/4" I.D. x 2" O.D.
10.	A8352	1	Frame, 270" (Non-Stock Item)

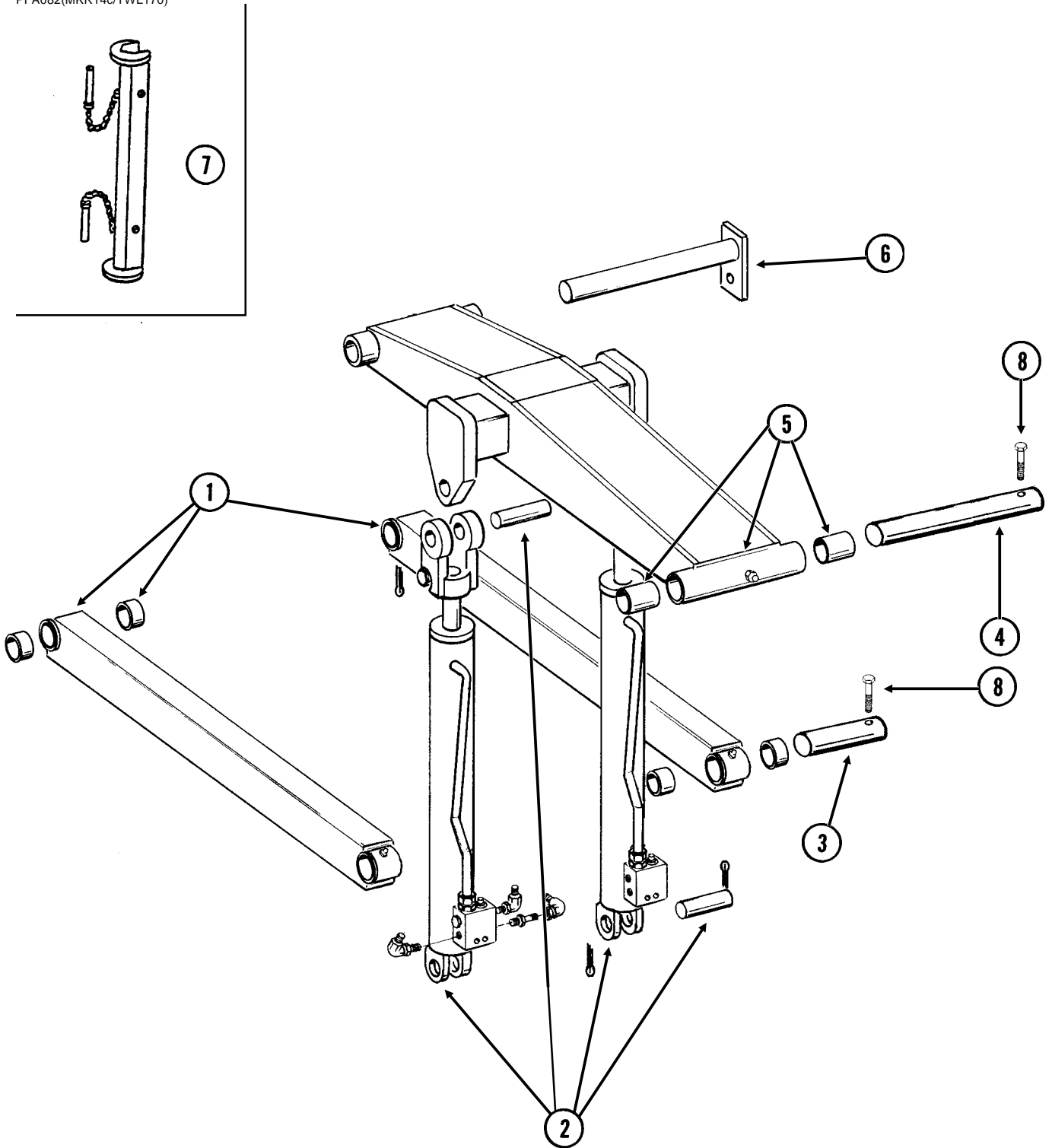
PLANTER FRAME



ITEM	PART NO.	QTY.	DESCRIPTION
11.	G10361	8	Flat Head Hex Socket Countersunk Cap Screw, 1/2"-13 x 1 1/2"
	G10228	8	Lock Washer, 1/2"
	G10102	8	Hex Nut, 1/2"-13
12.	GD11362	2	Push Pad
13.	GD11359	6	Shim
14.		-	See "Frame Lift Linkage", Pages P40 And P41
15.		-	See "Valve Block - Located On Rear Center Frame", Page P67
16.	G10937	1	Hex Head Cap Screw, 3/8"-16 x 6 1/2"
	G10954	1	Hex Head Cap Screw, 3/8"-16 x 7"
	G10210	2	Washer, 3/8" USS
	G10229	2	Lock Washer, 3/8"
	G10101	2	Hex Nut, 3/8"-16
17.	GD0740	-	Hose Clamp, 3/4" x 4" x 3 1/2"
	GD5875	-	Hose Clamp, 9/16" x 2 1/2" x 2"
18.	G10101	-	Hex Nut, 3/8"-16
19.	GD11555	-	SMV Bracket
20.			See "SMV Sign, Decals, Reflectors And Tie Straps", Pages P94-P96
21.	G10022	2	Hex Head Cap Screw, 1/4"-20 x 1/2"
	G10227	2	Lock Washer, 1/4"
	G10103	2	Hex Nut, 1/4"-20
22.	GA9061	1	Light Bracket, Short
23.	GD12703	1	Push Row Unit Light Bracket
24.	G10001	2	Hex Head Cap Screw, 3/8"-16 x 1"
	G10229	2	Lock Washer, 3/8"
	G10101	2	Hex Nut, 3/8"-16
25.	GA9062	1	Light Bracket, Long
26.	GA9063	1	Reflective Decal Bracket
27.	GD12710	1	Reflective Decal Bracket
28.	G10312	2	Carriage Bolt, 5/16"-18 x 3/4"
	G10620	2	Flange Nut, 5/16"-18
29.		-	See "Hopper Support And Meter Drive", Page P12

FRAME LIFT LINKAGE

PFA082(MKR14c/TWL170)

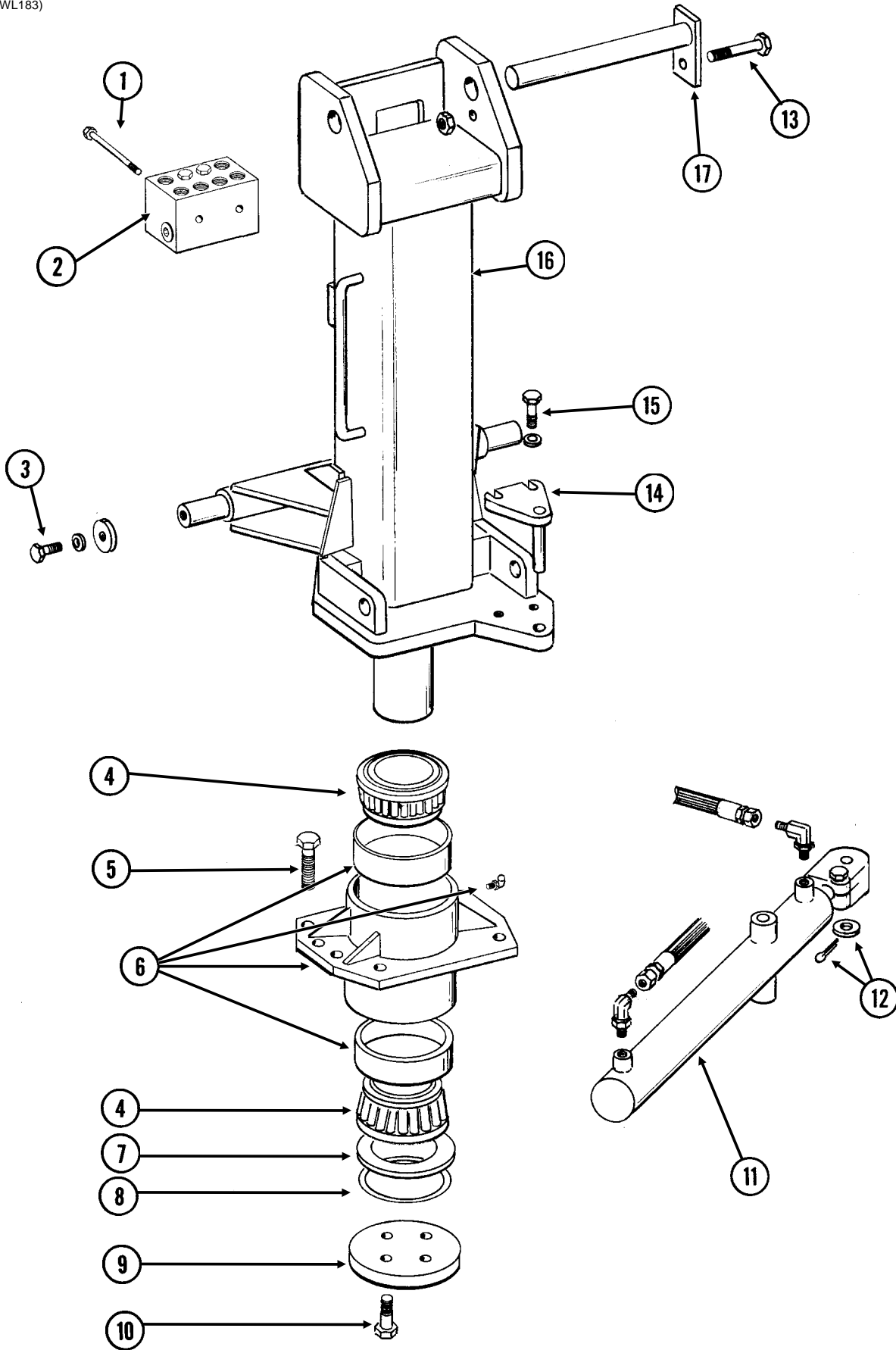


FRAME LIFT LINKAGE

ITEM	PART NO.	QTY.	DESCRIPTION
1.	GA8762	2	Lower Arm W/Grease Fittings And Bronze Bushings
	G10640	-	Grease Fitting, 1/4"-28
	GD11428	-	Bronze Bushing, 1 1/4" Wide (4 Per Arm)
2.		-	See "Slave Cylinder", Page P55
3.	GD11444	2	Pin, 1 3/4" x 7 3/8"
4.	GD11445	1	Pin, 1 3/4" x 18 1/4"
5.	GA8372	1	Upper Lift Arm W/Grease Fittings And Bronze Bushings
	G10641	-	Grease Fitting, 1/8" NPT
	G10373	-	Grease Fitting, 45°, 1/8"-27
	GD11427	-	Bronze Bushing, 2" Wide (4 Per Arm)
	GD11751	-	Steel Bushing, 1" Wide (2 Per Arm)
6.		-	See "Center Pivot", Pages P42 And P43
7.	GA8172	2	Safety Lockup W/Detent Pins, 20"
	G10536	-	Detent Pin, 1/2" x 2 1/2"
8.	G10755	3	Hex Head Cap Screw, 5/16"-18 x 3"
	G10109	3	Hex Nut, 5/16"-18

CENTER PIVOT

PFA083(TWL183)

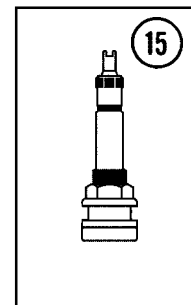
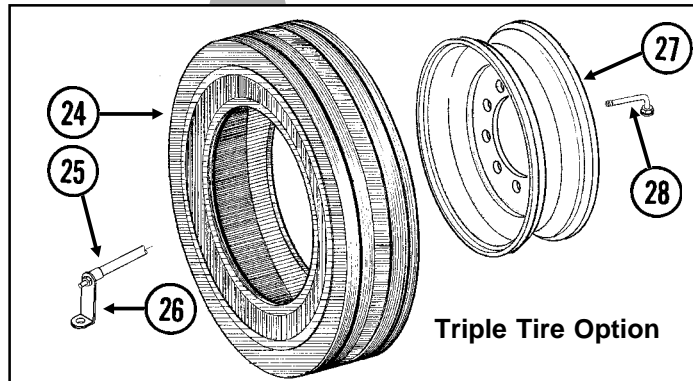
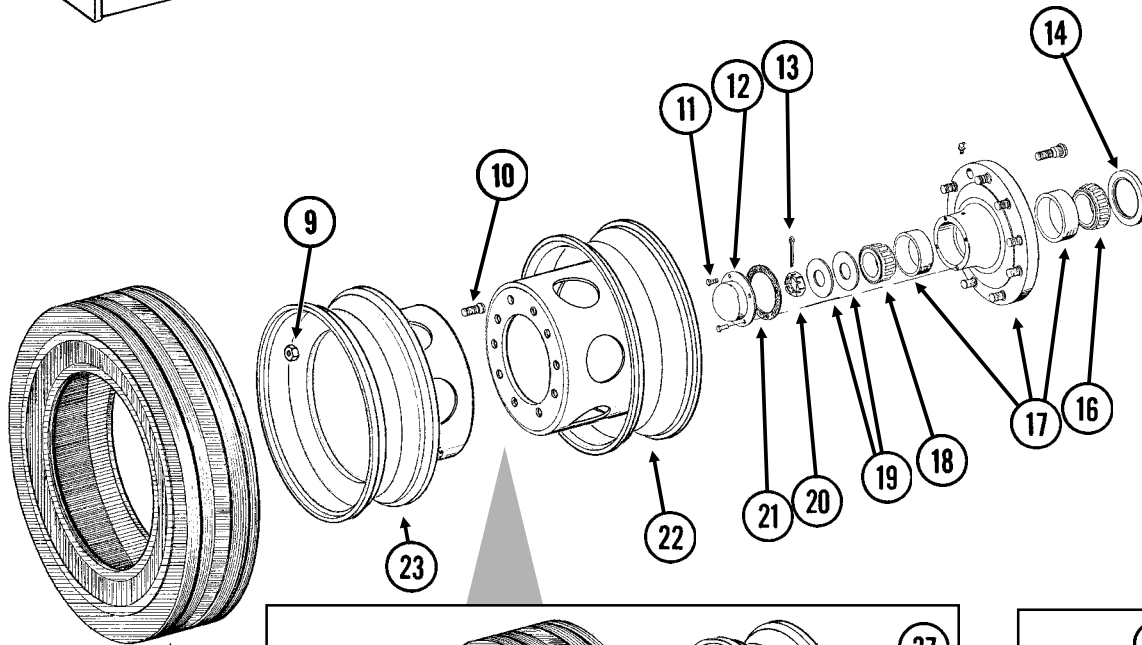
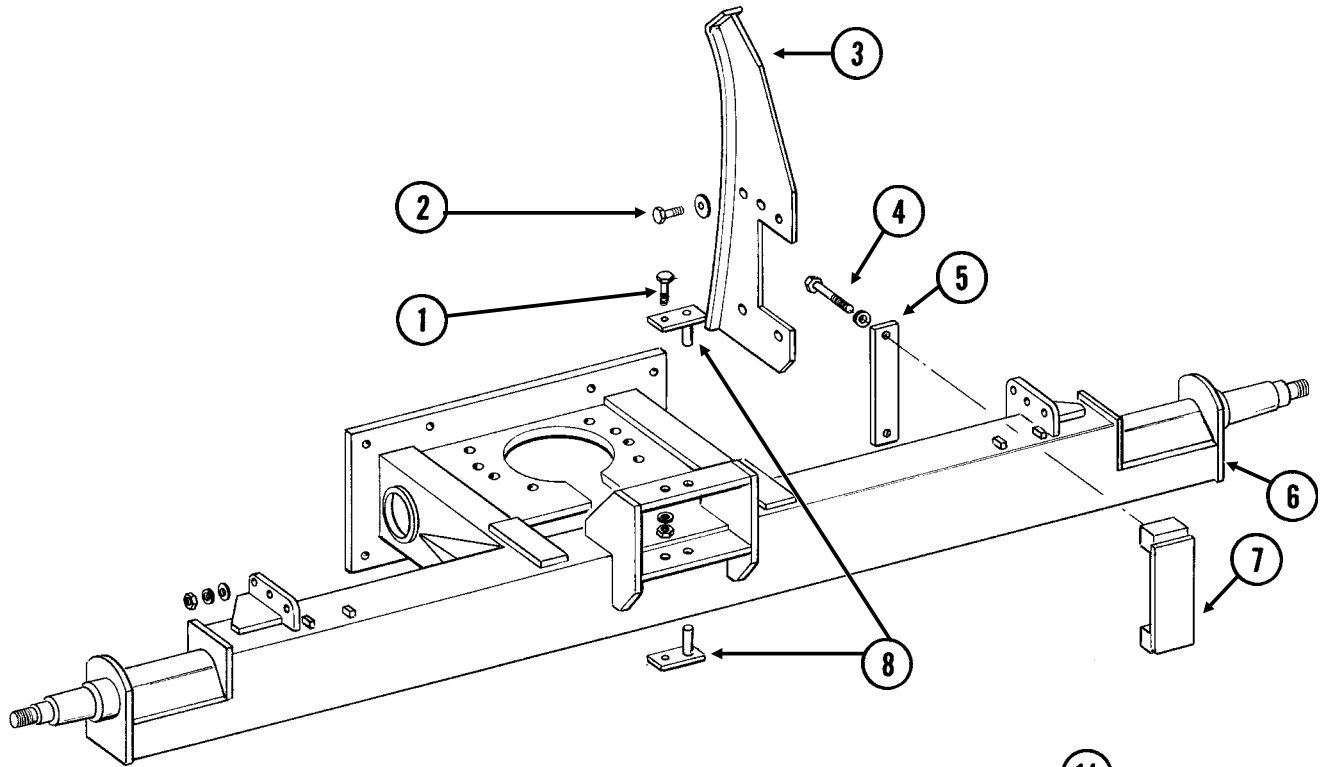


CENTER PIVOT

ITEM	PART NO.	QTY.	DESCRIPTION
1.	G10936	2	Hex Head Cap Screw, $\frac{5}{16}$ "-18 x 3 $\frac{1}{2}$ "
	G10210	2	Washer, $\frac{3}{8}$ " USS
	G10229	2	Lock Washer, $\frac{3}{8}$ "
2.		-	See "Junction Block - Located On Front Of Center Pivot", Page P66
3.	G10007	2	Hex Head Cap Screw, $\frac{5}{8}$ "-11 x 1 $\frac{1}{2}$ "
	GD11456	2	Washer, $\frac{11}{16}$ " I.D. x 2 $\frac{1}{2}$ " O.D. x $\frac{1}{4}$ " Thick
	GD7805	2	Special Washer, $\frac{5}{8}$ ", Hardened
	G10230	2	Lock Washer, $\frac{5}{8}$ "
4.	GA7096	2	Cone
5.	G10441	8	Hex Head Cap Screw, $\frac{7}{8}$ "-9 x 3", Grade 8
	GD10063	8	Hardened Washer
	G10442	8	Hex Nut, $\frac{7}{8}$ "-9
6.	GA7067	1	Bearing Housing W/Cups And Grease Fitting
	GD10011	-	Cup
	G10779	-	Grease Fitting, 90°, $\frac{1}{4}$ "-28
7.	GD10012	10	Shim, .005" Thick (As Required)
	GD10014	10	Shim, .007" Thick (As Required)
	GD10013	10	Shim, .020" Thick (As Required)
8.	GD9130	1	O-Ring
9.	GD9636	1	Bearing Cap
10.	G10027	4	Hex Head Cap Screw, $\frac{3}{4}$ "-10 x 2 $\frac{1}{2}$ "
	GD2169	4	Special Washer, $\frac{25}{32}$ " I.D. x 1 $\frac{1}{4}$ " O.D.
11.		-	See "Rotation Cylinder", Pages P61 And P62
12.	G10139	1	Washer, 1 $\frac{1}{4}$ " USS
	G10460	1	Cotter Pin, $\frac{1}{4}$ " x 2"
13.	G10016	1	Hex Head Cap Screw, $\frac{1}{2}$ "-13 x 2"
	G10228	1	Lock Washer, $\frac{1}{2}$ "
	G10102	1	Hex Nut, $\frac{1}{2}$ "-13
14.	GA8351	1	Hammer Strap
15.	G10394	2	Hex Head Cap Screw, $\frac{3}{4}$ "-16 x 2"
	GD2169	2	Special Washer, $\frac{25}{32}$ " I.D. x 1 $\frac{1}{4}$ " O.D.
	G10231	2	Lock Washer, $\frac{3}{4}$ "
16.	GA9064	1	Center Post
17.	GA8374	1	Hammer Strap

AXLE AND TRANSPORT/GROUND DRIVE WHEEL ASSEMBLY

HTA047/HTA048(2400q/TWL184/A7434)



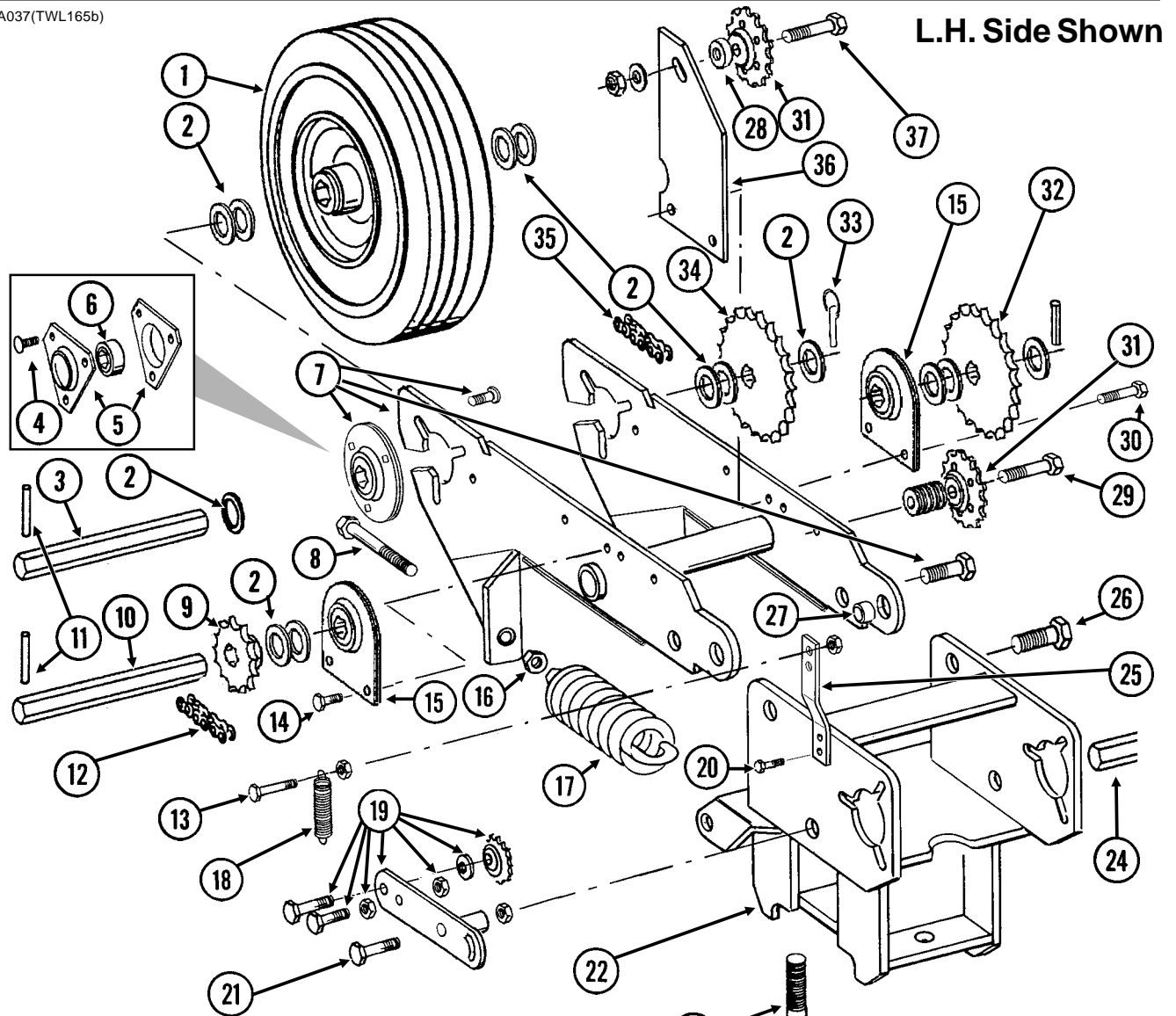
AXLE AND TRANSPORT/GROUND DRIVE WHEEL ASSEMBLY

ITEM	PART NO.	QTY. (Per Assy.)	DESCRIPTION
1.	G10017	2	Hex Head Cap Screw, 1/2"-13 x 1 1/2"
	G10228	2	Lock Washer, 1/2"
	G10102	2	Hex Nut, 1/2"-13
2.	G10008	10	Hex Head Cap Screw, 5/8"-11 x 2"
	GD7805	20	Special Washer, 5/8", Hardened
	G10107	10	Lock Nut, 5/8"-11
3.	GA8402	1	Cam Guide
4.	G10318	2	Hex Head Cap Screw, 5/8"-11 x 4 1/2"
	G10230	2	Lock Washer, 5/8"
5.	GD11454	1	Bar
6.	GA8348	1	Axle
7.	GA8383	1	Push Pad
8.	GA8405	2	Hammer Strap
9.	GD9509	10	Outer Budd Nut
10.	GD12567	10	Inner Budd Nut, 2 5/8" Long
11.	G10376	4	Hex Head Cap Screw, 5/16"-18 x 3/4"
12.	GD1529	1	Dust Cap
13.	G10460	1	Cotter Pin, 1/4" x 2"
14.	GA5988	1	Seal
15.	GA7434	1	Valve Stem
16.	GA5987	1	Inner Bearing
17.	GA5965	1	Hub W/Cups, Grease Fitting And Bolts (10 Bolt)
	GR0322	-	Outer Cup
	GD8532	-	Inner Cup
	G10373	-	Grease Fitting, 45°, 1/8"-27
	GR0257	-	Bolt, 3/4"-16 x 2 1/2"
18.	GA0705	1	Outer Bearing
19.	G10139	2	Washer, 1 1/4" USS
20.	G10070	1	Slotted Hex Nut, 1 1/4"-12
21.	GD1536	1	Seal
22.	GA8354	1	Long Rim, 15 1/4" Deep
23.	GA8353	1	Short Rim, 11 1/4" Deep
24.	GD10785	2-3	Tubeless Tire, 255-70R 22.5" W/O Center Rib (Specify Brand*)
25.	GA9056	1	Air Hose
26.	GD12704	1	Bracket
27.	GA8952	1	Center Rim Weld
28.	GA9139	1	Air Hose Elbow, 90°

* Specific brand requests will be supplied only as available from current KINZE® stock. If a specific brand requested is not in stock, the brand available will be supplied.

CONTACT DRIVE WHEEL ASSEMBLY

PLA037(TWL165b)



ITEM	PART NO.	QTY. (Per Wheel)	DESCRIPTION
1.	GA5090 GD5753 GD5752	- 1 1	Tire And Rim Assembly (Specify Brand*) Tire, 4.10" x 6" (Specify Brand*) Tube
2.	G10233	-	Machine Bushing, 1", 10 Gauge
3.	GD6825-10.25	1	Hex Shaft, 7/8" x 10 1/4" (2 Holes)
4.	G10303 G10219 G10232 G10106	6 6 6 6	Carriage Bolt, 5/16"-18 x 1" Washer, 5/16" USS Lock Washer, 5/16" Hex Nut, 5/16"-18
5.	G3400-01	4	Flangette
6.	G2100-03	2	Bearing, 7/8" Hex Bore, Spherical
7.	A7370	1	Arm W/Flange Bearings And Hardware (Non-Stock Item) (Sub G1K253)
	G10303 G10232 G10106 GA8789 G10971 G10055 G10107	6 6 6 2 - 2 2	Carriage Bolt, 5/16"-18 x 1" Lock Washer, 5/16" Hex Nut, 5/16"-18 Flange Bearing W/Grease Fitting, 7/8" Hex Bore Grease Fitting, 45°, 1/4" Drive-In Hex Head Cap Screw, 5/8"-11 x 1 1/4" (Stop Bolt) Lock Nut, 5/8"-11
8.	G10890	2	Hex Head Adjusting Bolt, 1/2"-13 x 4", Grade 2
9.	GA5105	1	Sprocket, 15 Tooth
10.	GD6825-11.375	1	Hex Shaft, 7/8" x 11 3/8" (2 Holes)

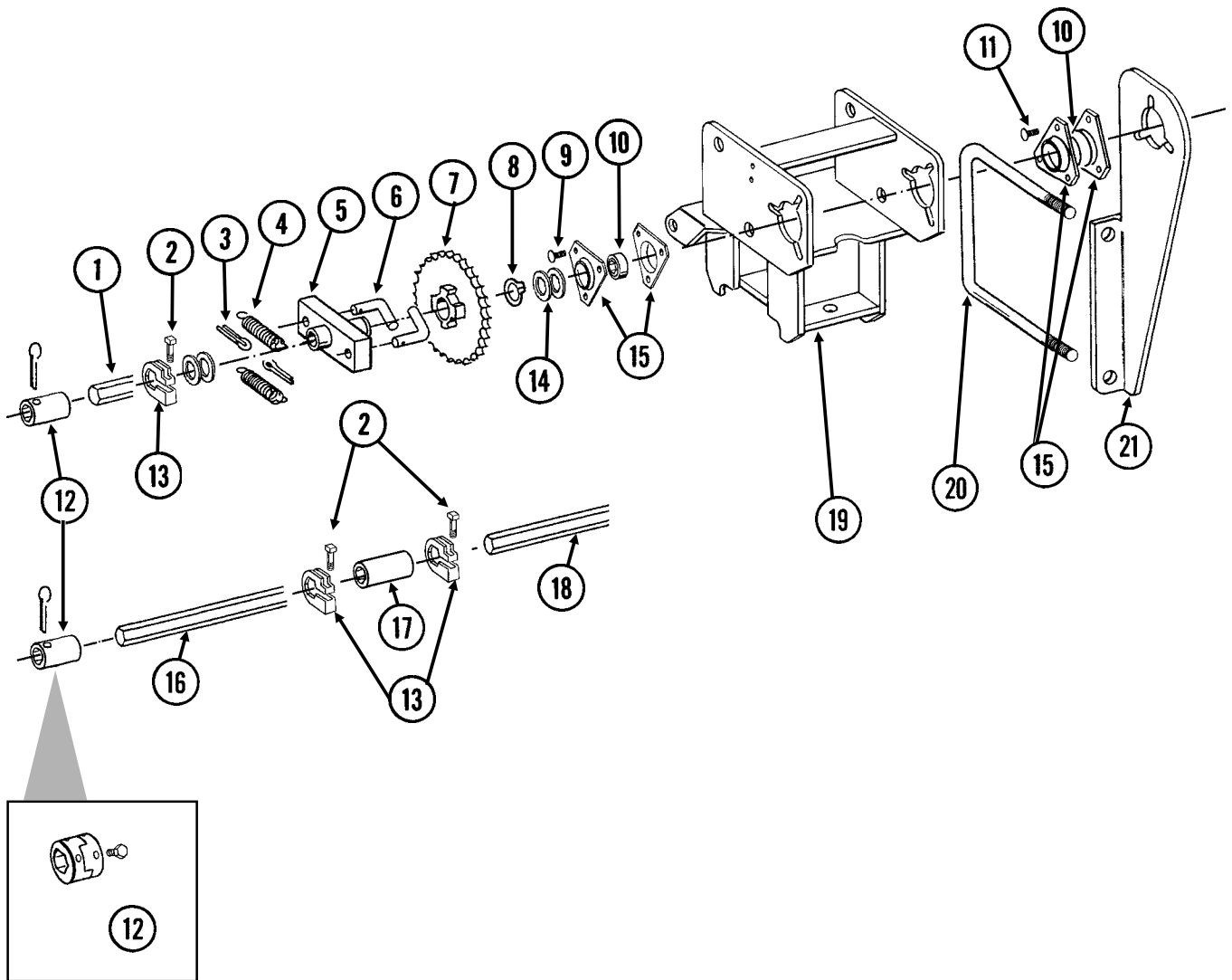
CONTACT DRIVE WHEEL ASSEMBLY

ITEM	PART NO.	QTY. (Per Wheel)	DESCRIPTION
11.	G10602	4	Spring Pin, 1/4" x 1 1/2"
12.	G3310-83	1	Chain, No. 40, 83 Pitch Including Connector Link And Offset Link
	GR0912	-	Connector Link, No. 40
	GR0911	-	Offset Link, No. 40
13.	G10746	1	Hex Head Cap Screw, 1/4"-20 x 2 3/4"
	G10103	1	Hex Nut, 1/4"-20
	G10110	1	Lock Nut, 1/4"-20
14.	G10001	3	Hex Head Cap Screw, 3/8"-16 x 1"
	G10229	3	Lock Washer, 3/8"
	G10101	3	Hex Nut, 3/8"-16
15.	GA2180	2	Hanger Bearing, 7/8" Hex
16.	G10501	2	Jam Nut, 1/2"-13
17.	GA2068	2	Spring
18.	GD5857	1	Spring
19.	GA8477	1	Idler W/Sprocket And Hardware
	G10100	2	Hex Nut, 7/16"-14
	G10421	1	Hex Head Cap Screw, 7/16"-14 x 1 1/4"
	G10128	3	Machine Bushing, 1/2", 14 Gauge
	G10111	1	Lock Nut, 1/2"-13
	G10016	1	Hex Head Cap Screw, 1/2"-13 x 2"
	GA7154	1	Sprocket W/Bearing, 18 Tooth
20.	G10019	2	Hex Head Cap Screw, 5/16"-18 x 1"
	G10232	2	Lock Washer, 5/16"
	G10106	2	Hex Nut, 5/16"-18
21.	G10862	1	Hex Head Cap Screw, 5/8"-11 x 3 1/4"
	G10503	1	Jam Nut, 5/8"-11
	G10107	1	Lock Nut, 5/8"-11
22.	GA8426	1	Wheel Mount
23.	GD1134	1	U-Bolt, 7" x 5" x 5/8"-11
	G10230	2	Lock Washer, 5/8"
	G10104	2	Hex Nut, 5/8"-11
24.		-	See "Driveline", Pages P48 And P49
25.	GD5860	1	Bar
26.	G10751	2	Hex Head Cap Screw, 5/8"-18 x 1 3/4"
	G10235	6	Machine Bushing, 7/8", 14 Gauge
	GD7805	2	Special Washer, 3/8" Hardened
	G10412	2	Lock Nut, 5/8"-18
27.	GB0218	2	Bushing, 2 1/32" I.D. x 7/8" O.D. x 1 9/32" Long
28.	GD11158	1	Spacer, 3/4" O.D. x 9/16" Long
29.	G10053	1	Hex Head Cap Screw, 1/2"-13 x 2 1/2"
	G10128	5	Machine Bushing, 1/2", 14 Gauge
	G10111	1	Lock Nut, 1/2"-13
30.	G10004	1	Hex Head Cap Screw, 3/8"-16 x 1 1/4"
	G10229	1	Lock Washer, 3/8"
	G10101	1	Hex Nut, 3/8"-16
31.	GA7154	2	Sprocket W/Bearing, 18 Tooth
32.	GA5114	1	Sprocket, 30 Tooth
33.	GD2558	1	Lynch Pin, 1/4"
34.	GA5114	1	Sprocket, 30 Tooth
	GA5105	1	Sprocket, 15 Tooth, Used With Half Rate (2 To 1) Drive
35.	G3310-101	1	Chain, No. 40, 101 Pitch Including Connector Link And Offset Link
	G3310-93	1	Chain, No. 40, 93 Pitch Including Connector Link And Offset Link, Used With Half Rate (2 To 1) Drive
	GR0912	-	Connector Link, No. 40
	GR0911	-	Offset Link, No. 40
36.	GD11125	1	Bar
37.	G10053	1	Hex Head Cap Screw, 1/2"-13 x 2 1/2"
	G10216	1	Washer, 1/2" USS
	G10111	1	Lock Nut, 1/2"-13
A.	G1K253	-	Contact Wheel Arm Replacement Kit (Item 3, 7, 8, 11 And 16)

* Specific brand requests will be supplied only as available from current KINZE® stock. If a specific brand requested is not in stock, the brand available will be supplied. Different brand tires may have different diameters. Change in tire brand could result in rate changes. To maintain consistent planting rates throughout all rows, it is recommended that all contact tires be of the same brand and be equally inflated.

DRIVELINE

PTD091(TWL166/PLTR157)

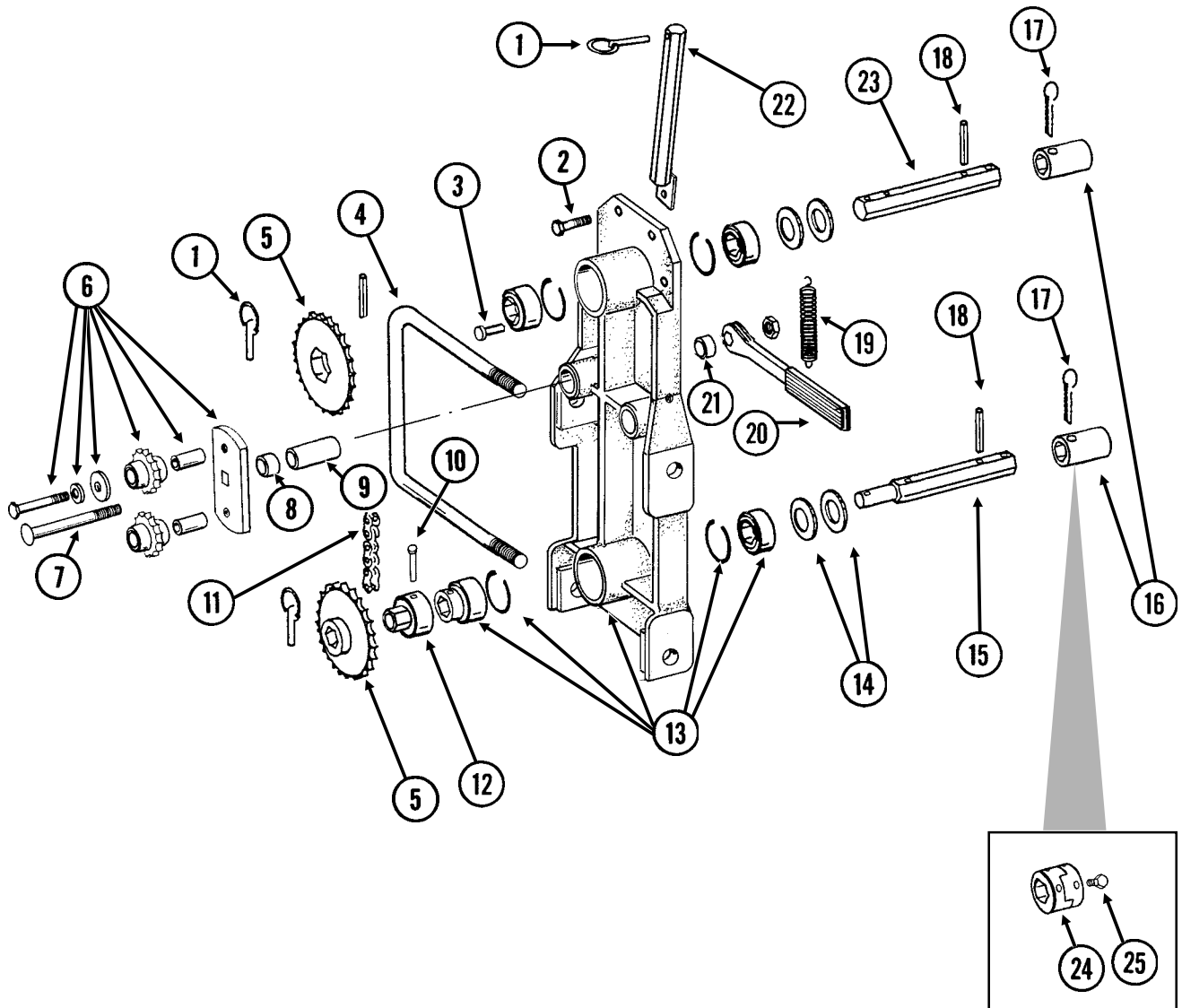


DRIVELINE

ITEM	PART NO.	QTY.	DESCRIPTION
1.	GD0914-204	1	Hex Shaft, 7/8" x 204" (No Holes)
2.	G10130	-	Square Head Machine Bolt, 5/16"-18 x 1 3/4"
	G10923	-	Flange Nut, 5/16"-18, No Serration
3.	G10464	2	Cotter Pin, 3/16" x 1"
4.	GD1256	2	Spring
5.	GA0378	1	Block And Hub Assembly
6.	GD1255	2	L-Pin
7.	GA7574	1	Sprocket W/Bushing, 34 Tooth
8.	G10430	1	External Retaining Ring, 1 1/4"
9.	G10303	6	Carriage Bolt, 5/16"-18 x 1"
	G10232	6	Lock Washer, 5/16"
	G10106	6	Hex Nut, 5/16"-18
10.	G2100-03	3	Bearing, 7/8" Hex Bore, Spherical
11.	G10303	3	Carriage Bolt, 5/16"-18 x 1"
	G10219	3	Washer, 5/16" USS
	G10232	3	Lock Washer, 5/16"
	G10106	3	Hex Nut, 5/16"-18
12.		-	See "Transmission", Pages P50 And P51
13.	GD11045	-	Lock Clamp
14.	G10233	-	Machine Bushing, 1", 10 Gauge
15.	G3400-01	6	Flangette
16.	GD0914-43	1	Hex Shaft, 7/8" x 43" (No Holes)
17.	GD1719	1	Coupler, 4"
18.	GD0914-206	1	Hex Shaft, 7/8" x 206" (No Holes)
19.		-	See "Contact Drive Wheel Assembly", Pages P46 And P47
20.	GD1113	1	U-Bolt, 7" x 5" x 5/8"-11
	G10230	2	Lock Washer, 5/8"
	G10104	2	Hex Nut, 5/8"-11
21.	GD11549	1	Center Support
A.	GA8451	-	Ratchet/Sprocket Assembly, L.H. (Items 3-8)(Shown)
	GA8450	-	Ratchet/Sprocket Assembly, R.H. (Items 3-8)
B.	G1K269	-	Lock Clamp Kit (Items 2 And 13)

TRANSMISSION

PTD091(2400h/PLTR157)

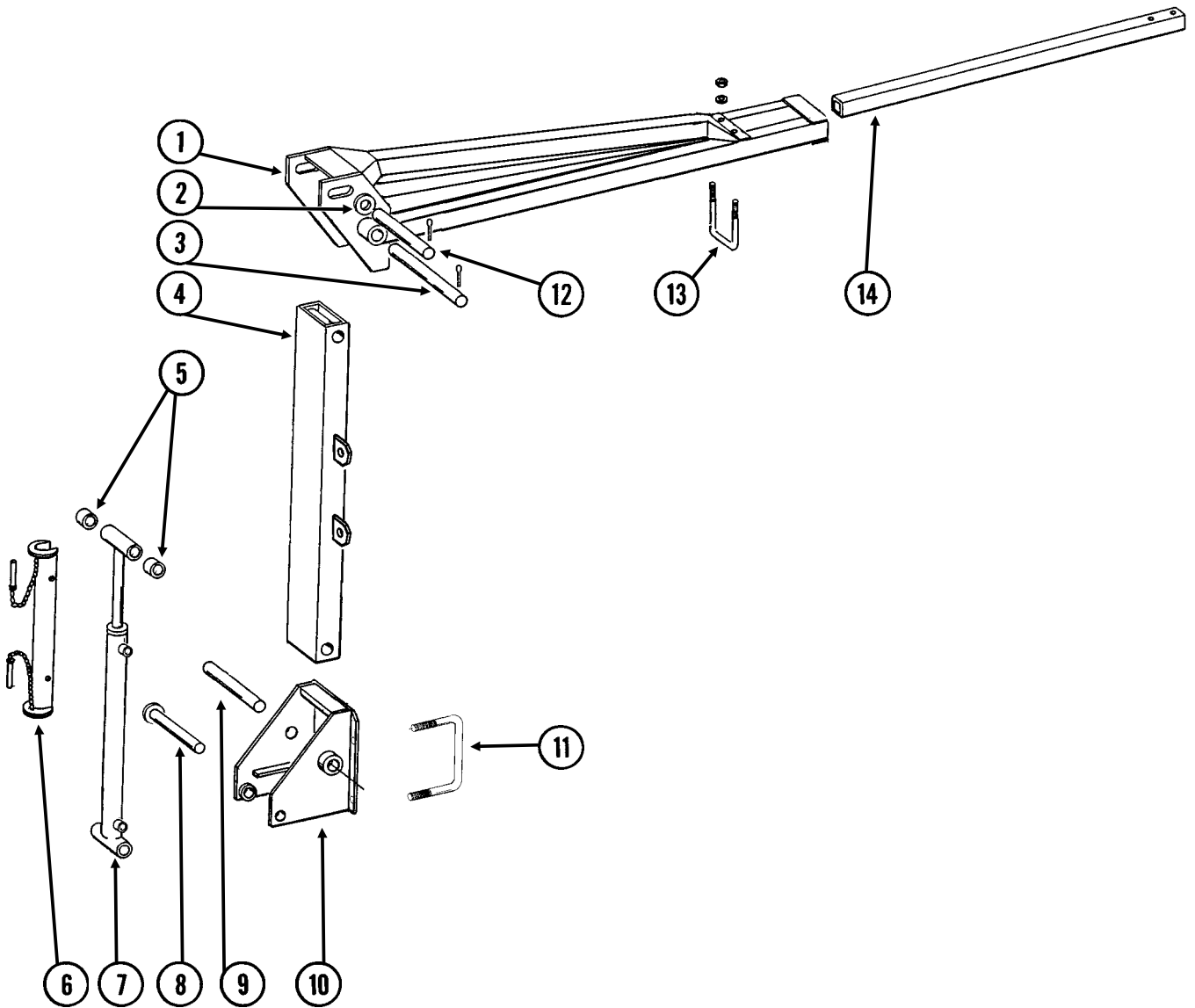


TRANSMISSION

ITEM	PART NO.	QTY.	DESCRIPTION
1.	GD2558	3	Lynch Pin, 1/4"
2.	G10017	1	Hex Head Cap Screw, 1/2"-13 x 1 1/2"
	G10228	1	Lock Washer, 1/2"
	G10102	1	Hex Nut, 1/2"-13
3.	G10478	1	Clevis Pin, 5/16" x 1"
	G10409	1	Retaining Ring, 5/16"
4.	GD1113	1	U-Bolt, 7" x 5" x 5/8"-11
	G10230	2	Lock Washer, 5/8"
	G10104	2	Hex Nut, 5/8"-11
5.	GA5106	1	Sprocket, 17 Tooth
	GA5107	1	Sprocket, 19 Tooth
	GA5108	2	Sprocket, 23 Tooth
	GA5109	1	Sprocket, 24 Tooth
	GA5110	1	Sprocket, 25 Tooth
	GA5111	1	Sprocket, 26 Tooth
	GA5112	1	Sprocket, 27 Tooth
	GA5113	1	Sprocket, 28 Tooth
6.	GA7336	1	Idler W/Bolt-On Sprockets
	GD7426	-	Sprocket, 12 Tooth
	GD1026	-	Sleeve, 1 3/16" Long
	G10210	-	Washer, 3/8" USS
	G10229	-	Lock Washer, 3/8"
	G10047	-	Hex Head Cap Screw, 3/8"-16 x 1 3/4"
7.	G10867	1	Carriage Bolt, 1/2"-13 x 5"
	G10111	1	Lock Nut, 1/2"-13
8.	GD2734-01	1	Sleeve, 1 1/4" O.D. x 1/2" Long
9.	GD3180-16	1	Sleeve, 5/8" I.D. x 7/8" O.D. x 2 13/16" Long
10.	G10821	1	Clevis Pin, 3/16" x 2"
	G10099	1	Cotter Pin, 3/32" x 1/2"
11.	G3310-80	1	Chain, No. 40, 80 Pitch Including Connector Link
	GR0912	-	Connector Link, No. 40
12.	GD7127	1	Shear Coupler
	GR0912	-	Connector Link, No. 40
13.	GA5629	1	Transmission Plate W/Bearings, Grease Fittings And Retaining Rings
	GA5116	3	Bearing, 7/8" Hex Bore, Cylindrical
	GA5624	1	Special Bearing, 7/8" Hex Bore x 1.6"
	GD6551	4	Ring
	G10640	-	Grease Fitting, 1/4"-28
14.	G10233	4	Machine Bushing, 1", 10 Gauge
15.	GD7822	1	Shaft, 7/8" x 7"
16.	GD7867	2	Coupler, 3"
17.	G10460	2	Cotter Pin, 1/4" x 2"
18.	G10602	3	Spring Pin, 1/4" x 1 1/2"
19.	GD5857	1	Spring
20.	GA4235	1	Ratchet Wrench W/Protective Closure
	G10445	-	Protective Closure
21.	GD10161	1	Spacer, 3/8"
22.	GA5146	1	Sprocket Storage Rod
23.	GD5835	1	Shaft, 7/8" x 7"
24.	GB0287	2	Coupler
25.	G10043	4	Hex Head Cap Screw, 5/16"-18 x 3/4"

MARKER ASSEMBLY

MKR019/MKR027(MKR23)

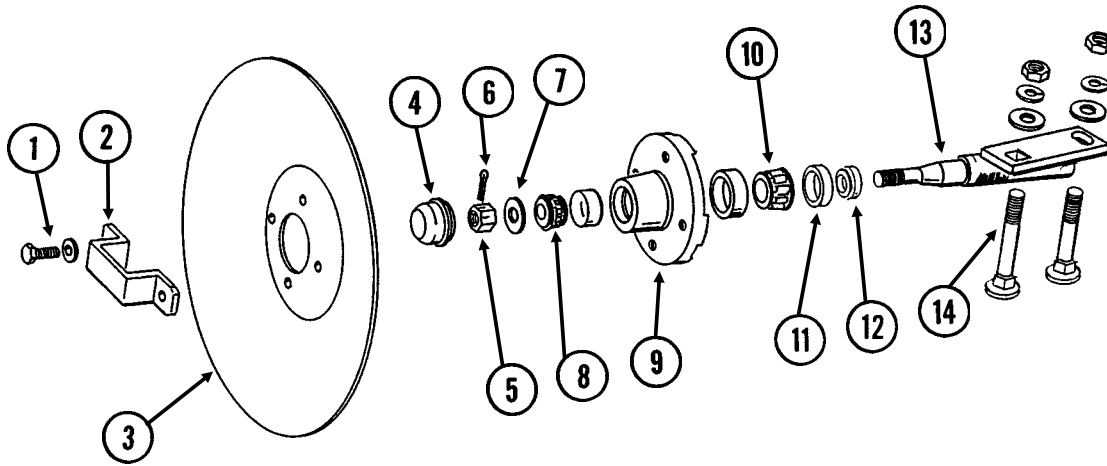


MARKER ASSEMBLY

ITEM	PART NO.	QTY.	DESCRIPTION
		(Per Assy.)	
1.	GA8472	1	Arm, Second Stage, 46"
2.	G10226	-	Washer, 1 1/4" SAE (As Required)
	G10159	-	Machine Bushing, 1 1/4", 10 Gauge (As Required)
	G10322	-	Machine Bushing, 1 1/4", 18 Gauge (As Required)
3.	GD3214	1	Pin, 1 1/4" x 12 1/4"
	G10460	2	Cotter Pin, 1/4" x 2"
4.	GA8407	1	Arm W/Grease Fittings, First Stage
	G10641	2	Grease Fitting, 1/8" NPT
5.	GD0752-41	4	Sleeve, 1"
6.	GA8170	1	Safety Lockup W/Detent Pins, 19 3/8" (Used W/2" x 20 1/16" Marker Cylinder)
	GA8876	-	Safety Lockup W/Detent Pin, 23 7/8" (Used W/2 1/2" x 20 1/16" Marker Cylinder)
	G10536	-	Detent Pin, 1/2" x 2 1/2"
7.		-	See "Marker Cylinder", Pages P63 And P64
8.	GA6532	1	Pin, 1 1/4" x 7 5/8"
	G10460	1	Cotter Pin, 1/4" x 2"
9.	GD0652	1	Pin, 1 1/4" x 9 1/2"
	G10460	2	Cotter Pin, 1/4" x 2"
10.	GA8382	1	Mount
11.	GD11489	2	U-Bolt, 3" x 6" x 5/8"-11
	G10230	4	Lock Washer, 5/8"
	G10104	4	Hex Nut, 5/8"-11
12.	GD2161	1	Pin, 1 1/4" x 8 1/4"
	G10460	2	Cotter Pin, 1/4" x 2"
13.	GD2721	-	U-Bolt, 2" x 2" x 1/2"-13
	G10228	-	Lock Washer, 1/2"
	G10102	-	Hex Nut, 1/2"-13
14.	GD0453-08	-	Extension Tube, 65"

MARKER SPINDLE/HUB/BLADE

MKR020(MKR3a)



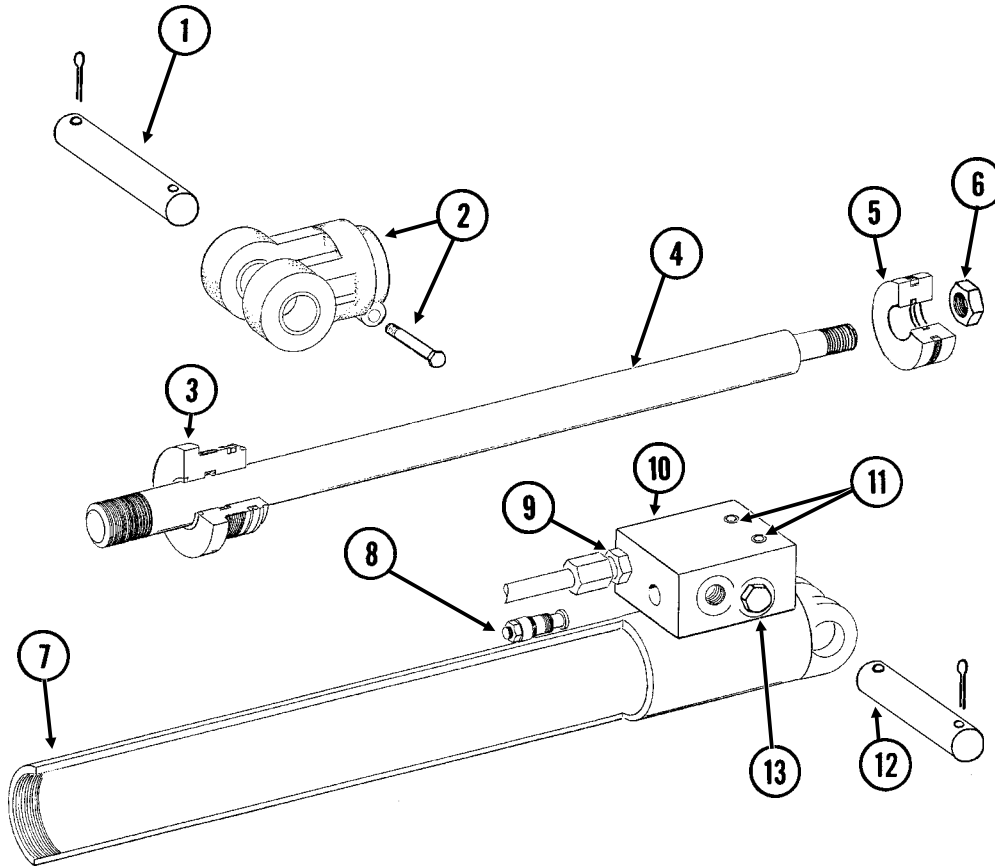
ITEM	PART NO.	QTY.	DESCRIPTION
		(Per Assy.)	
1.	G10722	4	Hex Head Cap Screw, 1/2"-20 x 1"
	G10228	4	Lock Washer, 1/2"
2.	GD2597	1	Retainer
3.	GD0746	1	Solid Blade, 16" (Shown)
	GD10283	-	Notched Blade, 16" (Optional)
4.	GD0840	1	Dust Cap
5.	G10725	1	Slotted Hex Nut, 5/8"-18
6.	G10544	1	Cotter Pin, 5/32" x 1"
7.	G10724	1	Washer, 5/8" SAE
8.	GA0257	1	Bearing
9.	GA0167	1	Hub With Cups
	GR0151	-	Outer Cup
	GR0150	-	Inner Cup
10.	GA0245	1	Bearing
11.	GA0243	1	Grease Seal
12.	GA0899	1	Rubber Seal
13.	GA1676	1	Spindle, R.H.
	GA1677	-	Spindle, L.H. (Shown)
14.	G10844	2	Carriage Bolt, 1/2"-13 x 3 1/2"
	G10168	2	Machine Bushing, 1/2", 7 Gauge
	G10228	2	Lock Washer, 1/2"
	G10102	2	Hex Nut, 1/2"-13
A.	GA1679	-	Hub And Spindle Assembly, L.H. (Items 1, 2 And 4-13)
	GA1678	-	Hub And Spindle Assembly, R.H. (Items 1, 2 And 4-13)

SLAVE CYLINDER

CYL062(CYL54b)

Prior To Serial No. 625025

NOTE: Use With GA8745 Or GA8795 Master Cylinders



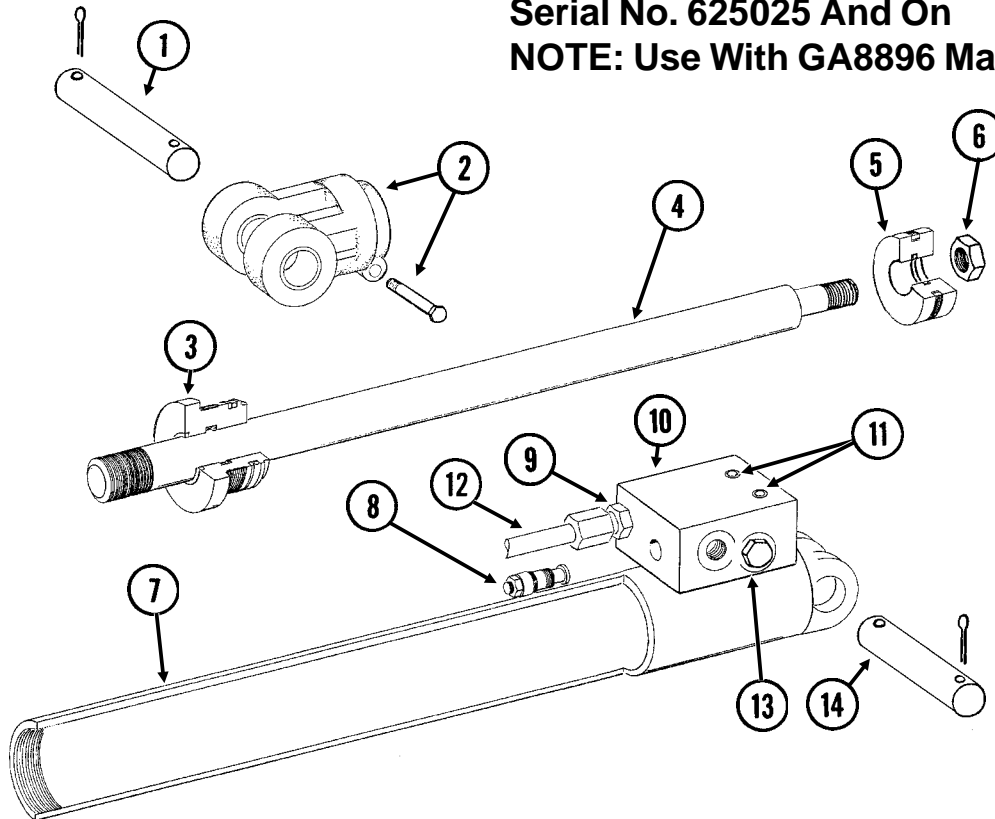
ITEM	PART NO.	QTY.	DESCRIPTION
1.	GR1287	1	Pin W/Cotter Pins
	G10460	-	Cotter Pin, 1/4" x 2"
2.	GA8130	1	Clevis W/Bushings, Cap Screw And Hex Nut
	GR1401	-	Bushing
	G10939	1	Hex Head Cap Screw, 3/8"-16 x 2 1/4"
	G10101	1	Hex Nut, 3/8"-16
3.	GD11522	1	Gland
4.	GD11521	1	Rod
5.	GD11520	1	Piston
6.	GR0983	1	Lock Nut, 1"-14
7.	A8467	1	Barrel (Non-Stock Item)
8.	GR1183	1	Counter Balance Valve
9.	G6400-08	1	Connector W/O-Ring, 3/4"-16 Male JIC To O-Ring
	GR1037	-	O-Ring
10.	GD11579	1	Block
11.	G10932	2	Hex Socket Head Cap Screw, 5/16"-18 x 2", Grade 8
12.	GR1454	1	Pin W/Cotter Pins, 1 1/4" x 3 1/2"
	G10460	-	Cotter Pin, 1/4" x 2"
13.	G6408-08	-	Plug W/O-Ring, 3/4"-16 O-Ring
	GR1037	-	O-Ring
A.	GA8181	-	Cylinder Complete, 3" x 20" <i>(Part Number Stamped On Barrel)</i>
B.	GR1453	-	Seal Kit, Includes: (1) Seal, (3) O-Rings, (1) BU Ring, (1) U-Cup, (1) Wiper

SLAVE CYLINDER

CYL062(CYL54b)

Serial No. 625025 And On

NOTE: Use With GA8896 Master Cylinder



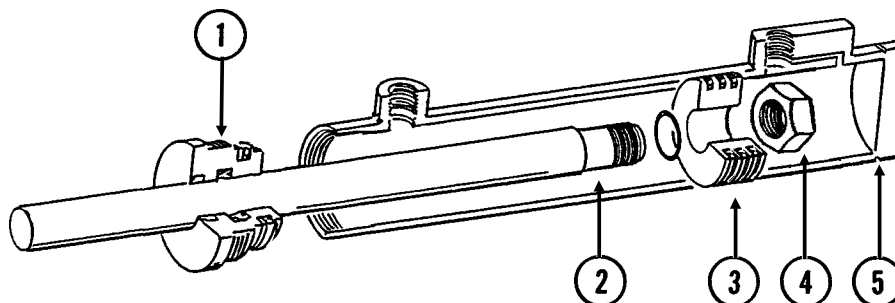
ITEM	PART NO.	QTY.	DESCRIPTION
1.	GD12585	1	Pin, 1 1/4" x 4 1/2"
	G10460	-	Cotter Pin, 1/4" x 2"
2.	GA8130	1	Clevis W/Bushings, Cap Screw And Hex Nut
	GR1401	-	Bushing
	G10939	1	Hex Head Cap Screw, 3/8"-16 x 2 1/4"
	G10101	1	Hex Nut, 3/8"-16
3.	GD12548	1	Gland
4.	GD12600	1	Rod
5.	GD12602	1	Piston
6.	G10958	1	Lock Nut, 1"-14
7.	A8986	1	Barrel (Non-Stock Item)
8.	GA8882	1	Counter Balance Valve
9.	G6400-08	1	Connector W/O-Ring, 3/4"-16 Male JIC To O-Ring
	GR1037	-	O-Ring
10.	GD11579	1	Block
11.	G10932	2	Hex Socket Head Cap Screw, 5/16"-18 x 2", Grade 8
12.	GA8984	1	Steel Hydraulic Line, 15 1/8"
13.	G6408-08	-	Plug W/O-Ring, 3/4"-16 O-Ring
	GR1037	-	O-Ring
14.	GD12790	1	Pin, 1 1/4" x 3 1/2"
	G10460	-	Cotter Pin, 1/4" x 2"
A.	GA8987	-	Cylinder Complete, 3 1/2" x 20" (Items 2-13) (Part Number Stamped On Barrel)
B.	GR1548	-	Seal Kit (For Cylinder And Counter Balance Valve), Includes: (1) Seal, (6) O-Rings, (4) BU Rings, (1) U-Cup, (1) Wiper, (1) Expander, (2) Cast Iron Rings

MASTER CYLINDER

(CYL14d)

Prior To Serial No. 625025

NOTE: Use With GA8181 Slave Cylinder



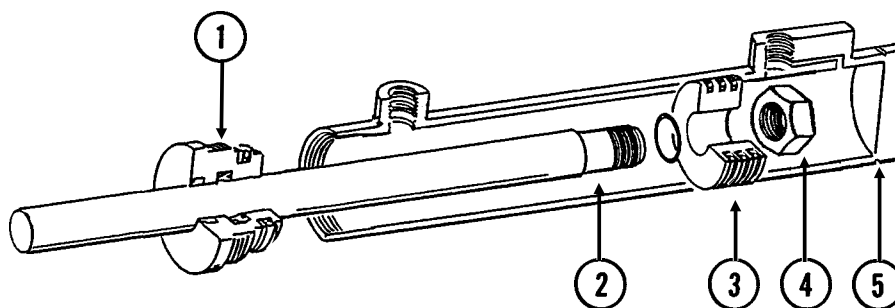
ITEM	PART NO.	QTY.	DESCRIPTION
1.	GD11513	1	Gland
2.	GD11763	1	Rod
3.	GD11294	1	Piston
4.	G10958	1	Lock Nut, 1"-14
5.	A8744	1	Barrel (Non-Stock Item)
A.	GA8745	-	Cylinder Complete, 4 1/4" x 9 3/4" <i>(Part Number Stamped On Barrel)</i>
B.	GR1496	-	Seal Kit, Includes: (2) O-Rings, (1) Piston Ring, (1) Expander, (1) BU Ring, (2) Cast Iron Rings, (1) Wiper, (1) U-Packing

MASTER CYLINDER

(CYL14d)

Prior To Serial No. 625025

NOTE: Use With GA8181 Slave Cylinder

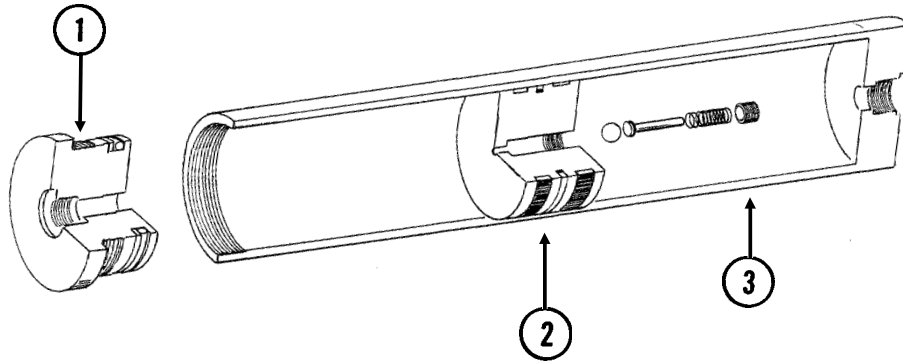


ITEM	PART NO.	QTY.	DESCRIPTION
1.	GD11835	1	Gland
2.	GD11763	1	Rod
3.	GD11294	1	Piston
4.	G10958	1	Lock Nut, 1"-14
5.	A8794	1	Barrel (Non-Stock Item)
A.	GA8795	-	Cylinder Complete, 4 1/4" x 9 3/4" <i>(Part Number Stamped On Barrel)</i>
B.	GR1496	-	Seal Kit, Includes: (2) O-Rings, (1) Piston Ring, (1) Expander, (1) BU Ring, (2) Cast Iron Rings, (1) Wiper, (1) U-Packing

MASTER CYLINDER

(CYL55a)

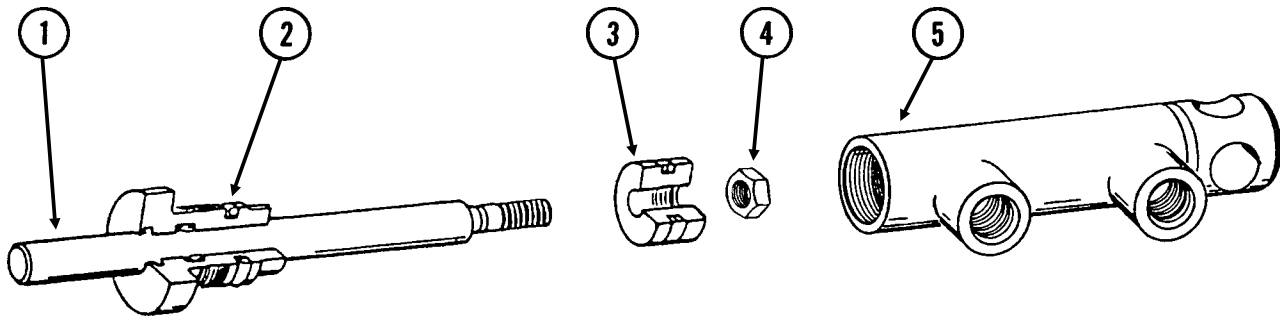
Serial No. 625025 And On
NOTE: Use With GA8987 Slave Cylinder



ITEM	PART NO.	QTY.	DESCRIPTION
1.	GD12606	1	Gland
2.	GA8989	1	Piston W/Rephasing Valve
	GR1169	-	Rephasing Valve Replacement Kit (Set Screw, Guide, 2 Springs And Ball)
3.	A8988	1	Barrel (Non-Stock Item)
A.	GA8896	-	Cylinder Complete, 4 1/4" x 11 1/16" <i>(Part Number Stamped On Barrel)</i>
B.	GR1549	-	Seal Kit, Includes: (1) O-Ring, (1) BU Ring, (2) Cast Iron Rings, (1) Seal, (1) Expander

TRANSPORT LATCH CYLINDER

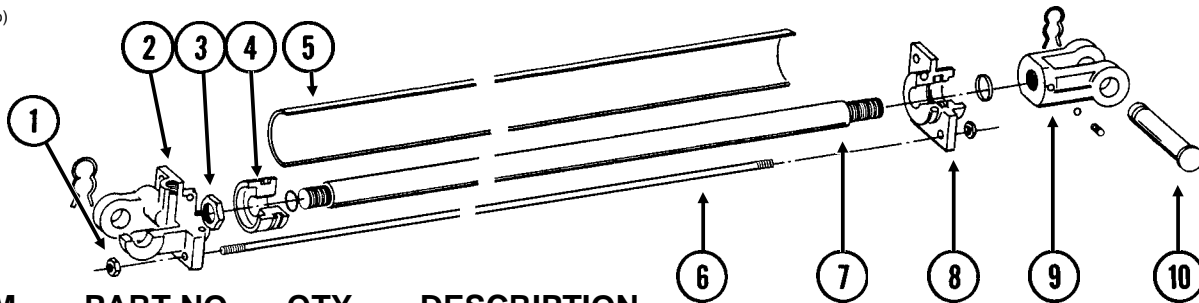
CYL035/CYL050(CYL9b)



TEM	PART NO.	QTY.	DESCRIPTION
1.	GD7124	1	Rod
2.	GD7122	1	Gland
3.	GD7120	1	Piston
4.	GR0999	1	Lock Nut, 1/2"-20
5.	A6020	1	Barrel (Non-Stock Item)
A.	GA4309	-	Cylinder Complete, 1 1/2" x 2 1/2"
B.	GR1001	-	Seal Kit, Includes: (2) O-Rings, (1) U-Cup, (1) Rod Wiper, (1) Seal

TRANSPORT LATCH POST CYLINDER

(CYL22b)



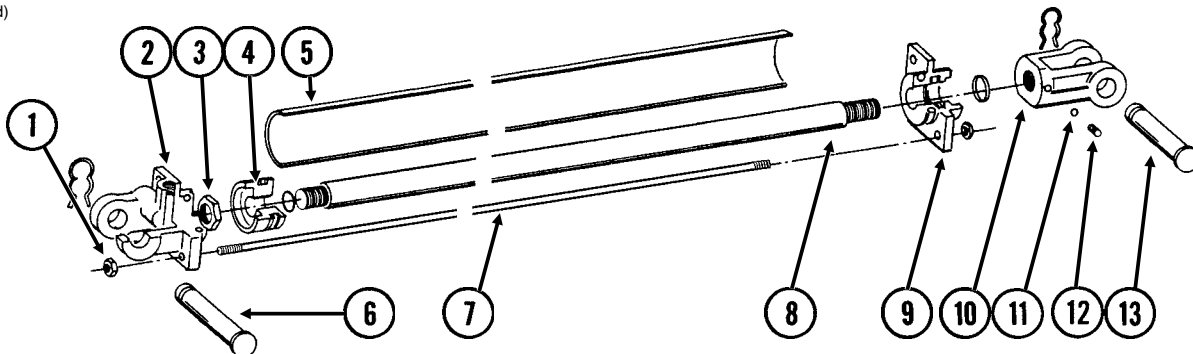
ITEM	PART NO.	QTY.	DESCRIPTION
------	----------	------	-------------

1.	GR1476	8	Tie Rod Nut
2.	GR1469	1	Clevis
3.	GR1478	1	Piston Nut
4.	GR1472	1	Piston
5.	R1474	1	Barrel (Non-Stock Item)
6.	GR1475	4	Tie Rod
7.	GR1473	1	Rod
8.	GR1470	1	Gland
9.	GR1471	1	Clevis
10.	GR1479	2	Clevis Pin W/Clip
A.	GA8456A	-	Cylinder Complete, 2" x 24"
B.	GR1477	-	Seal Kit, Includes: (1) Seal, (5) O-Rings, (5) BU Seals

IDENTIFICATION NOTE: Decal on barrel identified "Lion Hydraulics".

TRANSPORT LATCH POST CYLINDER

(CYL22d)



ITEM	PART NO.	QTY.	DESCRIPTION
------	----------	------	-------------

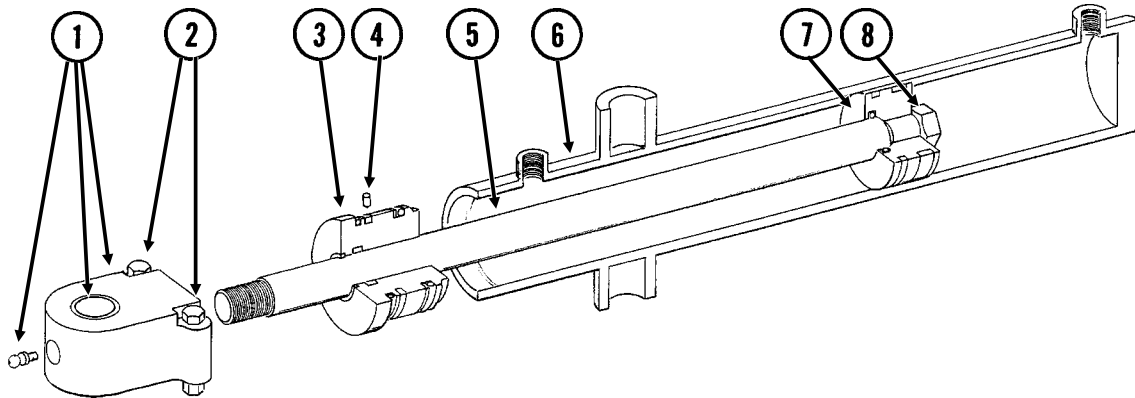
1.	G10100	8	Hex Nut, $\frac{7}{16}$ "-14
2.	GR1494	1	Clevis
3.	GR0170	1	Hex Nut, $\frac{7}{8}$ "-14
4.	GR1498	1	Piston
5.	R1500	1	Barrel (Non-Stock Item)
6.	GR1503	1	Clevis Pin W/Clip
	GR0193	-	Hair Pin Clip
7.	GR1501	4	Tie Rod
8.	GR1499	1	Rod
9.	GR1495	1	Gland
10.	GR1497	1	Clevis
11.	GR0716	1	Nylon Ball
12.	G10072	1	Hex Socket Set Screw, $\frac{3}{8}$ "-16 x $\frac{3}{8}$ "
13.	GR1504	1	Clevis Pin W/Clip
	GR0193	-	Hair Pin Clip

A.	GA8456B	-	Cylinder Complete, 2" x 24"
B.	GR1502	-	Seal Kit, Includes: (2) Seals, (3) O-Rings, (3) BU Seals, (1) Wiper

IDENTIFICATION NOTE: "Energy" cast in clevis.

ROTATION CYLINDER

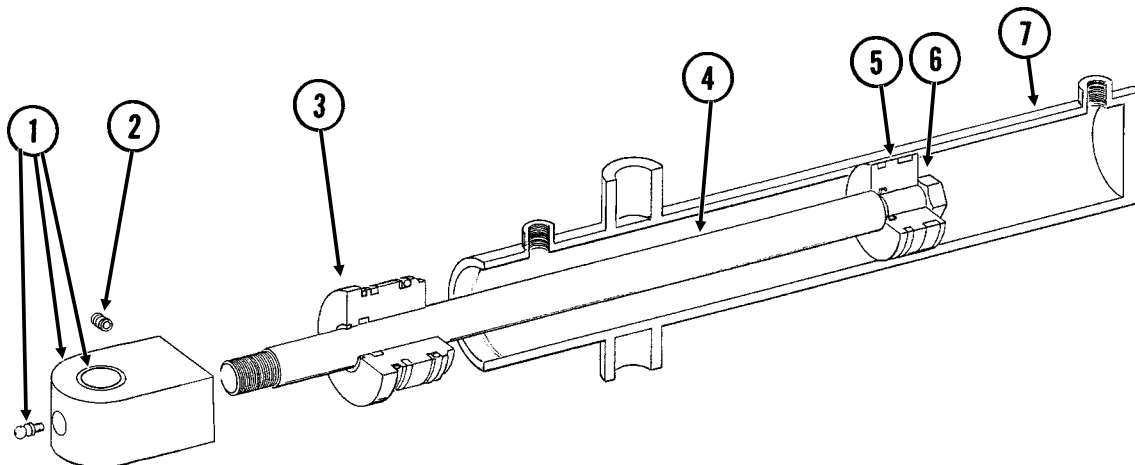
CYL061(CYL53)



ITEM	PART NO.	QTY.	DESCRIPTION
1.	GA8497	1	Clevis W/Spring Bushing And Grease Fitting
	GR1462	-	Spring Bushing
	G10591	-	Grease Fitting, 1/4"-28 Taper
2.	G10939	2	Hex Head Cap Screw, 3/8"-16 x 2 1/4"
	G10108	2	Lock Nut, 3/8"-16
3.	GD11572	1	Gland
4.	GR1463	1	Locking Insert
5.	GD11570	1	Rod
6.	A8496	1	Barrel (Non-Stock Item)
7.	GD11571	1	Piston
8.	GR0986	1	Special Jam Nut, 1"-14
A.	GA8180	-	Cylinder Complete, 3" x 16" <i>(Part Number Stamped On Barrel)</i>
B.	GR1464	-	Seal Kit, Includes: (1) Rod Wiper, (2) Seals, (1) BU Ring, (3) O-Rings, (1) Wear Ring

ROTATION CYLINDER

CYL061(CYL53a)

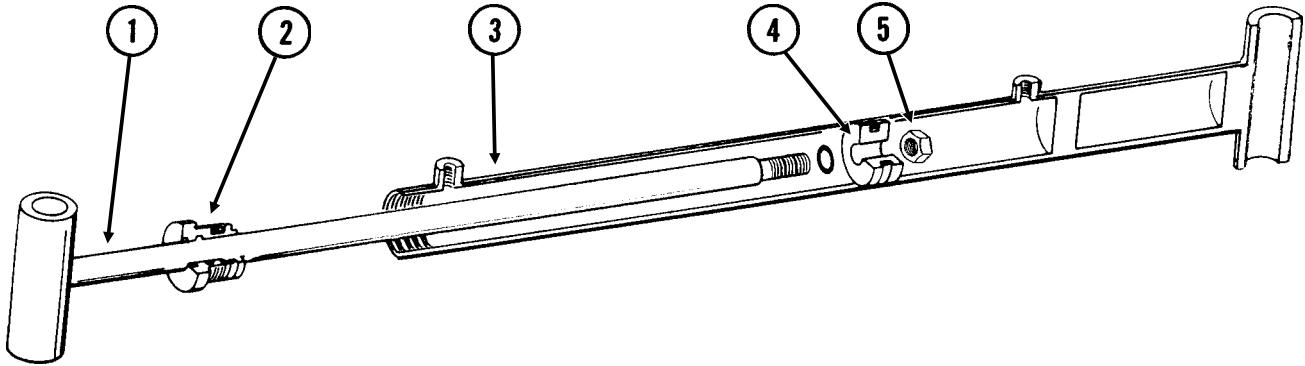


ITEM	PART NO.	QTY.	DESCRIPTION
1.	GA8497	1	Clevis W/Spring Bushing And Grease Fitting
	GR1462	-	Spring Bushing
	G10591	-	Grease Fitting, 1/4"-28 Taper
2.	G10760	2	Hex Socket Set Screw, 3/8"-16 x 1 1/2"
3.	GD12615	1	Gland
4.	GD12610	1	Rod
5.	GD12614	1	Piston
6.	G10958	1	Lock Nut, 1"-14
7.	A8991	1	Barrel (Non-Stock Item)
A.	GA8992	-	Cylinder Complete, 3" x 16" (<i>Part Number Stamped On Barrel</i>)
B.	GR1526	-	Seal Kit, Includes: (1) Wear Ring, (2) O-Rings, (1) BU Ring, (1) U-Cup, (1) Wiper, (1) T-Seal

MARKER CYLINDER

CYL039(CYL13c)

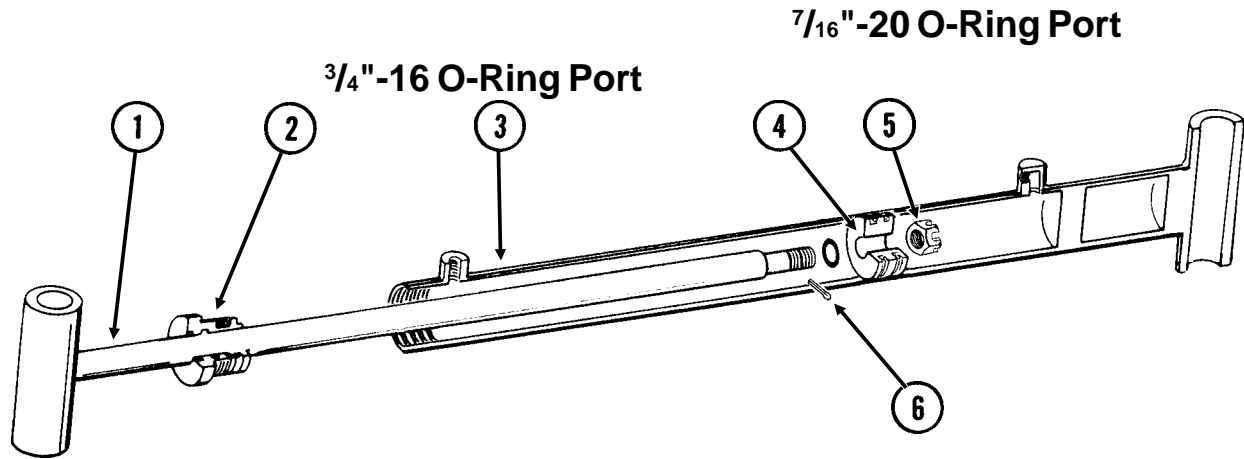
$\frac{3}{4}$ "-16 O-Ring Ports



ITEM	PART NO.	QTY.	DESCRIPTION
1.	GA5459	1	Rod Assembly
2.	GD5949	1	Gland
3.	A5458	1	Barrel (Non-Stock Item)
4.	GD4632	1	Piston
5.	G10967	1	Lock Nut, $\frac{3}{4}$ "-16
A.	GA5096	-	Cylinder Complete, 2" x 20 $\frac{1}{16}$ " (Part Number Stamped On Barrel)
B.	GR0927	-	Seal Kit, Includes: (1) T Seal, (2) O-Rings, (1) BU Ring, (1) U-Cup, (1) Wiper

MARKER (Cushion) CYLINDER

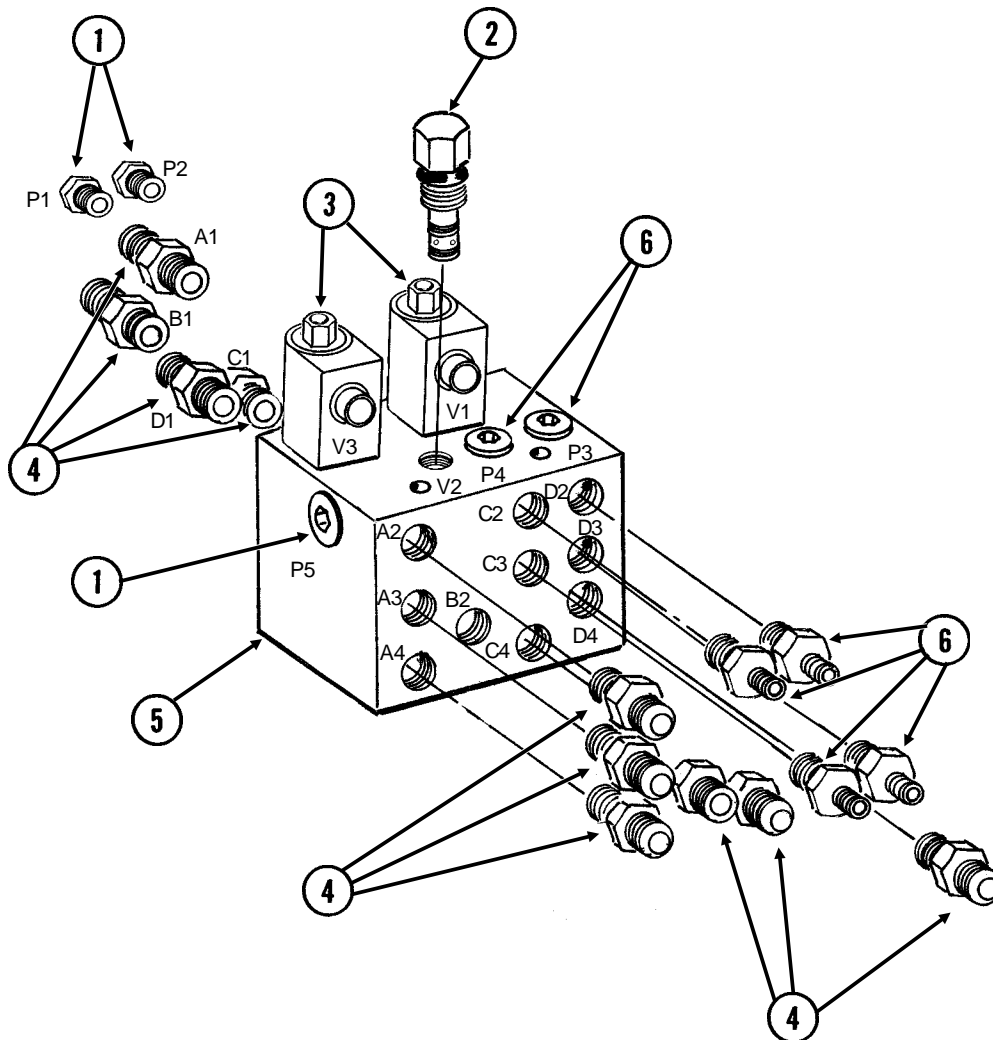
CYL039(CYL13d)



ITEM	PART NO.	QTY.	DESCRIPTION
1.	GA8835	1	Rod Assembly
2.	GD10207	1	Gland
3.	A8836	1	Barrel (Non-Stock Item)
4.	GD10206	1	Piston
5.	G10962	1	Slotted Hex Nut, $\frac{7}{8}$ "-14
6.	G10827	2	Cotter Pin, $\frac{1}{8}$ " x $1 \frac{3}{4}$ "
A.	GA8837	-	Cylinder Complete, $2 \frac{1}{2}$ " x $20 \frac{1}{16}$ " (Part Number Stamped On Barrel)
B.	GR1309	-	Seal Kit, Includes: (1) Seal, (2) O-Rings, (1) BU Ring, (1) U-Cup, (1) Wiper, (1) Cast Iron Ring

VALVE BLOCK - LOCATED ON HITCH

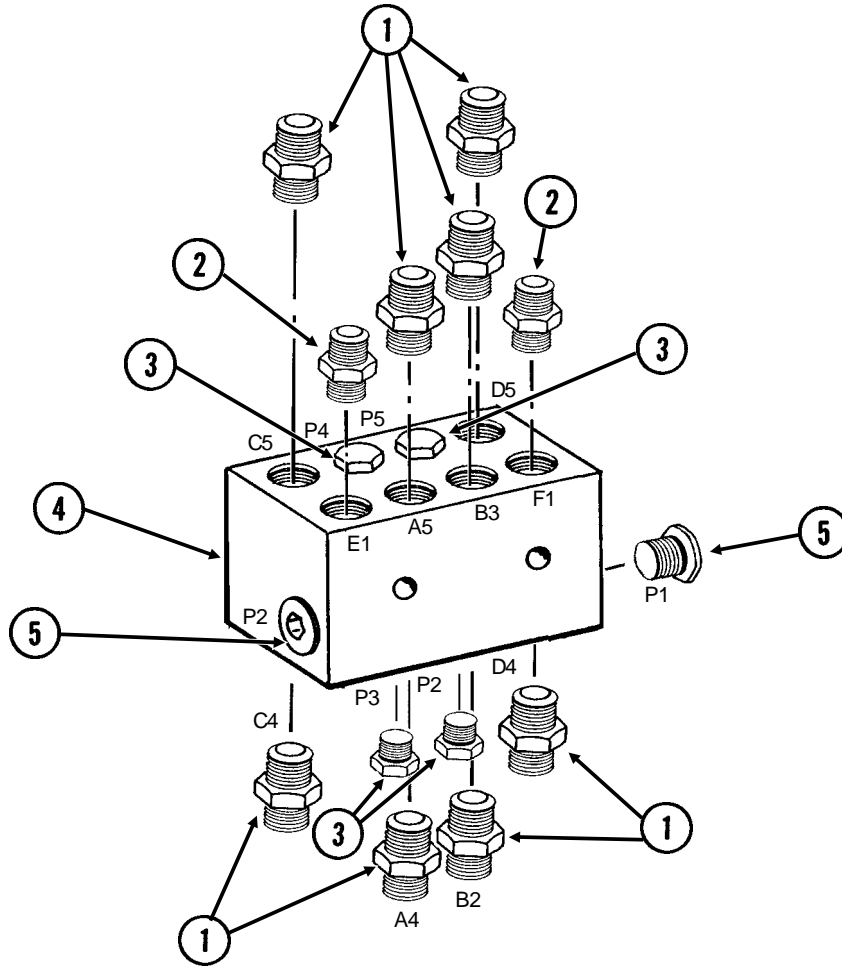
PHS049(2400b)



ITEM	PART NO.	QTY.	DESCRIPTION
1.	G6408-H06-O GR1045	5 -	Hex Socket Head Plug W/O-Ring, $\frac{9}{16}$ "-18 O-Ring
2.		-	See "Check Valve", Page P69
3.		-	See "G1K276 Solenoid Valve", Page P68
4.	G6400-08 GR1037	10 -	Connector W/O-Ring, $\frac{3}{4}$ "-16 Male JIC To O-Ring
5.	GD11460	1	Block
6.	G6400-06 GR1045	4 -	Connector W/O-Ring, $\frac{9}{16}$ "-18 Male JIC To O-Ring

JUNCTION BLOCK - LOCATED ON FRONT OF CENTER PIVOT

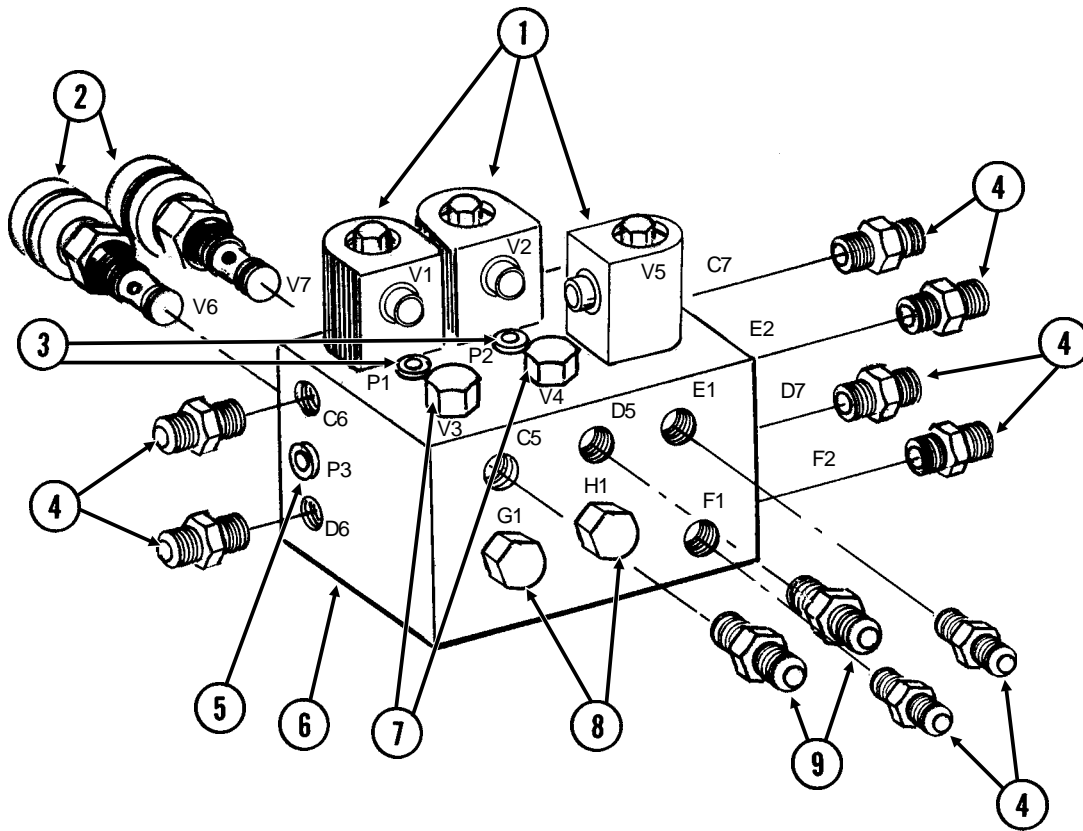
(2400d)



ITEM	PART NO.	QTY.	DESCRIPTION
1.	G6400-08 GR1037	8 -	Connector W/O-Ring, $\frac{3}{4}$ "-16 Male JIC To O-Ring O-Ring
2.	G6400-06 GR1045	2 -	Connector W/O-Ring, $\frac{9}{16}$ "-18 Male JIC To O-Ring O-Ring
3.	G6408-08 GR1037	4 -	Plug W/O-Ring, $\frac{3}{4}$ "-16 O-Ring O-Ring
4.	GD11459	1	Block
5.	G6408-H06-O GR1045	2 -	Hex Socket Head Plug W/O-Ring, $\frac{9}{16}$ "-18 O-Ring O-Ring

VALVE BLOCK - LOCATED ON REAR CENTER FRAME

PHS050(2400f)A8455

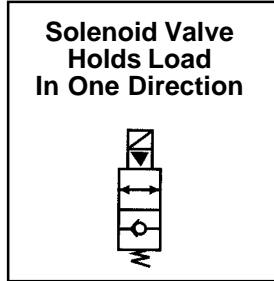
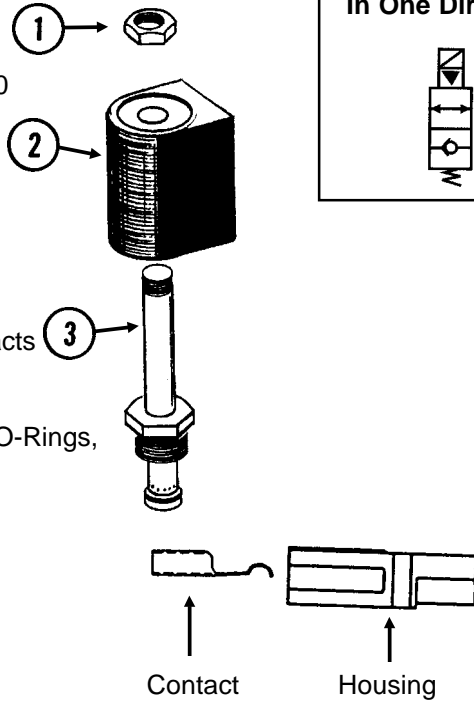


ITEM	PART NO.	QTY.	DESCRIPTION
1.		-	See "G1K275 Solenoid Valve", Page P68
2.		-	See "Flow Control Valve", Page P69
3.	G6408-H06-O	2	Hex Socket Head Plug W/O-Ring, 9/16"-18 O-Ring
	GR1045	-	O-Ring
4.	G6400-06	8	Connector W/O-Ring, 9/16"-18 Male JIC To O-Ring
	GR1045	-	O-Ring
5.	G6408-06	1	Plug W/O-Ring, 9/16"-18 O-Ring
	GR1045	-	O-Ring
6.	GD11461	1	Block
7.	G6408-10	2	Plug W/O-Ring, 7/8"-14 O-Ring
	GR1466	-	O-Ring
8.	G6408-08	2	Plug W/O-Ring, 3/4"-16 O-Ring
	GR1037	-	O-Ring
9.	G6400-08	2	Connector W/O-Ring, 3/4"-16 JIC To O-Ring
	GR1037	-	O-Ring

SOLENOID VALVE (G1K275)

VVB019(TWL27c/TWL18/
PLTR75c)

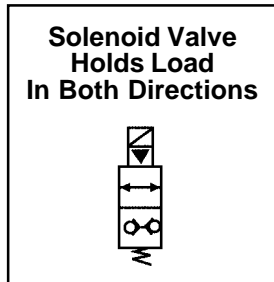
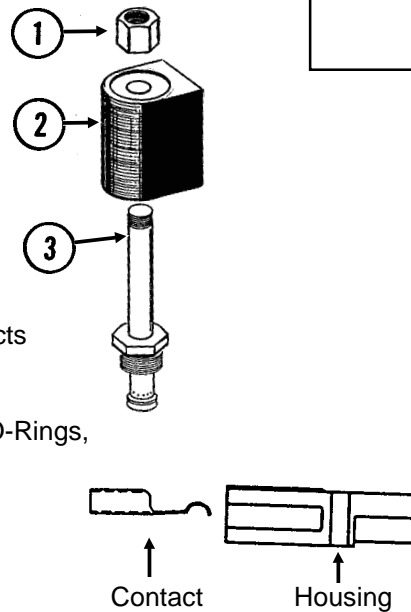
ITEM	PART NO.	QTY.	DESCRIPTION
1.	GR0761	1	Special Hex Nut, 1/2"-20
2.	G1K274	1	Coil Kit W/Housings And Contacts
	GD9529	2	Housing, Black
	GD9530	2	Contact
3.	GR0763	1	Cartridge
A.	G1K275	-	Solenoid Valve Kit W/Housings And Contacts
	GD9529	2	Housing, Black
	GD9530	2	Contact
B.	GR0764	-	Seal Kit, Includes: (2) O-Rings, (1) BU Ring



SOLENOID VALVE (G1K276)

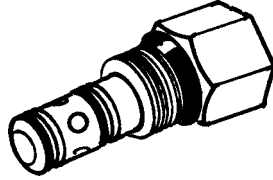
VVB019(FF25/TWL18/PLTR75c)

ITEM	PART NO.	QTY.	DESCRIPTION
1.	GR1322	1	Special Hex Nut, 1/2"-20
2.	G1K274	1	Coil Kit W/Housings And Contacts
	GD9529	2	Housing, Black
	GD9530	2	Contact
3.	GR1321	1	Cartridge
A.	G1K276	-	Solenoid Valve Kit W/Housings And Contacts
	GD9529	2	Housing, Black
	GD9530	2	Contact
B.	GR0764	-	Seal Kit, Includes: (2) O-Rings, (1) BU Ring



CHECK VALVE

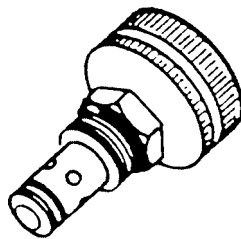
VVB020(TWL30a)



ITEM	PART NO.	QTY.	DESCRIPTION
A.	GA8406	-	Check Valve
B.	GR1468	-	Seal Kit, Includes: (4) O-Rings, (5) BU Rings

FLOW CONTROL VALVE

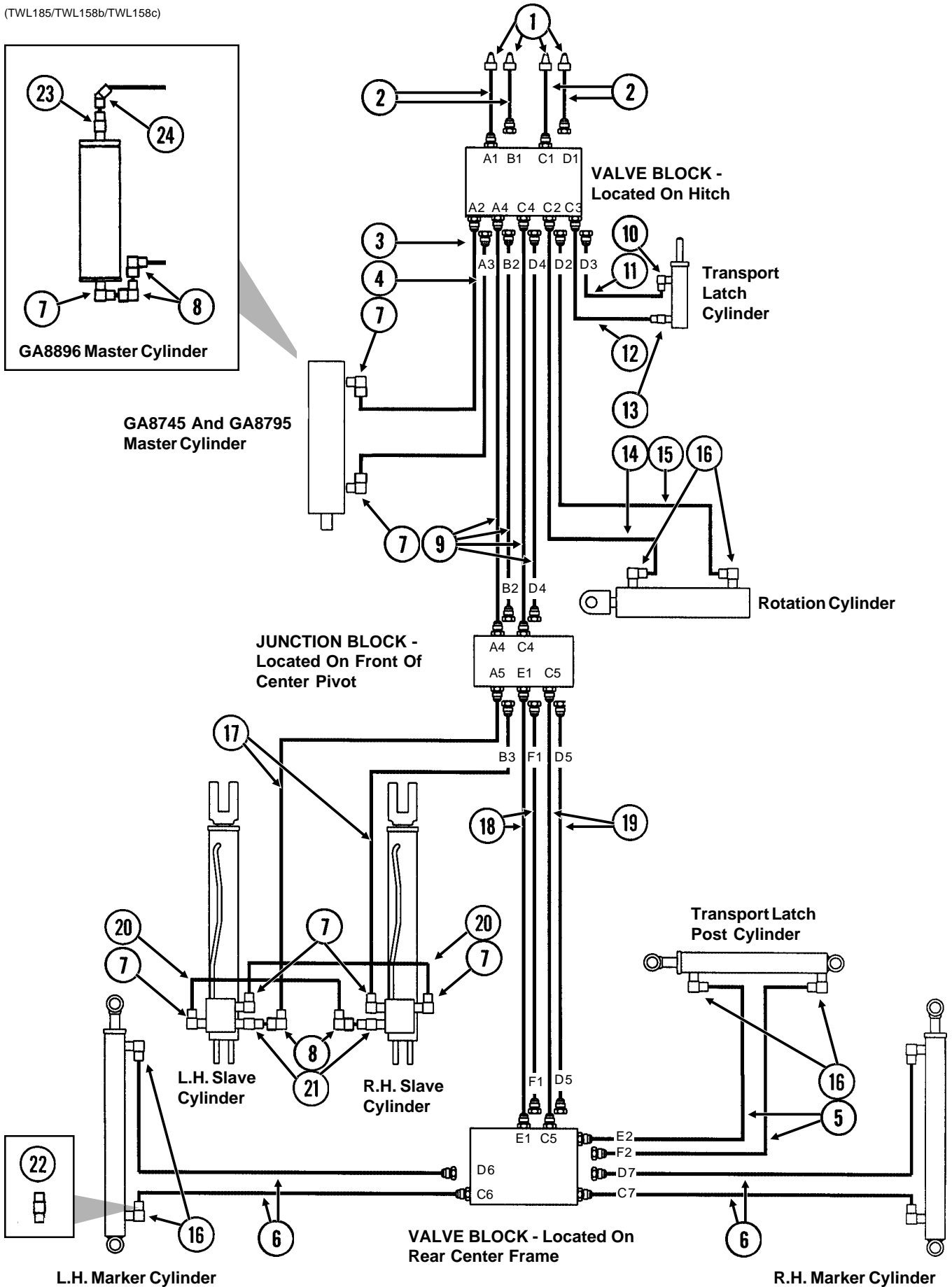
VVB020(TWL28)



ITEM	PART NO.	QTY.	DESCRIPTION
A.	GA3413	-	Flow Control Valve
B.	GR0764	-	Seal Kit, Includes: (2) O-Rings, (1) BU Ring

HYDRAULIC SYSTEM

(TWL185/TWL158b/TWL158c)



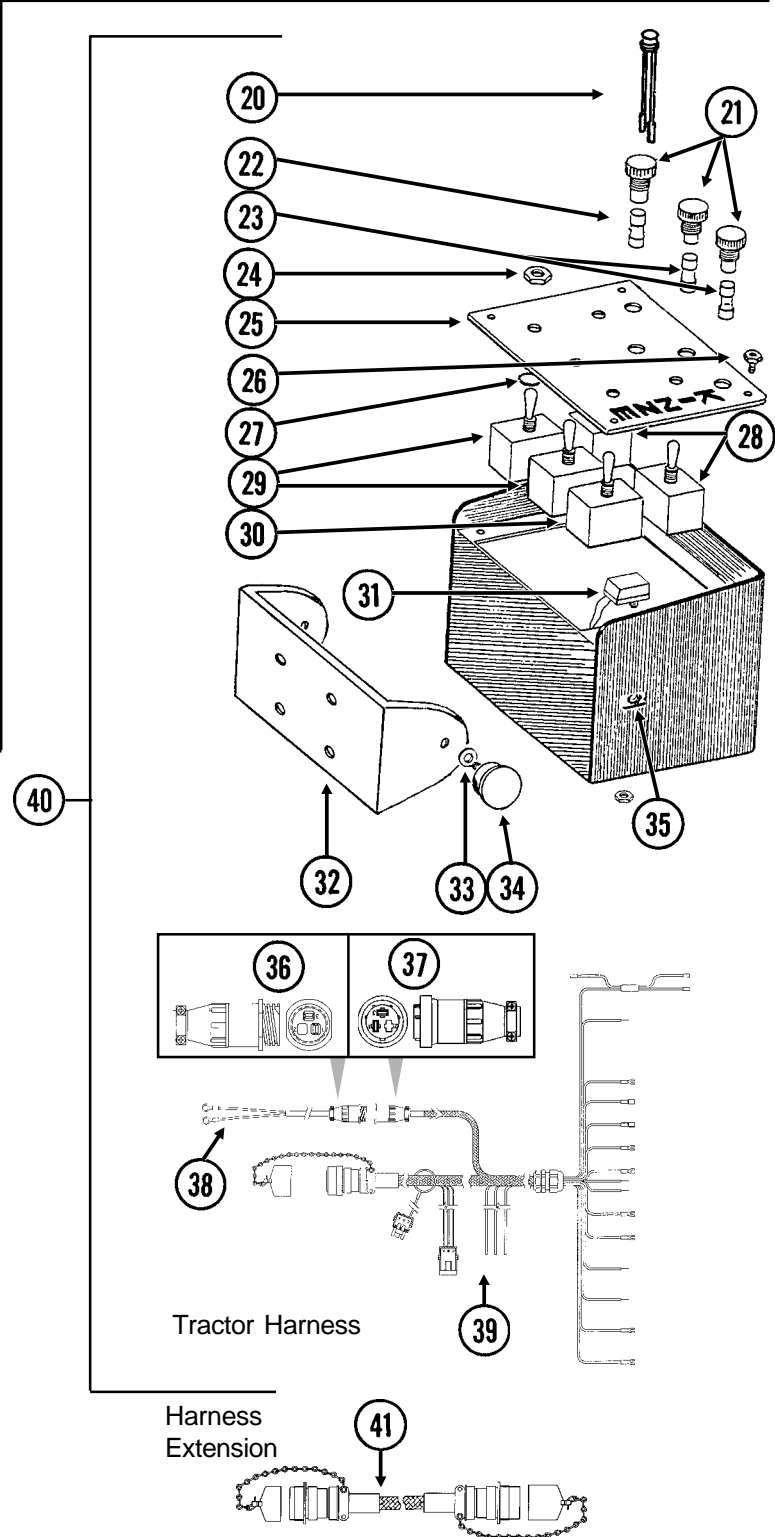
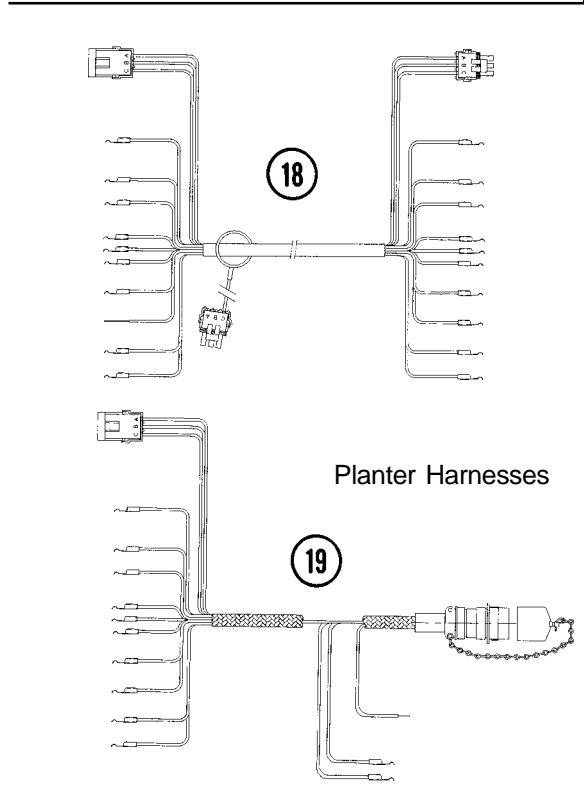
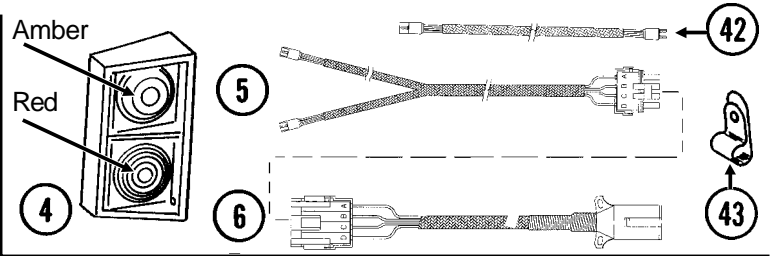
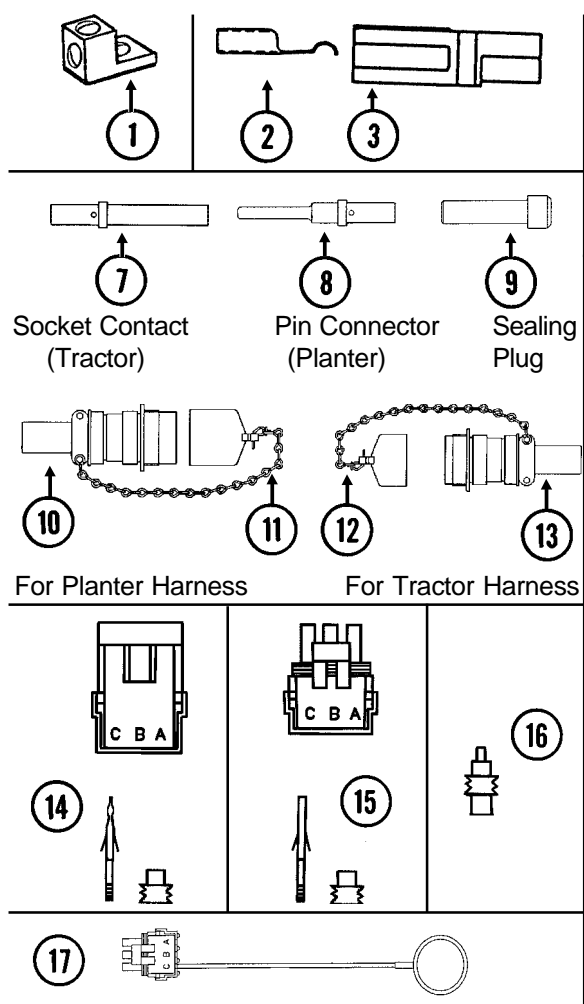
HYDRAULIC SYSTEM

ITEM	PART NO.	QTY.	DESCRIPTION
1.	GD4086	4	ISO Coupler
2.	*A3123	4	Hose Assembly, 3/8" x 72"
3.	*A1021	1	Hose Assembly, 3/8" x 56"
4.	*A3158	1	Hose Assembly, 3/8" x 46"
5.	*A7609	2	Hose Assembly, 1/4" x 164"
6.	*A7610	4	Hose Assembly, 1/4" x 175"
7.	G6801-08	5-6	Elbow W/O-Ring, 90°, 3/4"-16 Male JIC To O-Ring
	GR1037	-	O-Ring
8.	G6500-08	2-4	Swivel Elbow, 90°, 3/4"-16 Male JIC To Female
9.	*A3206	4	Hose Assembly, 3/8" x 184"
10.	G6801-06	1	Elbow W/O-Ring, 90°, 9/16"-18 Male JIC To O-Ring
	GR1045	-	O-Ring
11.	*A1169	1	Hose Assembly, 1/4" x 24"
12.	*A1192	1	Hose Assembly, 1/4" x 20"
13.	G6400-06	1	Connector W/O-Ring, 9/16"-18 Male JIC To O-Ring
	GR1045	-	O-Ring
14.	*A7606	1	Hose Assembly, 1/4" x 177"
15.	*A7607	1	Hose Assembly, 1/4" x 187"
16.	G6801-06-08	6-8	Elbow W/O-Ring, 90°, 9/16"-18 Male JIC To 3/4"-16 O-Ring
	GR1037	-	O-Ring
17.	*A1096	2	Hose Assembly, 3/8" x 50 1/2"
18.	*A1113	2	Hose Assembly, 1/4" x 80"
19.	*A3129	2	Hose Assembly, 3/8" x 79"
20.	*A1079	2	Hose Assembly, 3/8" x 24"
21.	G6400-L-08	2	Long Connector W/O-Ring, 3/4"-16 Male JIC To O-Ring
	GR1037	-	O-Ring
22.	G6400-06-04	2	Connector W/O-Ring, 9/16"-18 Male JIC To 7/16"-20 O-Ring
	GR1465	-	O-Ring
23.	G6400-08	1	Connector W/O-Ring, 3/4"-16 Male JIC To O-Ring
	GR1037	-	O-Ring
24.	G6502-08	1	Swivel Elbow, 45°, 3/4"-16 Male JIC To Female

* Hydraulic hose is not stocked by KINZE® Repair Parts, but can be made available on a special order basis. Call for quote.

ELECTRICAL COMPONENTS

ECP010/ECP011/ECP018/ECP023(TWL19a/TWL18/TWL23/A8430a/ELC39/ELC14/ELC3a/ELC5c/MTR27a/ELC8/A8433/A8432a/TWL20f/ELC10a/ELC4)



ELECTRICAL COMPONENTS

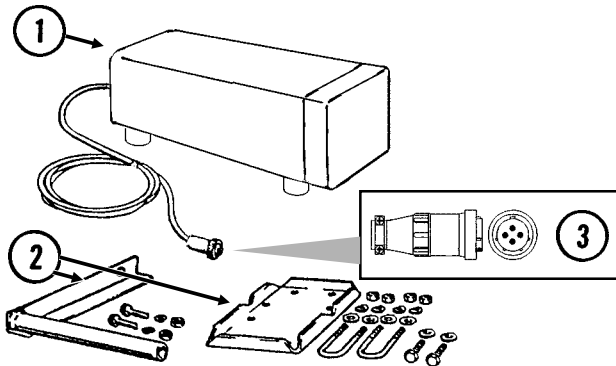
ITEM	PART NO.	QTY.	DESCRIPTION
1.	GA3584	-	Ground Clamp
2.	GD9530	-	Contact
3.	GD9529	-	Housing, Black
	GD12726	-	Housing, Red
4.	GA6699	1	Double Light Assembly (Shown)
	GA6700	1	Double Light Assembly
	GR1203	-	Red Lens
	GR1204	-	Amber Lens
	GR1205	-	Cover
	GR1206	-	Rubber Grommet (4)
	GR1207	-	Lamp Unit
	GR1208	-	Bulb
5.	GA8431	1	Light Wiring Harness W/4-Pin Connector, 22'
	GA8329	-	4-Pin Connector W/Male Housing, 4 Seals And 4 Socket Contacts
6.	GA8430	1	Light Wiring Harness W/7 Terminal Female Connector And 4-Pin Connector, 23' 6"
	GA5385	-	7 Terminal Female Connector
	GA8328	-	4-Pin Connector W/Female Housing, 4 Seals And 4 Pin Contacts
7.	GD8740	-	Socket Contact, No. 14
8.	GD8741	-	Pin Connector, No. 14
9.	GD8739	-	Sealing Plug, No. 12
10.	GA6109	1	Connector With Cable Clamp, 23 Pin Capacity
11.	GA7862	-	Dust Cap W/Chain
12.	GA7863	-	Dust Cap W/Chain
13.	GA6108	1	Connector With Cable Clamp, 23 Socket Capacity
14.	G1K248	-	3-Pin Female Connector Kit, Includes: (3) 3-Pin Female Housings, (9) Pin Contacts, (9) Seals
15.	G1K252	-	3-Pin Male Connector Kit, Includes: (3) 3-Pin Male Housings, (9) Socket Contacts, (9) Seals
16.	GD11089	-	Sealing Plug
17.	GA8047	-	Dust Plug
18.	GA8433	1	Hydraulic Wiring Harness, 6' 6"
19.	GA8432	1	Hydraulic Wiring Harness W/Dust Cap, 16'
20.	GA7077	1-4	Indicator Light
21.	GA2612	3-5	Fuse Holder W/Spade
22.	GD2829	1-2	Fuse, 15 Amp, Type AGC
23.	GD10243	2-6	Fuse, MOL 10 Amp Delay Action
24.	GR1363	5	Hex Face Nut, ¹⁵ / ₃₂ "-32
	GR1364	5	Internal Tooth Lock Washer, ¹⁵ / ₃₂ "
25.	GA8734	1	Cover Plate
26.	GR1292	4	Pan Head Screw, No. 8-32 x 1/2"
27.	GD3860	-	O-Ring (If Applicable)
28.	GA2528	2	Switch, 3 Position Toggle, On/Off/On
29.	GA6978	2	Switch, 3 Position Toggle, Momentary On/Off/ Momentary On
30.	GA6977	1-2	Switch, 2 Position Toggle, On/Off
31.	GA8731	1	Switch, Push Button W/Transformer
32.	GD9896	1	Mounting Bracket
33.	G10211	4	Washer, 1/4" SAE
34.	GA6975	2	Knob
35.	GR1290	2	Cage Nut, 1/4"-20
36.	G1K267	-	Power Lead Adapter Connector Kit, Includes: (1) 3-Pin Connector, (1) Cable Clamp, (3) Male Terminal Pins
37.	G1K268	-	Console Cable Connector Kit, Includes: (1) 3-Pin Connector, (1) Cable Clamp, (1) Lock Ring, (3) Female Terminal Pins
38.	GA7856	1	Power Lead Adapter
39.	GA8729	1	Harness W/Dust Cap And Power Cable
40.	G7633X	-	Back Lit Control Console Assembly With Mounting Brackets, Short Harness W/Dust Cap And Power Cable
41.	GA7399	-	Harness Extension W/Dust Caps, 15'
42.	GA9096	-	Harness Extension, 42"
43.	GD6291	-	Insulated Clamp

NOTE: See "Electronic Seed Monitor" for those components.

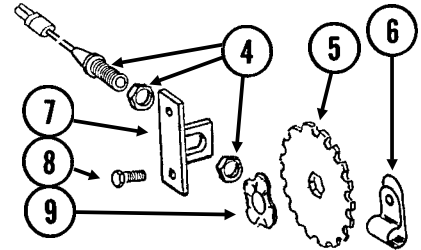
KPM I/KPM II ELECTRONIC SEED MONITOR

(MTR27v)

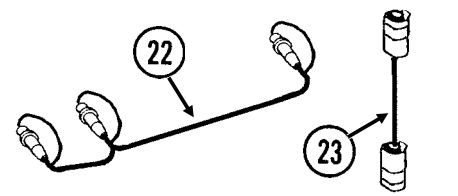
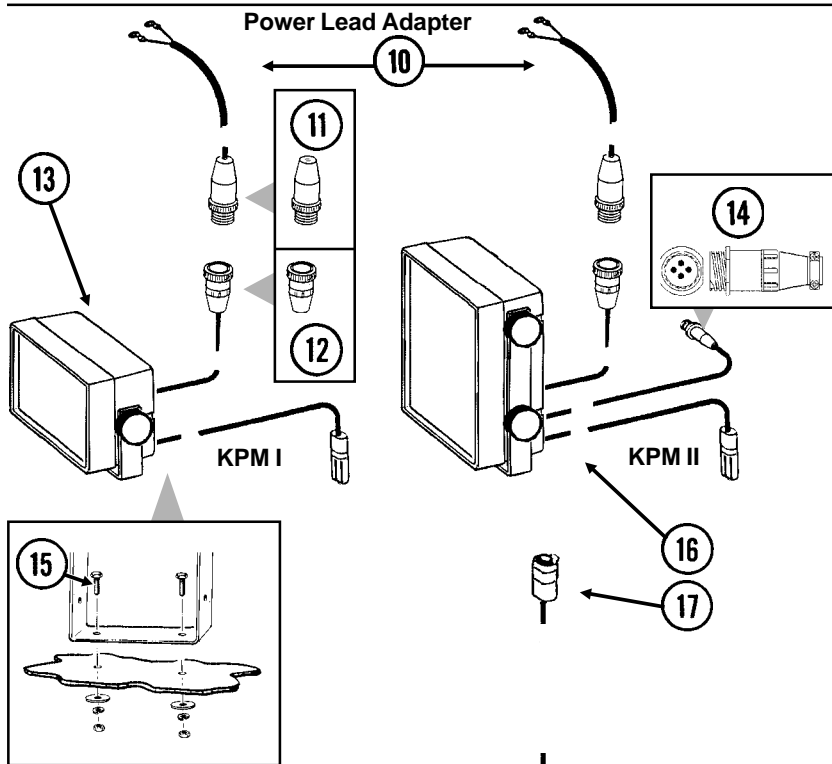
Radar Distance Sensor



Magnetic Distance Sensor (MDS)

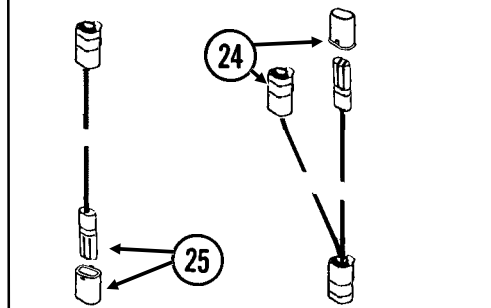


Power Lead Adapter



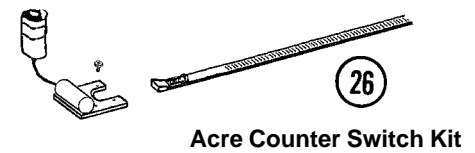
Radar Y-Cable

Splice Harness

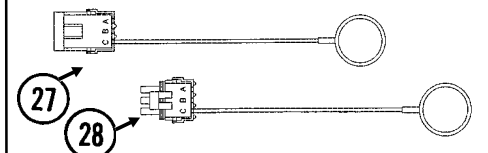


Extension Harness

Junction Harness



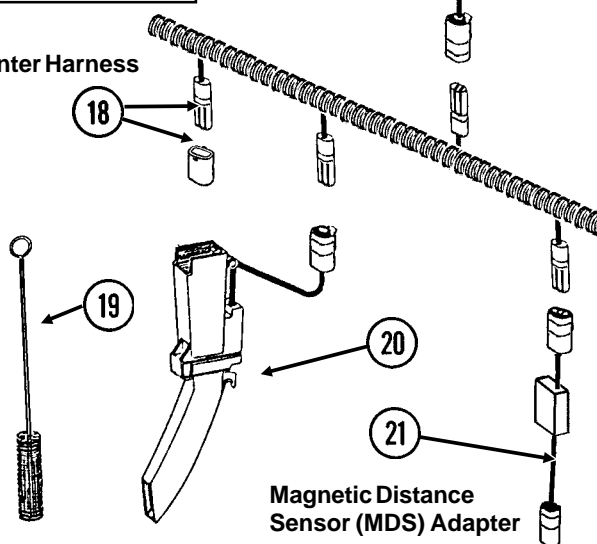
Acre Counter Switch Kit



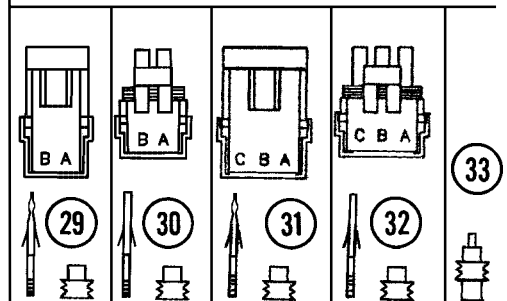
27

28

Planter Harness



Magnetic Distance Sensor (MDS) Adapter



33

29

30

31

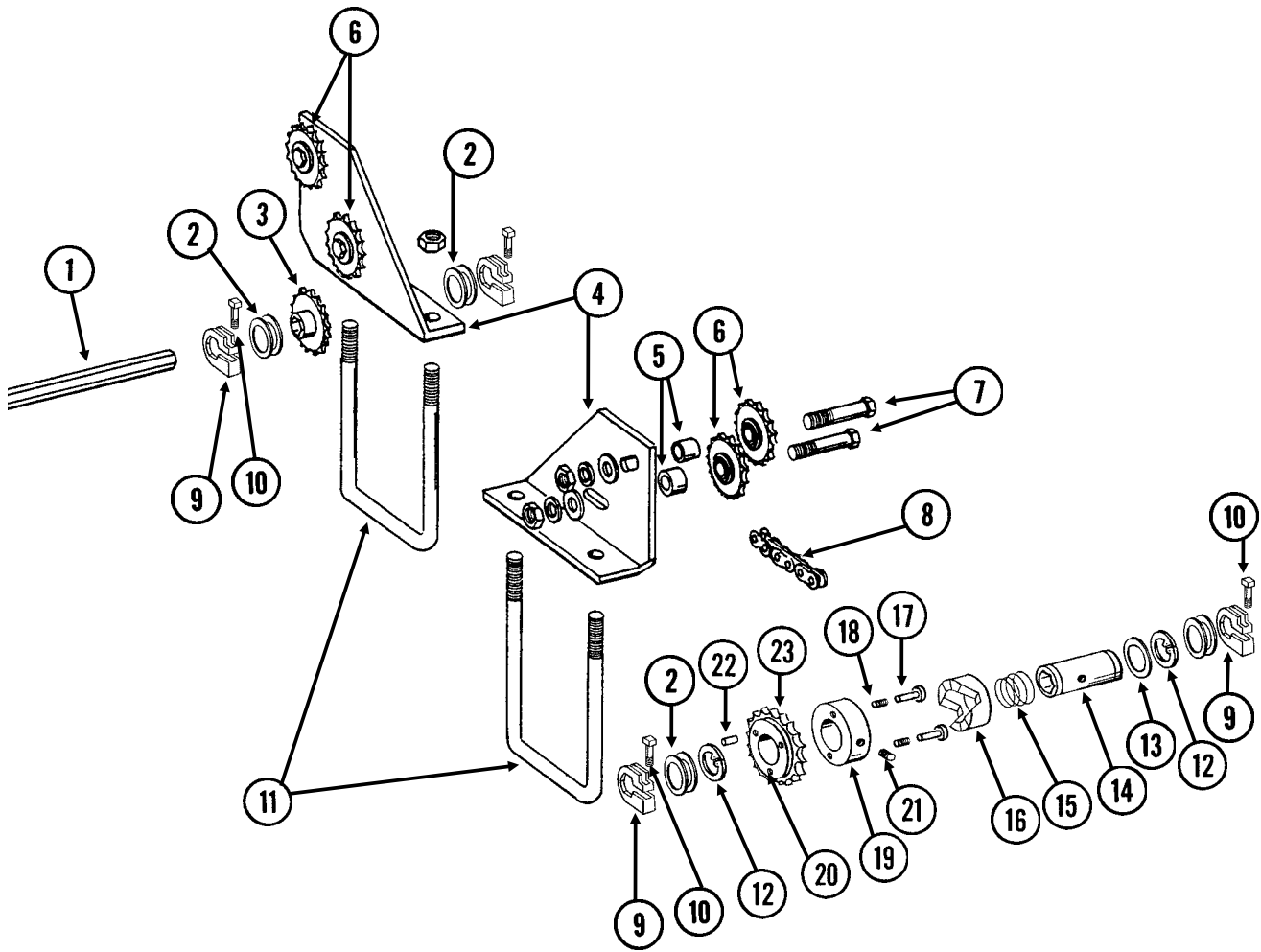
32

KPM I/KPM II ELECTRONIC SEED MONITOR

ITEM	PART NO.	QTY.	DESCRIPTION
1.	GA7858	-	Radar Distance Sensor W/20' Cable (Used W/KPM II Console Only)
2.	GA8026	-	Radar Sensor Pipe/Mounting Bracket Package
3.	G1K323	-	4-Pin Connector Kit W/Female Housing, 4 Pins And Cable Clamp
4.	GA5600	1	Magnetic Distance Sensor (Used W/KPM II Console Only)
5.	GD8751	-	Magnetic Distance Sensor Pulse Wheel (Used W/KPM II Console Only)
6.	GD6291	-	Insulated Clamp
7.	GD8770	1	Bracket
8.	G10004	2	Hex Head Cap Screw, 3/8"-16 x 1 1/4"
	G10229	2	Lock Washer, 3/8"
	G10101	2	Hex Nut, 3/8"-16
9.	GD8771	1	Spring Wave Washer
10.	GA7856	1	Power Lead Adapter
11.	G1K267	-	Power Lead Adapter Connector Kit, Includes: (1) Cable Clamp, (1) 3-Pin Connector, (3) Male Terminal Pins
12.	G1K268	-	Console Cable Connector Kit, Includes: (1) Cable Clamp, (1) 3-Pin Connector, (1) Lock Ring, (3) Female Terminal Pins
13.	GA8680	1	KPM I Back Lit Console W/Mounting Bracket, Power Lead Adapter (Item 10), Brush (Item 19) And Dust Plug (Item 27)
	GR1390	-	Mounting Bracket, KPM I
	GR1392	-	Console Mounting Bracket Hardware Package (Includes 2 Knobs And 1/4" Hardware)
14.	G1K322	-	4-Pin Connector Kit W/Male Housing, 4 Female Socket Contacts And Cable Clamp
15.	G10022	2	Hex Head Cap Screw, 1/4"-20 x 1/2"
	G10211	2	Washer, 1/4" SAE
	G10227	2	Lock Washer, 1/4"
	G10103	2	Hex Nut, 1/4"-20
16.	GA8681	-	KPM II Back Lit Console W/Mounting Bracket, Power Lead Adapter (Item 10), Brush (Item 19) And Dust Plug (Item 27)
	GR1391	-	Mounting Bracket, KPM II
	GR1393	-	Console Mounting Bracket Hardware Package (Includes 4 Knobs And 1/4" Hardware)
17.		-	Included In Planter Wiring Harnesses, See Item 21, Pages P72 And P73
18.	GA7851	-	Planter Harness W/Dust Caps, 12 Row (16 Connectors)
	GD11993	-	Dust Cap
19.	GR0594	-	Brush
20.	GA8495	-	Seed Tube W/Computerized Sensor
	GR1395	-	Sensor Only
	GR1461	-	Seed Tube (With Holes For Computerized Sensor Installation)
	GD2117	-	Tie Strap, 14 1/2"
21.	GA7859	1	Magnetic Distance Sensor Adapter (Analog To Digital)
22.	GR0586	1	Radar Y-Cable (Used To Connect Radar Distance Sensor For Multiple Functions)
23.	GA7857	-	Splice Harness, 1'
24.	GA7853	-	Junction Harness W/Dust Cap
	GD11993	-	Dust Cap
25.	GA7854	-	Extension Harness W/Dust Cap, 15'
	GA7855	-	Extension Harness W/Dust Cap, 30'
	GD11993	-	Dust Cap
26.	G1K249	-	Acre Counter Switch Kit (Used W/KPM II Console Only)
27.	GA8046	-	Dust Plug
28.	GA8047	-	Dust Plug
29.	G1K321	-	2-Pin Female Connector Kit, Includes: (3) 2-Pin Female Housings, (6) Pin Contacts, (6) Seals
30.	G1K320	-	2-Pin Male Connector Kit, Includes: (3) 2-Pin Male Housings, (6) Socket Contacts, (6) Seals
31.	G1K248	-	3-Pin Female Connector Kit, Includes: (3) 3-Pin Female Housings, (9) Pin Contacts, (9) Seals
32.	G1K252	-	3-Pin Male Connector Kit, Includes: (3) 3-Pin Male Housings, (9) Socket Contacts, (9) Seals
33.	GD11089	-	Sealing Plug
A.	GA6147	-	Magnetic Distance Sensor And Mounting Package (Items 4-9)

INTERPLANT® DRIVELINE

PTD073(TWL167a)

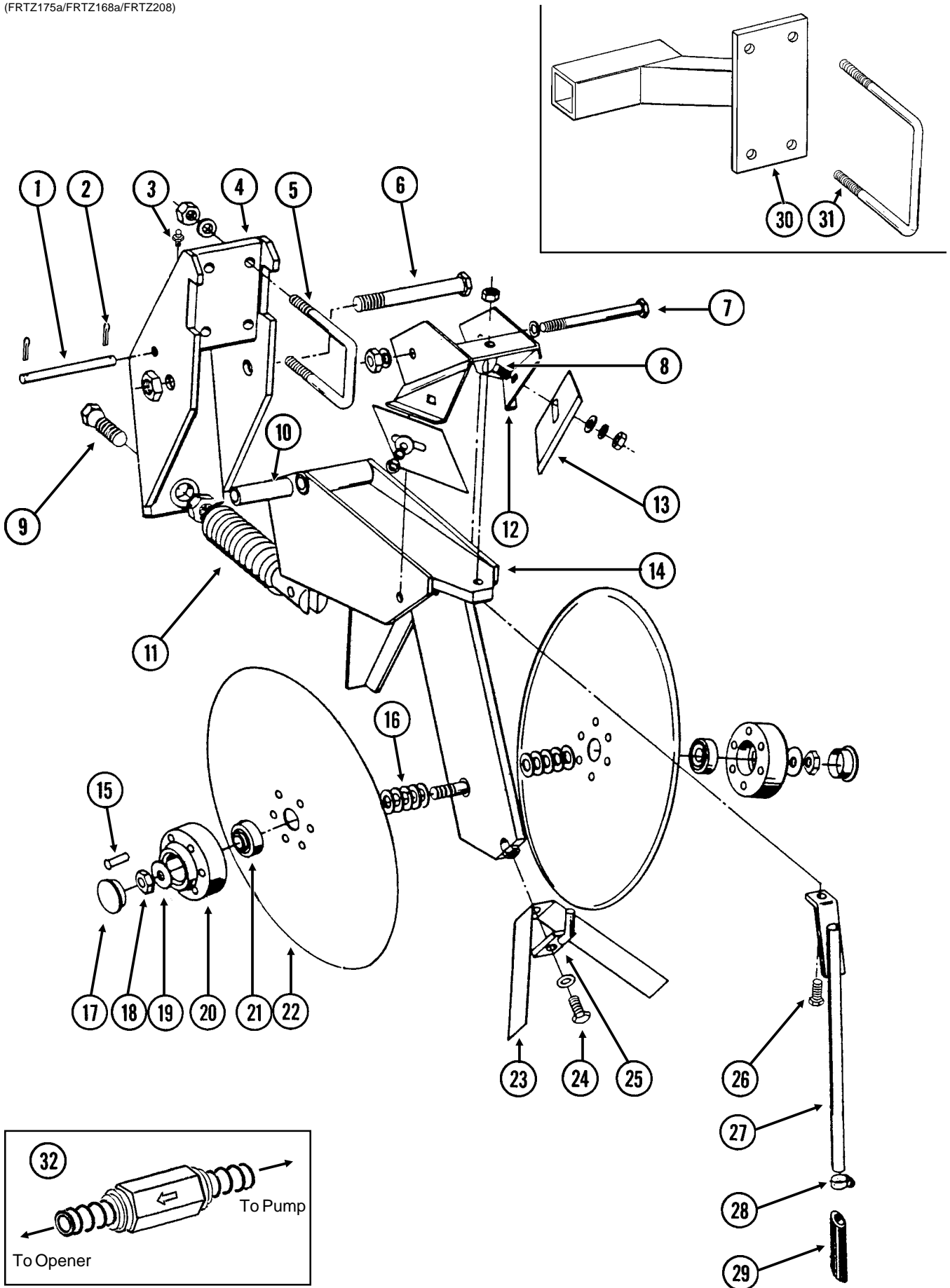


INTERPLANT® DRIVELINE

ITEM	PART NO.	QTY.	DESCRIPTION
1.	GD0914-208	-	Hex Shaft, 7/8" x 208" (No Holes)
2.	G10233	-	Machine Bushing, 1", 10 Gauge (As Required)
3.	GA5107	2	Sprocket, 19 Tooth
4.	GD11569	2	Mount
5.	GD9229	4	Spacer, 1 1/4" O.D. x 1/2" Long
6.	GA7154	-	Sprocket W/Bearing, 18 Tooth
7.	G10581	4	Hex Head Cap Screw, 1/2"-13 x 2 1/4"
	G10216	20	Washer, 1/2" USS
	G10228	4	Lock Washer, 1/2"
	G10102	4	Hex Nut, 1/2"-13
8.	G3310-328	1	Chain, No. 40, 328 Pitch Including Connector Link
	GR0912	-	Connector Link, No. 40
9.	GD11045	6	Lock Clamp
10.	G10130	6	Square Head Machine Bolt, 5/16"-18 x 1 3/4"
	G10923	6	Flange Nut, 5/16"-18, No Serration
11.	GD8306	2	U-Bolt, 7" x 5" x 1/2"-13
	G10228	4	Lock Washer, 1/2"
	G10102	-	Hex Nut, 1/2"-13
12.	G10496	2	External Inverted Snap Ring, 1 1/2"
13.	GR1411	1	Shim
14.	GR1407	1	Drive Shaft
15.	GR1408	1	Compression Spring
16.	GR1409	1	Knurled Collar
17.	GR1410	1	Pin
18.	GR1413	1	Spring
19.	GR1405	1	Lock Collar
20.	GR1406	1	Bushing
21.	G10535	1	Hex Socket Set Screw, 3/8"-16 x 3/4"
22.	G10968	1	Spring Pin, 5/32" x 7/16"
23.	GR1412	1	Sprocket, 19 Tooth
A.	GA8092	-	Clutch Sprocket Assembly, 19 Tooth (Items 12-23)
B.	G1K269	-	Lock Clamp Kit (Items 9 And 10)

DOUBLE DISC FERTILIZER OPENER AND MOUNT

(FRTZ175a/FRTZ168a/FRTZ208)

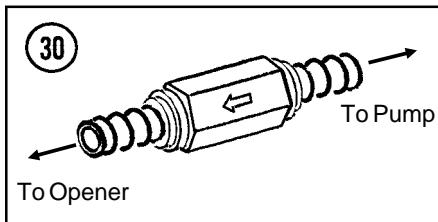
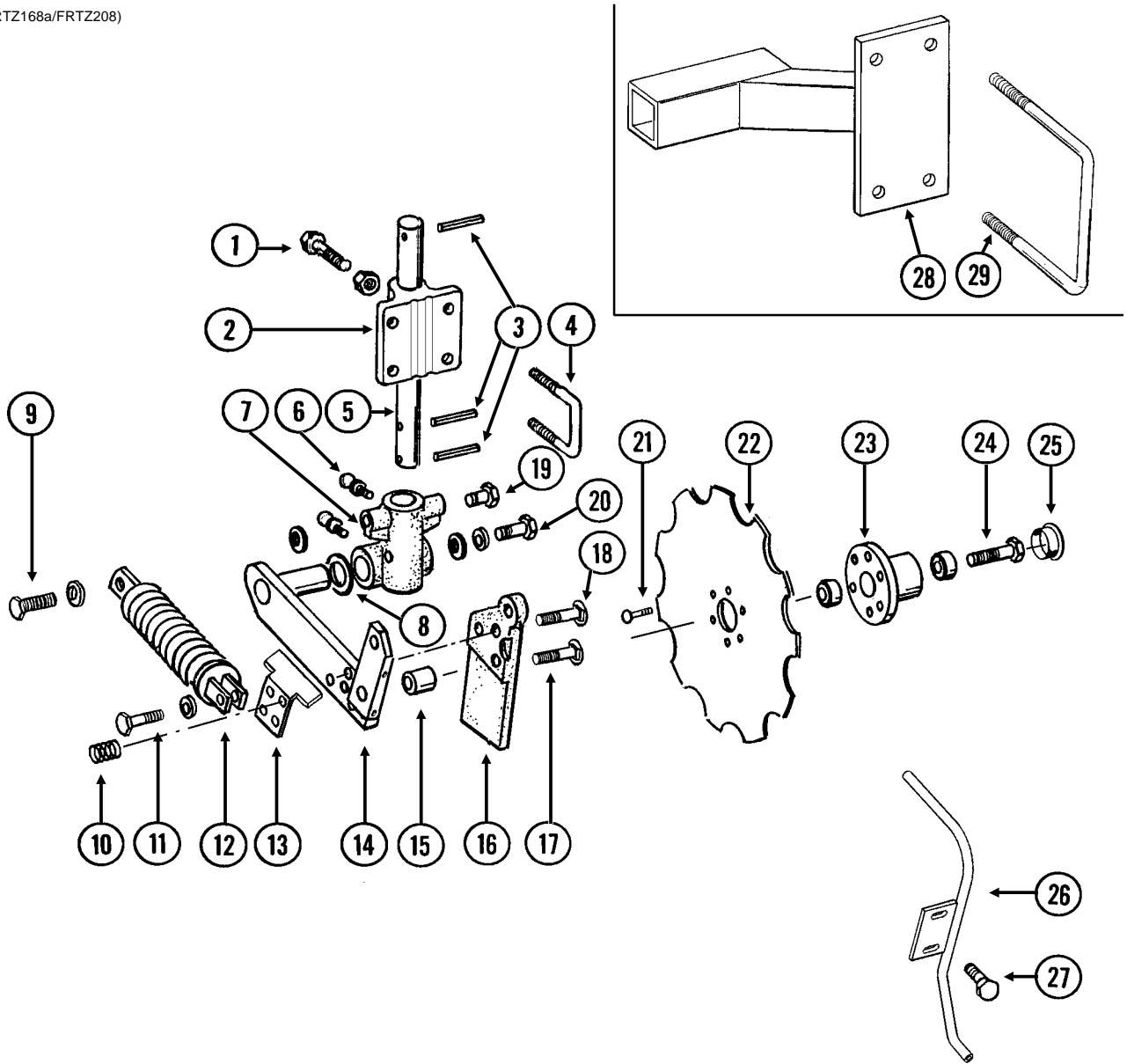


DOUBLE DISC FERTILIZER OPENER AND MOUNT

ITEM	PART NO.	QTY.	DESCRIPTION
		(Per Assy.)	
1.	GD1657	1	Lockup Pin
2.	G10451	2	Cotter Pin, 1/8" x 1"
3.	G10938	1	Grease Fitting, 1/4"-28 Taper Thread
4.	GA8483	1	Bracket
5.	GD1138	2	U-Bolt, 2 1/2" x 2 1/2" x 1/2"-13
	G10228	4	Lock Washer, 1/2"
	G10102	4	Hex Nut, 1/2"-13
6.	G10046	1	Hex Head Cap Screw, 5/8"-11 x 5"
	G10107	1	Lock Nut, 5/8"-11
7.	G10045	1	Hex Head Cap Screw, 1/2"-13 x 4 1/2"
	G10111	1	Lock Nut, 1/2"-13
8.	G10305	2	Carriage Bolt, 3/8"-16 x 1"
	G10210	2	Washer, 3/8" USS
	G10229	2	Lock Washer, 3/8"
	G10101	2	Hex Nut, 3/8"-16
9.	GD0962	1	Hex Head Adjusting Bolt, 5/8"-18 x 3 1/4"
	G10499	1	Jam Nut, 5/8"-18
10.	GD0487	1	Bushing, 41/64" I.D. x 3 1/2" Long
11.	GA0328	1	Spring
12.	GA0810	1	Scraper Mount
13.	GD1673	2	Scraper
14.	GA8484	1	Shank
15.	G10542	12	Rivet, 1/4" x 1 5/16"
16.	G10213	-	Machine Bushing, 5/8" (.030" Thick)
17.	GD1132	2	Dust Cap
18.	G10503	1	Jam Nut, 5/8"-11
	G10504	1	Jam Nut, 5/8"-11, L.H. Thread
19.	G10204	2	Special Machine Bushing, 5/8" x 1" O.D.
20.	GB0134	2	Hub
21.	GA2014	2	Bearing
22.	GD11306	2	Disc Blade, 15"
23.	GD2589	1	Inner Scraper
24.	G10019	1	Hex Head Cap Screw, 5/16"-18 x 1"
	G10232	1	Lock Washer, 5/16"
25.	GA0312	1	Mount
26.	G10133	1	Hex Head Cap Screw, 5/16"-18 x 1 1/2"
	G10109	1	Lock Nut, 5/16"-18
27.	GA8685	-	Drop Tube, Liquid Fertilizer
28.	G10681	-	Hose Clamp, No. 6
29.	GD11705	-	Extension
30.	GA8081	-	Opener Mount, L.H. (Shown)
	GA8080	-	Opener Mount, R.H.
31.	GD1113	2	U-Bolt, 5" x 7" x 5/8"-11
	G10230	4	Lock Washer, 5/8"
	G10104	4	Hex Nut, 5/8"-11
32.	GA8983	-	Check Valve
A.	GA8845	-	Disc Blade And Bearing Assembly (Items 15 And 20-22)

NOTCHED SINGLE DISC FERTILIZER OPENER AND MOUNT

(PT67/FRTZ168a/FRTZ208)

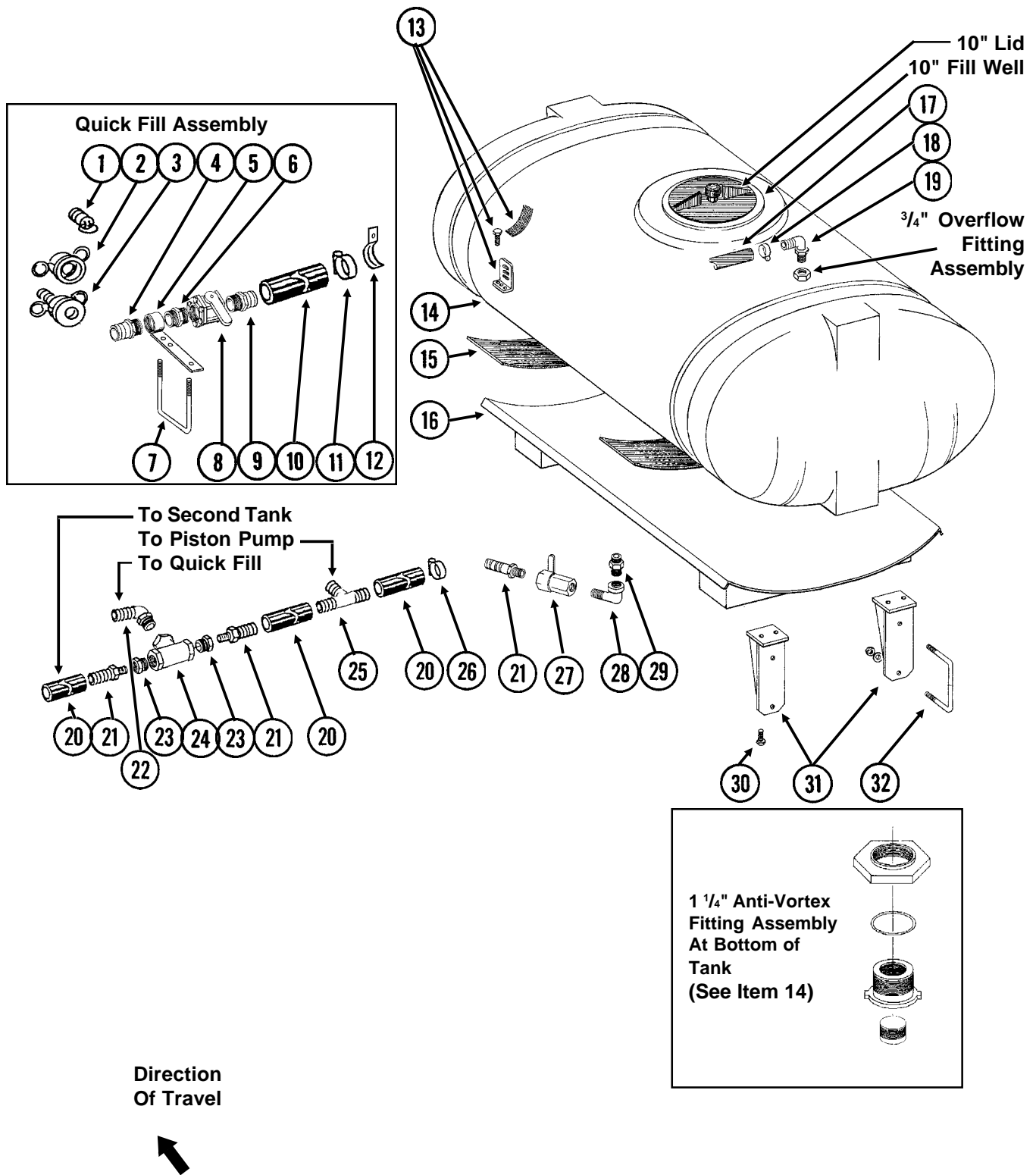


NOTCHED SINGLE DISC FERTILIZER OPENER AND MOUNT

ITEM	PART NO.	QTY.	DESCRIPTION
		(Per Assy.)	
1.	G10014	2	Hex Head Cap Screw, 1/2"-13 x 1"
	G10102	2	Hex Nut, 1/2"-13
2.	GB0270	1	Mount
3.	G10476	3	Spring Pin, 3/8" x 2 1/4"
4.	GD1138	2	U-Bolt, 2 1/2" x 2 1/2" x 1/2"-13
	G10228	4	Lock Washer, 1/2"
	G10102	4	Hex Nut, 1/2"-13
5.	GD9908	1	Shaft, 1 1/2" x 14"
6.	G10641	2	Grease Fitting, 1/8" NPT
7.	GB0250	1	Pivot
8.	G10450	2	Machine Bushing, 1 1/2", 18 Gauge
9.	GD7818	1	Special Bolt
	GD7805	2	Special Washer, 5/8" Hardened
10.	GD11106	1	Spring
11.	G10047	1	Hex Head Cap Screw, 3/8"-16 x 1 3/4"
	G10210	1	Washer, 3/8" USS
	GD1026	1	Sleeve, 1 3/16" Long
	G10108	1	Lock Nut, 3/8"-16
12.	GA6966	1	Compression Spring Assembly
13.	GD11097	1	Shield
14.	GA8007	1	Pivot Arm, L.H. (Shown)
	GA8008	-	Pivot Arm, R.H.
15.	GD7817-05	1	Spacer, 1 1/16" I.D. x 1 1/4" Long
16.	GB0249	1	Knife/Scraper, L.H. (Shown)
	GB0248	-	Knife/Scraper, R.H.
17.	G10306	2	Carriage Bolt, 3/8"-16 x 2"
	G10108	2	Lock Nut, 3/8"-16
18.	G10898	1	Carriage Bolt, 3/8"-16 x 2 3/4"
	G10210	1	Washer, 3/8" USS
	G10108	1	Lock Nut, 3/8"-16
19.	G10438	1	Hex Head Cap Screw, 1/2"-13 x 3/4"
20.	G10007	1	Hex Head Cap Screw, 5/8"-11 x 1 1/2"
	G10230	1	Lock Washer, 5/8"
	G10217	1	Washer, 5/8" USS
21.	G10886	6	Truss Head Bolt, 5/16"-18 x 1"
	G10106	6	Hex Nut, 5/16"-18
22.	GD9934	1	Disc Blade, Notched, 16 3/4"
23.	GA5654	1	Hub W/Bearings
	GA2014	-	Bearing
24.	G10013	1	Hex Head Cap Screw, 5/8"-11 x 3 1/2"
25.	GD1132	1	Dust Cap
26.	GA8398	1	Liquid Drop Tube, R.H.
	GA8399	-	Liquid Drop Tube, L.H.
27.	G10043	2	Hex Head Cap Screw, 5/16"-18 x 3/4"
	G10232	2	Lock Washer, 5/16"
	G10219	2	Washer, 5/16" USS
28.	GA8081	-	Opener Mount, L.H. (Shown)
	GA8080	-	Opener Mount, R.H.
29.	GD1113	2	U-Bolt, 5" x 7" x 5/8"-11
	G10230	4	Lock Washer, 5/8"
	G10104	4	Hex Nut, 5/8"-11
30.	GA8983	-	Check Valve
A.	G7534X	-	Drop Tube Bundle (1 L.H. And 1 R.H.) (Item 26)

LIQUID FERTILIZER TANKS, SADDLES, SADDLE MOUNTS AND HOSES

LFC037/LFC038(FRTZ196)



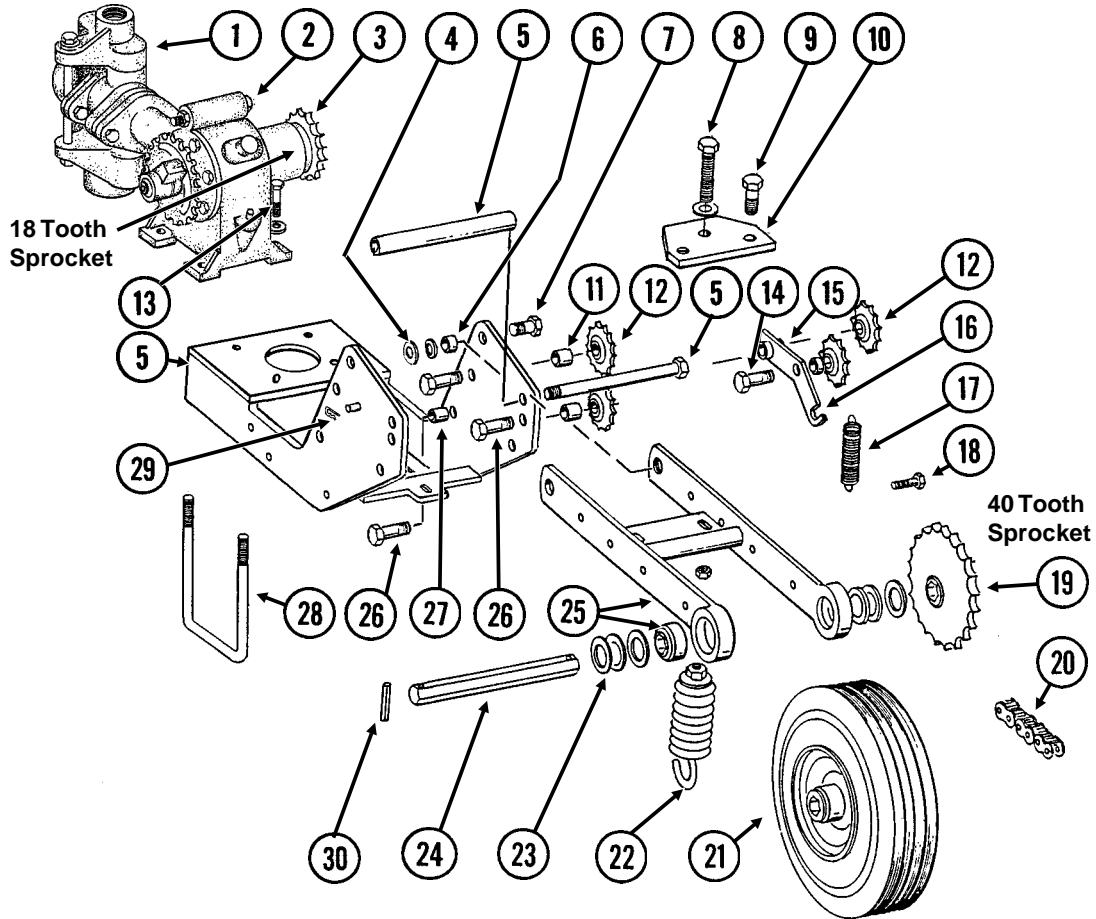
LIQUID FERTILIZER TANKS, SADDLES, SADDLE MOUNTS AND HOSES

ITEM	PART NO.	QTY.	DESCRIPTION
1.	GD10777	1	Dust Plug, 2" Male Cam Lock
2.	GD3622	1	Adapter, 2" Female NPT To Cam Lock
3.	GD3951	1	Dust Cap, 2" Cam Lock
4.	GD3623	1	Adapter, 2" Male NPT To Cam Lock
5.	GA8082	1	Quick Fill Mount, 2" NPT
6.	G10623	1	Close Nipple, 2" NPT
7.	GD1134	1	U-Bolt, 7" x 5" x 5/8"-11
	G10230	2	Lock Washer, 5/8"
	G10104	2	Hex Nut, 5/8"-11
8.	GA2660	1	Shutoff Valve, 2" NPT
9.	G10628	1	Adapter, 2" NPT To Barb
10.	G4201-04	1	Hose, 2" x 15'
11.	G10676	2	Hose Clamp, No. 36
12.	GD11235	1	Hose Clamp, 2"
13.	GA8114	2	Tank Mounting Hardware Package, Includes: (2) Straps, (4) Anchors, (8) G10485, (8) G10901
	G10485	-	Hex Head Tap Bolt, 3/8"-16 x 5"
	G10901	-	Lock Nut, 3/8"-16
14.	GA8085	2	Tank With Lid And Fittings, 200 Gallon
	GR1005	-	Fill Well, 10", Threaded (Top Of Tank)
	GR1006	-	Lid, 10", Threaded (Top Of Tank)
	GR0513	-	3/4" Polypropylene Overflow Fitting Assembly (Nut, Bushing And O-Ring) (Top Of Tank)
	GR1435	-	1 1/4" Anti-Vortex Fitting Assembly (Nut, Bushing And O-Ring) (Bottom Of Tank)
15.	GD1862	-	Pad, 8" x 14'
16.	GA8088	2	Tank Saddle
17.	G4205-11	-	Hose, 3/4" x 72" (One Per Tank)
18.	G10278	4	Hose Clamp, No. 16
19.	G10917	2	Elbow, 90°, 3/4" NPT To Barb
20.	G4200-01	1	Hose, 1 1/4" x 25'
21.	G10626	4	Adapter, 1 1/4" NPT To Barb
22.	G10630	1	Elbow, 90°, 2" NPT To Barb
23.	G10616	2	Reducing Bushing, 2" Male NPT To 1 1/4" Female
24.	G10888	1	Tee, 2" Female NPT
25.	G10633	1	Tee, 1 1/4" Barb
26.	G10674	10	Hose Clamp, No. 24
27.	GA4976	2	Shutoff Valve, 1 1/4" NPT
	GR1015	-	Body O-Ring
	GR1016	-	Stem O-Ring
	GR1017	-	Teflon Seal
	GR1018	-	Ball
	GR1019	-	Handle
28.	G10887	2	Elbow, 90°, 1 1/4" Male NPT To Female
29.	G10619	2	Close Nipple, 1 1/4" NPT
30.	G10017	16	Hex Head Cap Screw, 1/2"-13 x 1 1/2"
	G10216	32	Washer, 1/2" USS
	G10228	16	Lock Washer, 1/2"
	G10102	16	Hex Nut, 1/2"-13
31.	GA8438	8	Saddle Mount
32.	GD1113	8	U-Bolt, 5" x 7" x 5/8"-11
	G10230	16	Lock Washer, 5/8"
	G10104	16	Hex Nut, 5/8"-11

LIQUID FERTILIZER PISTON PUMP DRIVE

LFC028(TWL43f)

40 Tooth Drive Sprocket And 18 Tooth Driven Sprocket



ITEM	PART NO.	QTY.	DESCRIPTION
1.		-	See "Liquid Fertilizer Piston Pump (Cylinder Assembly)", Pages P90 And P91
2.		-	See "Liquid Fertilizer Piston Pump (Crankcase Assembly)", Pages P88 And P89
3.		-	Sprocket, 18 Tooth, See "Liquid Fertilizer Piston Pump (Crankcase Assembly)", Pages P88 And P89
4.	GD7805	2	Hardened Washer, $\frac{5}{8}$ ", Hardened
5.	GA8486	1	Pump Mount W/Sleeve And Sleeve Mounting Hardware
	GD10165	1	Sleeve, $6 \frac{3}{4}$ "
	G10819	1	Hex Head Cap Screw, $\frac{1}{2}$ "-13 x $8 \frac{1}{2}$ "
	G10228	1	Lock Washer, $\frac{1}{2}$ "
	G10102	1	Hex Nut, $\frac{1}{2}$ "-13
6.	GB0218	2	Bushing, $\frac{21}{32}$ " I.D. x $\frac{7}{8}$ " O.D. x $\frac{19}{32}$ " Long

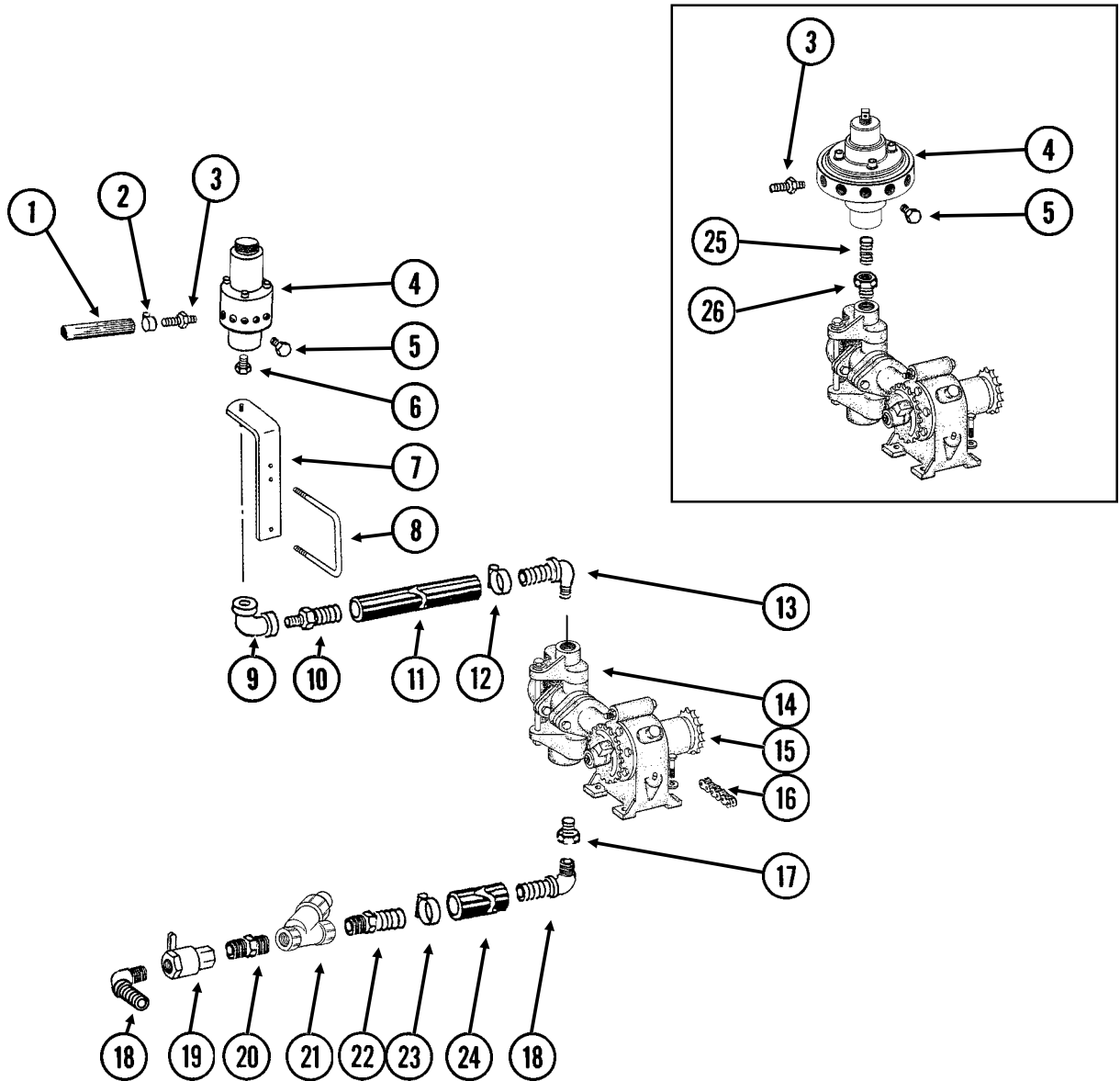
LIQUID FERTILIZER PISTON PUMP DRIVE

ITEM	PART NO.	QTY.	DESCRIPTION
7.	G10005	2	Hex Head Cap Screw, 5/8"-11 x 1 3/4"
	G10235	2	Machine Bushing, 7/8", 14 Gauge
	G10107	2	Lock Nut, 5/8"-11
8.	G10371	1	Hex Head Cap Screw, 1/2"-13 x 3", Full Thread
	G10206	1	Washer, 1/2" SAE
	G10102	1	Hex Nut, 1/2"-13
9.	G10039	2	Hex Head Cap Screw, 1/2"-13 x 1 3/4"
	G10206	2	Washer, 1/2" SAE
	G10228	2	Lock Washer, 1/2"
	G10102	2	Hex Nut, 1/2"-13
10.	GD10156	1	Spring Mount
11.	GD10007	2	Spacer, 1 1/8"
12.	GA7154	4	Sprocket W/Bearing, 18 Tooth
13.	G10003	4	Hex Head Cap Screw, 3/8"-16 x 1 1/2"
	GR1122	4	Mounting Pad
	G10210	4	Washer, 3/8" USS
	G10229	4	Lock Washer, 3/8"
	G10101	4	Hex Nut, 3/8"-16
	14.	G10016	1
G10228		1	Lock Washer, 1/2"
G10102		1	Hex Nut, 1/2"-13
15.	GD10161	1	Spacer, 3/8"
16.	GA7179	1	Idler Arm
17.	GD5857	1	Spring
18.	G10003	1	Hex Head Cap Screw, 3/8"-16 x 1/2"
	G10229	1	Lock Washer, 3/8"
	G10101	2	Hex Nut, 3/8"-16
19.	GA7180	1	Sprocket, 40 Tooth
20.	G3310-160	1	Chain, No. 40, 160 Pitch Including Connector Link
	GR0912	-	Connector Link, No. 40
21.	GA5090	1	Tire And Rim Assembly (Specify Brand*)
	GD5753	-	Tire, 4.10" x 6" (Specify Brand*)
	GD5752	-	Tube
22.	GA2068	1	Spring
23.	G10233	5	Machine Bushing, 1", 10 Gauge
24.	GD5797	1	Shaft, 7/8" x 10"
25.	GA6415	1	Wheel Arm W/Bearings
	GA5116	-	Bearing, 7/8" Hex Bore, Cylindrical
26.	G10038	3	Hex Head Cap Screw, 1/2"-13 x 3"
	G10228	3	Lock Washer, 1/2"
	G10102	3	Hex Nut, 1/2"-13
27.	GD7904-04	-	Sleeve, 1/2" x 1 1/8" Long
28.	GD1134	2	U-Bolt, 7" x 5" x 5/8"-11
	G10217	4	Washer, 5/8" USS
	G10230	4	Lock Washer, 5/8"
	G10104	4	Hex Nut, 5/8"-11
29.	G10670	1	Hair Pin Clip, No. 3
30.	G10602	2	Spring Pin, 1/4" x 1 1/2"

* Specific brand requests will be supplied only as available from current KINZE® stock. If a specific brand requested is not in stock, the brand available will be supplied. Different brand tires may have different diameters. Change in tire brand could result in rate changes.

LIQUID FERTILIZER FLOW DIVIDER MOUNT AND HOSES

(FRTZ176c/FRTZ176i)



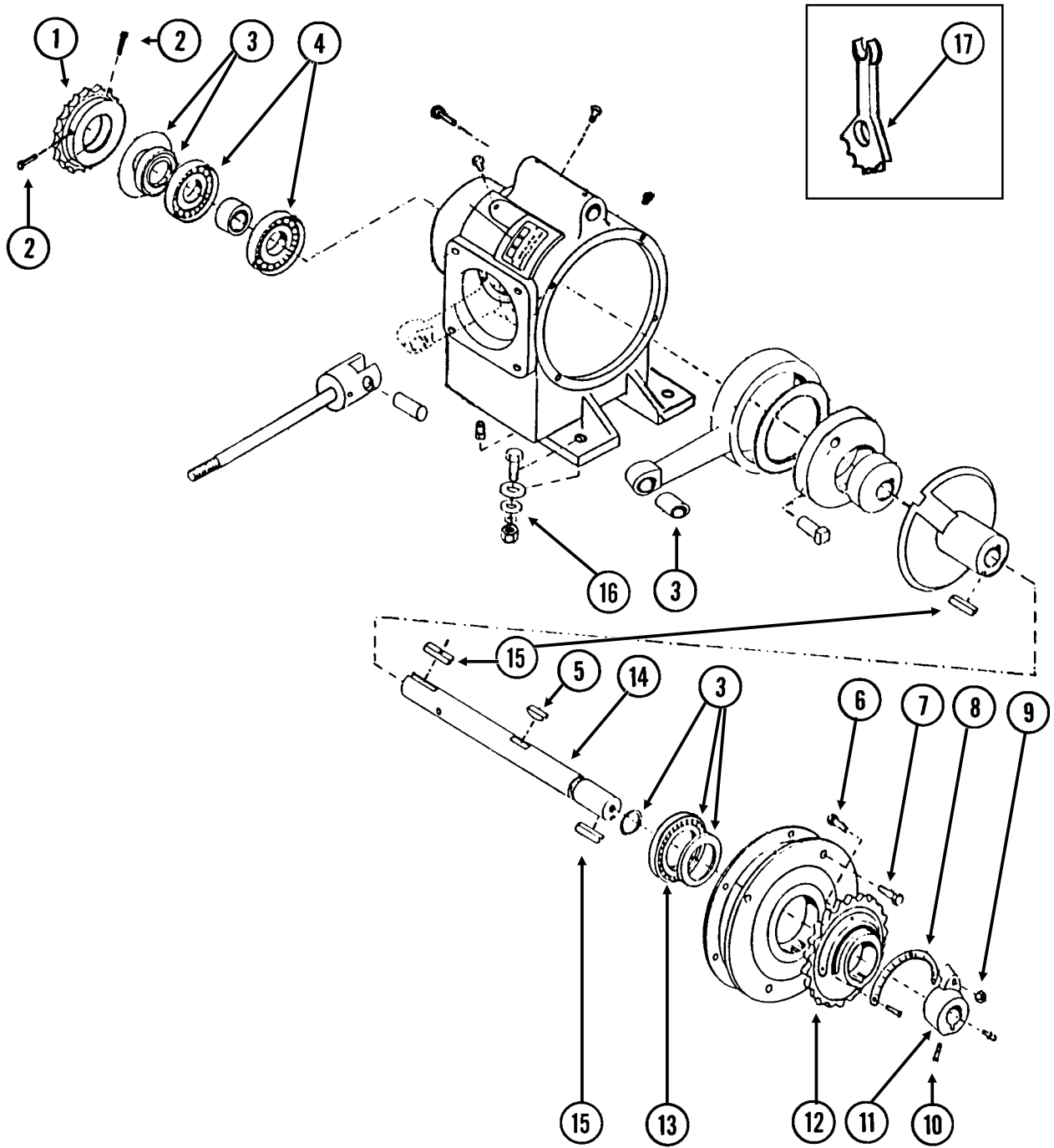
LIQUID FERTILIZER FLOW DIVIDER MOUNT AND HOSES

ITEM	PART NO.	QTY.	DESCRIPTION
1.	G4301-06	1	Hose, 3/8" x 160'
2.	G10681	24	Hose Clamp, No. 6
3.	GD11700	12	Adapter, 1/4" NPT To 3/8" Barb
4.		-	See "Liquid Fertilizer Piston Pump Flow Divider", Pages P92 And P93
5.	G10292	-	Pipe Plug, 1/4" NPT
6.	G10613	1	Reducing Bushing, 1" Male NPT To 3/4" Female (If Applicable)
7.	GA6527	1	Support, 3/4" NPT
8.	GD1113	1	U-Bolt, 5" x 7" x 5/8"-11
	G10230	2	Lock Washer, 5/8"
	G10104	2	Hex Nut, 5/8"-11
9.	G10733	1	Elbow, 90°, 3/4" Female NPT
10.	G10734	1	Adapter, 3/4" NPT To Barb
11.	G4205-03	-	Hose, 3/4" x 97"
12.	G10278	2	Hose Clamp, No. 16
13.	G10896	1	Elbow, 90°, 3/4" Barb To 1" NPT
14.		-	See "Liquid Fertilizer Piston Pump (Cylinder Assembly)", Pages P90 And P91
15.		-	See "Liquid Fertilizer Piston Pump (Crankcase Assembly)", Pages P88 And P89
16.		-	See "Liquid Fertilizer Piston Pump Drive", Pages P84 And P85
17.	G10615	1	Reducing Bushing, 1 1/2" Male NPT To 1 1/4" Female
18.	G10629	2	Elbow, 90°, 1 1/4" NPT To Barb
19.	GA4976	2	Shutoff Valve, 1 1/4" NPT
	GR1015	-	Body O-Ring
	GR1016	-	Stem O-Ring
	GR1017	-	Teflon Seal
	GR1018	-	Ball
	GR1019	-	Handle
20.	G10619	1	Close Nipple, 1 1/4" NPT
21.	GA3893	1	Strainer Complete
	GR0880	-	Screen, No. 40 Mesh
	GR0881	-	Gasket
	GR0882	-	Y-Body
	GR0883	-	End Cap
22.	G10626	2	Adapter, 1 1/4" NPT To Barb
23.	G10674	2	Hose Clamp, No. 24
24.		-	Hose, 1 1/4", See "Liquid Fertilizer Tanks, Saddles, Saddle Mounts And Hoses", Pages P82 And P83
25.	G10994	1	Close Nipple, 3/4" NPT, Stainless Steel
26.	G10995	1	Reducing Bushing, 1" Male NPT To 3/4" Female, Stainless Steel

LIQUID FERTILIZER PISTON PUMP (Crankcase Assembly) Uses 18 Tooth Sprocket

JB-L4400-991/CCU077(FRTZ172a)

Model LM-2455-R



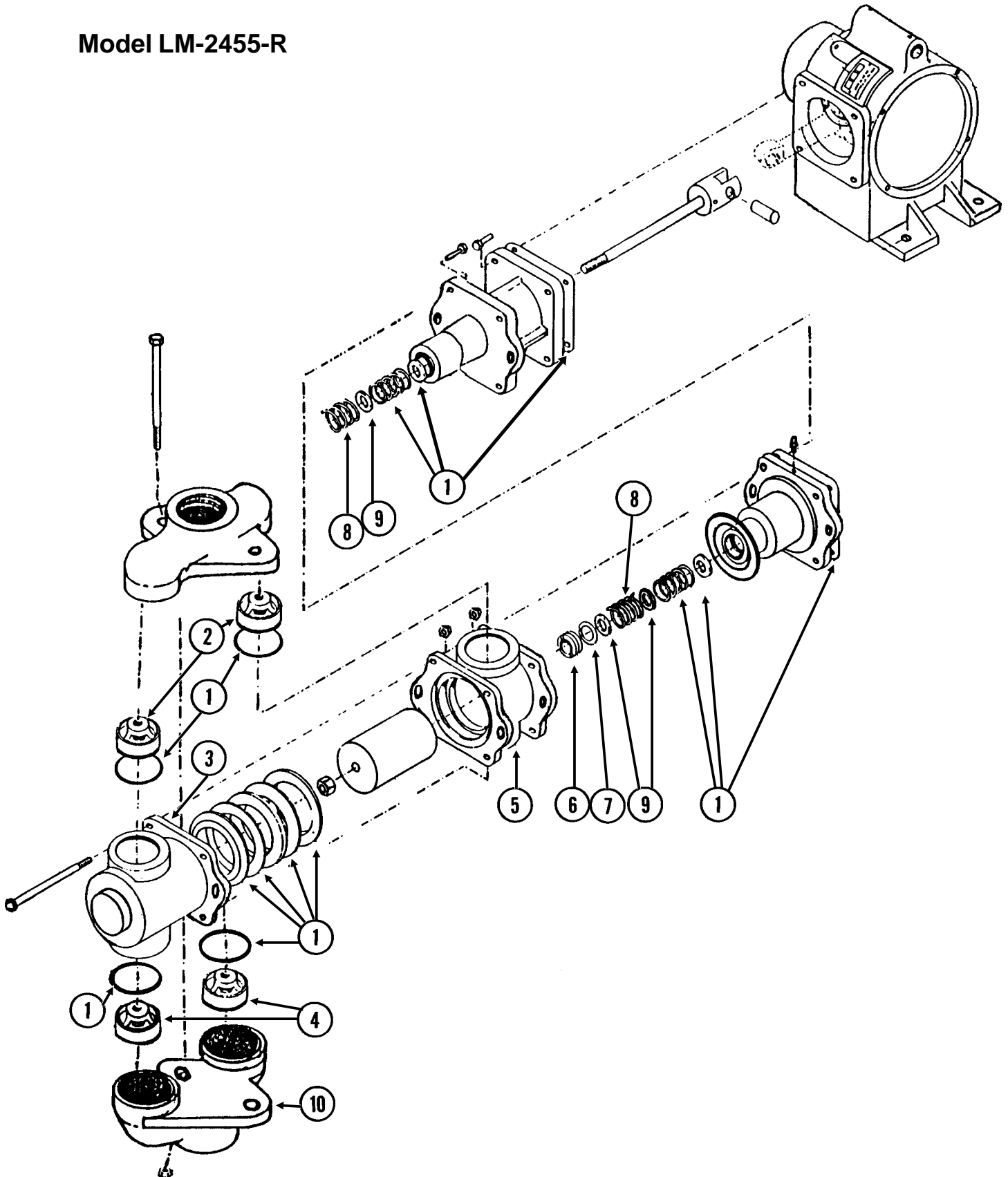
LIQUID FERTILIZER PISTON PUMP (Crankcase Assembly) Uses 18 Tooth Sprocket

ITEM	PART NO.	QTY.	DESCRIPTION
1.	GR1389	1	Sprocket, 18 Tooth
2.	G10688	2	Hex Socket Head Set Screw, $\frac{3}{8}$ "-16 x $\frac{5}{8}$ "
3.	GR1425	1	Repair Kit, Also Includes Item 1 On Pages P90 And P91
4.	GR1427	2	Bearing
5.	GR1420	1	Woodruff Key, $\frac{3}{8}$ "-16 x 1 $\frac{3}{4}$ "
6.	GR1167	1	Square Head Bolt, $\frac{3}{8}$ "-16 x 1 $\frac{3}{4}$ "
7.	G10043	4	Hex Head Cap Screw, $\frac{5}{16}$ "-18 x $\frac{3}{4}$ "
8.	GR1168	1	Scale
9.	G10108	1	Lock Nut, $\frac{3}{8}$ "-16
10.	G10693	3	Hex Socket Head Set Screw, $\frac{5}{16}$ "-18 x $\frac{3}{8}$ "
11.	GR1165	1	Arm
12.	GR1114	1	Flange
13.	GR1116	1	Bearing
14.	GR1421	1	Crankshaft
15.	GR1118	2	Setting Arm Key
16.		-	See "Liquid Fertilizer Piston Pump Drive", Pages P84 And P85
17.	GR1424	1	Adjustment Wrench
A.	GA8069	-	Piston Pump Complete With 18 Tooth Sprocket (LM-2455-R), Includes Crankcase Assembly On This Page And Cylinder Assembly On Pages P90 And P91

LIQUID FERTILIZER PISTON PUMP (Cylinder Assembly) Uses 18 Tooth Sprocket

JB-L2190-991(FRTZ171)

Model LM-2455-R



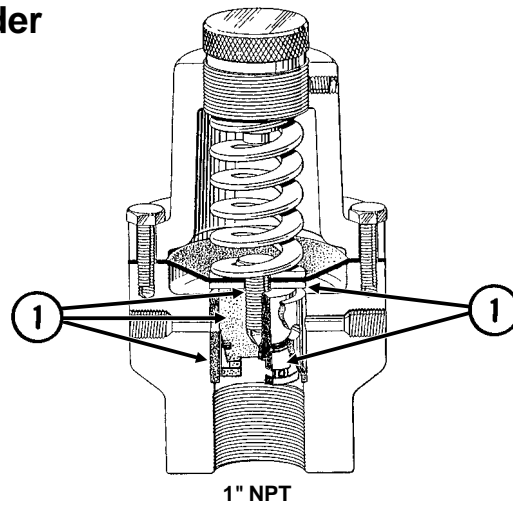
LIQUID FERTILIZER PISTON PUMP (Cylinder Assembly) Uses 18 Tooth Sprocket

ITEM	PART NO.	QTY.	DESCRIPTION
1.	GR1425	1	Repair Kit, Also Includes Item 3 On Pages P88 And P89
2.	GR1144	2	Discharge Valve
3.	GR1423	1	Outboard Cylinder
4.	GR1142	2	Suction Valve
5.	GR1422	1	Inboard Cylinder
6.	GR1134	1	Stuffing Box Insert
7.	GR1133	1	Retaining Ring
8.	GR1130	2	Packing Spring
9.	GR1129	3	Washer
10.	GR1451	1	Suction Manifold

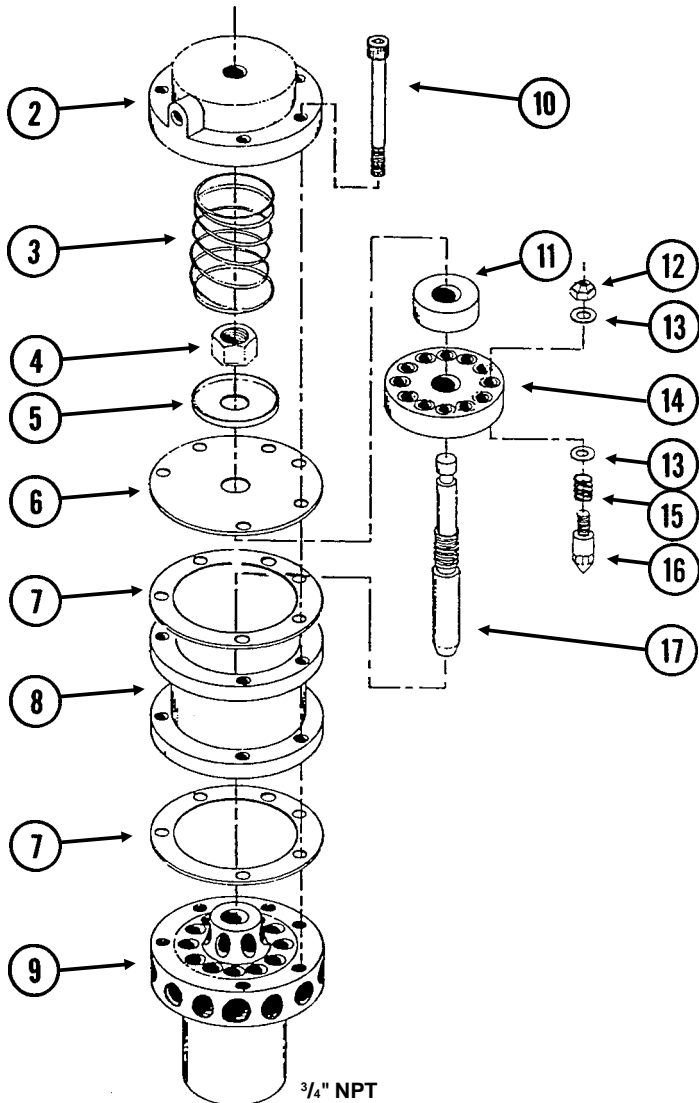
LIQUID FERTILIZER PISTON PUMP FLOW DIVIDER

(FRTZ159/PT40a/FRTZ202a)

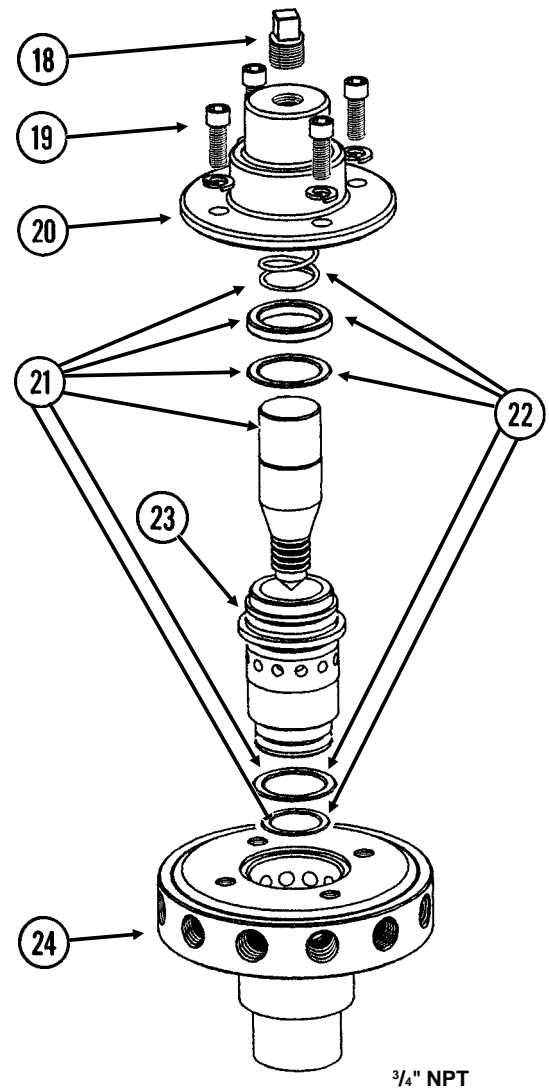
Model 70-12 Flow Divider



Model L-2190 Flow Divider



Model FD-1200 Flow Divider



LIQUID FERTILIZER PISTON PUMP FLOW DIVIDER

ITEM	PART NO.	QTY.	DESCRIPTION
1.	GR1388	1	Repair Kit, Includes: (2) Washers, (1) Piston, (1) O-Ring, (1) Piston Bolt, (1) Piston Ring
2.	GR1150	1	Cap
3.	GR1151	1	Spring
4.	G10358	1	Hex Nut, 9/16"-18
5.	GR1152	1	Plate
6.	GR1153	1	Diaphragm
8.	GR1154	1	Housing
7.	GR1155	2	Gasket
9.	*	1	Manifold
10.	GR1157	6	Socket Screw, 1/4"-20
11.	GR1158	1	Lock
12.	*	12	Valve Nut
13.	*	24	Stainless Steel Washer
14.	*	1	Disk
15.	*	12	Spring
16.	*	12	Valve
17.	GR1162	1	Plunger
18.	GR1543	1	Plug
19.	GR1542	4	Hex Socket Head Screw, 1/4"-20 x 3/4", Stainless Steel
	GR1541	4	Lock Washer, 1/4", Stainless Steel
20.	GR1540	1	Cap
21.	GR1544	1	Needle Assembly W/Seal Kit (Item 22)
22.	GR1545	1	Seal Kit, Includes: (3) O-Rings, (1) Seal, (1) Spring
23.	GR1535	1	Sleeve
24.	GR1533	1	Body
A.	GA8068	1	Liquid Fertilizer Piston Pump Flow Divider Complete, 12 Outlet (Model 70-12 Or Model L-2190)(Specify Model**)
B.	GA8931	1	Liquid Fertilizer Piston Pump Flow Divider Complete, 12 Outlet (Model FD-1200)

* Factory calibration required on Model L-2190. Replacement not recommended. Always be sure timing marks on disk and manifold line up.

** Specific model requests will be supplied only as available from current KINZE® stock. If a specific model requested is not in stock, the model available will be supplied.

SMV SIGN, DECALS, REFLECTORS AND TIE STRAPS



1



2

WARNING

AGRICULTURAL CHEMICALS CAN BE DANGEROUS. IMPROPER SELECTION OR USE CAN SERIOUSLY INJURE PERSONS, ANIMALS, PLANTS, SOIL OR OTHER PROPERTY. BE SAFE. SELECT THE RIGHT CHEMICAL FOR THE JOB. HANDLE WITH CARE. FOLLOW THE INSTRUCTIONS ON THE CONTAINER LABEL AND OF THE EQUIPMENT MANUFACTURER.

7100-115

3



4

DANGER

SERIOUS INJURY OR DEATH CAN RESULT FROM CONTACT WITH ELECTRICAL LINES. USE CARE TO AVOID CONTACT WITH ELECTRIC LINES WHEN MOVING OR OPERATING THIS MACHINE.

7100-117

5

ATTENTION

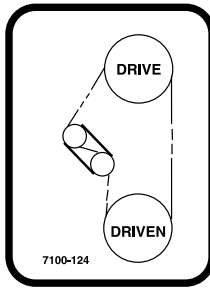
Connect directly to **BATTERY** whenever possible

Connect black lead to negative terminal

Connect to **12 Volts Only**

7100-123

6



7

USE 1 TABLESPOON POWDERED GRAPHITE WITH EACH HOPPER FILL OF SEED. SEED TREATMENT, FOREIGN MATERIAL, DIRT, OR SEED CHAFF MAY CAUSE GRADUAL REDUCTION OF SEED POPULATION. REFER TO MANUAL FOR MAINTENANCE AND CARE.

7100-153

8

Twin-Line

7100-177

9

IMPORTANT

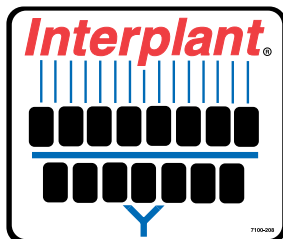
SEED METER ALIGNMENT TO DRIVE CLUTCH IS CRITICAL. REFER TO OPERATOR'S MANUAL FOR INSTRUCTIONS.

7100-248

10



11



12

13

NOTE

It is the responsibility of the user to read and understand the Operator's Manual in regards to safety, operation, lubrication and maintenance before operation of this equipment.

AN OPERATOR & PARTS MANUAL IS AVAILABLE FOR THIS MACHINE.

To obtain a manual, furnish model number and serial number and contact your KINZE Dealer or KINZE Manufacturing, Inc., P.O. Box 806 Williamsburg, IA 52361-0806 USA

WARNING

MAXIMUM INFLATION PRESSURE 75 PSI

7100-119

14

KINZE 3400

TORQUE 5/8" SPINDLE BOLTS TO 120 FT/LBS. CHECK PERIODICALLY AND RE-TORQUE AS NEEDED.

7100-234

16

15

WARNING

TO AVOID INJURY -- STAND CLEAR--KEEP OTHERS AWAY WHEN RAISING OR LOWERING MARKERS. BEFORE TRANSPORTING PLANTER FULLY EXTEND HYDRAULIC CYLINDERS AND INSTALL LOCKING PINS WHERE PROVIDED.

7100-42

17

WARNING

TO AVOID INJURY -- ALWAYS LOWER PLANTER UNITS TO THE GROUND BEFORE UNHITCHING PLANTER. TONGUE CAN RAISE SUDDENLY.

7100-43

18

WARNING

1. Read and understand the Operator's Manual.
2. Stop the tractor engine before leaving the operator's platform.
3. Keep riders off the machine.
4. Make certain everyone is clear of the machine before starting the tractor engine and operating.
5. Keep all shields in place.
6. Never lubricate, adjust, unclog or service the machine with tractor engine running.
7. Wait for all movement to stop before servicing.
8. Keep hands, feet and clothing away from moving parts.
9. Use flashing warning lights when operating on highways except when prohibited by law.

7100-46

19

CAUTION

SET DOWN PRESSURE SPRINGS TO MINIMUM. LOWER PLANTER TO GROUND AND EMPTY SEED HOPPERS. REQUIRES 90 LB MIN TO LIFT.

7100-246

20

CAUTION

REAR OF PLANTER SWINGS WIDE IN TURNS. ALWAYS ALLOW SUFFICIENT ROOM TO CLEAR OBSTACLES WHEN TURNING.

7100-63

22

WARNING

TOW ONLY WITH FARM TRACTOR

7100-56

21

WARNING

NEVER WALK UNDER OR WORK ON PLANTER WHEN IT IS RAISED WITHOUT SUPPORTING THE FRAMES WITH ADDITIONAL SUPPORTS.

7100-68

23

CAUTION

AVOID UNEVEN LOADING OF HOPPERS, ESPECIALLY DURING TRANSPORT

7100-75

24

WARNING

TO AVOID INJURY

ALWAYS USE HYDRAULIC CYLINDER SAFETY LOCKOUT CHANNELS WHEN TRANSPORTING PLANTER ON THE ROAD. AFTER USE RETURN TO STORAGE LOCATION.

7100-83

25

DANGER

THIS PLANTER IS DESIGNED TO BE DRIVEN BY GROUND TIRES ONLY. THE USE OF HYDRAULIC, ELECTRIC OR PTO DRIVES MAY CREATE SERIOUS SAFETY HAZARDS TO YOU AND THE PEOPLE NEARBY. IF YOU INSTALL SUCH DRIVES YOU MUST FOLLOW ALL APPROPRIATE SAFETY STANDARDS AND PRACTICES TO PROTECT YOU AND OTHERS NEAR THIS PLANTER FROM INJURY.

7100-89

26

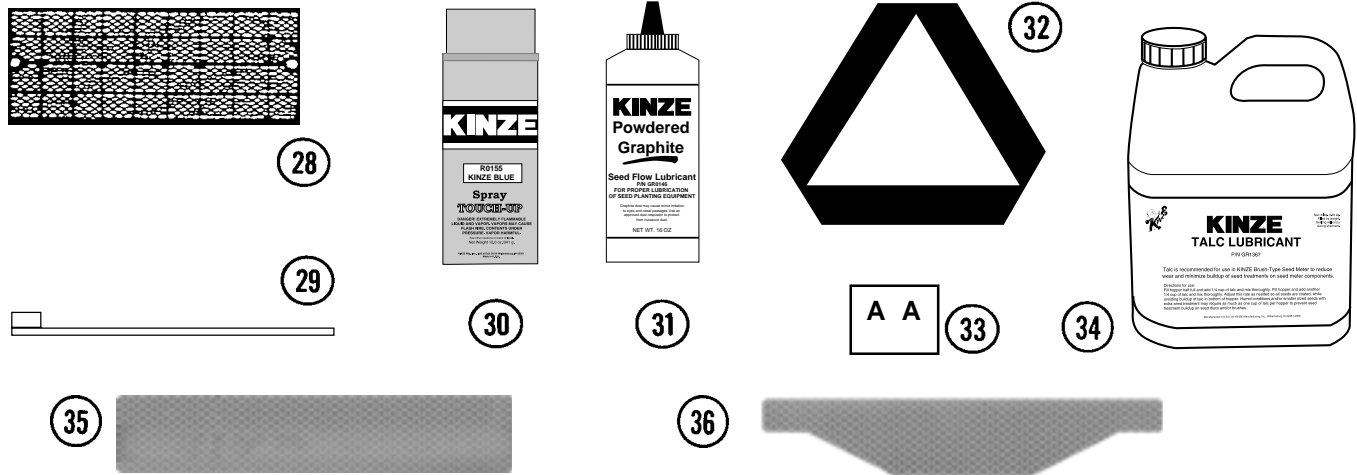
WARNING

THIS MACHINE HAS BEEN DESIGNED AND BUILT WITH YOUR SAFETY IN MIND. ANY ALTERATION TO THE DESIGN OR CONSTRUCTION MAY CREATE SAFETY HAZARDS. DO NOT MAKE ANY ALTERATIONS OR CHANGES TO THE EQUIPMENT, BUT IF ANY ALTERATIONS OR CHANGES ARE MADE YOU MUST FOLLOW ALL APPROPRIATE SAFETY STANDARDS AND PRACTICES TO PROTECT YOU AND OTHERS NEAR THIS MACHINE FROM INJURY.

7100-90

27

SMV SIGN, DECALS, REFLECTORS AND TIE STRAPS



ITEM	PART NO.	QTY.	DESCRIPTION
1.	G7100-110	-	Decal, Grease Weekly
2.	G7100-111	-	Decal, Oil Daily
3.	G7100-115	-	Decal, Warning (1 Per Granular Chemical Hopper)
4.	G7100-116	-	Decal, Grease Daily
5.	G7100-117	1	Decal, Danger
6.	G7100-123	1	Decal, Attention
7.	G7100-124	1	Decal, Transmission
8.	G7100-153	-	Decal, Information (1 Per Brush-Type Seed Meter)
9.	G7100-177	1	Decal, Twin-Line®, 3/4" x 3"
10.	G7100-248	-	Decal, Meter Alignment (1 Per Row Unit)
11.	G7100-247	-	Decal, Logo, 4 3/8" x 4 1/2" (Row Unit)
	G7100-252	-	Decal, Logo, 3 1/2" x 3 5/8" (Hopper Panel Extension)
12.	G7100-208	-	Decal, Interplant®
13.	G7100-217	1	Decal, Note
14.	G7100-219	4	Decal, Warning
15.	G7100-243	2	Decal, 3400
16.	G7100-234	-	Decal, Bolt Torque (Frame Mounted Coulters)
17.	G7100-42	4	Decal, Warning
18.	G7100-43	1	Decal, Warning
19.	G7100-46	1	Decal, Warning
20.	G7100-249	-	Decal, Caution (Interplant® Push Unit Lift Lever)
21.	G7100-56	1	Decal, Warning
22.	G7100-63	2	Decal, Caution
23.	G7100-68	4	Decal, Warning
24.	G7100-75	4	Decal, Caution
25.	G7100-83	4	Decal, Warning
26.	G7100-89	2	Decal, Danger
27.	G7100-90	1	Decal, Warning
28.	G7200-03	2	Reflector, Red
	G7200-04	2	Reflector, Amber
29.	GD1512	-	Tie Strap, 7 1/2"
	GD2117	-	Tie Strap, 14 1/2"
	GD1162	-	Tie Strap, 28"
	GD2984	-	Tie Strap, 34"

(Continued)

SMV SIGN, DECALS, REFLECTORS AND TIE STRAPS

ITEM	PART NO.	QTY.	DESCRIPTION
30.	GR0155	-	Blue Paint, Aerosol (Shown)
	GR0439	-	Blue Paint, Quart Can
	GR0440	-	Blue Paint, Gallon Can
31.	GR0146	-	Powdered Graphite, 1 Pound
32.	GD2199	1	SMV Sign
33.	GD10057-01	-	Hose Identification Sleeve, Red AA
	GD10057-02	-	Hose Identification Sleeve, Red BB
	GD10057-03	-	Hose Identification Sleeve, Blue AA
	GD10057-04	-	Hose Identification Sleeve, Blue BB
34.	GR1367	-	Talc Seed Lubricant, 8 Pounds
35.	G7100-258	-	Reflective Decal, Red, 1 1/2" x 9", Rectangular (If Applicable)
	G7100-259	-	Reflective Decal, Amber, 1 1/2" x 9", Rectangular (If Applicable)
	G7100-260	-	Reflective Decal, Orange, 1 1/2" x 9", Rectangular (If Applicable)
36.	G7100-261	-	Reflective Decal, Red, 1 3/4" x 9", Die-Cut (If Applicable)
	G7100-262	-	Reflective Decal, Amber, 1 3/4" x 9", Die-Cut (If Applicable)
	G7100-263	-	Reflective Decal, Orange, 1 3/4" x 9", Die-Cut (If Applicable)

NUMERICAL INDEX

Part No.	Page	Part No.	Page	Part No.	Page
A1021	P71	G10039	P23, P85	G10169	P33
A1079	P71	G10043	P33, P51, P81	G10171	P9
A1096	P71	G10043	P89	G10200	P33
A1113	P71	G10045	P25, P79	G10201	P3, P13, P17, P31
A1169	P71	G10046	P79	G10204	P5, P7, P79
A1192	P71	G10047	P51, P81	G10206	P27, P29, P85
A3123	P71	G10048	P37	G10207	P3
A3129	P71	G10049	P3	G10209	P18, P19, P33
A3158	P71	G10053	P47	G10210	P3, P9, P10, P11, P12, P13, P17, P31, P39, P43, P51, P79, P81, P85
A3206	P71	G10055	P29, P46	G10211	P12, P73, P75
A5458	P63	G10061	P12, P33	G10213	P5, P27, P29, P79
A6020	P59	G10063	P33	G10216	P7, P23, P31, P47, P77, P83
A7370	P46	G10064	P10, P38	G10217	P29, P33, P81, P85
A7606	P71	G10068	P29	G10219	P9, P46, P49, P81
A7607	P71	G10070	P45	G10221	P35
A7609	P71	G10072	P60	G10226	P53
A7610	P71	G10099	P51	G10227	P19, P33, P38, P39, P75
A8349	P33	G10100	P47, P60	G10228	P7, P25, P29, P39, P43, P45, P51, P53, P54, P77, P79 P81, P83, P84, P85
A8352	P38	G10101	P4, P11, P17, P19, P31, P33, P39, P47, P55, P56, P75, P79, P85	G10229	P4, P9, P10, P11, P17, P19, P31, P33, P37, P39, P43, P47, P51, P75, P79, P85
A8422	P17	G10102	P9, P25, P29, P39, P43, P45, P51, P53, P54, P77, P79, P81, P83, P84, P85	G10230	P4, P7, P11, P31, P35, P38, P43, P45, P47, P49, P51, P53, P79, P81, P83, P85, P87
A8467	P55	G10103	P19, P38, P39, P47, P75	G10231	P38, P43
A8496	P61	G10104	P4, P11, P29, P31, P35, 38, P47, P49 P51, P53, P79, P81 P83, P85, P87	G10232	P9, P33, P35, P46, P47, P49, P79, P81
A8744	P57	G10106	P9, P23, P29, P33, P35, P46, P47, P49, P81	G10233	P46, P49, P51, P77, P85
A8794	P57	G10107	P9, P10, P21, P23, P28, P29, P33, P45, P46, P47, P79, P85	G10235	P47, P85
A8836	P64	G10108	P3, P12, P17, P31 P61, P81, P89	G10252	P12
A8986	P56	G10109	P7, P9, P10, P25, P27, P41, P79	G10257	P18
A8988	P58	G10110	P19, P47	G10278	P83, P87
A8991	P62	G10111	P10, P21, P23, P25 P29, P47, P51, P79	G10284	P31
G10001	P4, P33, P39, P47	G10119	P33	G10292	P87
G10002	P17	G10128	P47	G10302	P12
G10003	P3, P9, P10, P85	G10130	P49, P77	G10303	P9, P46, P49
G10004	P31, P47, P75	G10133	P10, P25, P27, P79	G10304	P3
G10005	P38, P85	G10139	P43, P45	G10305	P20, P79
G10006	P9, P25, P33	G10148	P27	G10306	P19, P81
G10007	P5, P11, P43, P81	G10152	P9	G10307	P31
G10008	P28, P29, P45	G10157	P33	G10308	P20
G10009	P27	G10159	P53	G10309	P12
G10010	P7	G10168	P54	G10310	P19
G10012	P29			G10312	P3, P17, P39
G10013	P10, P81			G10315	P9, P10, P19
G10014	P7, P35, P81			G10318	P23, P45
G10015	P9			G10322	P53
G10016	P43, P47, P85				
G10017	P23, P45, P51, P83				
G10018	P7, P9				
G10019	P47, P79				
G10020	P14				
G10021	P14				
G10022	P14, P39, P75				
G10023	P17				
G10025	P38				
G10027	P43				
G10029	P33				
G10033	P25				
G10036	P21, P29				
G10038	P85				

NUMERICAL INDEX

Part No.	Page	Part No.	Page	Part No.	Page
G10323	P14	G10570	P18, P29	G10765	P27, P33
G10325	P17	G10573	P29	G10779	P43
G10326	P3	G10574	P21, P25, P29	G10801	P9, P10
G10328	P5	G10581	P29, P77	G10819	P84
G10338	P7	G10582	P29	G10821	P51
G10348	P25	G10584	P15	G10827	P64
G10358	P93	G10585	P23	G10844	P54
G10361	P39	G10591	P61, P62	G10862	P47
G10371	P25, P85	G10597	P23	G10864	P19
G10373	P41, P45	G10599	P11, P31	G10867	P51
G10376	P45	G10602	P12, P14, P15, P18	G10886	P81
G10394	P43		P47, P51, P85	G10887	P83
G10396	P33	G10603	P14, P15	G10888	P83
G10401	P14	G10604	P14	G10890	P46
G10409	P51	G10613	P87	G10896	P87
G10412	P4, P12, P31, P47	G10615	P87	G10898	P81
G10421	P47	G10616	P83	G10901	P83
G10427	P5, P9	G10619	P83, P87	G10912	P3, P31
G10430	P49	G10620	P3, P7, P12, P17, P39	G10917	P83
G10438	P3, P35, P81	G10621	P12, P14, P17, P20	G10918	P29
G10441	P33, P37, P43	G10622	P5, P20	G10921	P18
G10442	P33, P37, P43	G10623	P83	G10922	P13, P14, P15
G10445	P51	G10626	P83, P87	G10923	P49, P77
G10450	P81	G10628	P83	G10924	P7
G10451	P79	G10629	P87	G10932	P55, P56
G10452	P19	G10630	P83	G10934	P35
G10456	P31	G10633	P83	G10935	P33
G10457	P33	G10634	P15	G10936	P43
G10460	P43, P45, P51, P53	G10640	P21, P29, P38, P41	G10937	P39
	P55, P56		P51, P7	G10938	P79
G10463	P9, P31	G10641	P41, P53, P81	G10939	P55, P56, P61
G10464	P49	G10660	P18	G10940	P7
G10470	P14	G10669	P3	G10954	P39
G10476	P81	G10670	P17, P85	G10958	P56, P57, P62
G10478	P51	G10674	P83, P87	G10962	P64
G10485	P83	G10676	P83	G10967	P63
G10489	P3	G10680	P19	G10968	P77
G10496	P77	G10681	P79, P87	G10971	P46
G10499	P79	G10688	P89	G10974	P27
G10500	P14	G10690	P14	G10985	P3
G10501	P25, P47	G10693	P89	G10989	P13
G10503	P23, P47, P79	G10718	P31	G10994	P87
G10504	P79	G10722	P54	G10995	P87
G10521	P18	G10724	P54	G1K248	P73, P75
G10523	P19	G10725	P54	G1K249	P75
G10529	P20	G10732	P4, P31	G1K252	P73, P75
G10531	P15	G10733	P87	G1K253	P47
G10535	P77	G10734	P87	G1K267	P73, P75
G10536	P23, P41, P53	G10746	P47	G1K268	P73, P75
G10542	P79	G10747	P29	G1K269	P49, P77
G10544	P54	G10751	P12, P31, P47	G1K274	P68
G10545	P4	G10752	P12	G1K275	P68
G10546	P12	G10755	P41	G1K276	P68
G10546	P18	G10757	P19	G1K299	P33
G10551	P3	G10758	P19	G1K312	P12
G10567	P12, P18	G10760	P62	G1K313	P13

NUMERICAL INDEX

Part No.	Page	Part No.	Page	Part No.	Page
G1K320	P75	G7100-260	P96	GA4976	P83, P87
G1K321	P75	G7100-261	P96	GA4994	P33
G1K322	P75	G7100-262	P96	GA4995	P33
G1K322	P75	G7100-263	P96	GA5090	P46, P85
G2100-03	P46, P49	G7100-42	P95	GA5096	P63
G3303-114	P18	G7100-43	P95	GA5105	P46, P47
G3303-96	P31	G7100-46	P95	GA5106	P51
G3303-98	P3	G7100-56	P95	GA5107	P51, P77
G3305-01	P20	G7100-63	P95	GA5108	P51
G3310-101	P47	G7100-68	P95	GA5109	P51
G3310-160	P85	G7100-75	P95	GA5110	P51
G3310-328	P77	G7100-83	P95	GA5111	P51
G3310-80	P51	G7100-89	P95	GA5112	P51
G3310-83	P47	G7100-90	P95	GA5113	P51
G3310-93	P47	G7200-03	P95	GA5114	P47
G3400-01	P46, P49	G7200-04	P95	GA5116	P51, P85
G4200-01	P83	G7534X	P81	GA5146	P51
G4201-04	P83	G7566X	P11	GA5385	P73
G4205-03	P87	G7633X	P73	GA5459	P63
G4205-11	P83	GA0167	P54	GA5600	P75
G4301-06	P87	GA0243	P54	GA5622	P21, P29
G6325X	P4	GA0245	P54	GA5624	P51
G6400-06	P65, P66, P67, P71	GA0257	P54	GA5625	P21
G6400-06-04	P71	GA0312	P79	GA5629	P51
G6400-08	P55, P56, P65, P66, P67, P71	GA0328	P79	GA5630	P29
G6400-L-08	P71	GA0378	P49	GA5631	P28
G6408-06	P67	GA0705	P45	GA5635	P28
G6408-08	P55, P56, P66, P67	GA0810	P79	GA5636	P29
G6408-10	P67	GA0899	P54	GA5637	P29
G6408-H06-O	P65, P66, P67	GA1676	P54	GA5640	P21, P29
G6500-08	P71	GA1677	P54	GA5643	P29
G6502-08	P71	GA1678	P54	GA5651	P4
G6801-06	P71	GA1679	P54	GA5654	P23, P25, P27, P29, P81
G6801-06-08	P71	GA1720	P4, P31	GA5698	P15
G6801-08	P71	GA2007	P12	GA5699	P15
G7100-110	P95	GA2012L	P5	GA5715	P23
G7100-111	P95	GA2012R	P5	GA5718	P23
G7100-115	P95	GA2014	P5, P9, P23, P25, P27, P29, P79, P81	GA5719	P23
G7100-116	P95	GA2018	P14	GA5786	P31
G7100-117	P95	GA2019	P14	GA5787	P31
G7100-123	P95	GA2020	P14	GA5788	P31
G7100-124	P95	GA2054	P9	GA5794	P15
G7100-153	P95	GA2068	P47, P85	GA5795	P15
G7100-177	P95	GA2075	P19	GA5796	P15
G7100-208	P95	GA2094	P20	GA5798	P28
G7100-217	P95	GA2180	P47	GA5834	P15
G7100-219	P95	GA2528	P73	GA5965	P45
G7100-234	P95	GA2612	P73	GA5982	P15
G7100-243	P95	GA2660	P83	GA5987	P45
G7100-247	P95	GA3413	P69	GA5988	P45
G7100-248	P95	GA3584	P73	GA6027	P15
G7100-249	P95	GA3893	P87	GA6038	P15
G7100-252	P95	GA4235	P51	GA6108	P73
G7100-258	P96	GA4309	P59	GA6109	P73
G7100-259	P96	GA4444	P17	GA6147	P75
				GA6168	P15

NUMERICAL INDEX

Part No.	Page	Part No.	Page	Part No.	Page
GA6171	P7, P9, P10	GA7949	P7	GA8432	P73
GA6182	P15	GA7965	P3	GA8433	P73
GA6184	P15	GA7975	P7	GA8438	P83
GA6187	P15	GA7976	P7	GA8450	P49
GA6415	P85	GA8007	P81	GA8451	P49
GA6434	P10	GA8008	P81	GA8456A	P60
GA6478	P15	GA8026	P75	GA8456B	P60
GA6497	P38	GA8037	P31	GA8472	P53
GA6527	P87	GA8046	P75	GA8477	P47
GA6532	P53	GA8047	P73, P75	GA8483	P79
GA6597	P10	GA8068	P93	GA8484	P79
GA6618	P9	GA8069	P89	GA8486	P84
GA6619	P9	GA8080	P79, P81	GA8497	P61, P62
GA6620	P9	GA8081	P79, P81	GA8603	P21, P29
GA6633	P15	GA8082	P83	GA8641	P21, P29
GA6699	P73	GA8085	P83	GA8651	P31
GA6700	P73	GA8088	P83	GA8680	P75
GA6733	P9	GA8092	P77	GA8681	P75
GA6741	P19	GA8114	P83	GA8685	P79
GA6792	P38	GA8130	P55, P56	GA8729	P73
GA6801	P9	GA8170	P53	GA8731	P73
GA6832	P25	GA8172	P41	GA8734	P73
GA6833	P25	GA8180	P61	GA8745	P57
GA6834	P25	GA8181	P55	GA8760	P27
GA6838	P25	GA8304	P12	GA8762	P41
GA6907	P19	GA8322	P10	GA8764	P33
GA6966	P81	GA8324	P5	GA8765	P33
GA6975	P73	GA8328	P73	GA8789	P46
GA6977	P73	GA8329	P73	GA8795	P57
GA6978	P73	GA8343	P14	GA8835	P64
GA7016	P33	GA8348	P45	GA8837	P64
GA7022	P33	GA8350	P37	GA8845	P79
GA7067	P43	GA8351	P43	GA8876	P53
GA7077	P73	GA8353	P45	GA8882	P56
GA7096	P43	GA8354	P45	GA8896	P58
GA7154	P47, P77, P85	GA8356	P35	GA8930	P31
GA7179	P85	GA8357	P35	GA8931	P93
GA7180	P85	GA8362	P37	GA8952	P45
GA7255	P15	GA8363	P12	GA8983	P79, P81
GA7271	P27	GA8364	P18	GA8984	P56
GA7336	P51	GA8365	P12	GA8987	P56
GA7399	P73	GA8370	P13	GA8989	P58
GA7412	P27	GA8371	P17	GA8992	P62
GA7434	P45	GA8372	P41	GA9056	P45
GA7445	P27	GA8374	P43	GA9061	P39
GA7446	P25, P27	GA8382	P53	GA9062	P39
GA7574	P49	GA8383	P45	GA9063	P39
GA7853	P75	GA8398	P81	GA9064	P43
GA7854	P75	GA8399	P81	GA9096	P73
GA7855	P75	GA8402	P45	GA9139	P45
GA7856	P73, P75	GA8405	P45	GB0110	P14
GA7857	P75	GA8406	P69	GB0111	P14
GA7858	P75	GA8407	P53	GB0115	P18
GA7859	P75	GA8426	P47	GB0116	P18
GA7862	P73	GA8430	P73	GB0120	P14
GA7863	P73	GA8431	P73	GB0134	P79

NUMERICAL INDEX

Part No.	Page	Part No.	Page	Part No.	Page
GB0186	P4	GD1026	P3, P17, P31, P51, P81	GD11286	P14
GB0196	P29	GD10283	P54	GD11294	P57
GB0218	P4, P10, P12, P28, P31, P33, P47, P84	GD1033	P3	GD11297	P18
GB0227	P21, P29	GD1039	P14	GD1130	P3
GB0230	P35	GD1041	P14	GD11305	P12, P17
GB0234	P35	GD1042	P14	GD11306	P5, P79
GB0237	P33	GD10473	P5, P9	GD11311	P14
GB0239	P9, P10	GD10519	P27	GD11313	P11
GB0248	P81	GD10526	P27	GD1132	P23, P25, P27, P29, P79, P81
GB0249	P81	GD10532	P38	GD1134	P47, P83, P85
GB0250	P81	GD10552	P25, P27	GD11359	P39
GB0254	P10	GD1059L	P17	GD11362	P39
GB0265	P3	GD1059R	P17	GD11373	P14
GB0266	P3	GD1060	P17	GD11374	P15
GB0267	P3	GD1061	P18	GD1138	P79, P81
GB0268	P9, P10	GD1063	P18	GD11413	P12, P18
GB0270	P81	GD10646	P33	GD11422	P4
GB0274	P3	GD1065	P3	GD11423	P7
GB0276	P7	GD10733	P14	GD11424	P17
GB0278	P12, P18	GD10777	P83	GD11427	P41
GB0282	P10	GD10785	P45	GD11428	P41
GB0284	P3, P31	GD1083	P14	GD1143	P20
GB0285	P3	GD1085	P10	GD1144	P20
GB0286	P12, P31	GD1086	P7	GD11444	P41
GB0287	P51	GD10867	P3, P31	GD11445	P41
GD0453-08	P53	GD10958	P12	GD11447	P31
GD0487	P79	GD10963	P19	GD1145	P20
GD0652	P53	GD10984	P19	GD11453	P7
GD0740	P39	GD10986	P3	GD11454	P45
GD0746	P54	GD10991	P7	GD11456	P43
GD0752-41	P53	GD10993	P3	GD11459	P66
GD0840	P54	GD11001	P3	GD11460	P65
GD0914-204	P49	GD11017	P5	GD11461	P67
GD0914-206	P49	GD11045	P49, P77	GD11473	P35
GD0914-208	P77	GD11089	P73, P75	GD11489	P35, P53
GD0914-43	P49	GD1109	P9, P10, P29	GD11507	P37
GD0962	P79	GD11097	P81	GD11508	P11
GD10007	P85	GD11099	P81	GD11509	P11
GD10011	P43	GD11106	P81	GD11510	P33
GD10012	P43	GD11106	P81	GD11512	P37
GD10013	P43	GD11122	P15	GD11513	P57
GD10014	P43	GD11125	P47	GD11520	P55
GD10036	P4	GD1113	P4, P31, P38, P49, P51, P79, P81, P83, P87	GD11521	P55
GD10057-01	P96	GD11158	P47	GD11522	P55
GD10057-02	P96	GD1115L	P19	GD11528	P14
GD10057-03	P96	GD1115R	P19	GD11549	P49
GD10057-04	P96	GD1116	P19	GD11555	P39
GD10063	P33, P37, P43	GD1118	P19	GD11569	P77
GD10156	P85	GD11218	P31	GD11570	P61
GD10161	P51, P85	GD11219	P17	GD11571	P61
GD10165	P84	GD11235	P83	GD11572	P61
GD10206	P64	GD11239	P12, P18	GD11579	P55, P56
GD10207	P64	GD11240	P18	GD1162	P95
GD10226	P14	GD11259	P3	GD11649	P31
GD10243	P73	GD11263	P31	GD11652	P21, P29
		GD11264	P31		
		GD11279	P13		

NUMERICAL INDEX

Part No.	Page	Part No.	Page	Part No.	Page
GD11659	P31	GD3180-16	P51	GD8306	P77
GD11677	P21	GD3214	P53	GD8307	P23, P29
GD11698	P29	GD3612	P3	GD8460	P10
GD11700	P87	GD3622	P83	GD8532	P45
GD11705	P79	GD3623	P83	GD8739	P73
GD11747	P13	GD3860	P73	GD8740	P73
GD11751	P41	GD3951	P83	GD8741	P73
GD11752	P31	GD4086	P71	GD8751	P75
GD11763	P57	GD4632	P63	GD8770	P75
GD11787	P14	GD5154	P33	GD8771	P75
GD11835	P57	GD5752	P46, P85	GD8778	P15
GD11845	P3, P5, P9	GD5753	P46, P85	GD8843	P21, P29
GD1196	P17, P3, P31	GD5797	P85	GD8844	P21, P29
GD11993	P75	GD5835	P51	GD8893-01	P31
GD12534	P25	GD5857	P25, P33, P47, P51, P85	GD9052	P38
GD12548	P56	GD5860	P47	GD9093	P35
GD1255	P49	GD5875	P39	GD9120	P10
GD1256	P49	GD5949	P63	GD9130	P43
GD12567	P45	GD6291	P73, P75	GD9229	P77
GD12585	P56	GD6501	P14	GD9254	P21, P29
GD12600	P56	GD6551	P51	GD9290	P9
GD12602	P56	GD6825-10.25	P46	GD9305	P9
GD12606	P58	GD6825-11.375	P46	GD9509	P45
GD12610	P62	GD7120	P59	GD9529	P68, P73
GD12614	P62	GD7122	P59	GD9530	P68, P73
GD12615	P62	GD7124	P59	GD9562	P9
GD12703	P39	GD7127	P51	GD9636	P43
GD12704	P45	GD7137	P33	GD9695	P31
GD12710	P39	GD7148	P18	GD9715	P25
GD12726	P73	GD7258	P18	GD9720	P25
GD12790	P56	GD7318	P3	GD9724	P25, P27
GD1512	P95	GD7426	P51	GD9896	P73
GD1529	P45	GD7803	P21, P29	GD9908	P81
GD1536	P45	GD7804	P21, P29	GD9934	P81
GD1657	P79	GD7805	P4, P12, P23, P28, P29, P31, P43, P45, P47, P81, P84	GR0146	P96
GD1673	P79			GR0150	P54
GD1719	P49			GR0151	P54
GD1755	P15	GD7811	P29	GR0155	P96
GD1862	P83	GD7815	P28	GR0170	P60
GD2117	P75, P95	GD7816	P29	GR0193	P60
GD2161	P53	GD7817-01	P23, P29	GR0196	P3, P18, P31
GD2169	P43	GD7817-04	P23, P29	GR0257	P45
GD2199	P96	GD7817-05	P81	GR0322	P45
GD2423	P19	GD7817-09	P29	GR0439	P96
GD2460	P20	GD7818	P29, P81	GR0440	P96
GD2558	P47, P51	GD7822	P51	GR0513	P83
GD2589	P79	GD7823	P23, P29	GR0515	P33
GD2597	P54	GD7831	P29	GR0516	P33
GD2721	P53	GD7867	P51	GR0517	P33
GD2734-01	P51	GD7878	P15	GR0586	P75
GD2829	P73	GD7889	P23	GR0664	P14
GD2947	P19	GD7890	P23	GR0716	P60
GD2971-09	P33	GD7904-04	P85	GR0761	P68
GD2971-10	P17	GD8237	P15	GR0763	P68
GD2984	P95	GD8249	P4	GR0764	P68, P69
GD3180-12	P9	GD8260	P33	GR0880	P87

NUMERICAL INDEX

Part No.	Page	Part No.	Page	Part No.	Page
GR0881	P87	GR1327	P14	GR1501	P60
GR0882	P87	GR1363	P73	GR1502	P60
GR0883	P87	GR1364	P73	GR1503	P60
GR0911	P47	GR1367	P96	GR1504	P60
GR0912	P47, P51, P77, P85	GR1388	P93	GR1526	P62
GR0927	P63	GR1389	P89	GR1533	P93
GR0983	P55	GR1390	P75	GR1535	P93
GR0986	P61	GR1391	P75	GR1540	P93
GR0999	P59	GR1392	P75	GR1541	P93
GR1001	P59	GR1392	P75	GR1542	P93
GR1005	P83	GR1393	P75	GR1543	P93
GR1006	P83	GR1401	P55, P56	GR1544	P93
GR1015	P83, P87	GR1405	P77	GR1545	P93
GR1016	P83, P87	GR1406	P77	GR1548	P56
GR1017	P83, P87	GR1407	P77	GR1549	P58
GR1018	P83, P87	GR1408	P77	R1474	P60
GR1019	P83, P87	GR1409	P77	R1500	P60
GR1037	P55, P56, P65, P66, P67, P71	GR1410	P77		
GR1045	P65, P66, P67, P71	GR1411	P77		
GR1114	P89	GR1412	P77		
GR1116	P89	GR1413	P77		
GR1118	P89	GR1420	P89		
GR1122	P85	GR1421	P89		
GR1129	P91	GR1422	P91		
GR1130	P91	GR1423	P91		
GR1133	P91	GR1424	P89		
GR1134	P91	GR1425	P89, P91		
GR1142	P91	GR1427	P89		
GR1144	P91	GR1435	P83		
GR1150	P93	GR1451	P91		
GR1151	P93	GR1453	P55		
GR1152	P93	GR1454	P55		
GR1153	P93	GR1461	P75		
GR1154	P93	GR1462	P61, P62		
GR1155	P93	GR1463	P61		
GR1157	P93	GR1464	P61		
GR1158	P93	GR1465	P71		
GR1162	P93	GR1466	P67		
GR1165	P89	GR1468	P69		
GR1167	P89	GR1469	P60		
GR1168	P89	GR1470	P60		
GR1169	P58	GR1471	P60		
GR1183	P55	GR1472	P60		
GR1203	P73	GR1473	P60		
GR1204	P73	GR1475	P60		
GR1205	P73	GR1476	P60		
GR1206	P73	GR1477	P60		
GR1207	P73	GR1478	P60		
GR1208	P73	GR1479	P60		
GR1287	P55	GR1487	P14		
GR1290	P73	GR1494	P60		
GR1292	P73	GR1495	P60		
GR1309	P64	GR1496	P57		
GR1321	P68	GR1497	P60		
GR1322	P68	GR1498	P60		
		GR1499	P60		

NUMERICAL INDEX

Part No.	Page	Part No.	Page	Part No.	Page