

ACCESSORIES



SPARE PARTS

Page No	A	1
Date	02 10 30	

Instr. No.	
Replacing	
Design	TTH

3-POINT LINKAGE

3-PUNKTSFÄSTE-ATTELAGE 3 POINTS

3-PUNKTFANGRAHMEN

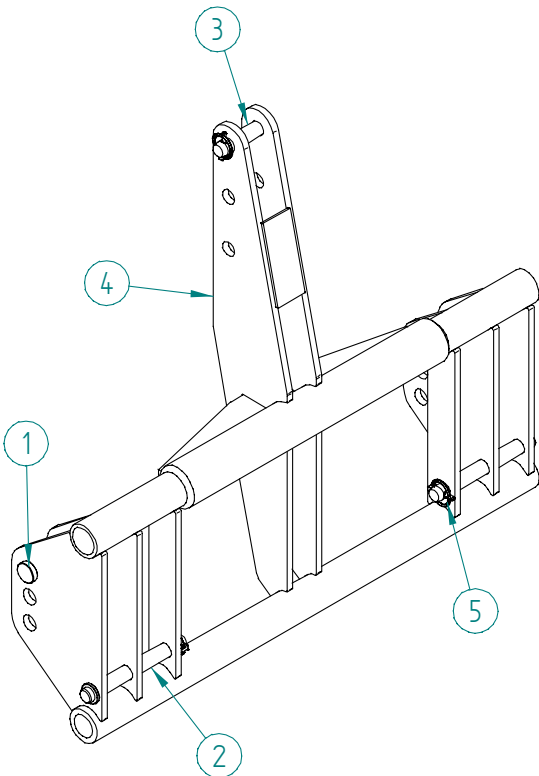
5= SMS, 8= EURO

Set - Part No.
20529344(5)
11251438(8)

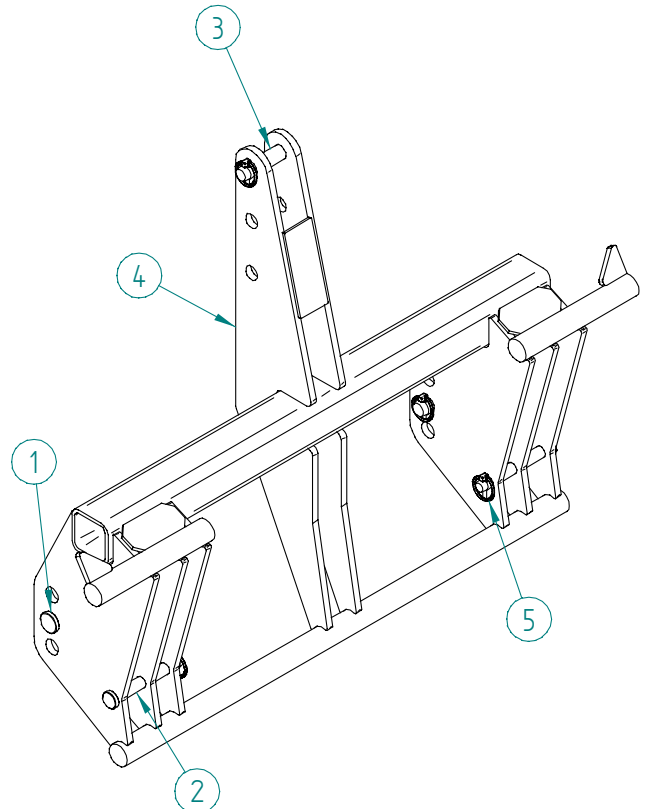
Item Pos. Repère Teil	Part No. Best nr. Référence Bestell.Nr.	ENGLISH	SVENSKA	FRANÇAIS	DEUTSCH	Quantity Antal Nombre Anzahl
-----------------------	---	---------	---------	----------	---------	------------------------------

						20529344 (5)	11251438 (8)
1	20525675 20525702	Cotterbolt Cotterbolt	Låstapp Låstapp	Boulon prisonner Boulon prisonner	Sperrbolzen Sperrbolzen	SMS (5) EURO (8)	2 2
2	20525676 20525703	Cotterbolt Cotterbolt	Låstapp Låstapp	Boulon prisonner Boulon prisonner	Sperrbolzen Sperrbolzen	SMS (5) EURO (8)	2 2
3	20525677	Cotterbolt	Låstapp	Boulon prisonner	Sperrbolzen	SMS (5), EURO (8)	1 1
4	20540360 20540363	Frame Frame	Ram Ram	Cadre Cadre	Rahmen Rahmen	SMS (5) EURO (8)	1 1
5	20725101	Linch Pin	Fjäderlås-pinne	Goupille á anneau	Klappstecker	SMS (5), EURO (8)	5 5

20529344 (5)



11251438 (8)





SPARE PARTS

COUNTERWEIGHT 1000Kg

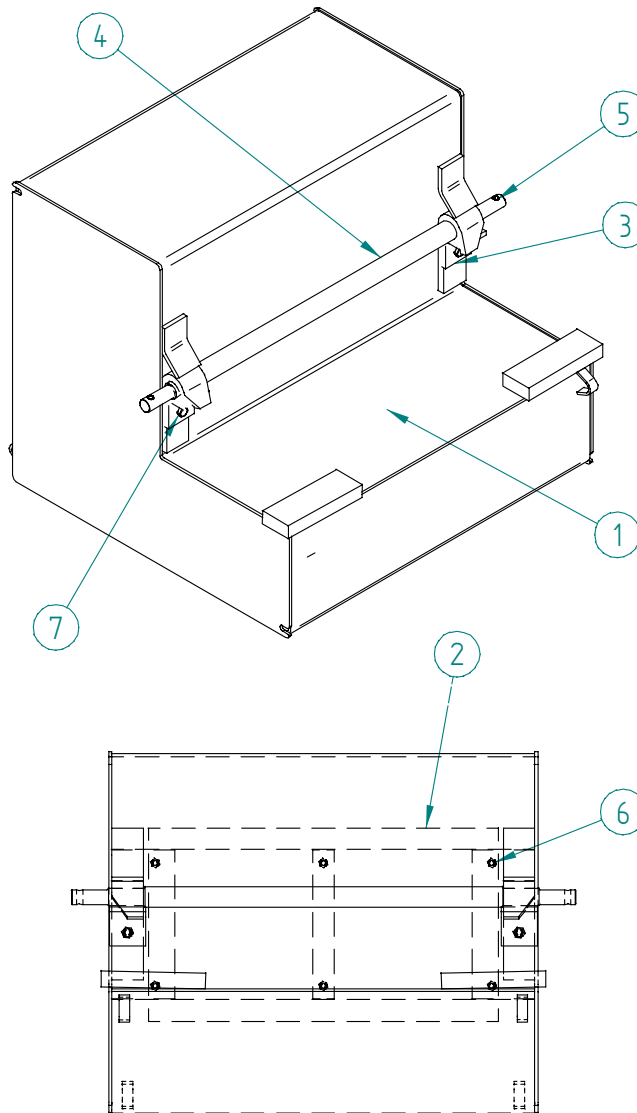
MOTVIKT - CAISSE CONTREPOIDS -
GEGENGEWICHT

Page No	A	1
Date	02 10 30	

Set - Part No.
11251380
11251381

Instr. No.
Replacing
Design TTH

Item Pos. Repère Teil	Part No. Best nr. Référence Bestell.Nr.	ENGLISH	SVENSKA	FRANÇAIS	DEUTSCH	Quantity Antal Nombre Anzahl
	11251380	Filled	Fylld	Remplie	Gefüllt	1000 kg
	11251381	Empty	Tom	Vide	Leer	125 kg
1	11260362	Box	Låda		Kiste	1
2	1202037	Plate	Platta	Plaque	Platte	1
3	11260369	Stop Piece	Stopp	Anschlag	Butée d'arrêt	2
4	1202042	Rod	Stång	Barre	Stange	1
5	1102001	Linch Pin	Fjäderlås-pinne	Goupille à anneau	Klappstecker	2
6	5002076	Screw	Skruv	Vis	Schraube	M6S 10x20 6
7	5002101	Screw	Skruv	Vis	Schraube	M6S 12x25 2





SPARE PARTS

Page No

A1

Date

021031

Instr. No.

Replacing

Designer

TTH

CLIC SAFETY DEVICE KIT EURO TOOL CARRIERS

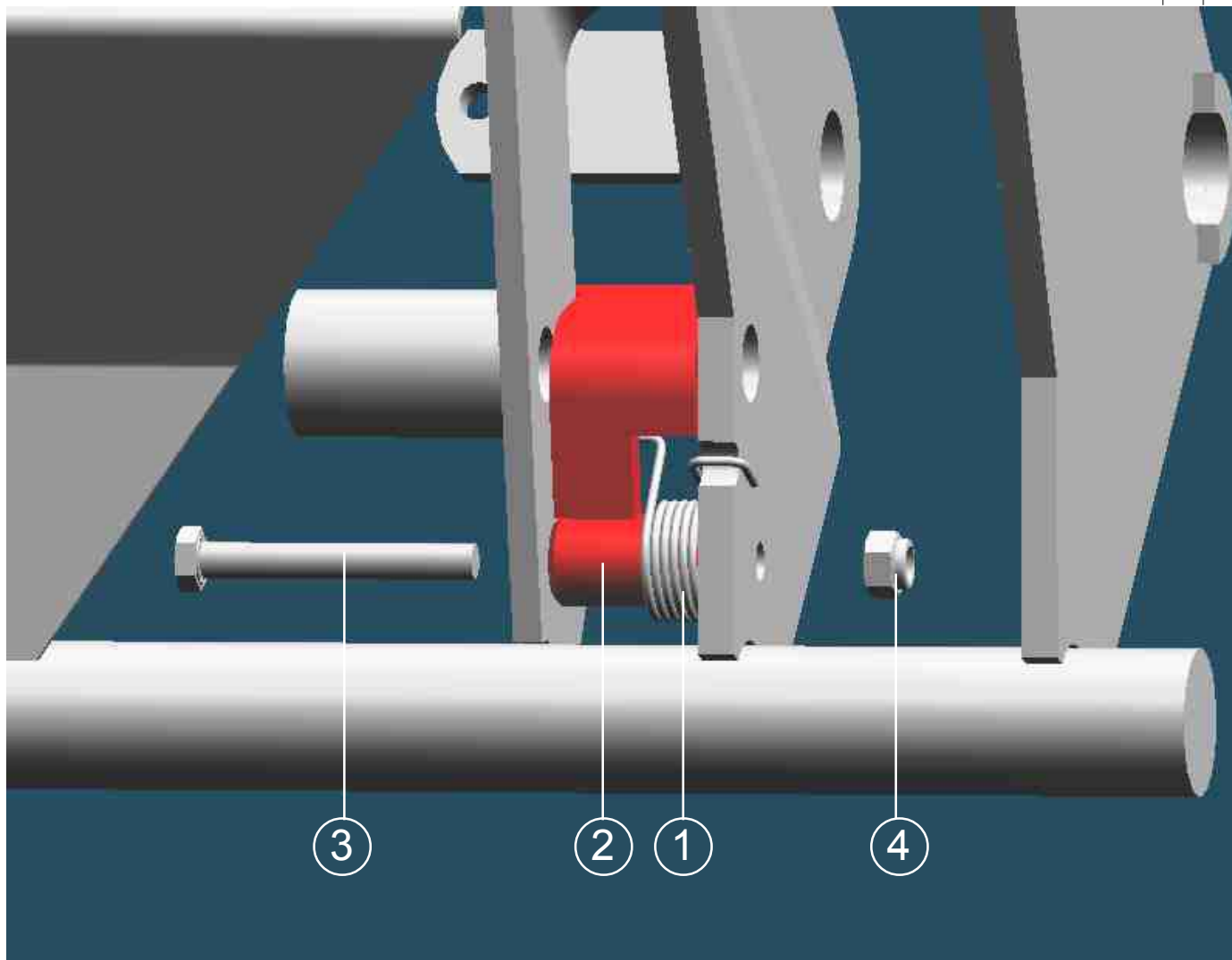
Part No.

5201202**5201203**

Item Pos. Repère Teil	Part No. Best nr. Référence Bestell.Nr.	ENGLISH	SVENSKA	FRANÇAIS	DEUTSCH	Quantity Antal Nombre Anzahl
--------------------------------	--	---------	---------	----------	---------	---------------------------------------

5201202 Tool carrier Euro (246741) Loader 710 - 760; 910 - 950 MY 2002 and up
5201203 Tool carrier Euro (246751) Loader 770; 960 -980 MY 2002 and up

							5201202	5201203
1	5201169	CLIC left	Spärr vänster	Cliquet gauche	Sperre links	(shown in picture)		1
	5201171	CLIC right	Spärr höger	Cliquet droit	Sperre rechts			1
	5201164	CLIC left	Spärr vänster	Cliquet gauche	Sperre links	(shown in picture)	1	
	5201165	CLIC right	Spärr höger	Cliquet droit	Sperre rechts		1	
2	5021907	Spring left	Fjäder vänster	Ressort	Feder	(shown in picture)	1	1
	5021906	Spring right	Fjäder höger	Ressort	Feder		1	1
3	5002914	Screw	Skruv	Vis	Schraube	M6S 10x90	2	
	5004079	Screw	Skruv	Vis	Schraube	M6S 10x75		2
4	5011554	Nut	Mutter	Écrou	Mutter	M6M 10 Loc king	2	2



MOUNTING INSTRUCTIONS
Monteringsanvisning
Instructions de montage
Anbauanleitung - Asennusohje

SELECTO

Instr. No. **21 55 009**

Date **010322**

Repl.

Design RR | Edt A

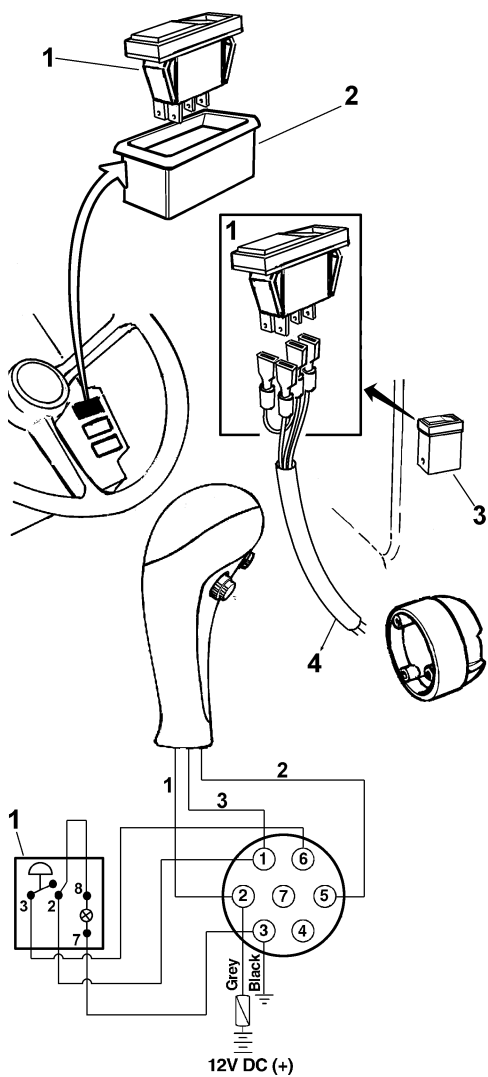
SAFETY SWITCH
Säkerhetsbrytare

System

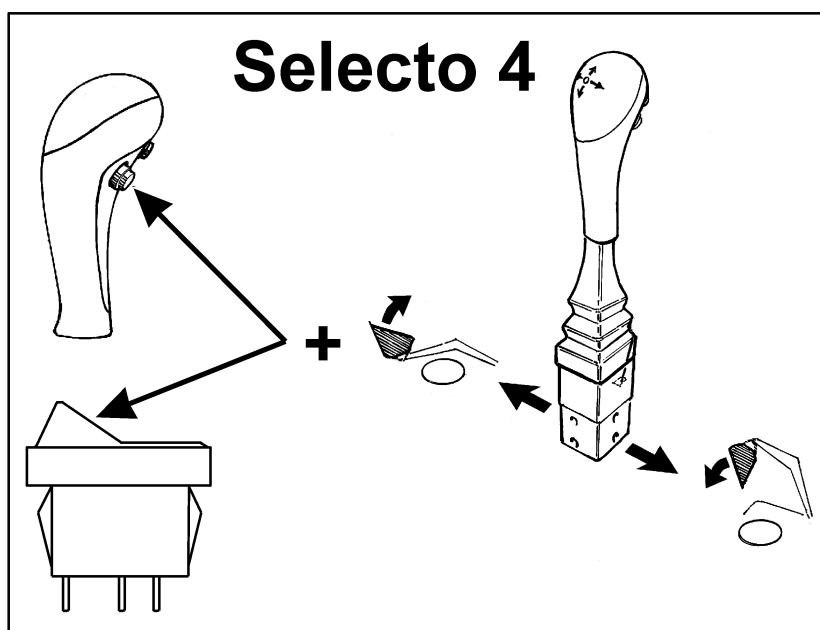
Set No.

52 01 088

52 01 088 SAFETY SWITCH / SÄKERHETSBRYTARE			
1	51 03 006	Switch	Strömbrytare
2	51 03 005	Switch Frame	Monteringspanel
3	52 01 086	Switch Support	Brytarhållare
4	51 02 008	Cable	Kablage
5	50 33 621	Strap	Buntband



M 5201088





SPARE PARTS

Page No **A1**

Date 021104

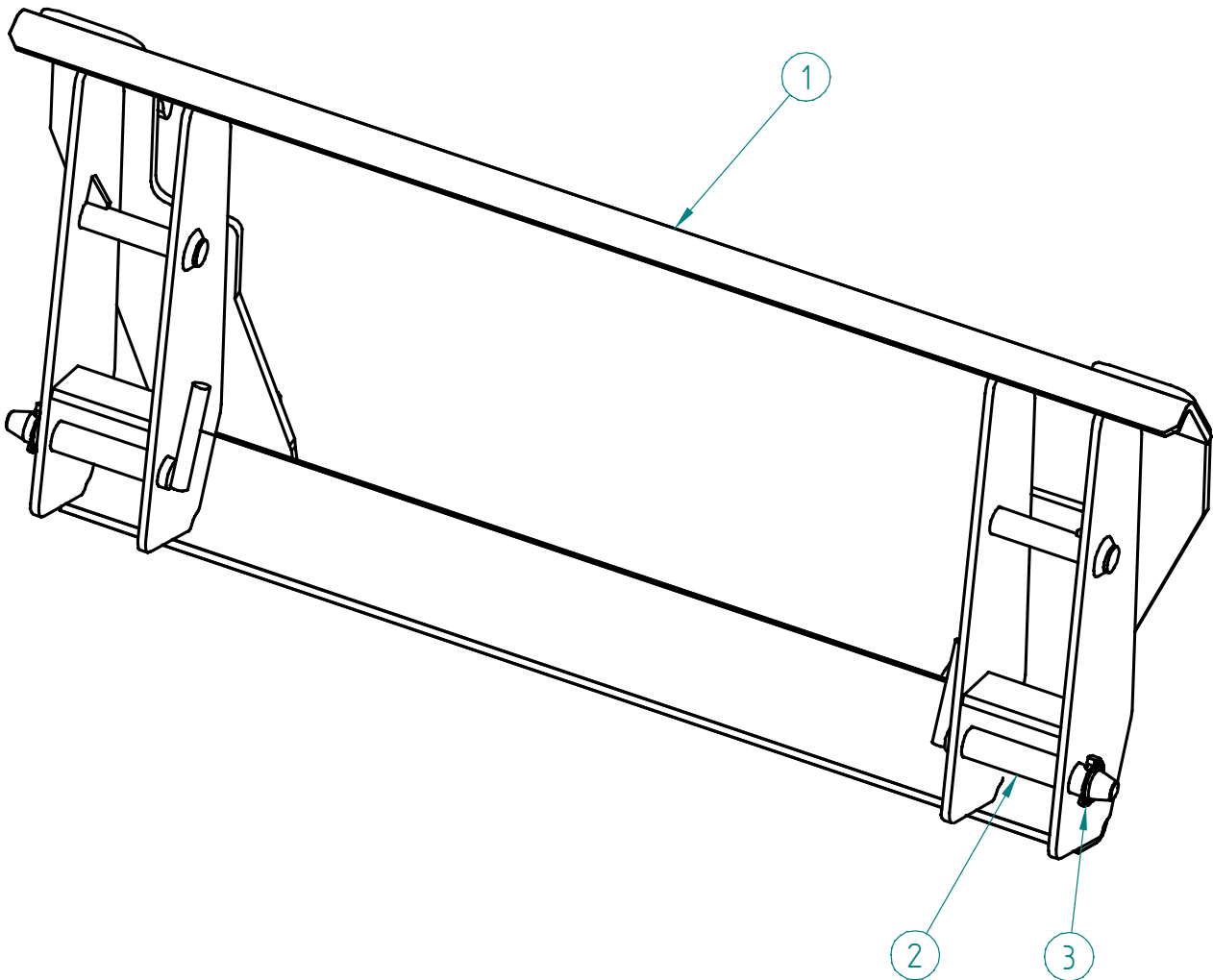
Instr. No.
Replacing
Designer **TTH**

ADAPTOR EURO TOOL CARRIER TYPE 3 IMPLEMENTS

Part No.
5201251

Item Pos. Repère Teil	Part No. Best nr. Référence Bestell.Nr.	ENGLISH	SVENSKA	FRANÇAIS	DEUTSCH	Quantity Antal Nombre Anzahl
-----------------------	---	---------	---------	----------	---------	------------------------------

1	5201252	Frame	Ram	Cadre	Rahmen	(8 - 3)	1
2	1116588	Latch Bolt	Låstapp	Boulon de verrouillage	Sperrbolzen		2
3	1102001	Linch Pin	Fjäderlås-pinne	Goupille à anneau	Klappstecker		2





SPARE PARTS

ADAPTOR EURO TOOL CARRIER VALTRA, VOLVO BM (small) IMPLEMENTS

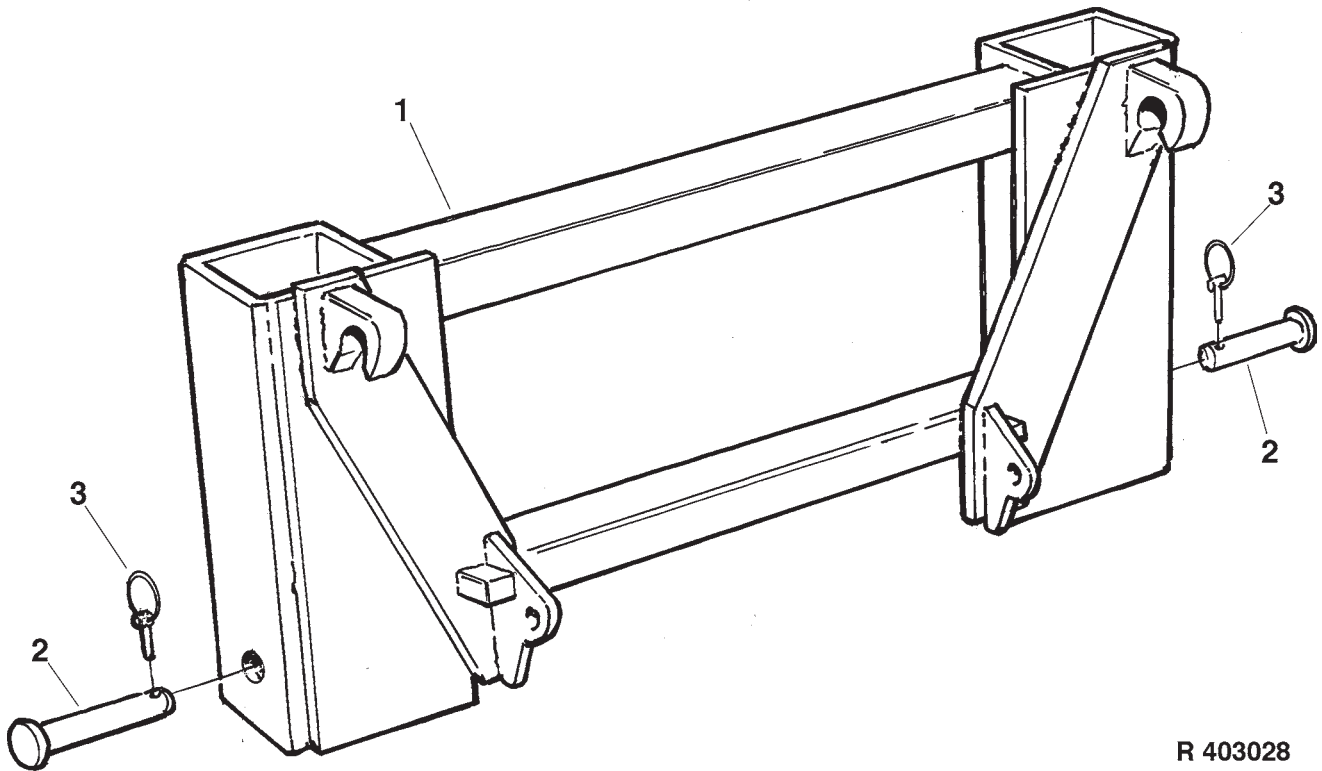
Page No	A1
Date	021104

Instr. No.	
Replacing	830581
Designer	TTH

Part No.	10830581
----------	-----------------

Item Pos. Repère Teil	Part No. Best nr. Référence Bestell.Nr.	ENGLISH	SVENSKA	FRANÇAIS	DEUTSCH	Quantity Antal Nombre Anzahl
--------------------------------	--	---------	---------	----------	---------	---------------------------------------

1	830582	Frame	Ram	Cadre	Rahmen	(8 - 6)	1
2	830347	Latch Bolt	Låstapp	Boulon de verrouillage	Sperrbolzen		2
3	1102001	Linch Pin	Fjäderlås-pinne	Goupille à anneau	Klappstecker		2



R 403028



SPARE PARTS

ADAPTOR EURO TOOL CARRIER MAILLEUX IMPLEMENTS

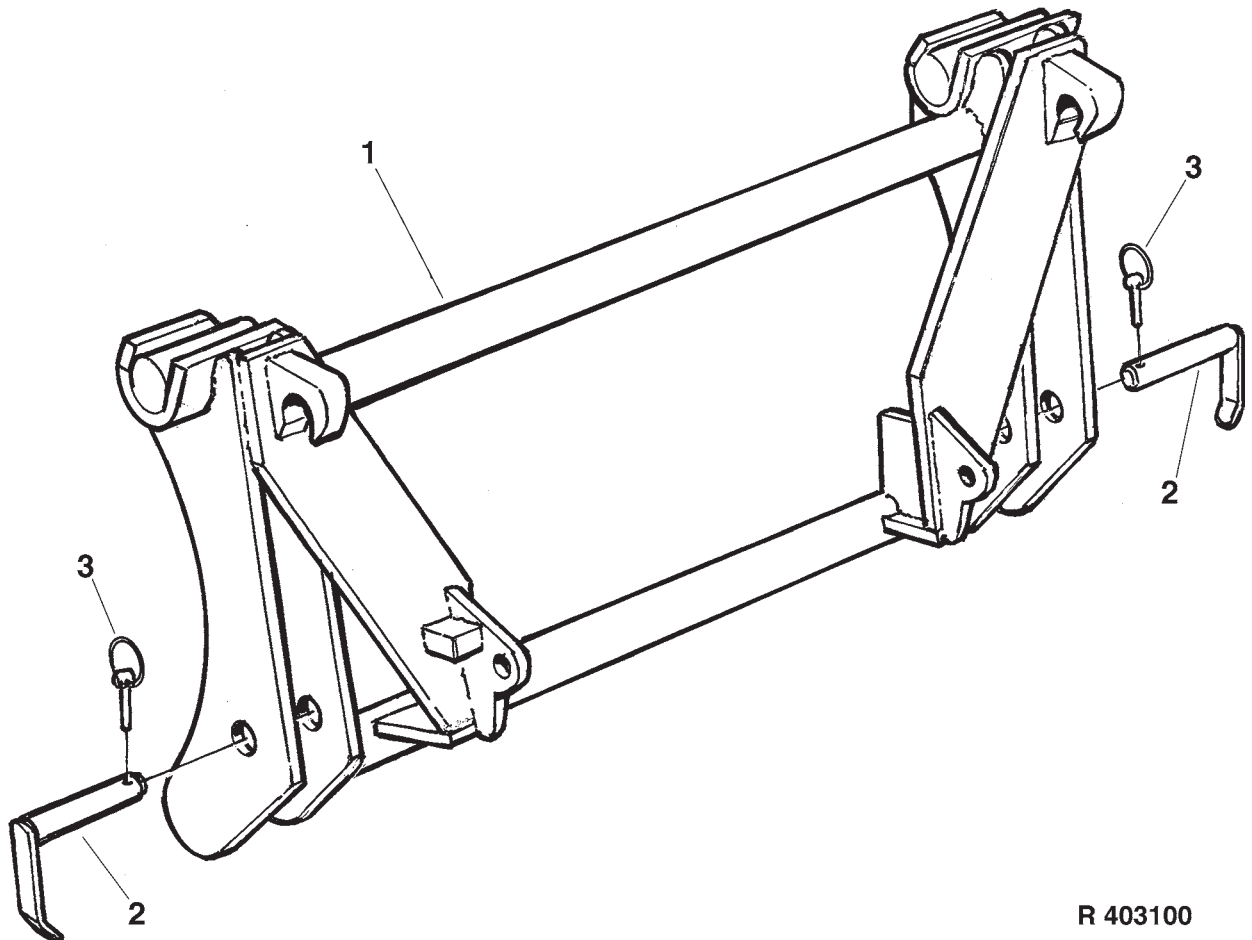
Page No. **A1**
Date 021104

Instr. No.
Replacing **830585**
Designer **TTH**

Part No.
10830585

Item Pos. Repère Teil	Part No. Best nr. Référence Bestell.Nr.	ENGLISH	SVENSKA	FRANÇAIS	DEUTSCH	Quantity Antal Nombre Anzahl
--------------------------------	--	---------	---------	----------	---------	---------------------------------------

1	830586	Frame	Ram	Cadre	Rahmen	(8 - 12)	1
2	1116681	Latch Bolt	Låstapp	Boulon de verrouillage	Sperrbolzen		2
3	1102001	Linch Pin	Fjäderlås-pinne	Goupille à anneau	Klappstecker		2



R 403100