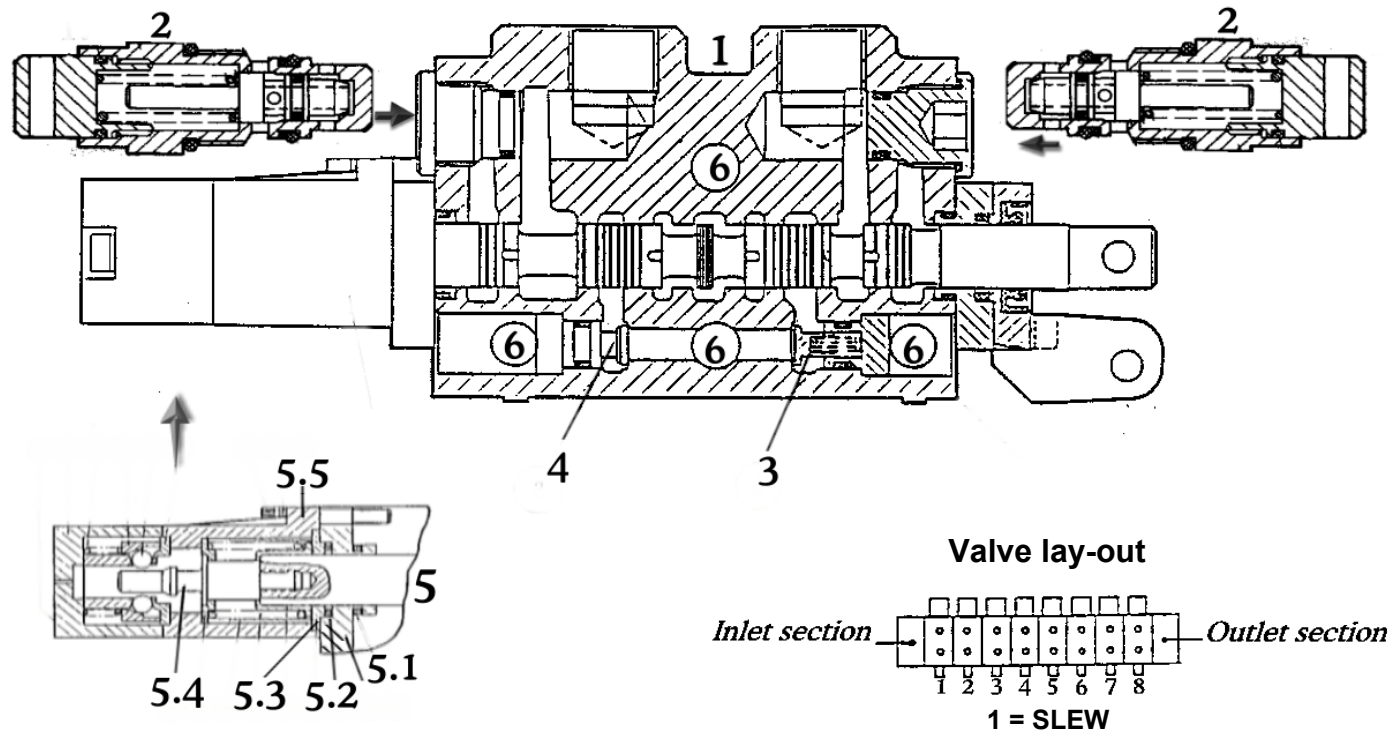
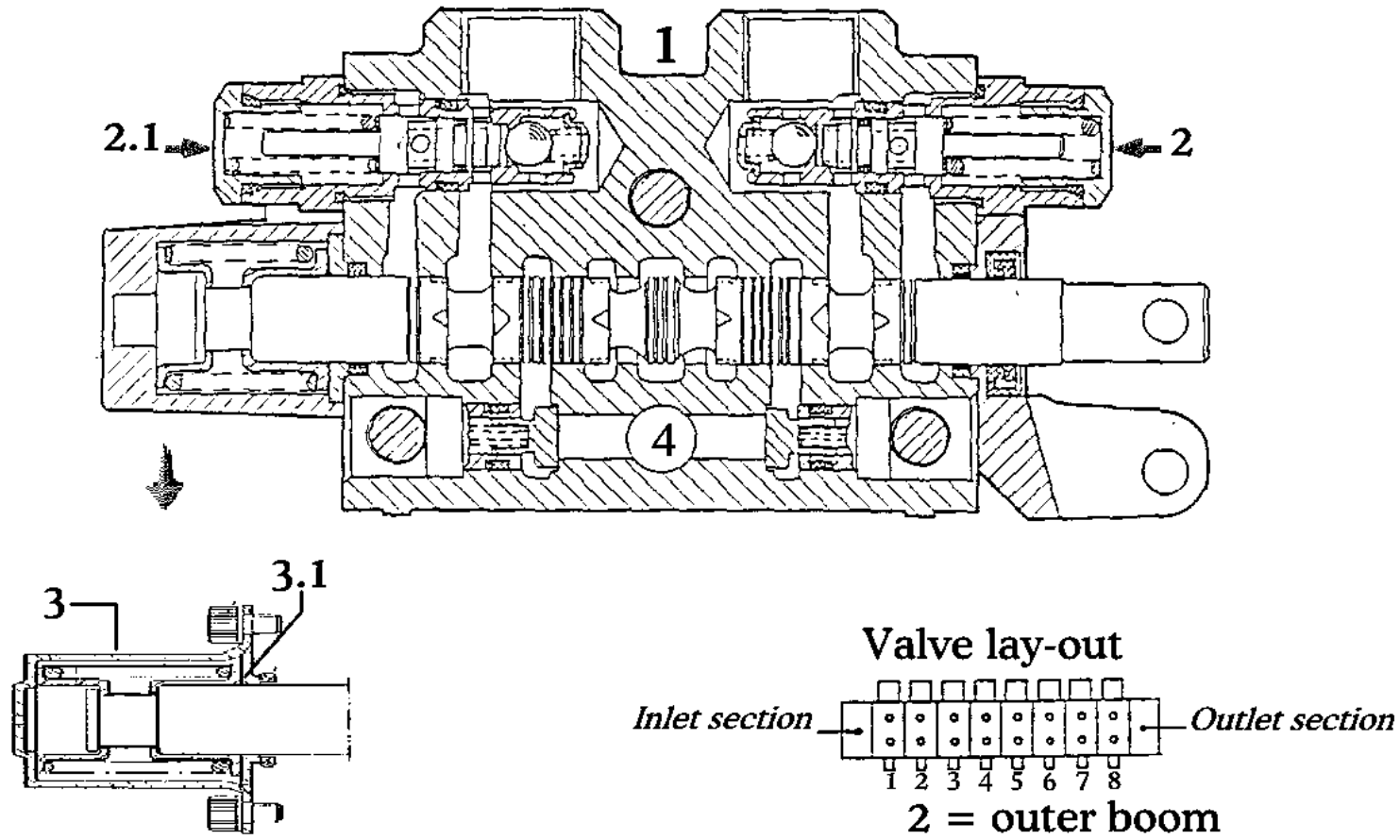


Valve lay-out

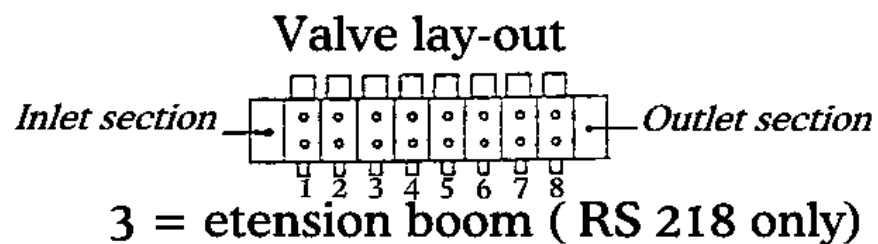
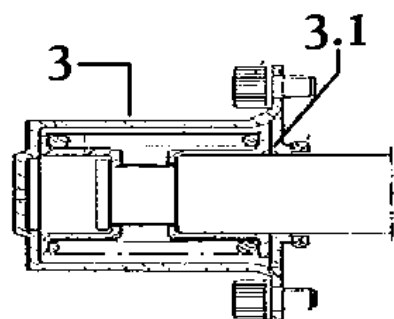
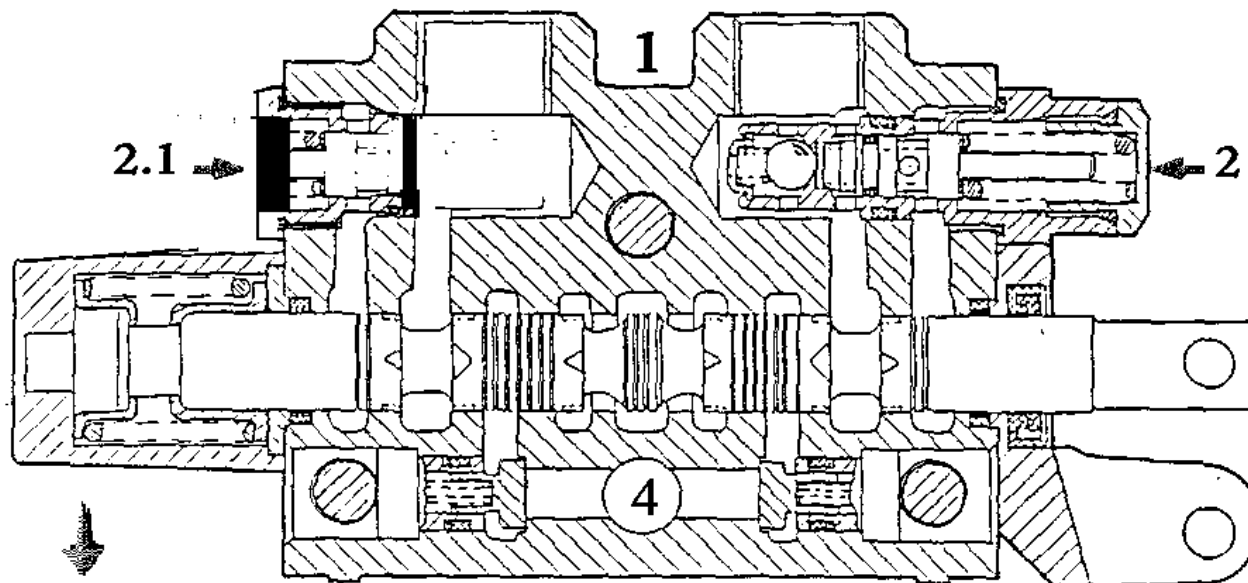
Pos.	Spare part #	Description
1.	N2330-260982	Inlet section
2.	N2330-210204	Main relief valve 175 bar
3.	N2330-450059	Port plug R $\frac{1}{2}$ " BSP
4.	N2330-260584	O-ring set between sections



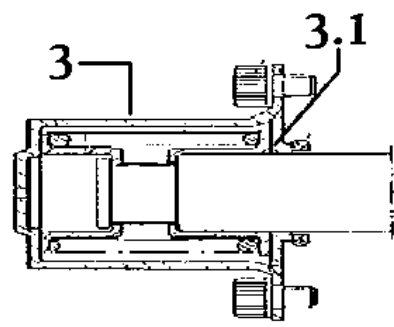
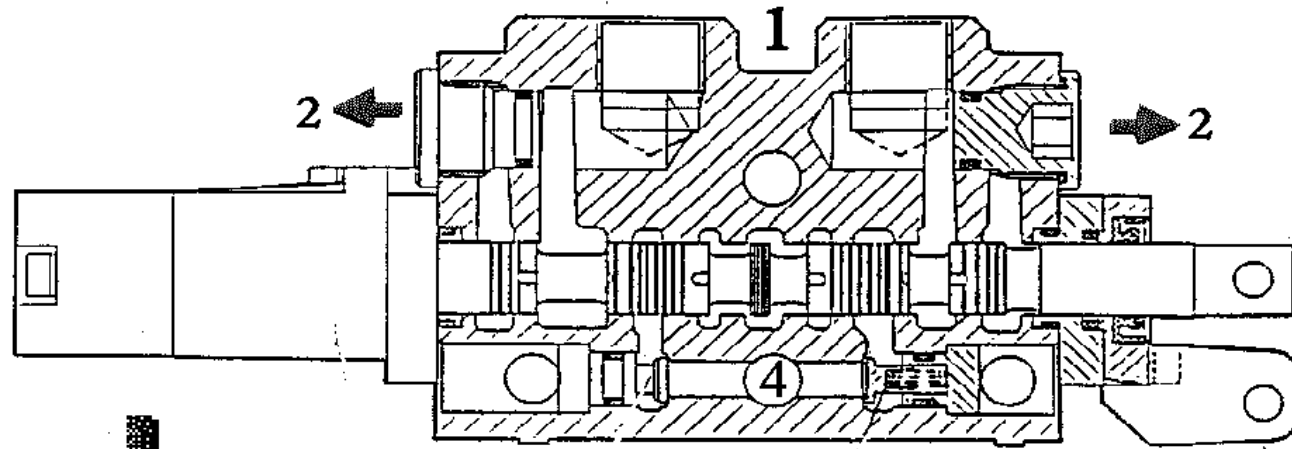
Pos.	Spare part #	Description
1.	N2330-260987	Float section assembly
2.	N2330-210261***	Relief cartridge (function and pressure to be specified when ordering or to be adjusted ) 150 bar
3.	N2330-220188	Check valve B side
4.	N2330-220085	Check valve A side
5.	N2330-266115	Spool control assembly
5.1	N2330-266948	Spacing piece
5.2	N2330-260552	Spool seal ( kit )
5.3	N2330-266978	Washer
5.4	N2330-266099	Detent
5.5	N2330-267027	Cap
6	N2330-260584	O-ring set between sections



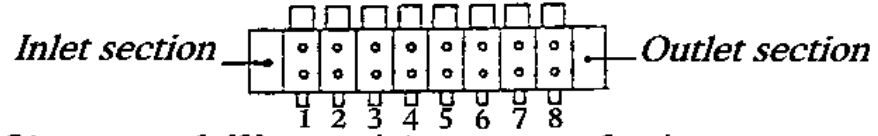
Pos.	Spare part #	Description
1.	N2330-263165	Double acting valve section
2.	N2330-210261***	Relief cartridge ***(function and pressure to be specified when ordering or to be adjusted ) 240 bar
2.1	N2330-210261***	Relief cartridge ***(function and pressure to be specified when ordering or to be adjusted ) 140 bar
3.	N2330-260944	Spool control assembly
3.1	N2330-266115	Spool seal ( kit )
4.	N2330-260584	O-ring set between sections



Pos.	Spare part #	Description
1.	N2330-263165	Double acting valve section
2.	N2330-210261***	Relief cartridge ***(function and pressure to be specified when ordering or to be adjusted ) 80 bar
2.1		Plug ( port relief not used )
3.	N2330-260944	Spool control assembly
3.1	N2330-266115	Spool seal ( kit )
4.	N2330-260584	O-ring set between sections

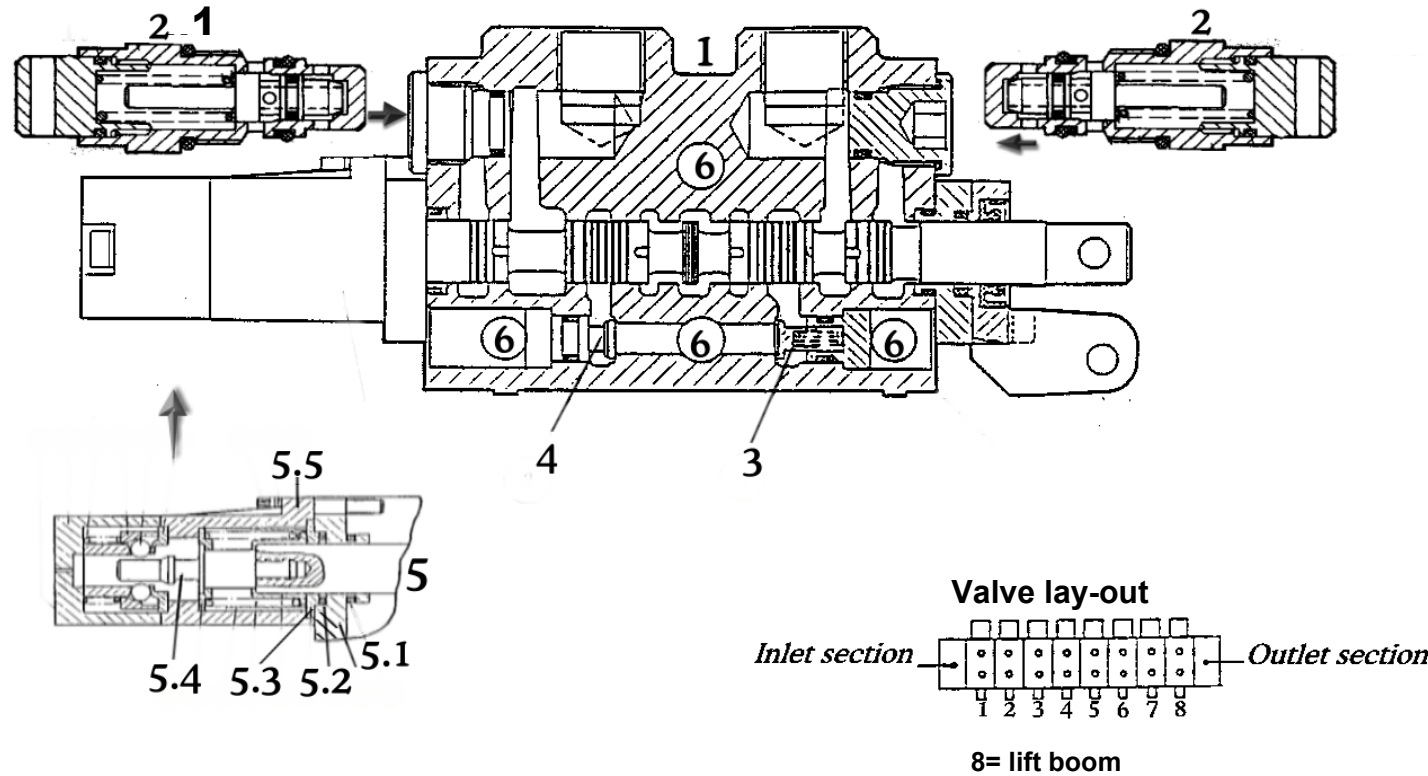


**Valve lay-out**

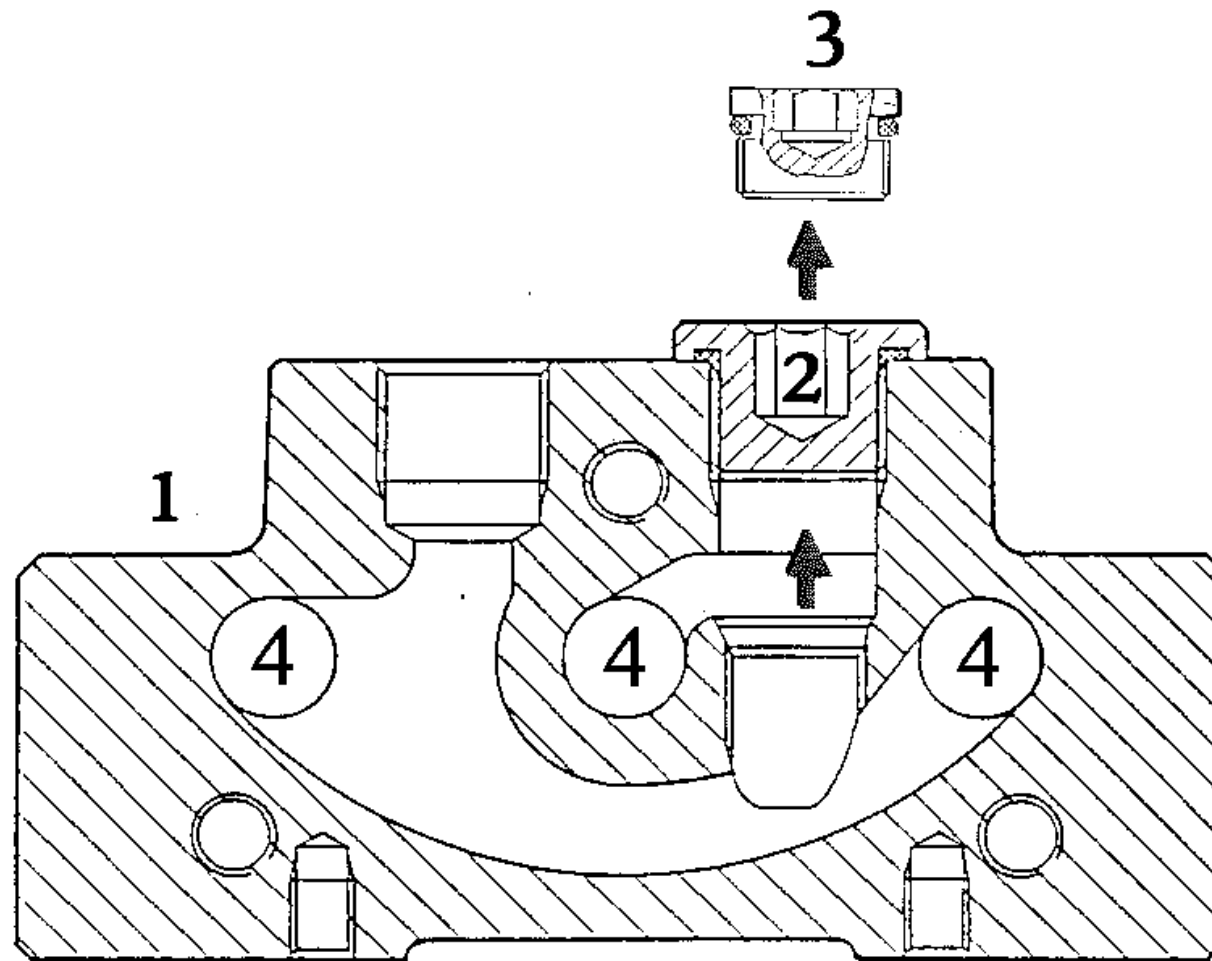


**4&5 = stabilisers / 6= grapple / 7= rotator**

Pos.	Spare part #	Description
1.	N2330-263165	Double acting valve section
2.		Plug ( port relief not used )
3.	N2330-260944	Spool control assembly
3.1	N2330-266115	Spool seal ( kit )
4.	N2330-260584	O-ring set between sections



Pos.	Spare part #	Description
1.	N2330-260987	Float section assembly
2.	N2330-210261***	Relief cartridge (function and pressure to be specified when ordering or to be adjusted ) 140 bar
2.1	N2330-210261***	Relief cartridge (function and pressure to be specified when ordering or to be adjusted ) 190 bar
3.	N2330-220188	Check valve B side
4.	N2330-220085	Check valve A side
5.	N2330-266115	Spool control assembly
5.1	N2330-266948	Spacing piece
5.2	N2330-260552	Spool seal ( kit )
5.3	N2330-266978	Washer
5.4	N2330-266099	Detent
5.5	N2330-267027	Cap
6	N2330-260584	O-ring set between sections



Pos.	Spare part #	Description
1.	N2330-260984	Outlet section
2.	N2330-450059	Plug 1/2" BSP assembly
3.	N2330-450073	Power beyond plug
4.	N2330-260584	O-ring set between sections