

CM 217

Spare parts manual

Article number: 70009755/1

Production year: 2005

Effective: 3722 ≥Mach ID

Prod. Series nr: 14236-1



AANHAALMOMENTEN/TORQUES/ANZUGSMOMENTE/COUPLES DE SERRAGE/PARES DE APRIETE/I MOMENTI TORCENTI/ATDRAGNINGSMOMENTER/MOMENTER/ TILTREKKINGSMOMENTER

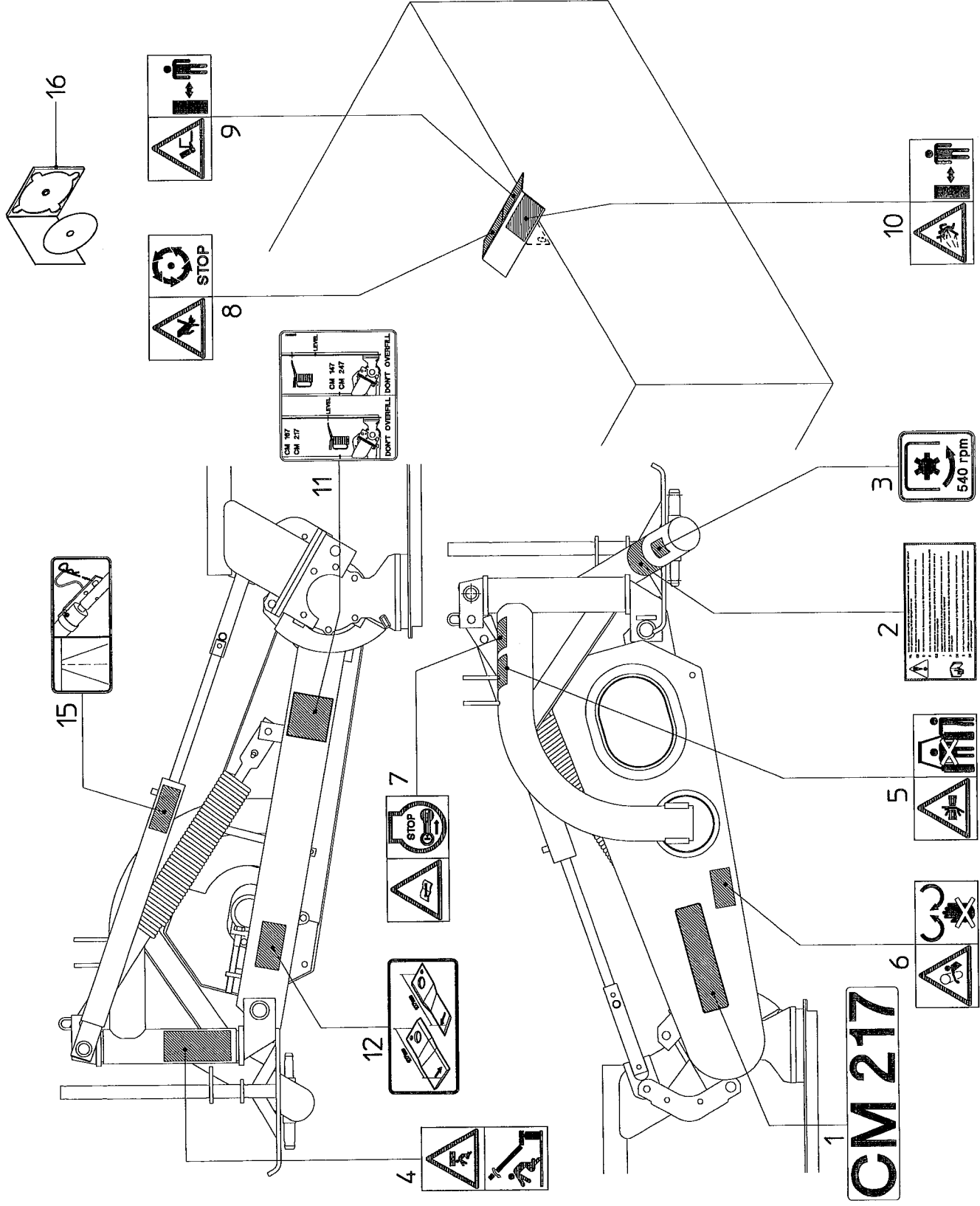
- NL** Richtlijnen voor aanhaalmomenten (in Nm) voor zelfborgende moeren, zeskantbouten en moeren. **GB** Directives for torques (in Nm) for self-locking nuts, hexagonal bolts and nuts.
D Richtlinien für Anzugsmomente (in Nm) für selbstsichernde Mutterm, Sechskantschrauben und Mutterm. **F** Directives relatives aux couples de serrage (en Nm) pour les écrous à auto-bloccage, les boulons à six et les écrous.
ES Directrices para los pares de apriete (en Nm) para tuercas autobloccantes, tornillos hexagonales y tuercas. **I** Linee guida riguardanti i momenti torcenti (espressi in Nm) per dadi autobloccanti, bulloni esagonali e dadi.
S Riktlinjer för åtdragningsmoment (i Nm) för självåsande bultar, sexkantbultar och muttrar. **DK** Retningslinjer for momenter (i Nm) for selvåsende møtrikker, hexagon bolte og møtrikker.
N Retningslinjer for tiltrekkingsmomenter (i Nm) for selvåsende mutre, sekskantskruer og muttre.

KWALITEIT/QUALITY/QUALITAT QUALITÉ/CALIDAD/QUALITA/KVALITET	4.6		8.8		10.9		12.9
	0,10	0,13	0,10	0,13	0,10	0,13	
Wrijving/Friction/Reibung/Frottement/ Fricción/Frizione/Friktion/Friksjon *							
Schroefdraad/Thread/Gewinde/Filetage Rosca/Filettatura/Gånga/Størrelse/ Gjenger							
M5	1,7	2	5	6	7	9	8
M6	3	4	9	10	13	15	15
M8	8	9	21	25	31	36	42
M10	16	19	40	50	60	70	85
M12	27	32	70	85	105	120	145
M14	42	50	115	135	165	195	230
M16	65	76	175	210	260	300	350
M18	90	110	250	290	350	420	490
M20	125	150	350	420	500	600	700
M22	170	200	470	560	670	800	930
M24	210	250	600	710	860	1020	1180

- * **NL** De wrijvingscoëfficiënt van 0,10 geldt voor geoliede plaat, gietijzer, geharde vlakken, vette schroefdraad, etc. De hogere waarde van 0,13 geldt voor een droge plaat. Uitzonderingen op deze tabel zijn vermeld in het onderdeel- en/of instructieboek. Aanhaalmomenten voor bouten en moeren met gekarteide onderkant, zoals Tensilock en Whizlock, 10% extra.
* **GB** The friction coefficient of 0,10 applies to oiled sheet, cast iron, hardened surfaces, greasy thread, etc. The higher value of 0,13 applies to dry sheet. Exceptions to this table are stated in the parts- and /or instruction manual. Torques for bolts and nuts with a knurled underside, like Tensilock and Whizlock, 10% extra.
* **D** Der Reibungskoeffizient von 0,10 gilt für geölte Flächen, Gußeisen, gehärtete Flächen, fettetes Gewinde usw. Der höhere Wert von 0,13 gilt für trockene Flächen. Ausnahmen zu dieser Tabelle sind im Ersatzteilhft und/oder in der Betriebsanleitung. Anzugsmomente für Schrauben und Mutterm mit gerändelter Unterseite, wie Tensilock und Whizlock, zuzüglich 10% extra.
* **F** Le coefficient de frottement de 0,10 s'applique aux surfaces huilées, à la fonte, aux surfaces trempées, aux filetages graissés etc. Le coefficient de 0,13 aux surfaces sèches. Les exceptions à se tableau sont mentionnées dans la nomenclature des pièces et/ou dans le manuel d'emploi. Ajoutez 10% pour les boulons et écrous à partie inférieure crénelée, comme les Tensilock et les Whizlock.
* **ES** El coeficiente de fricción de 0,10 es indicado para planchas lubricadas, hierro fundido, superficies endurecidas, rosca granizada, etc. El valor más alto de 0,13 es para planchas secas. Las excepciones a este cuadro se mencionan en el libro de repuestos y/o manual de instrucciones. Los pares de apriete para tornillos y tuercas con cara inferior dentada, como los Tensilock y Whizlock, 10% extra.
* **I** Il coefficiente di frizione pari a 0,10 si riferisce a superfici oliate, alla ghisa, a superfici temprate, a filettature spesse ecc. Il valore più alto, pari a 0,13, si riferisce a superfici asciutte. Tutte le eccezioni a quanto riportato in questa tabella, si trovano nel libretto delle istruzioni. I momenti torcenti per bulloni e dadi la cui parte inferiore è zigrinata, come i Tensilock (K 100) e Whizlock, sono superiori del 10%.
* **S** Friktionskoefficienten 0,10 gäller oljad plåt, gjutjärn, hårdade ytor, smorda gängor etc. Det högre värdet 0,13 gäller torr plåt. Undantag från denna tabell anges i reservdels- och/eller instruktionsboken.
* **DK** Atdragningsmoment for råfflade bultar och muttrar, som Tensilock og Whizlock 10% extra.
* **N** Friktionskoefficienten på 0,10 gælder for smurte flader, støbejern, hårdede overflader, fedtholdige gevind etc. Den højere værdi på 0,13 gælder for tørre flader. Undtagelser til tabellen er angivet i reservdels- og/eller instruktionsbog. Når det drejer sig om momenter for bolte og møtrikker med en riflet underside, som Tensilock (K100) og Whizlock, skal der tilføjes 10% ekstra.
* **N** Friktsjonskoeffisienten på 0,10 gjelder for smurt plate, støpejern, herdede flater, innfettete gjenger etc. Den høyere verdien på 0,13 gjelder for tørr plate. Unntak fra denne tabellen er angitt i deleboken og/eller i instruksjonsboken. Tiltrekingsmomenter for skruer og muttre med riflet underkant, som Tensilock (K100) og Whizlock 10% tillegg.

bestellnummer
 order number
 num. o commander
 Bestellnummer

1	VN17890896	1
2	VNB0903374	1
3	VNB1310474	1
4	VGTR1007	1
5	VGTR2012	1
6	VGTR2048	1
7	VGTR2006	1
8	VGTR2024	1
9	VGTR2050	1
10	VGTR2010	1
11	VNB1190174	1
12	VNB1190274	1
15	VNB1190474	1
16	VNB2822600	1

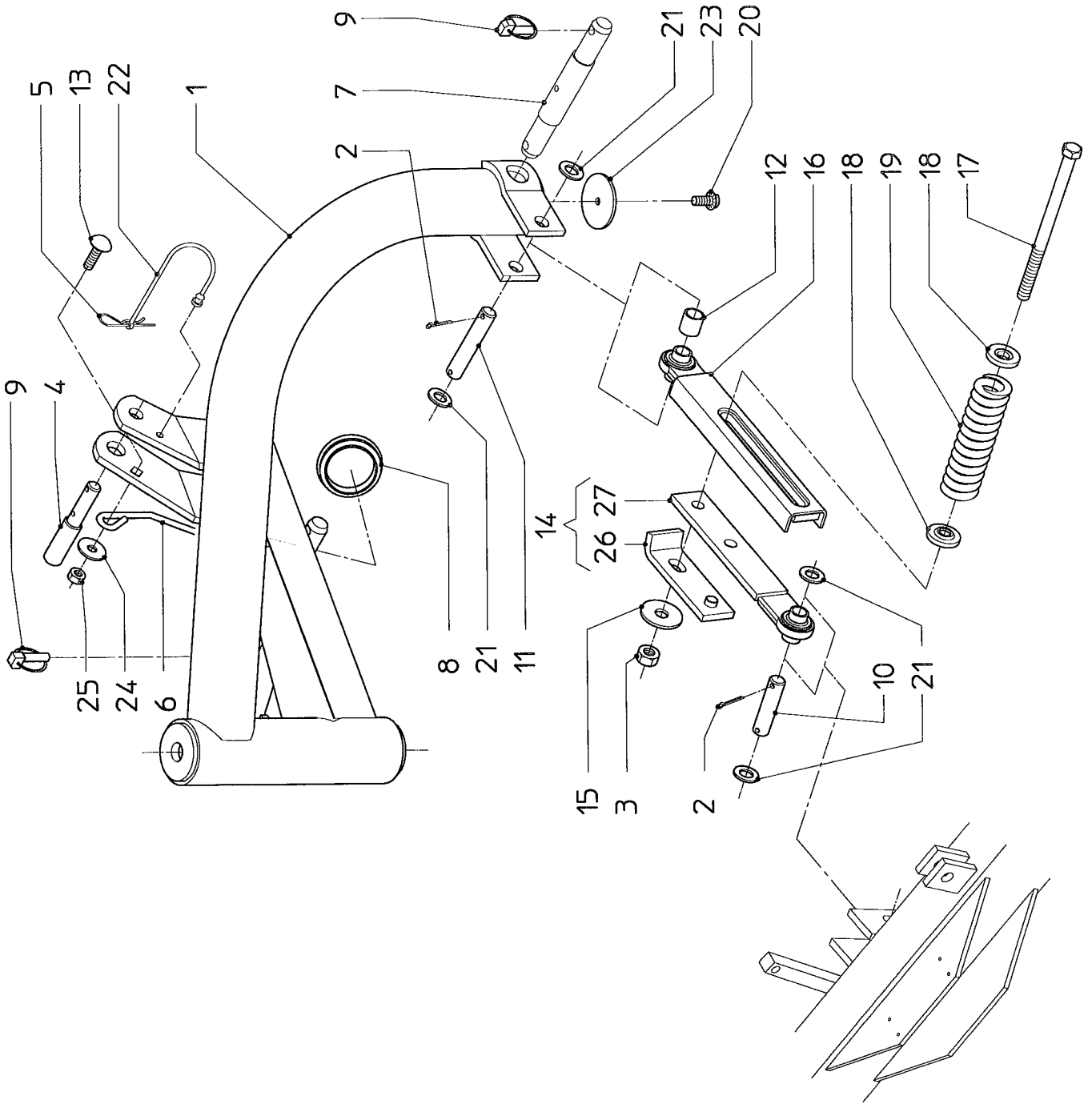


CM 217

serial number 14236

1.1

CM 217 (2)



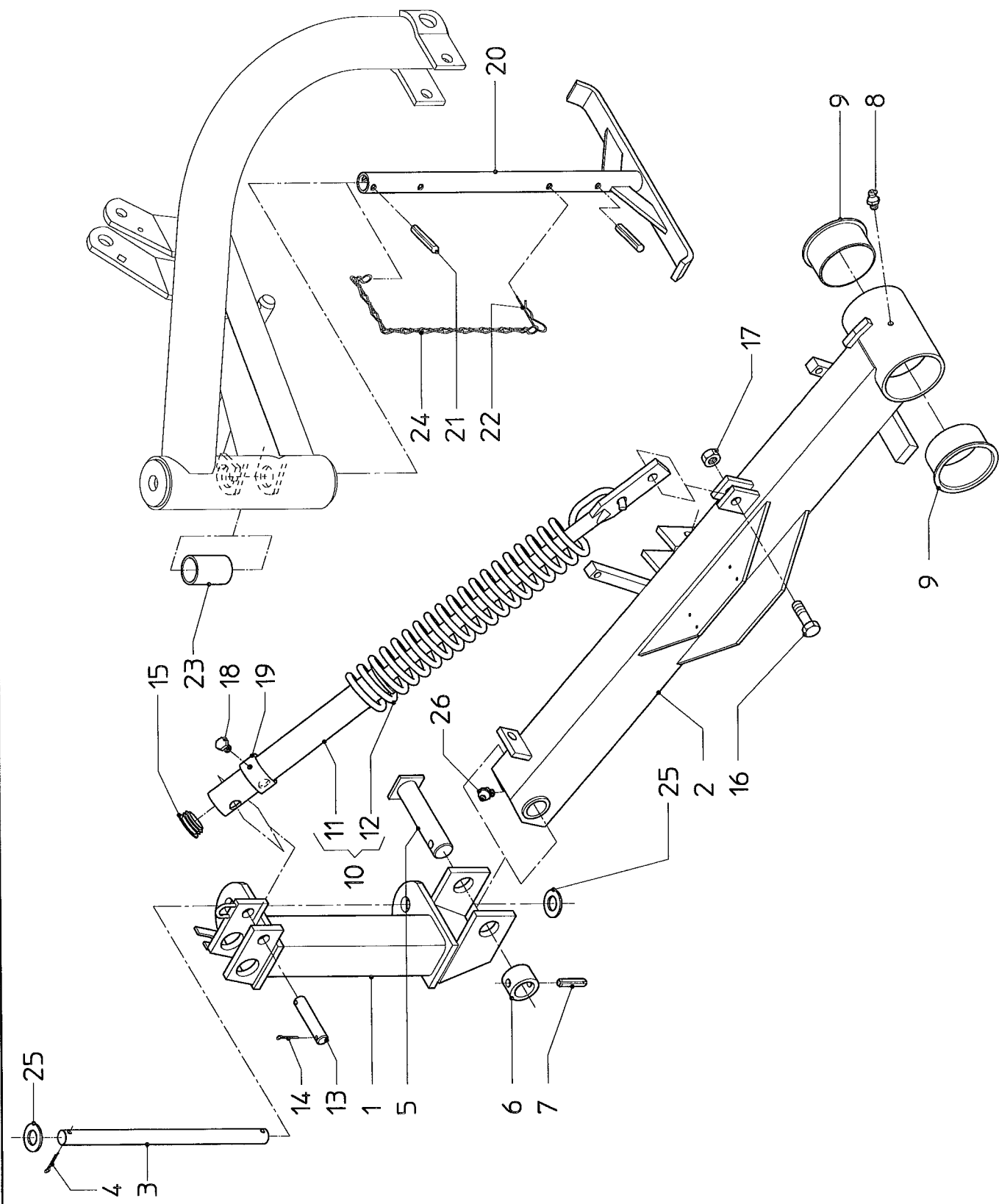
bestelnummer
ordernumber
num. a commander
Bestellnummer

1	VNB1288194	1	
2	KG01252661	4	5x32
3	KG01067961	1	8/M16/Nylac
4	VN90043838	1	
5	VN90091569	1	
6	VNB1307386	1	
7	VNB0659393	1	
8	VN97870974	1	
9	VN90083233	2	
10	VN90044288	1	
11	VN90044639	1	
12	VNB0659993	1	8.8-M12x35
13	KG00644961	1	A17
14	VNB3942278	1	8.8-M16x250
15	KG01261761	1	
16	VN18612529	1	
17	VNB2099493	1	
18	VN19342336	2	
19	VN19330150	1	
20	VN30268840	1	K100-M8x40
21	KG01267861	4	19
22	VNB0870178	1	
23	VNB0659793	1	A13
24	KG01261061	1	10/M12/Nylac
25	KG01068961	1	
26	VNB3737086	1	
27	VNB2094686	1	

serial number 14236

1.2

CM 217 (2)



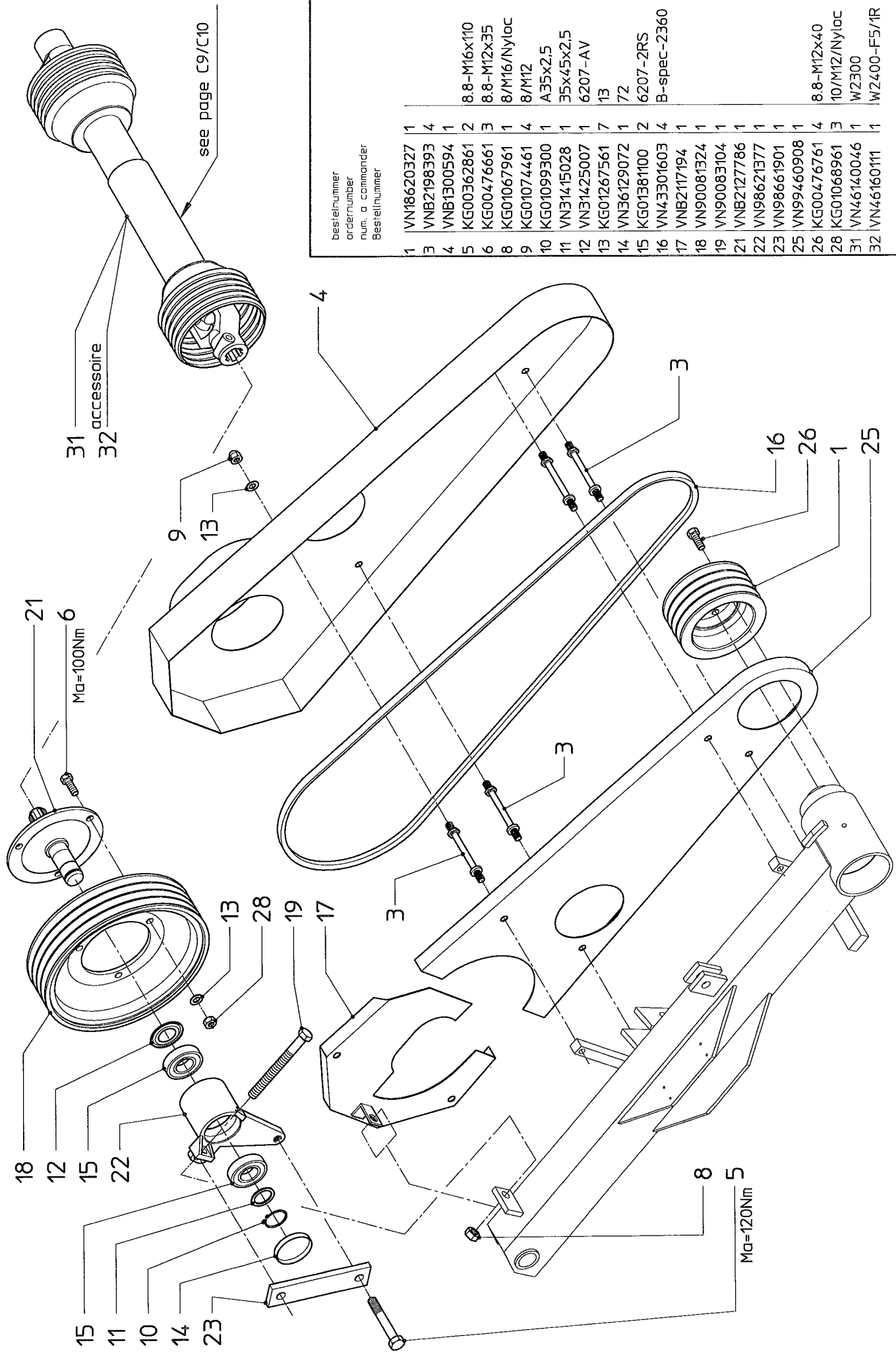
bestellnummer
ordernumber
num. a commander
Bestellnummer

1	VNB2674886	1	6x40
2	VNB1879886	1	13x50
3	VNB2298793	1	G1/8"
4	KG01253761	2	
5	VNB0595493	1	
6	VNB0595593	1	
7	VN30853702	1	
8	VN41701200	1	
9	VN90070335	2	
10	VN98695703	1	
11	VN98613840	1	
12	VN98633023	1	
13	VNB2540293	1	5x32
14	KG01252661	2	
15	VN97870978	1	8.8-M16x55
16	KG00362061	1	8/M16/Nyloc
17	KG01067961	1	8.8-M8x12
18	KG00471561	1	
19	VNB1377593	1	
20	VNB0539086	1	10x50
21	KG01194162	2	
22	VN90083701	1	
23	VNB1308493	1	
24	VNB1310378	1	
25	KG01268161	2	25
26	VN41701245	1	G1/8"-45°

serial number 14236

I.3

CM 217 (2)

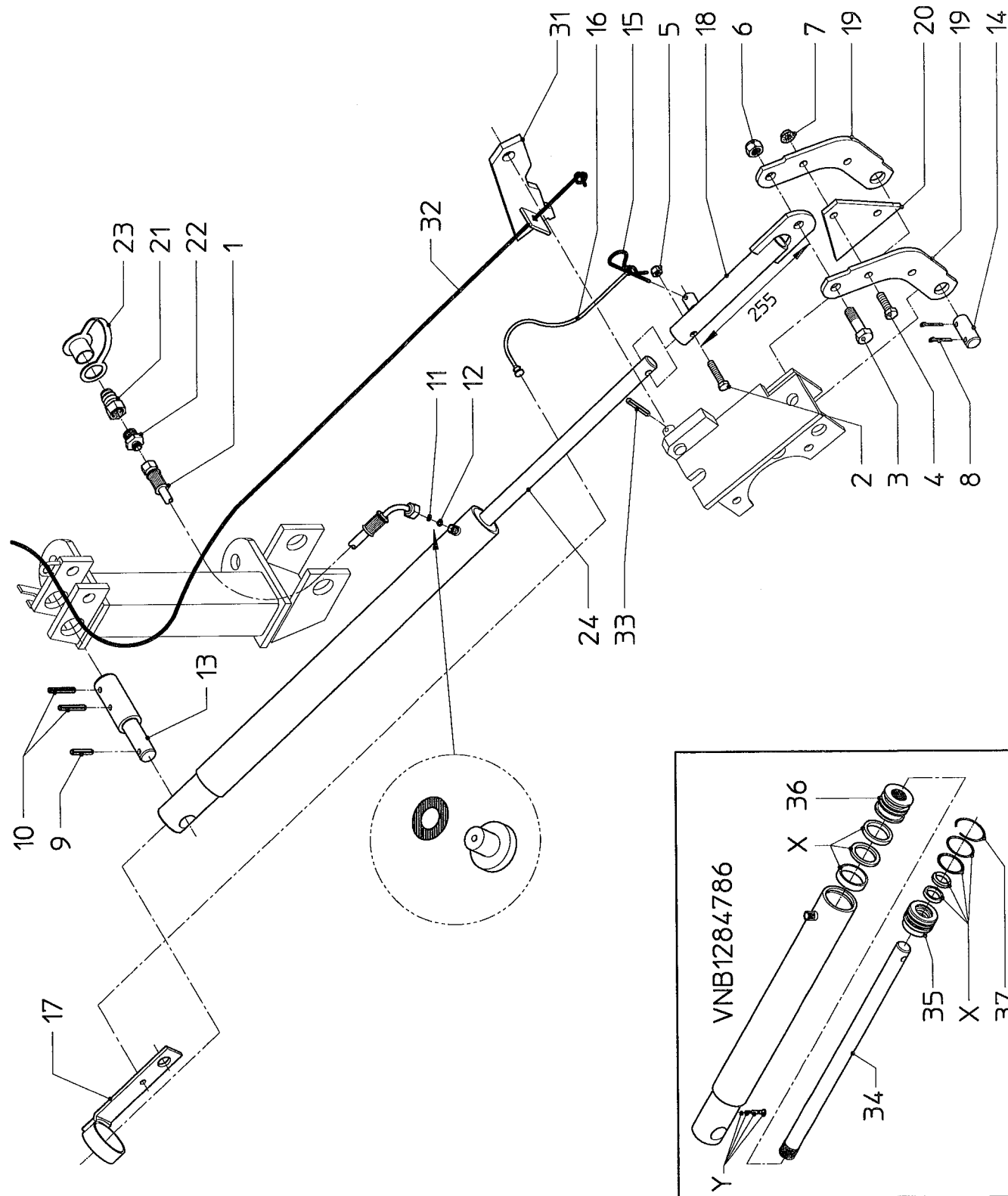


bestelnnummer	ordernumber	num. a commander	Bestellnummer
1	VN18620327	1	
3	VNB2198393	4	
4	VNB1300594	1	
5	KG00362861	2	8.8-M16x110
6	KG00476661	3	8.8-M12x35
8	KG01067961	1	8/M16/Nyloc
9	KG01074461	4	8/M12
10	KG01099300	1	A35x2.5
11	VN31415028	1	35x45x2.5
12	VN31425007	1	6207-AV
13	KG01267561	7	13
14	VN36129072	1	72
15	KG01381100	2	6207-2RS
16	VN43301603	4	B-spec-2360
17	VNB2117194	1	
18	VN90081324	1	
19	VN90083104	1	
21	VNB2127786	1	
22	VN98621377	1	
23	VN98661901	1	
25	VN99460908	1	
26	KG00476761	4	8.8-M12x40
28	KG01068961	3	10/M12/Nyloc
31	VN46140046	1	W2300
32	VN46160111	1	W2400-F5/1R

serial number 14236

I.4

CM 217 (2)

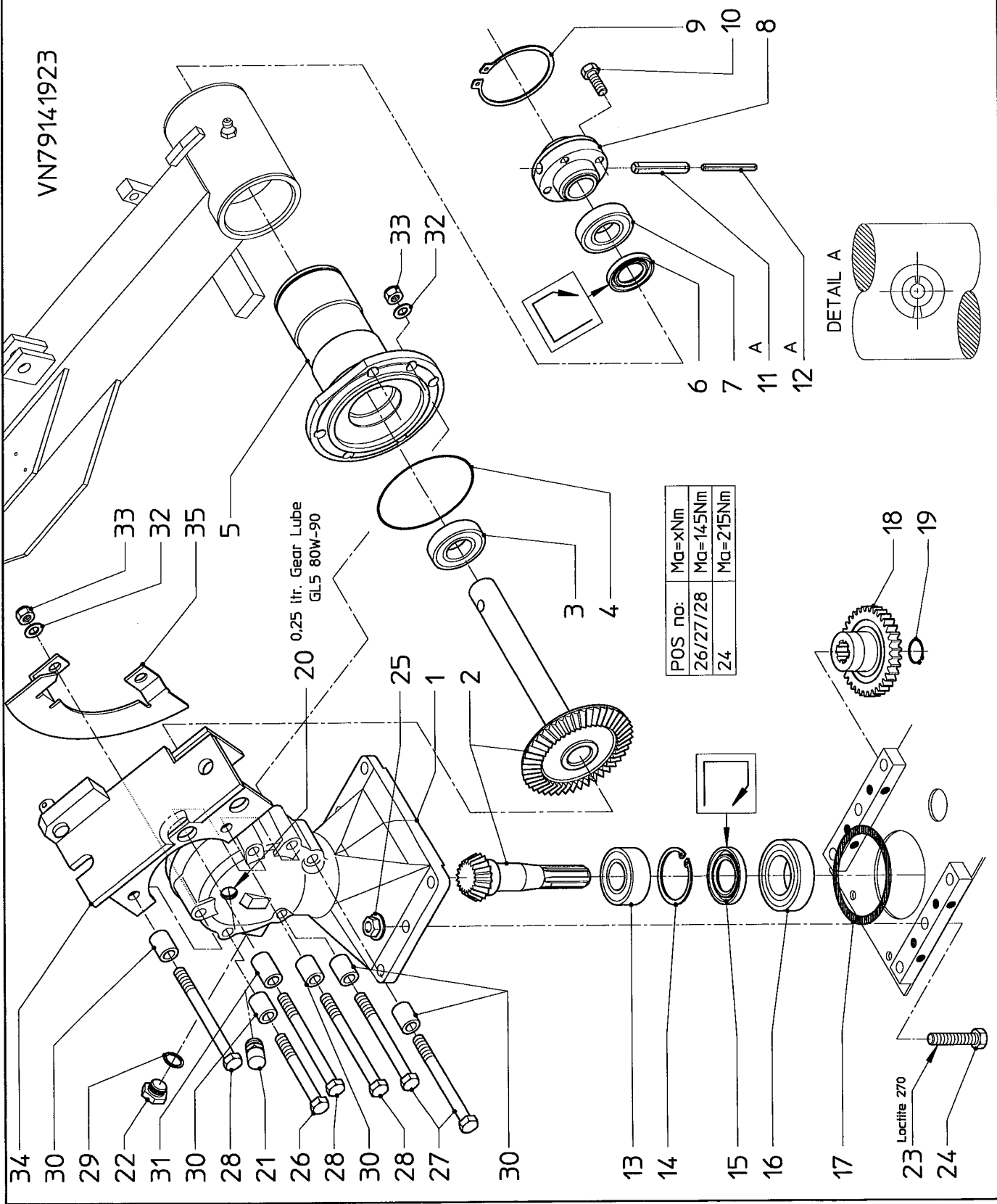


1	2	3	4	5	6	7	8	9	10	11	12	13	14	15	16	17	18	19	20	21	22	23	24	31	32	33	34	35	36	X	Y	
VNB1285578	KG00355461	KG00362061	KG00476761	KG01068861	KG01067961	KG01061461	KG01253761	KG01191862	KG01192062	VN36107339	VNB1077102	VN90044085	VN90044220	VN90091569	VNB0870178	VNB1315686	VN98614940	VN98661755	VN98661924	VN38854081	VNB1306893	VN38854581	VNB1284786	VNB1302286	VNB1055978	VN30853636	VNB1347878	VNB1348178	VNB1347978	VN31024500	VNB1347778	VNB1348078
1/4"-L=2000 mm	8.8-M10x50	8.8-M16x55	8.8-M12x40	10/M10/Nyloc	8/M16/Nyloc	K10/M12	6x40	8x40	8x50	3,68x1,78										G1/2"	1/2"			L=4000	6x36		50x2,5	seal kit				

serial number 14236

I.5

CM 217 (2)



bestelnummer
ordernummer
num. a commander
Bestelnummer

1	VN79141289	1
1	VN18620362	1
2	VN17895861	1
3	KG01477800	1
4	VN36107049	1
5	VN98621220	1
6	KG00269900	1
7	VN40101507	1
8	VN18620326	1
9	KG0112900	1
10	KG00476761	4
11	KG01197100	1
12	KG01192300	1
13	KG01560700	1
14	KG01130500	1
15	VN36115353	1
16	KG01383800	1
17	VN90081822	1
18	VN10283504	1
19	KG01086600	1
20	0,25 ltr. Gear Lube GL5 80W-90	
21	VN90081425	1
22	KG01033161	1
23	G1/2"	
24	Locitite 270	
25	10.9-M14x70	
26	K10/M14	
27	8.8-M14x120	
28	8.8-M14x150	
29	8.8-M14x160	
30	A21x26x15	
31	L=32	
32	L=40	
33	15	
34	8/M14/Nyloc	

34	VNB2118086	1
35	VNB2301186	1

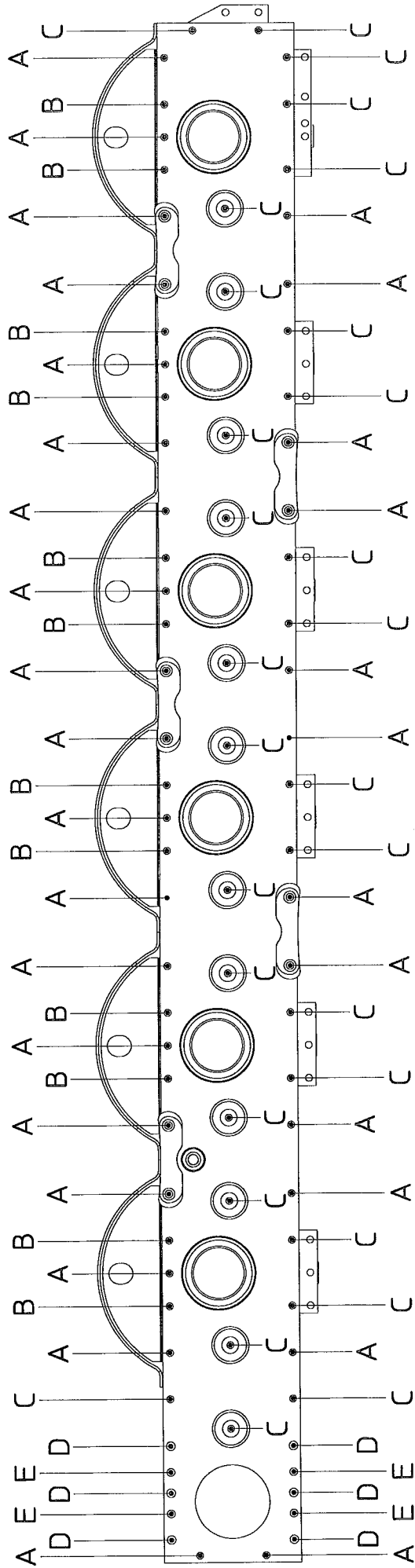
A }
 B } Ma=90Nm
 C }

VN79141838

D — Ma=250Nm
 E — Ma=140Nm

bestellnummer
 ordernummer
 num. o commander
 Bestellnummer

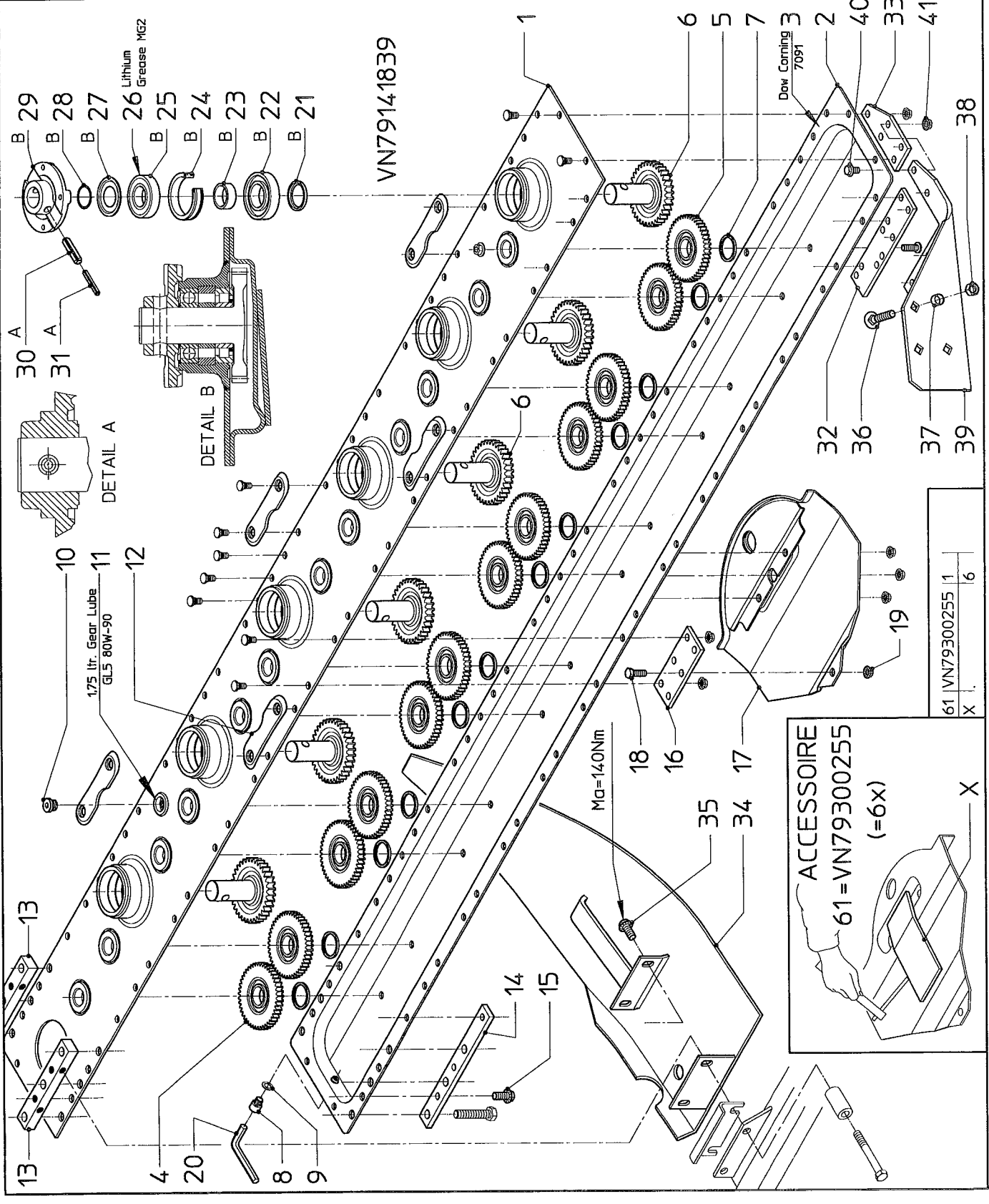
A	VN79141838	1
B	VN90081616	31
C	VN90081617	12
D	VN90081618	29
E	KG01061361	72
	KG00338261	6
	VN30583300	6
	VN30268235	4



CM 217 (2)

I.7

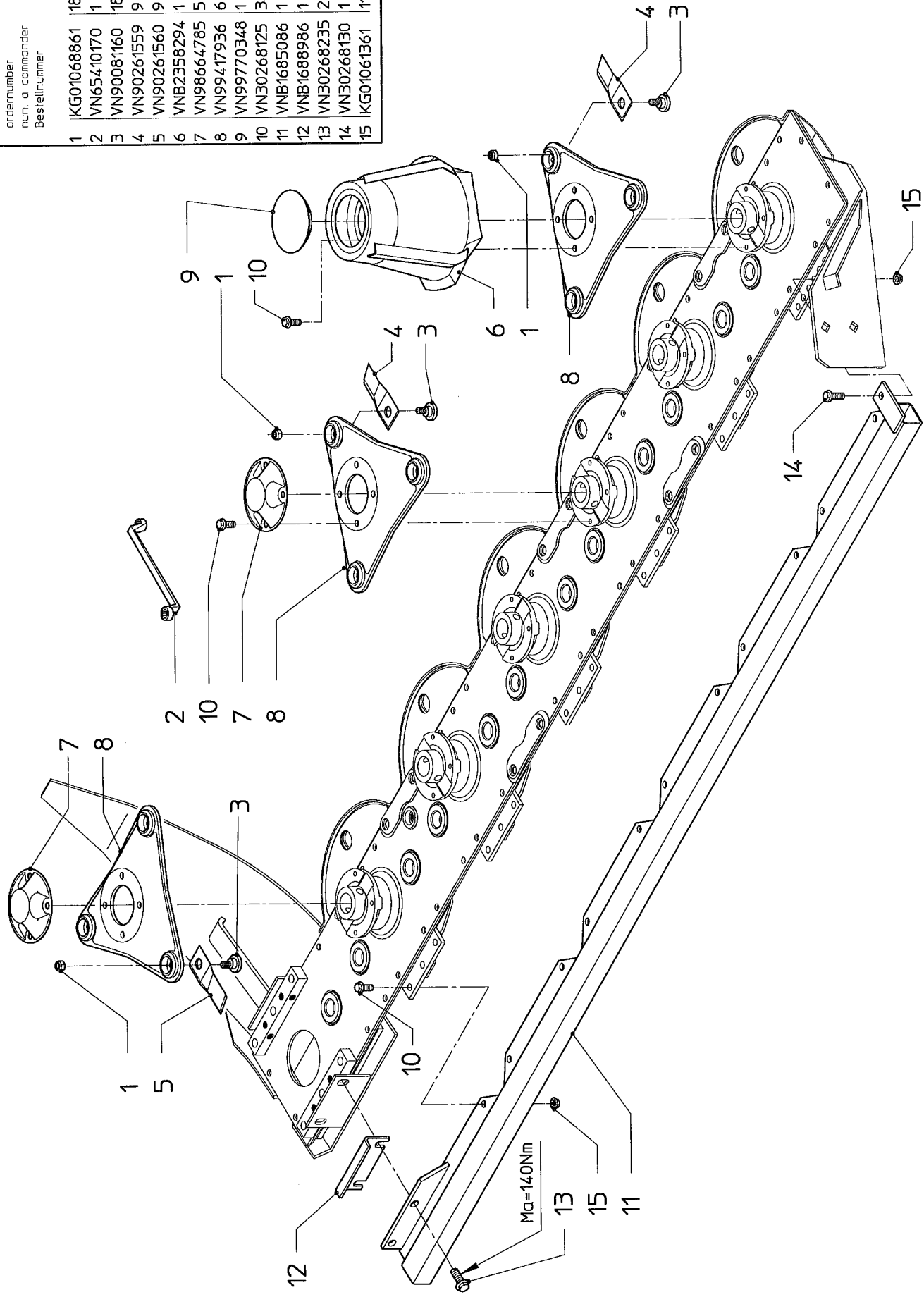
serial number 14236



1	VN7914.1838	1	
2	VN18613265	1	
3	VN18613268	1	DowCorning 7091
4	VN90296323	1	
5	VN90296324	11	
6	VN10283503	6	
7	VN17871311	12	
8	VN30361110	1	10.9-M10x10
9	VN314.19200	1	A10x16x1
10	VN17883651	1	
11		1,75 ltr	1.75 ltr Gear Lube GL5 80W-90
12	VN98684063	5	
13	VN19343120	2	
14	VNB1927993	2	
15	VN30268235	4	K100-M12x35
16	VN18645928	5	
17	VN18613457	6	
18	KG00474261	5	8.8-M10x25
19	KG01061361	6	K10/M10/Tensiloc
20	VN65450080	1	8
21	VN90070360	6	
22	VN40130207	6	NU207-C4-INA
23	VN17871304	6	
24	VN17871470	6	
25	VN40101527	6	6207LLU-C4-NTN
26		26	Lithium Grease MG2
27	VN314.25007	6	6207-AV
28	VN36107016	6	34.6x2.62
29	VN98621876	6	
30	VN30803719	6	13x55
31	VN30804855	6	8x55
32	VNB3788586	1	
33	VNB3867286	1	
34	VN98618082	1	
35	VN30268220	2	K100-M12x20
36	KG00645061	1	8.8-M12x40
37	VNB2291393	1	10/M12/Nyloc
38	KG01068961	1	
39	VNB3788486	1	
40	VN30268125	4	K100-M10x25
41	KG01061361	4	K10/M10/Tensiloc

bestelnnummer
 ordernummer
 num. a commander
 Bestellnummer

1	KG01068861	18	10/M10/Nyloc
2	VN65410170	1	13-17
3	VN90081160	18	M10
4	VN90261559	9	L
5	VN90261560	9	R
6	VNB2358294	1	
7	VN98664785	5	
8	VN99417936	6	
9	VN99770348	1	
10	VN30268125	34	K100-M10x25
11	VNB1685086	1	
12	VNB1688986	1	
13	VN30268235	2	K100-M12x35
14	VN30268130	1	K100-M10x30
15	KG01061361	11	K10/M10/Tensiloc



serial number 14236

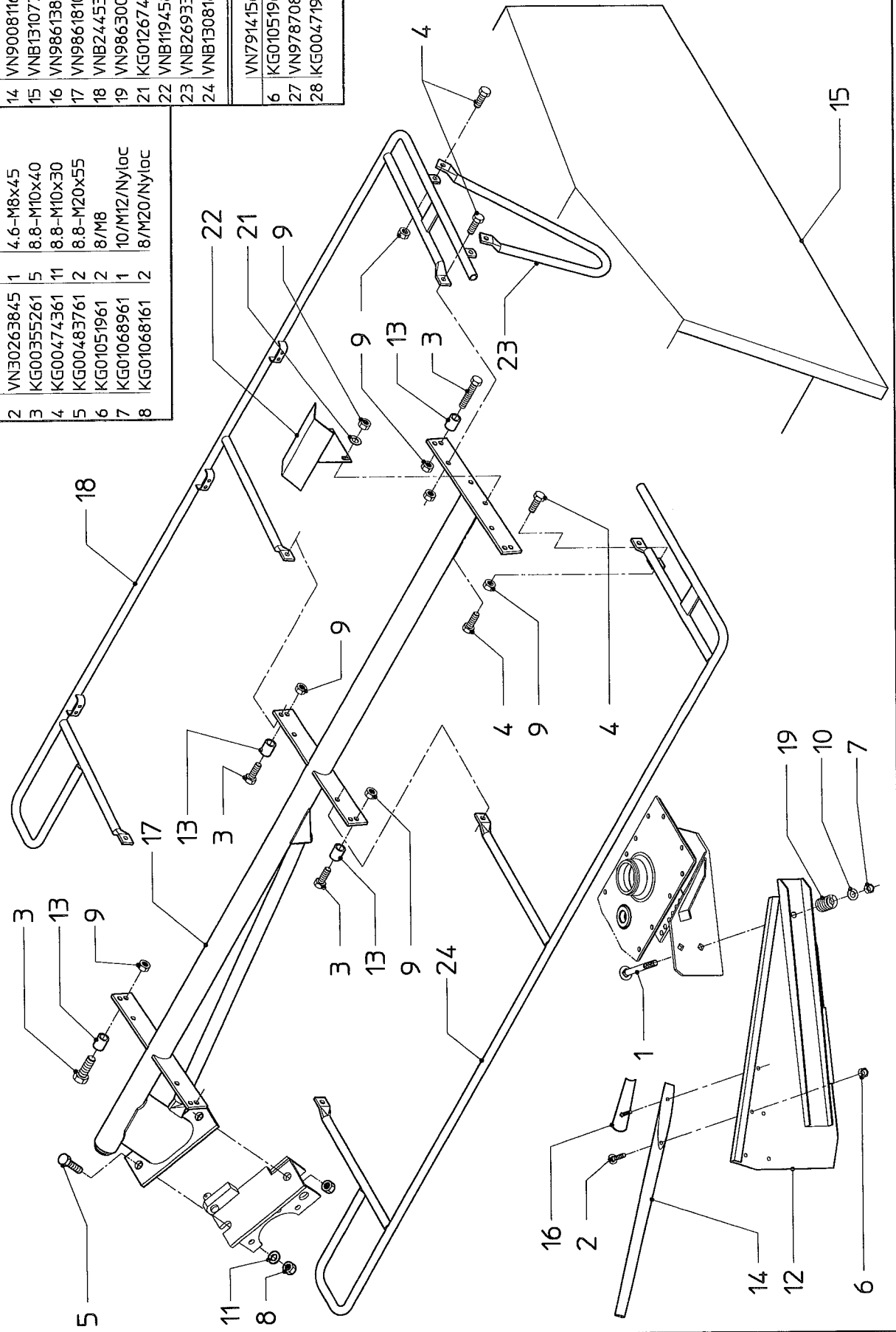
I.9

CM 217 (2)

bestelnummer	1	KG00668961	1	4.6-M12x80
ordernummer	2	VN30263845	1	4.6-M8x45
num. a commander	3	KG00355261	5	8.8-M10x40
Bestelnummer	4	KG00474361	11	8.8-M10x30
	5	KG00483761	2	8.8-M20x55
	6	KG01051961	2	8/M8
	7	KG01068961	1	10/M12/Nyloc
	8	KG01068161	2	8/M20/Nyloc

9	KG01068861	16	10/M10/Nyloc
10	KG01267561	1	13
11	KG01267961	1	21
12	VN98613805	1	
13	VN90047784	5	
14	VN90081166	1	
15	VNB1310778	1	
16	VN98613872	1	
17	VN98618107	1	
18	VNB2445386	1	
19	VN98630051	1	10.5
21	KG01267461	4	
22	VNB1194586	1	
23	VNB2693386	1	
24	VNB1308186	1	

VN79141567X	1	ACCESSOIRE
KG01051961	6	8/M8
VN97870841	3	
KG00471961	6	8.8-M8x20



ACCESSOIRE
VN79141567X

serial number 14236

I.10

CM 217 (2)

bestelnummer
ordernumber
num. a commander
Bestelnummer

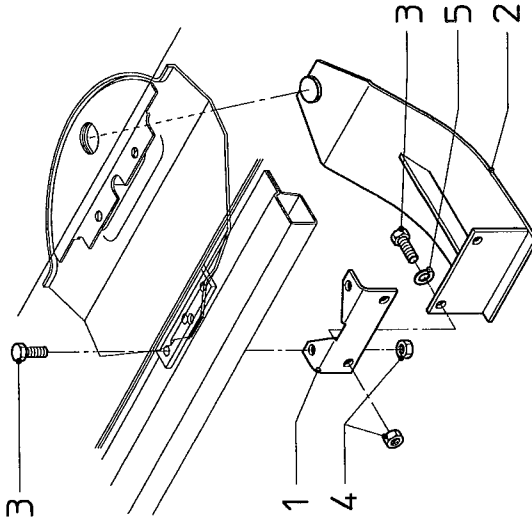
VN79140992X2	
1	VNB1694486 2
2	VNB1694186 2
3	KG00474361 8
4	KG01061361 8
5	KG01267461 4
8.8-M10x30	
K10/M10	
10.5	

bestelnummer
ordernumber
num. a commander
Bestelnummer

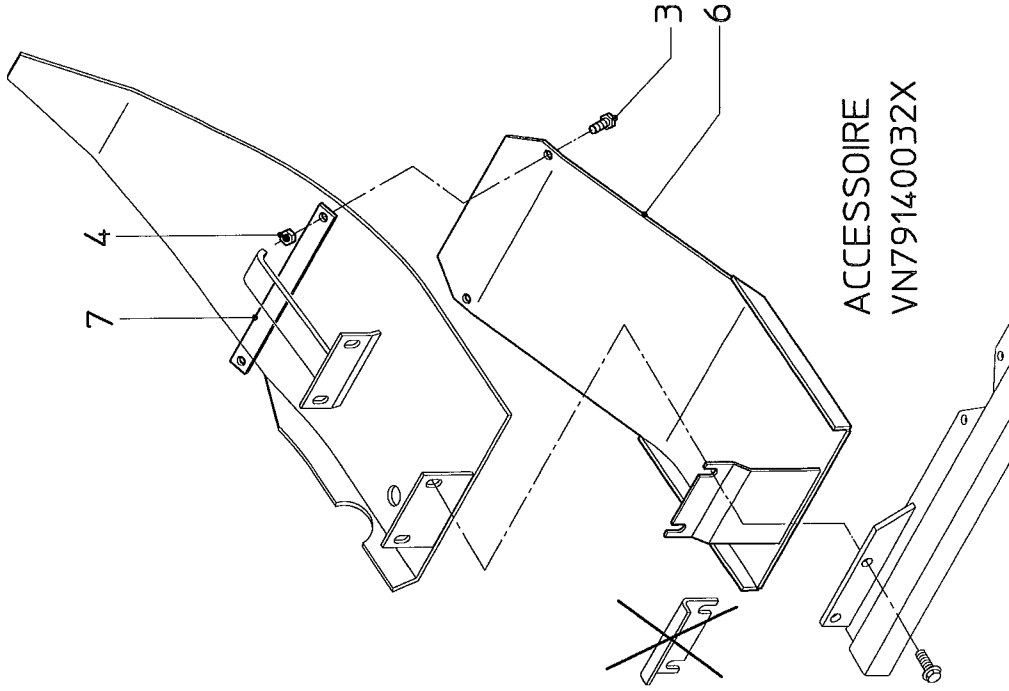
VN79140032X1	
3	KG00474361 2
4	KG01061361 2
6	VN98618380 1
7	VN98661772 1
8.8-M10x30	
K10/M10	

bestelnummer
ordernumber
num. a commander
Bestelnummer

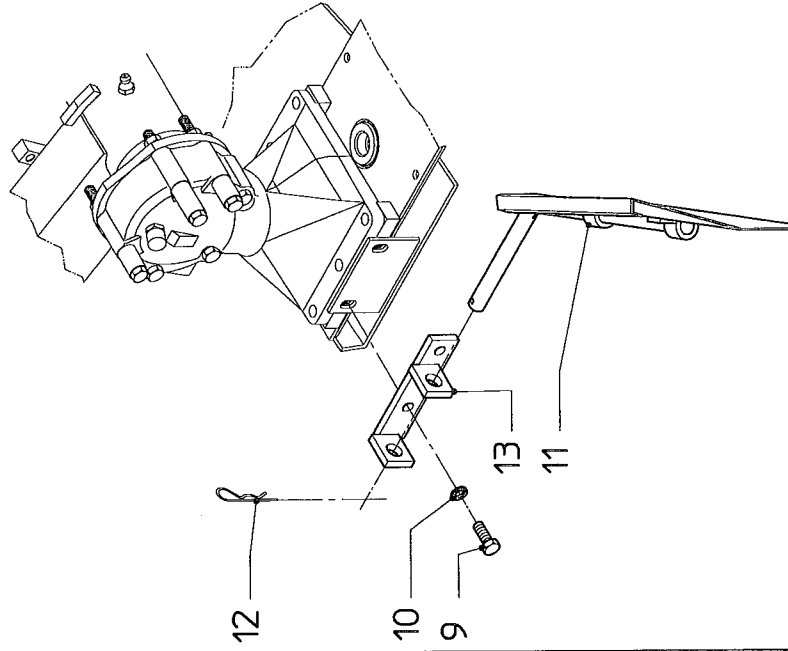
VN79140993X1	
9	KG00476561 2
10	KG01286261 2
11	VNB1695586 1
12	VN90091569 1
13	VNB1695886 1
8.8-M12x30	
A12.5	



ACCESSOIRE
VN79140992X



ACCESSOIRE
VN79140032X



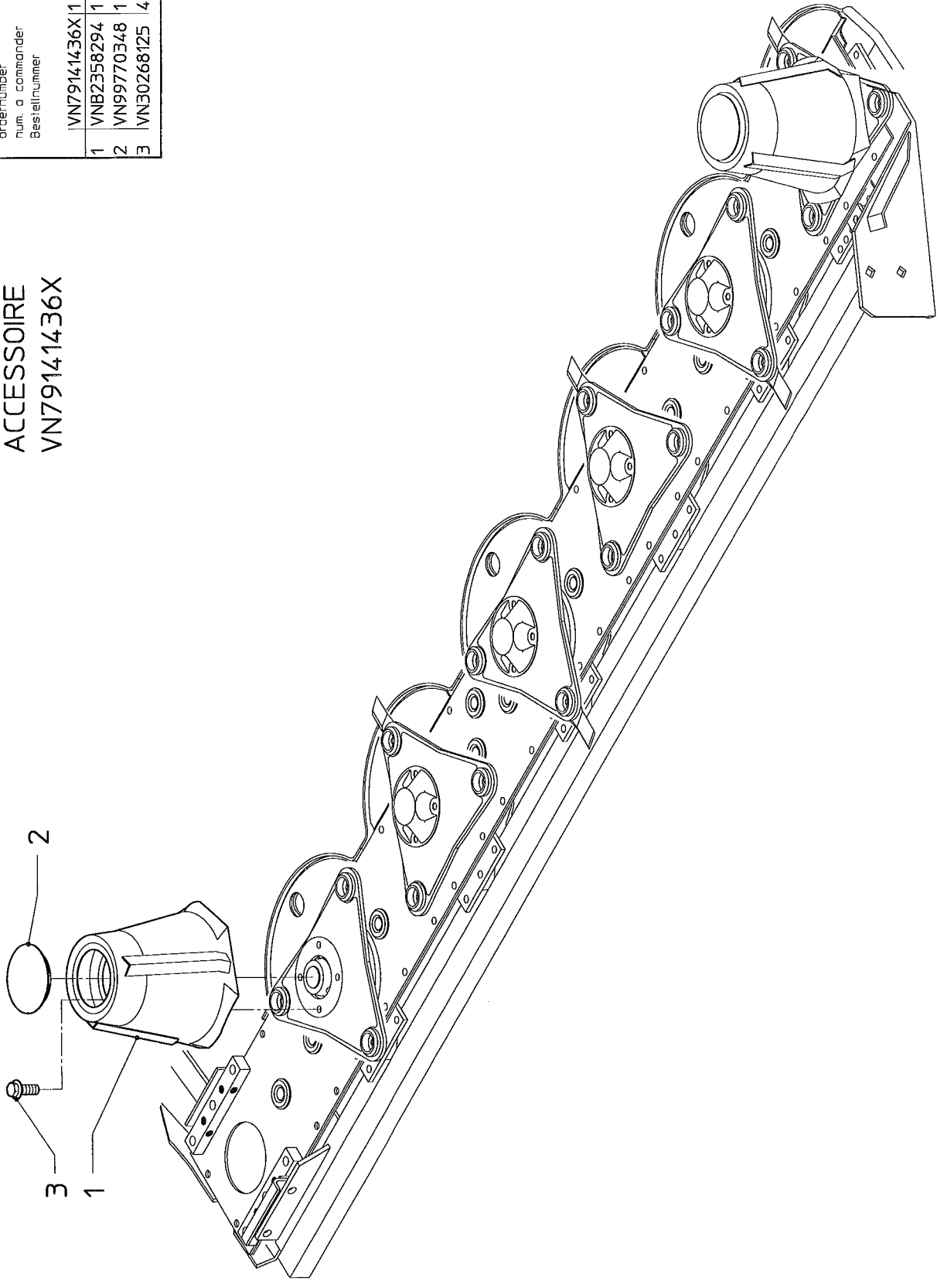
ACCESSOIRE
VN79140993X

serial number 14236

I.11

CM 217 (2)

ACCESSOIRE
VN79141436X



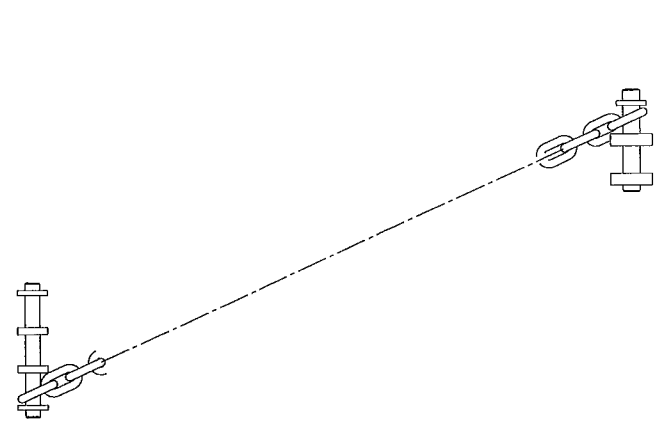
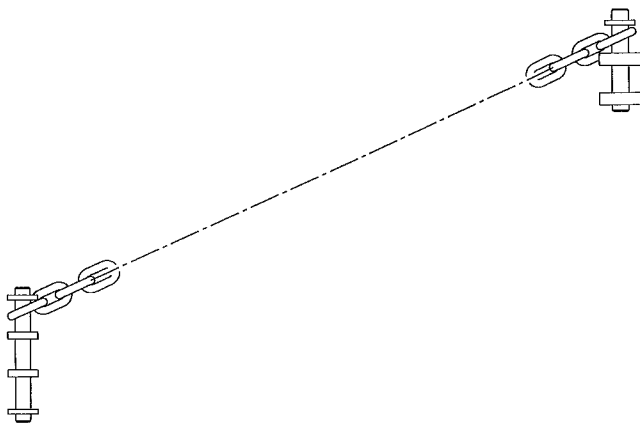
bestellnummer
ordernumber
num. a commander
Bestellnummer

	VN79141436X	1	ACCESSOIRE
1	VNB2358294	1	
2	VN99770348	1	
3	VN30268125	4	K100-M10x25

serial number 14236

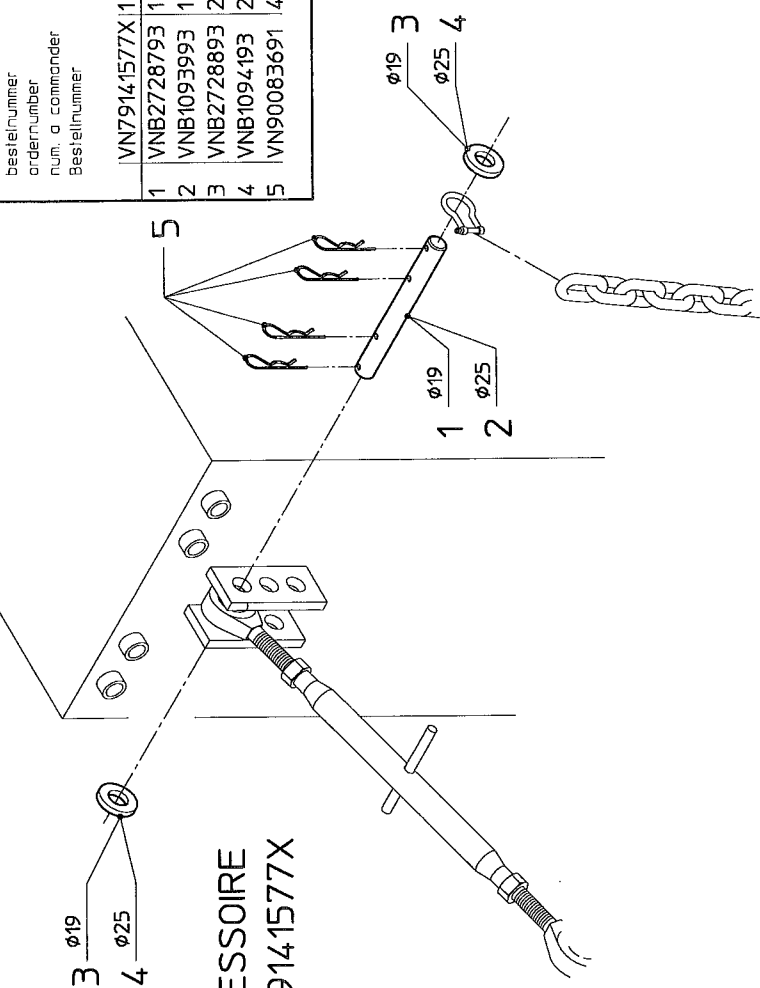
I.12

CM 217 (2)

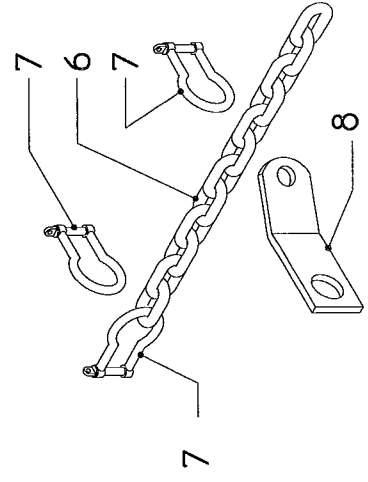


3 $\phi 19$
4 $\phi 25$

ACCESSOIRE
VN79141577X



bestellnummer ordernumber num. a commander Bestellnummer	VN79141577X	1	ACCESSOIRE
	VNB2728793	1	$\phi 19$
	VNB1093993	1	$\phi 25$
	VNB2728893	2	$\phi 19$
	VNB1094193	2	$\phi 25$
	VN90083691	4	



ACCESSOIRE
VN79141032

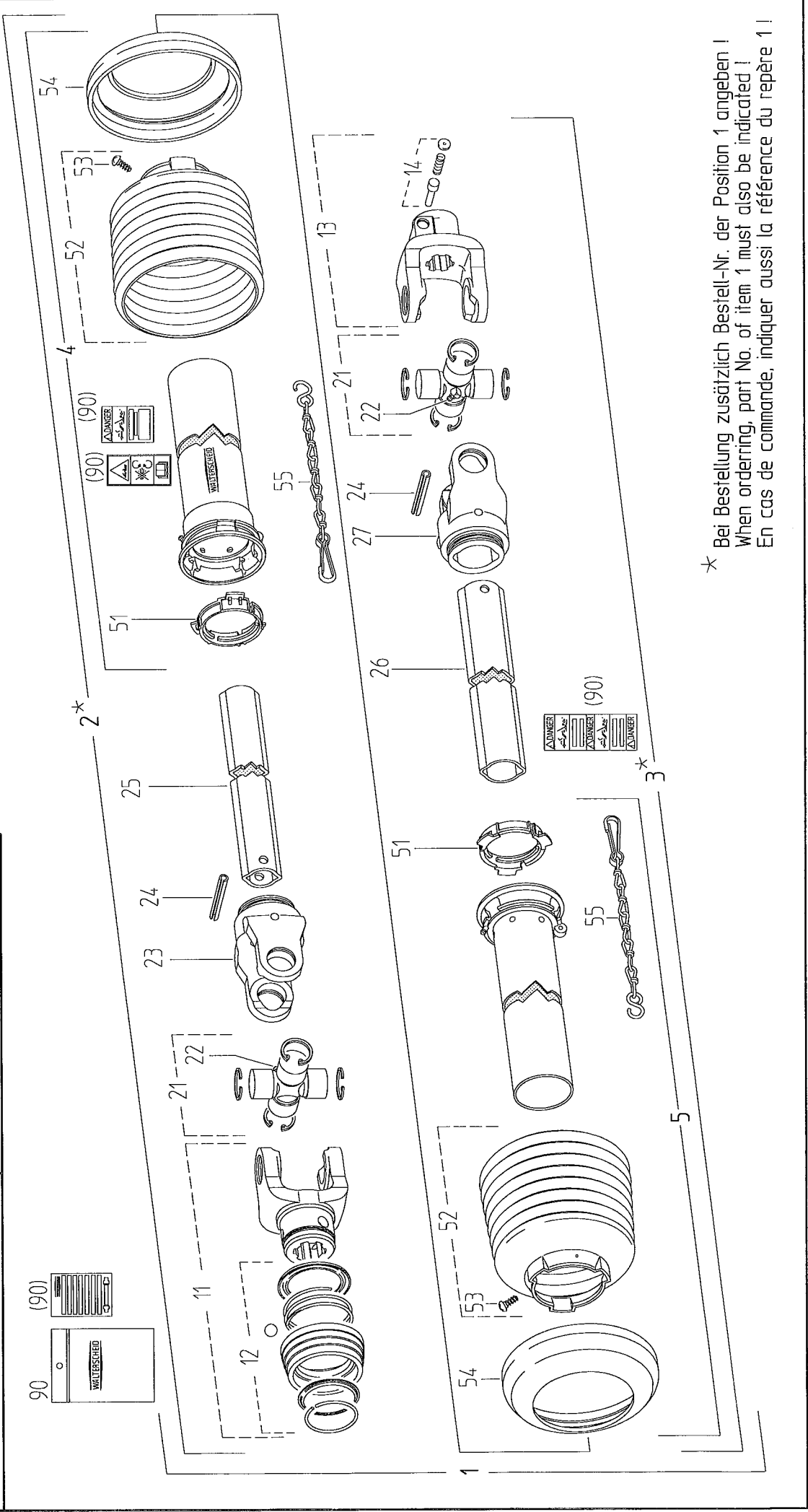
bestellnummer ordernumber num. a commander Bestellnummer	VN79141032	1	ACCESSOIRE
	VN99383983	1	
	VN43460900	3	16x16
	VNB1181986	1	

serial number 14236

C9

CM 217 (2)

Walterscheid	13	VG21.10.00	AG2300-1 3/8"(6)	27	VG21.12.00	RG2300-1
VN46140046	14	VGagraset 101		51	VG82.83.06	n=RP12
2 *	21	VG21.00.00	BM8x1	52	VG85.15.12	3.5x9,5
3 *	22	VG63.27.00	RG2300-0V	53	VG365305	
4	23	VG21.11.00	ISO8752-10x65	54	VG82.85.00	
5	24	VG61.05.04	0VGA-1000	55	VG82.36.03	
11	25	VG75.11.91	1G-1000	90	VGagraset 207	
12	26	VG75.16.00				



* Bei Bestellung zusätzlich Bestell-Nr. der Position 1 angeben!
 When ordering, part No. of item 1 must also be indicated!
 En cas de commande, indiquer aussi la référence du repère 1!

NUMERICAL INDEX / NUMMERN-VERZEICHNIS / INDEX NUMERIQUE / NUMERIEKE INDEX / INDICE DE NUMEROS

2 CM217		Page: 08		Page: 09	
Part no.	Teile-nr.	Selle	Teile-nr.	Selle	
No. de ref.	Onderd. nr.	Page	No. de ref.	Page	
Norm. de pza		Pagina	Onderd. nr.	Pagina	
		Pagina	Nom. de pza	Pagina	
VNB1302286		I.04	VNB2674886	I.02	
VNB1306893		I.04	VNB2693386	I.09	
VNB1307386		I.01	VNB2728793	I.12	
VNB1308186		I.09	VNB2728893	I.12	
VNB1308493		I.02	VNB2822600	C15	
VNB1310378		I.02	VNB3737086	I.01	
VNB1310474		C15	VNB3788486	I.07	
VNB1310778		I.09	VNB3788586	I.07	
VNB1315686		I.04	VNB3867286	I.07	
VNB1347778		I.04	VNB3942278	I.01	
VNB1347878		I.04			
VNB1347978		I.04			
VNB1348078		I.04			
VNB1348178		I.04			
VNB1377593		I.02			
VNB1685086		I.08			
VNB1688986		I.08			
VNB1694186		I.10			
VNB1694486		I.10			
VNB1695586		I.10			
VNB1695886		I.10			
VNB1879886		I.02			
VNB1927993		I.07			
VNB2094686		I.01			
VNB2099493		I.01			
VNB2117194		I.03			
VNB2117893		I.05			
VNB2117993		I.05			
VNB2118086		I.05			
VNB2127786		I.03			
VNB2198393		I.03			
VNB2291393		I.07			
VNB2298793		I.02			
VNB2301186		I.05			
VNB2358294		I.08			
VNB2358294		I.11			
VNB2445386		I.09			
VNB2540293		I.02			



CM 217

1001 ≥Mach ID

**Kverneland Group Nieuw-Vennep B.V.
Hoofdweg 1278
NL-2153 LR Nieuw-Vennep
The Netherlands**

© Kverneland group

All rights reserved. No part of this book may be reproduced, stored in a database or retrieval system, or published in any form or in any way, electronically, mechanically, optically, by print, photo print, microfilm (including micro and macro fiche), or any other means, including all video and CD systems, without prior written permission from the publisher.

