

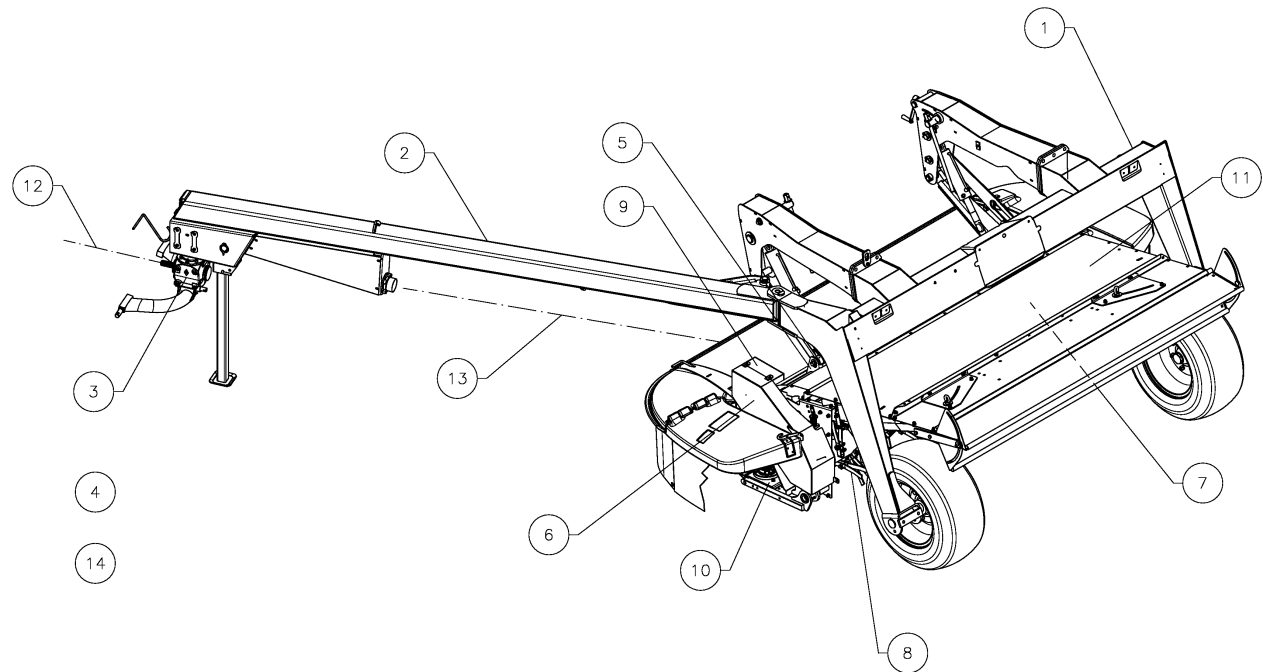
EXTRA 832T

Spare Parts Manual

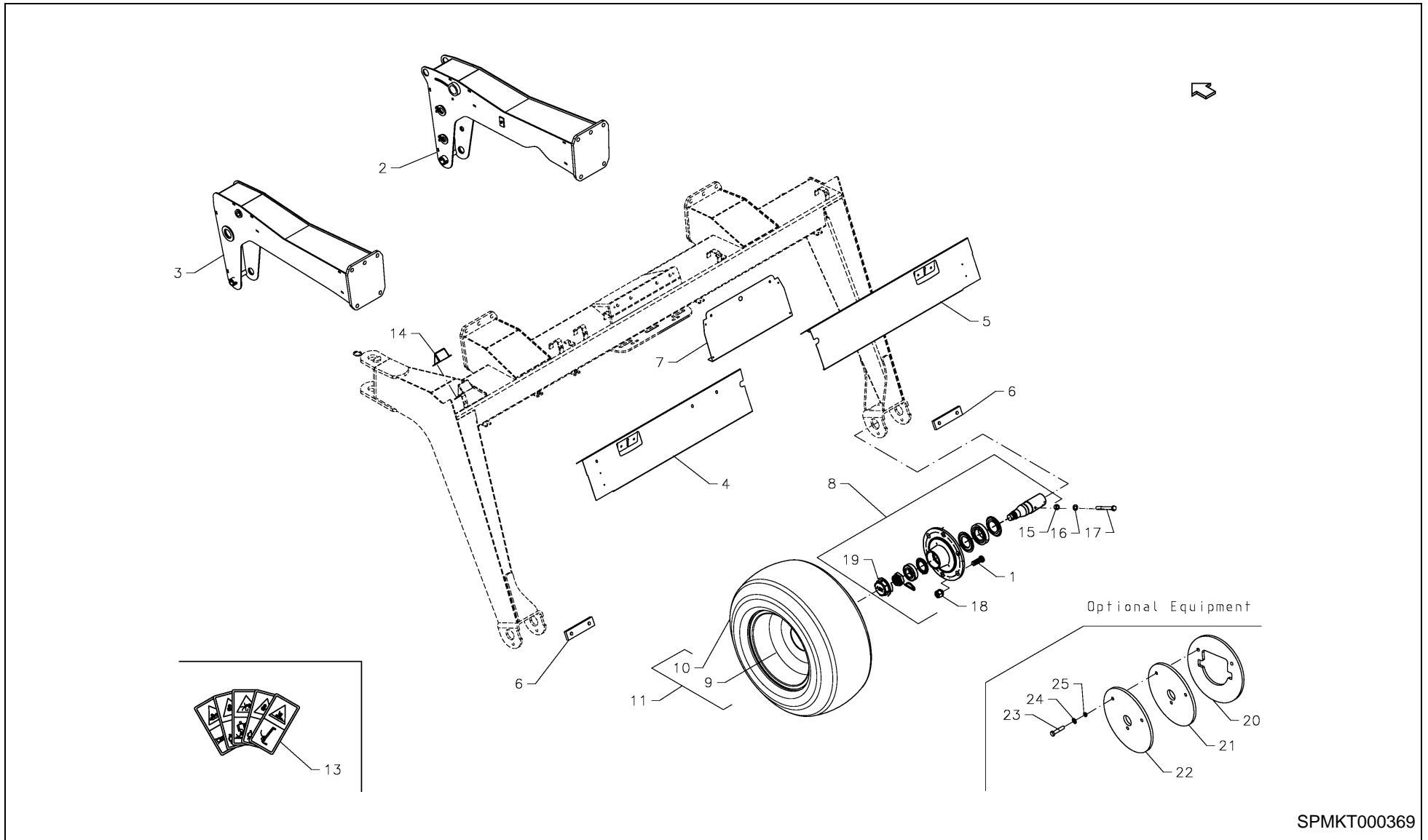
Article number:	90000252 Index 117-11
Language:	EN
Production year (from):	2007
Serial No. (from)	402.420 < Mach. ID <=

EXTRA 832T / Table of Contents

PosNo.	Assembly group	Page
1	PRIMARY FRAME, WHEEL	1
1	SPRING, HYDRAULIC CYLINDER, LH	2
1	SPRING, HYDRAULIC CYLINDER, RH	3
1	LIGHTING KIT CPL.	22
2	DRAWBAR	4
3	SWIVEL GEAR, COMPLETE	5
4	HYDRAULIC	6
4	HYDRAULIC, DRAWBAR	7
5	SECONDARY FRAME	8
6	TRANSMISSION	9
7	CONDITIONER PLATE	10
8	ROTOR	11
9	MAIN GEAR BOX	12
10	CUTTERBAR	13
10	TRANSMISSION, CUTTERBAR	14
10	CUTTERBAR	15
11	REAR END & DEFLECTOR PLATE	16
11	GUARD	17
11	GUARD	18
12	PTO SHAFT	19
13	PTO SHAFT	20
13	FRICTION CLUTCH	21
14	OPTIONAL EQUIPMENT	23
14	OPTIONAL EQUIPMENT	24
14	OPTIONAL EQUIPMENT	25
14	OPTIONAL EQUIPMENT	26



EXTRA 832T / Primary frame, wheel



SPMKT000369



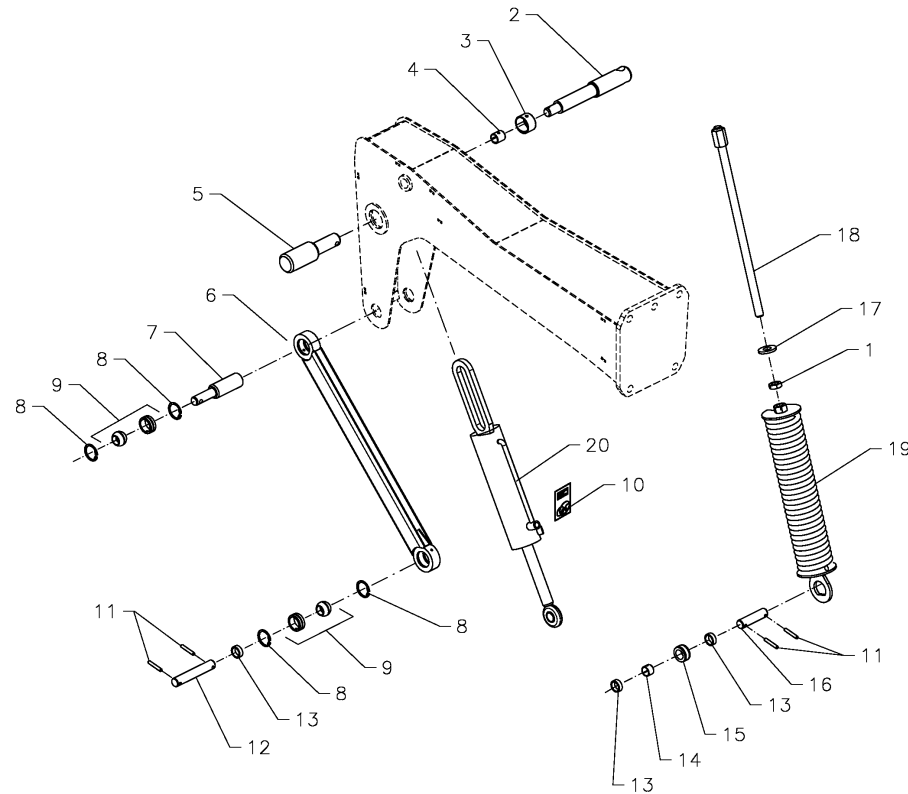
EXTRA 832T / Primary frame, wheel

PosNo.	Part No.	Qty.	Description	Remark
1	KT99434601	6	STUD	
2	KT9041120086	1	ARM RH	
3	KT9041210086	1	ARM LH	
4	KT9053100086	1	GUARD, LH	
5	KT9053000086	1	GUARD RH	
6	KT9040200061	2	CONSOLE	
7	KT9052900086	1	GUARD, CENTER	
8	KT99434056	2	HUB, COMPLETE	
9	KT99432066	2	RIM 15.00-17	
10	KT99432375	2	TYRE 15.00-17	
11	KT26422000	2	WHEEL CPL.	
13	KT90186000	1	SAFETY DECAL SET	
14	KT9040100086	1	BRACKET	
15	KG01064461	4	LOCK NUT M16 8	
16	KG01267761	4	WASHER M16	
17	KG00363161	4	HEX. BOLT M16X140 8.8	
18	KT99434602	6	NUT	
19	KT99434603	2	COVER	
20	KT9093700086	1	COUNTER BALANCE BLOCK	
21	KT9093900086	1	COUNTER BALANCE BLOCK	
22	KT9093800086	1	COUNTER BALANCE BLOCK	
23	KG00362561	3	HEX. BOLT M16X80 8.8	
24	KG01267761	3	WASHER M16	
25	KG01064461	3	LOCK NUT M16 8	

EXTRA 832T / Spring, hydraulic cylinder, LH



Venstre side/ Left side



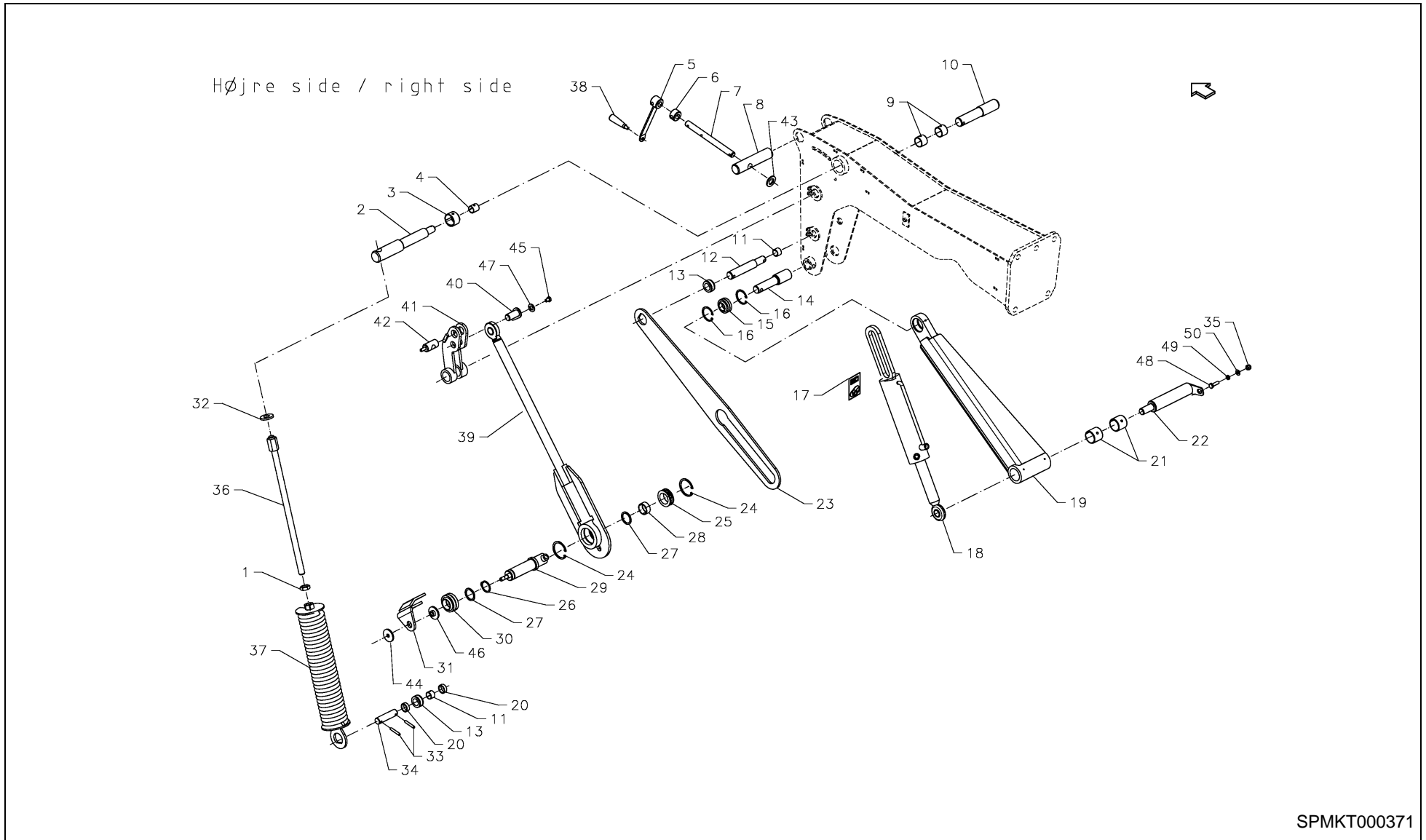
SPMKT000370



EXTRA 832T / Spring, hydraulic cylinder, LH

PosNo.	Part No.	Qty.	Description	Remark
1	KG01052661	1	HEX. NUT M22 8	
2	KT9043100061	1	SHAFT	
3	KT99158087	1	BUSHING	
4	KT99158066	1	BUSH PM 2530 DX	
5	KT9048100061	1	SHAFT	
6	KT9041810086	1	ARM, LH	
7	KT9048600061	1	SHAFT	
8	KG01128700	4	CIRCLIP-B 47 X 1.75	
9	KT99160045	2	BEARING Ø 25 GE25FO 2RS	
10	KT99413150	1	GASKET KIT	
11	KG01192000		TENSION PIN 8X50	
12	KT9050400061	1	COTTER BOLT	
13	KT9046800061	3	SPACER	
14	KT99158065	1	GLACIER BUSHING PM 2520 DX	
15	KT6244500061	1	BEARING	
16	KT9050300061	1	COTTER BOLT	
17	KT68312000	1	WASHER (DISC)	
18	KT9051310061	1	SPINDLE	
19	KT9072700064	1	SPRING N=34- Ø15 MM	
20	KT9050620086	1	HYDRAULIC CYLINDER	

EXTRA 832T / Spring, hydraulic cylinder, RH



SPMKT000371



EXTRA 832T / Spring, hydraulic cylinder, RH

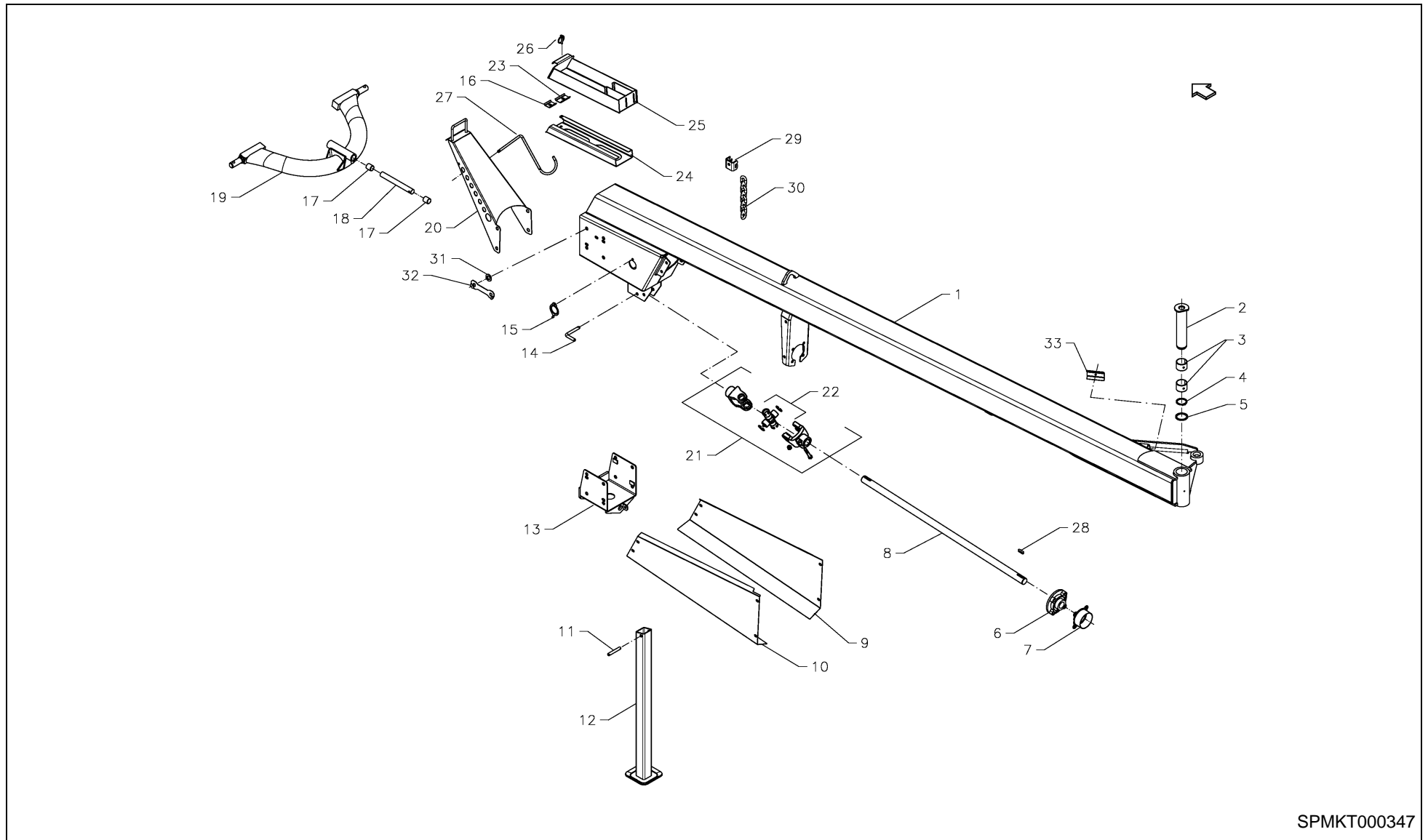
PosNo.	Part No.	Qty.	Description	Remark
1	KG01052661		HEX. NUT M22 8	
2	KT9043100061	1	SHAFT	
3	KT99158087	1	BUSHING PM 4530 DX	
4	KT99158066	1	BUSH PM 2530 DX	
5	KT9042410061	1	HANDLE	
6	KT9042200061	1	RING	
7	KT9042300061	1	SPINDLE	
8	KT9042900061	1	SHAFT	
9	KT99158077	2	GLACIER BUSH PM 3530 DX	
10	KT9042800061	1	SHAFT	
11	KT99158065	2	GLACIER BUSHING PM 2520 DX	
12	KT9048500061	1	COTTER BOLT	
13	KT6244500061	2	BEARING	
14	KT9043010061	1	SHAFT	
15	KT99160030	1	RADIAL BEARING Ø30	
16	KG01129300	2	CIRCLIP-B 55 X 2	
17	KT99413149	1	GASKET KIT	
18	KT9050520086	1	HYDRAULIC CYLINDER	
19	KT9041710086	1	ARM VICON	
20	KT9046800061	2	SPACER	
21	KT99158088	2	GLACIER BUSHING PM 4545 DX	
22	KT9050210061	1	COTTER BOLT	
23	KT9042500061	1	ARM	
24	KG01130300	2	CIRCLIP-B 68 X 2.5	
25	KT9042600061	1	BEARING	
26	KG01109800		CIRCLIP-A 40 X 1.75	
27	KT99350531		SUPPORTING DISC	
28	KT99158115	1	GLACIER BUSHING PM 4020 DX	
29	KT9118900086	1	HYDRAULIC CYLINDER	
30	KT99160040	1	RADIAL BEARING Ø40	
31	KT9043220061	1	LATCH	
32	KT68312000	1	WASHER (DISC)	
33	KT99330483		8 -65 PIN	
34	KT9050300061	1	COTTER BOLT	
35	KG01064161		LOCK NUT M10 8	
36	KT9051310061	1	SPINDLE	
37	KT9072600064	1	SPRING N=39 - Ø13 MM	
38	KT99458244	1	HANDLE	
39	KT9041920061	1	ARM	
40	KT9051500061	1	COTTER BOLT	

EXTRA 832T / Spring, hydraulic cylinder, RH



PosNo.	Part No.	Qty.	Description	Remark
41	KT9042000086	1	ARM	
42	KT9042700061	1	THREAD PIECE	
43	KT5616500061	3	WASHER	
44	KT9126000061	1	DISC	
45	KG00473861		HEX. SCREW M10X14 8.8	
46	KT9125900061	1	BUSHING	
47	KT99333832	1	LOCK WASHER 10,3 X 16,6 NORDLOCK	
48	KG00474361		HEX. SCREW M10X30 8.8	
49	KT3130700061	1	RING	
50	KG01267461		WASHER M10	

EXTRA 832T / Drawbar



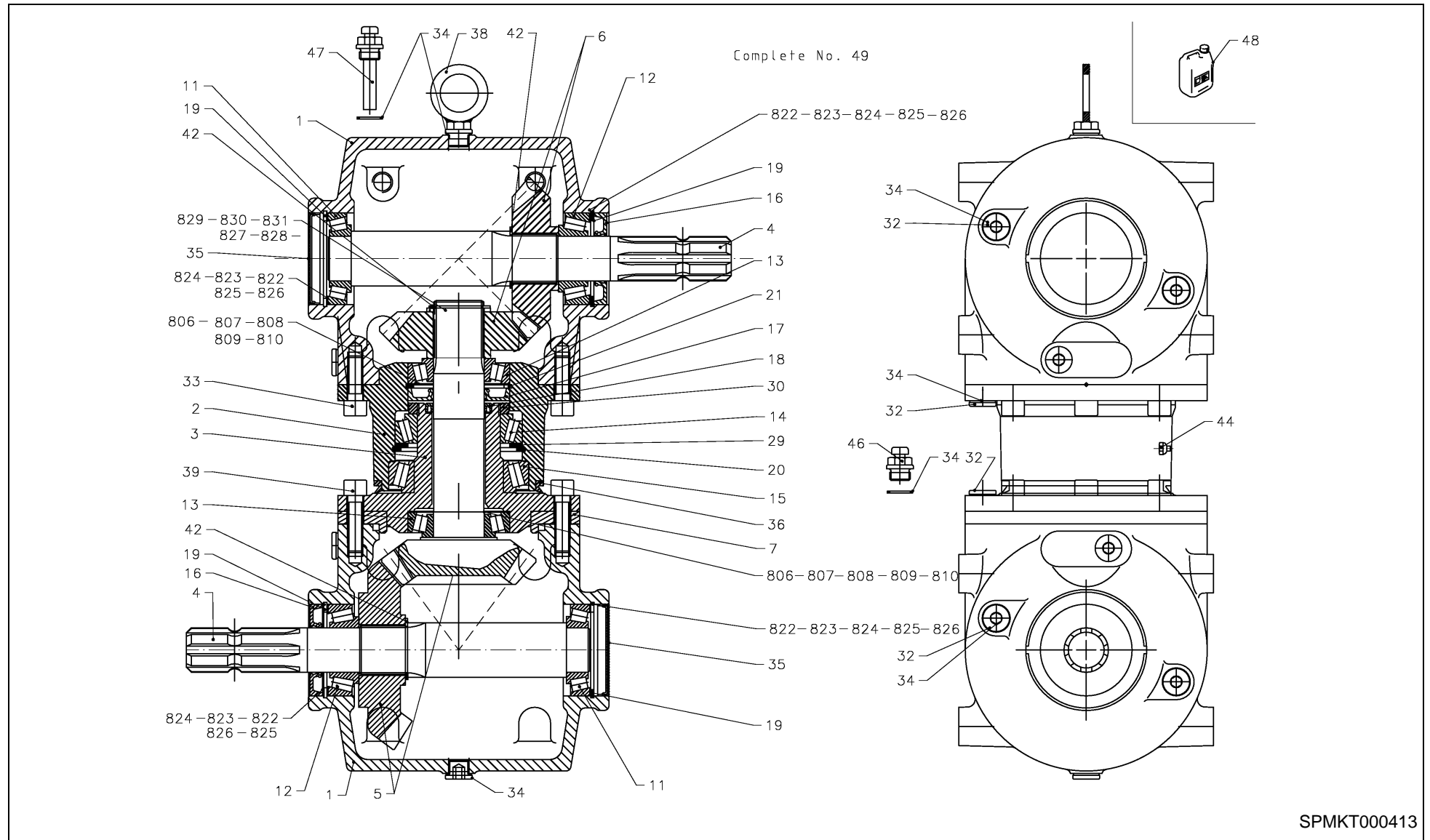
SPMKT000347



EXTRA 832T / Drawbar

PosNo.	Part No.	Qty.	Description	Remark
1	KT9033100086	1	DRAWBAR	
2	KT6823110061	1	SHAFT	
3	KT99158090	2	BUSH	
4	KG01110400	1	CIRCLIP-A 50 X 2	
5	KT99350537	1	WASHER	
6	KT99125012	1	FLANG BEARING	
7	KT9057600061	1	BRACKET	
8	KT9033200001	1	SHAFT	
9	KT9033300086	1	GUARD, RH	
10	KT9033400086	1	GUARD, LH	
11	KT6056800061	1	COTTER BOLT	
12	KT3877810086	1	SUPPORT LEG	
13	KT9032500086	1	CONSOLE	
14	KT3626300061	1	PIN BOLT	
15	KT2844700061	2	COVER	
16	KT9075100061	1	PLATE	
17	KT99158066	2	BUSH PM 2530 DX	
18	KT3877610061	1	SHAFT	
19	KT3877520086	1	YOKE	
20	KT9074810086	1	CONSOLE	
21	KT99244485	1	UNIVERSAL JOINT, COMPLETE	
22	KT99244498	1	CROSS, COMPLETE	
23	KT9075000061	1	PLATE	
24	KT9074600086	1	CONSOLE	
25	KT9074700086	1	TOOL BOX	
26	KT99331901	1	LINCH PIN Ø 6	
27	KT9074900061	1	HOOK	
28	KG01309000	2	KEY 10X8X45	
29	KT9088100061	1	BRACKET	
30	KT9089900061	1	CHAIN FOR GUARD (750 MM.)	
31	KT99333833	8	LOCK WASHER 13,0-19,5 NORDLOCK (NL12)	
32	KT9117700061	4	LOCK PLATE	
33	KT9117600061	1	FIXTURE	

EXTRA 832T / Swivel gear, complete

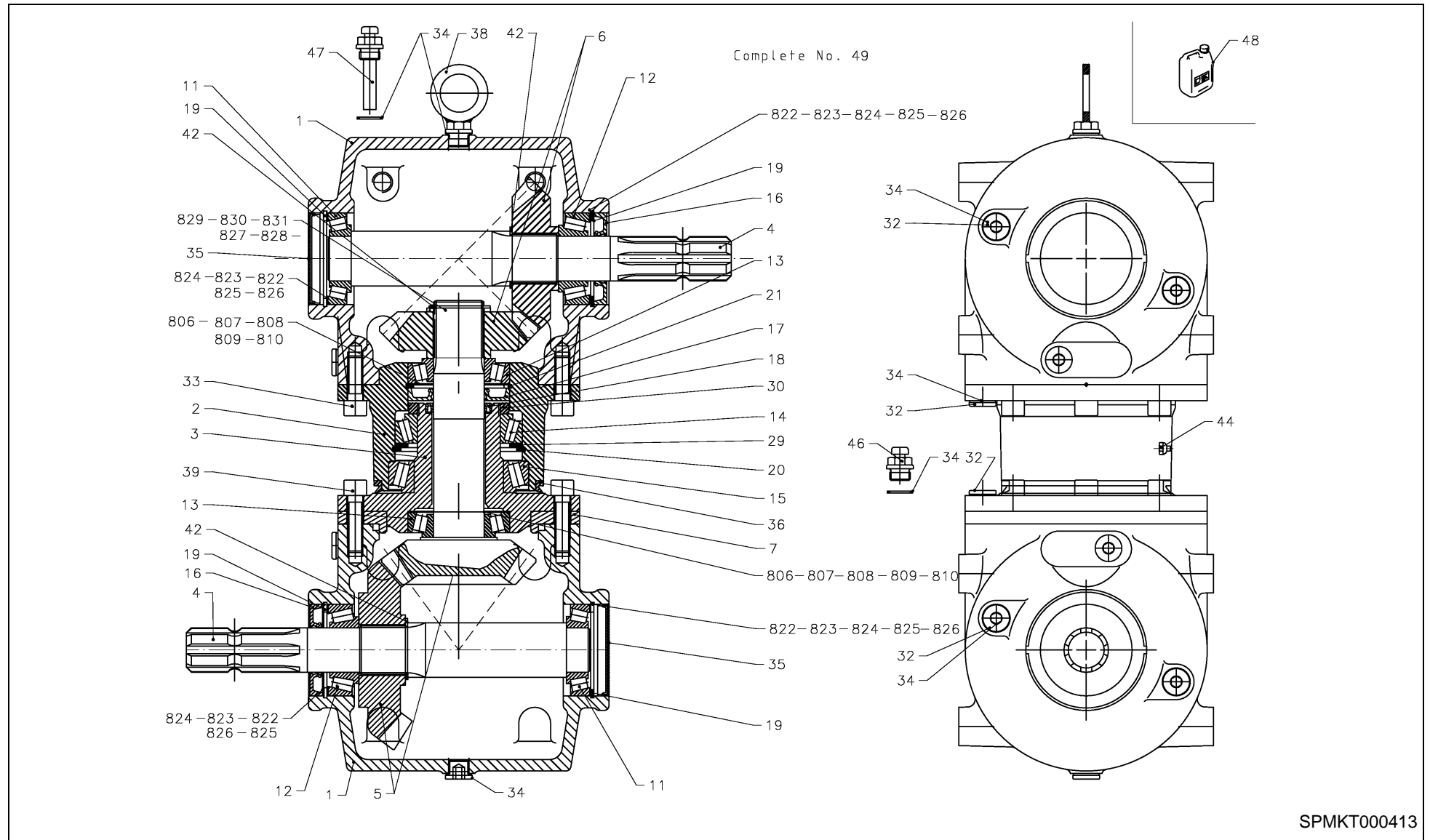




EXTRA 832T / Swivel gear, complete

PosNo.	Part No.	Qty.	Description	Remark
1	KT99255100	2	GEAR BOX CASING	
2	KT99255101	1	GEAR BOX CASING	
3	KT99255102	1	GEAR BOX CASING	
4	KT99255103	2	SHAFT	
5	KT99255104	1	GEAR WHEEL SET	
6	KT99255105	1	GEAR WHEEL SET	
7	KT99255106	1	SPACER	
11	KT99255107	2	ROLLER BEARING	30207 A
12	KT99255108	2	ROLLER BEARING	32207 A
13	KT99255109	2	ROLLER BEARING	30207 A
14	KT99255110	1	ROLLER BEARING	32013 XA
15	KT99255111	2	ROLLER BEARING	32014 XA
16	KT99255112	2	SEALING RING	35x72x10
17	KT99255113	1	SEALING RING	40x80x10
18	KT99255114	1	SEALING RING	40x52x7
19	KT99255115	4	CIRCLIP	72x2,5
20	KT99255116	2	CIRCLIP	100x3,0
21	KT99255117	1	CIRCLIP	80x2,5
29	KT99255118	1	SPACER	90x100x3,5
30	KT99255119	1	RING	M65x2
32	KT99255120	8	PLUG	
33	KT99255121	6	HEXAGON SOCKET HEAD CAP SCREW	M12x35
34	KT99255122	12	GASKET	ø16xø20
35	KT99255123	2	CAP	ø72x9
36	KT99255124	1	SEALING RING	
38	KT99255125	1	BOLT	
39	KT99255126	6	HEXAGON SOCKET HEAD CAP SCREW	M 12x45
42	KT99255127	3	CIRCLIP	39x1,75
44	KT99255128	1	GREASE NIPPLE	
46	KT99255129	1	VALVE	
47	KT99255229	1	VALVE	
48	KT10101000	1	CAN W. 1 L. OIL REPLACES 99.417.577	
49	KT99255001	2	SWIVEL GEAR, COMPLETE	
806	KT99255131	2	SHIM	72x80x0,15
807	KT99255132	2	SHIM	72x80x0,1
808	KT99255133	2	SHIM	72x80x0,3
809	KT99255134	2	SHIM	72x80x0,5
810	KT99255135	2	SHIM	70x80x1,0
822	KT99255136	4	SHIM	62x72x0,15
823	KT99255137	4	SHIM	62x72x0,1

EXTRA 832T / Swivel gear, complete

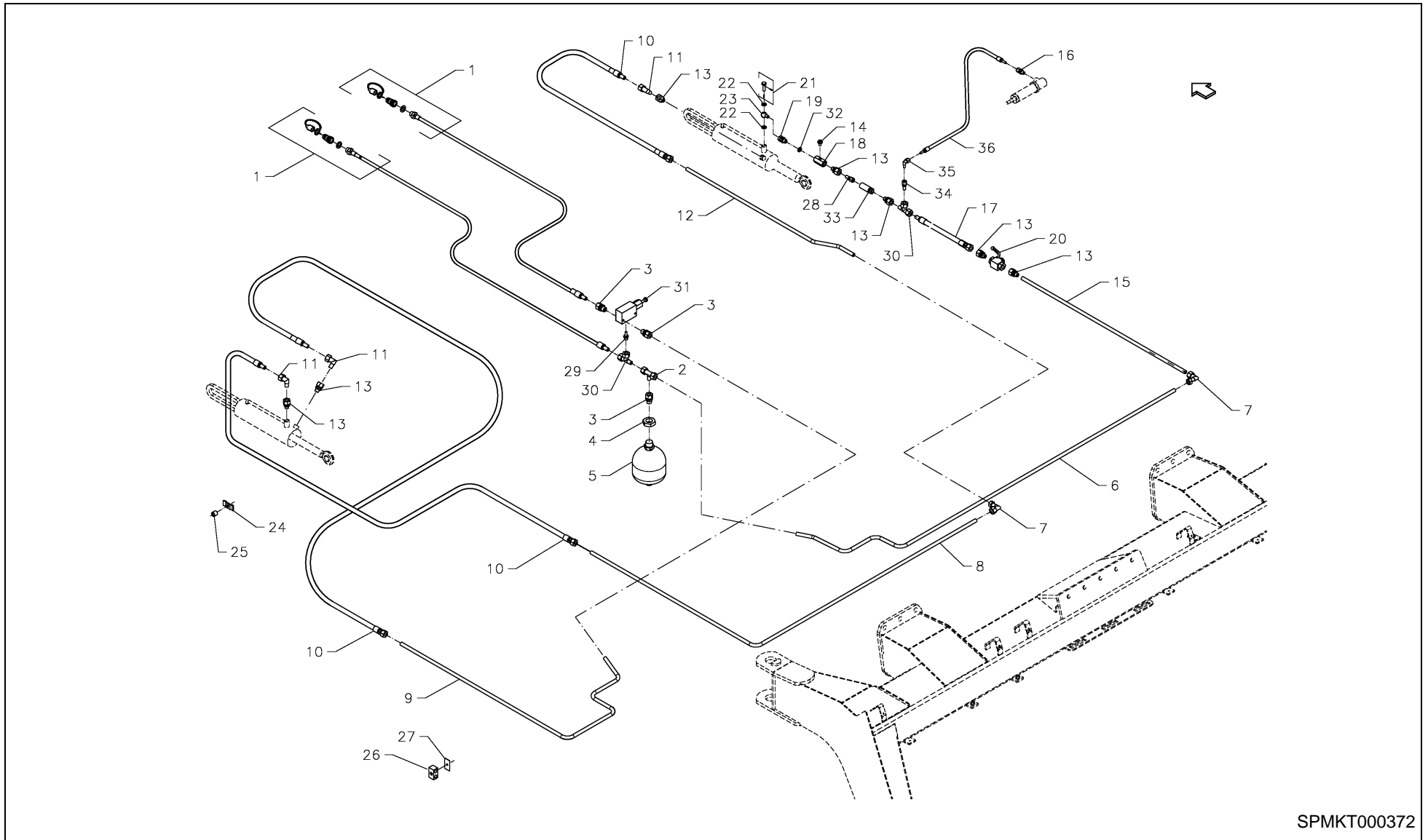




EXTRA 832T / Swivel gear, complete

PosNo.	Part No.	Qty.	Description	Remark
824	KT99255138	4	SHIM	62x72x0,3
825	KT99255139	4	SHIM	62x72x0,5
826	KT99255140	2	SHIM	62x72x1,0
827	KT99255141	2	SHIM	40x50x2,0
828	KT99255142	1	SHIM	40x50x0,5
829	KT99255143	1	SHIM	40x50x0,3
830	KT99255144	1	SHIM	40x50x0,1
831	KT99255145	1	SHIM	40x50x0,15

EXTRA 832T / Hydraulic



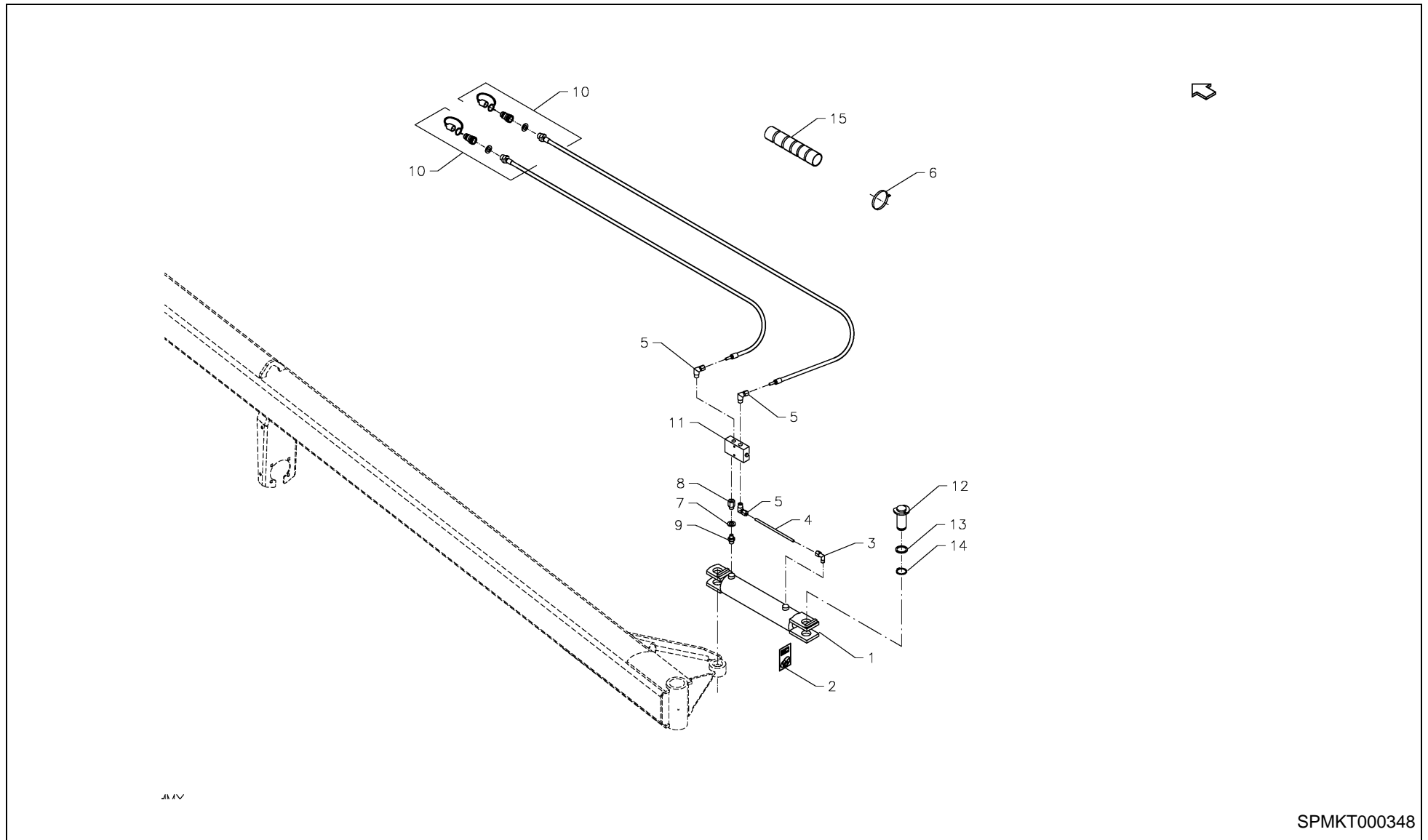
SPMKT000372



EXTRA 832T / Hydraulic

PosNo.	Part No.	Qty.	Description	Remark
1	KT90667000	2	HYDRAULIC HOSE L= 6370 MM	
2	KT99404242	1	ADJUST. T-CONNECTION Ø 15	
3	KT99402113	3	SCREWED CONNECTION Ø15-1/2"	
4	KT99307775	1	COUNTER NUT M33 X 1,5	
5	KT99408914	1	ACCUMULATOR 0,75 LTR.	
6	KT90668000	1	HYDRAULIC PIPE	
7	KT99403015	2	ANGLE SCREW CAP Ø 15	
8	KT90672000	1	HYDRAULIC PIPE	
9	KT90675100	1	HYDRAULIC PIPE L=1940MM	
10	KT90670000	3	HYDRAULIC HOSE	
11	KT99403211	3	ANGLE SCREW-JOINT Ø15-3/8"	
12	KT90671000	1	HYDRAULIC PIPE	
13	KT99402114	7	SCREWED CONNECTION Ø15-3/8"	
14	KT99402904	1	PLUG 1/4	
15	KT90669000	1	HYDR. TUBE 15X1030	
16	KT99402112	1	SCREWED CONNECTION	
17	KT90906100	1	HYDRAULIC HOSE L=786 MM	
18	KT9065800061	1	STRAIGHT CONNECTION	
19	KT99402921		ADAPTOR 3/8" BSP - 3/8" BSP	
20	KT99407410	1	BLOCK BALL VALVE 3/8	
21	KT67602000	1	BANJOBOLT,KPL.	
22	KT99428522	2	COPPER DISC	
23	KT99402941	1	BANJO CONNECTION	
24	KT2995000061	2	BRACKET	
25	KT3349300061	2	BUSHING	
26	KT99408934	12	DOUBLE PIPE HOLDER	
27	KT99408943	7	TOP PLATE F. DOBB. PIPE HOLDER	
28	KT99402922	1	TUBE CONNECTION Ø15-3/8"	
29	KT99402914	1	PIPE SOCKET	
30	KT99404018	2	L-SCREW JOINT Ø 15	
31	KT99407540	1	PRESSURE COMPENSATOR VALVE DINOIL VPDB1	
32	KD0300863	1	3/8 BSP DOWTY WASHER LD	
33	KT99407541	1	SEQUENTIAL VALVE 75 BAR	
34	KT99402927	1	REDUCTION BUSH	
35	KT99403204	1	ANGLE SCREW-JOINT	
36	KT91261000	1	HYDRAULIC HOSE L=830 MM	

EXTRA 832T / Hydraulic, drawbar

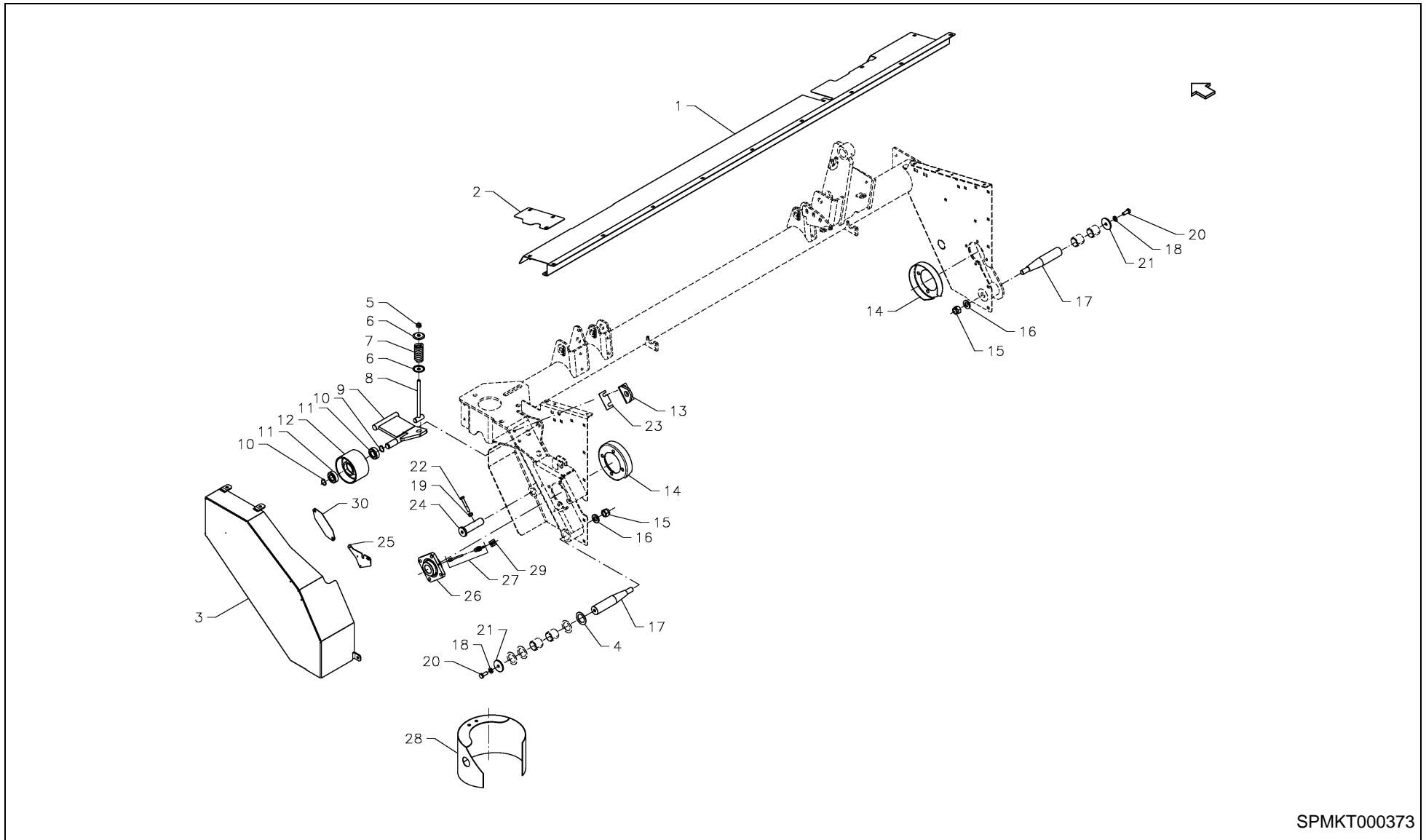




EXTRA 832T / Hydraulic, drawbar

PosNo.	Part No.	Qty.	Description	Remark
1	KT9040300086	1	HYDRAULIC CYLINDER	
2	KT99413144	1	GASKET KIT	
3	KT99403220	1	ANGLE SCREW-JOINT	
4	KT90678000	1	HYDRAULIC PIPE	L = 203 mm
5	KT99403221	3	ANGLE SCREW-JOINT	
6	KT99352042	2	HOSE BAND Ø44/Ø56	
7	KT99428514	1	SEALING WASHER PP458	
8	KT49143000	1	ADAPTOR 3/8" - 1/4"	
9	KT99402352	1	ADAPTOR 1/4" - 1/4" RG	
10	KT90677000	2	HYDRAULIC HOSE L= 6120 MM	
11	KT99407008	1	SEALING	
12	KT9051210061	2	COTTERBOLT	
13	KT56227000	2	SUPPORTING DISC	
14	KG01109300	2	CIRCLIP-A 35 X 1.5	
15	KT79459000	2	FLEXIBLE COVER L=750 MM.	

EXTRA 832T / Secondary frame

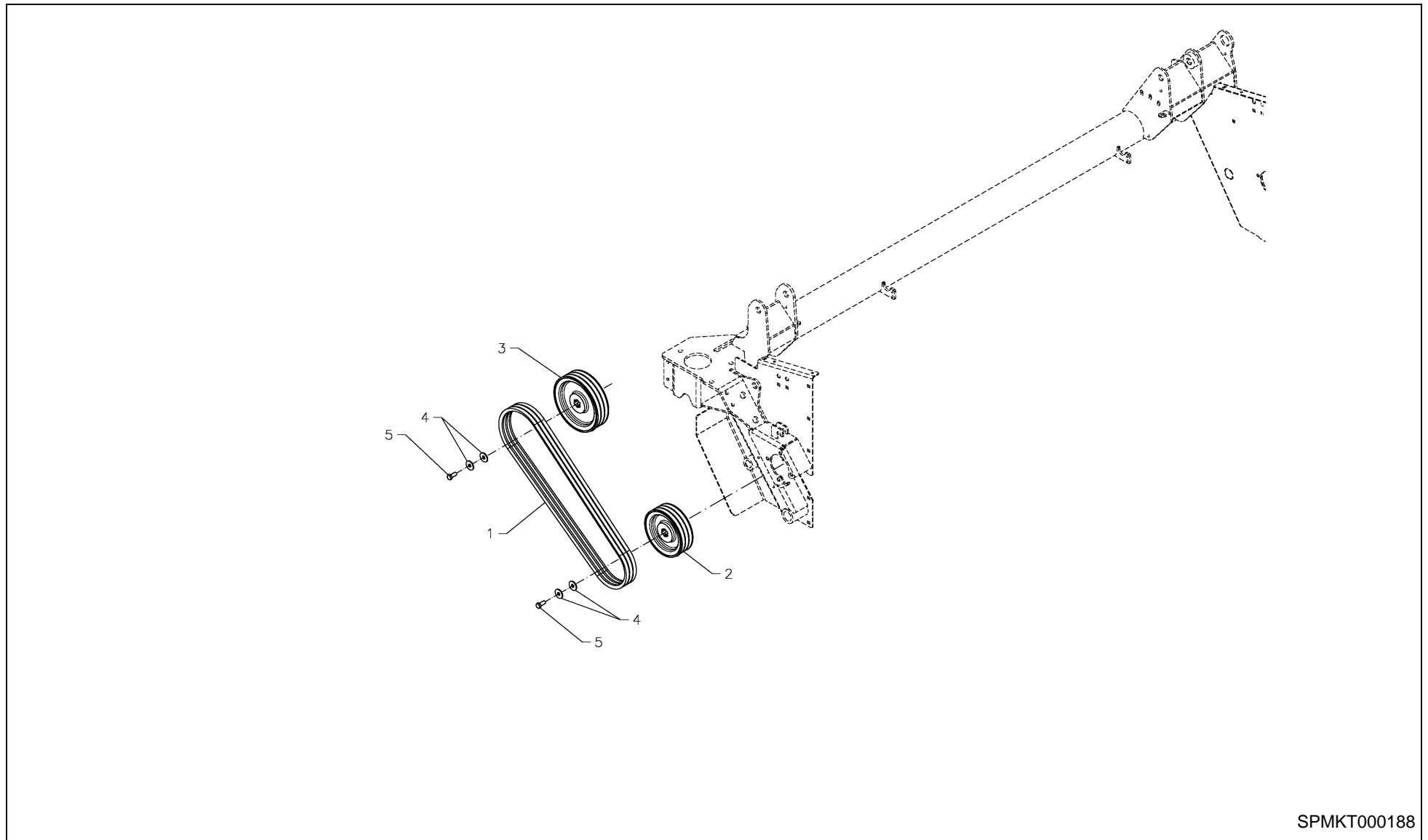


SPMKT000373



EXTRA 832T / Secondary frame

PosNo.	Part No.	Qty.	Description	Remark
1	KT9049200094	1	PLATE 3,2M	
2	KT9047400086	1	PLATE	
3	KT9034400094	1	GUARD	
4	KT9079000061	4	SPACER	
5	KG01064261		LOCK NUT M12 8	
6	KT9063000061	2	WASHER	
7	KT4837700061	1	SPRING	
8	KT9053600061	1	SPINDLE	
9	KT9034910086	1	CONSOLE	
10	KG01108300	2	OUTER RETAINING RING-A 25 X 1.2	
11	KG01378900	2	BALL BEARING 6205-2RS	
12	KT6245600001	1	JOCKEY ROLLER	
13	KT9053510061	1	BRACKET	
14	KT9034510061	2	GUARD	
15	KG01064661	2	LOCK NUT M20 8	
16	KT5882400061	2	WASHER	
17	KT9046900061	2	SHAFT	
18	KG01267561		WASHER M12	
19	KG01064161		LOCK NUT M10 8	
20	KG00476561		HEX. SCREW M12X30 8.8	
21	KT5874000061	2	WASHER	
22	KG00355761		HEX. BOLT M10X65 8.8	
23	KT9078900061	4	SHIM	
24	KT9035200061	1	SHAFT	
25	KT9087600061	1	BRACKET	
26	KT9085300097	2	BEARING, COMPLETE	
27	KT69540000		NYLON PIPE 6X3 MM, L = 365 MM	
28	KT9081010094	1	GUARD LH	
29	KT6953600061	1	BRACKET	
30	KT9127600061	1	COVER PLATE	



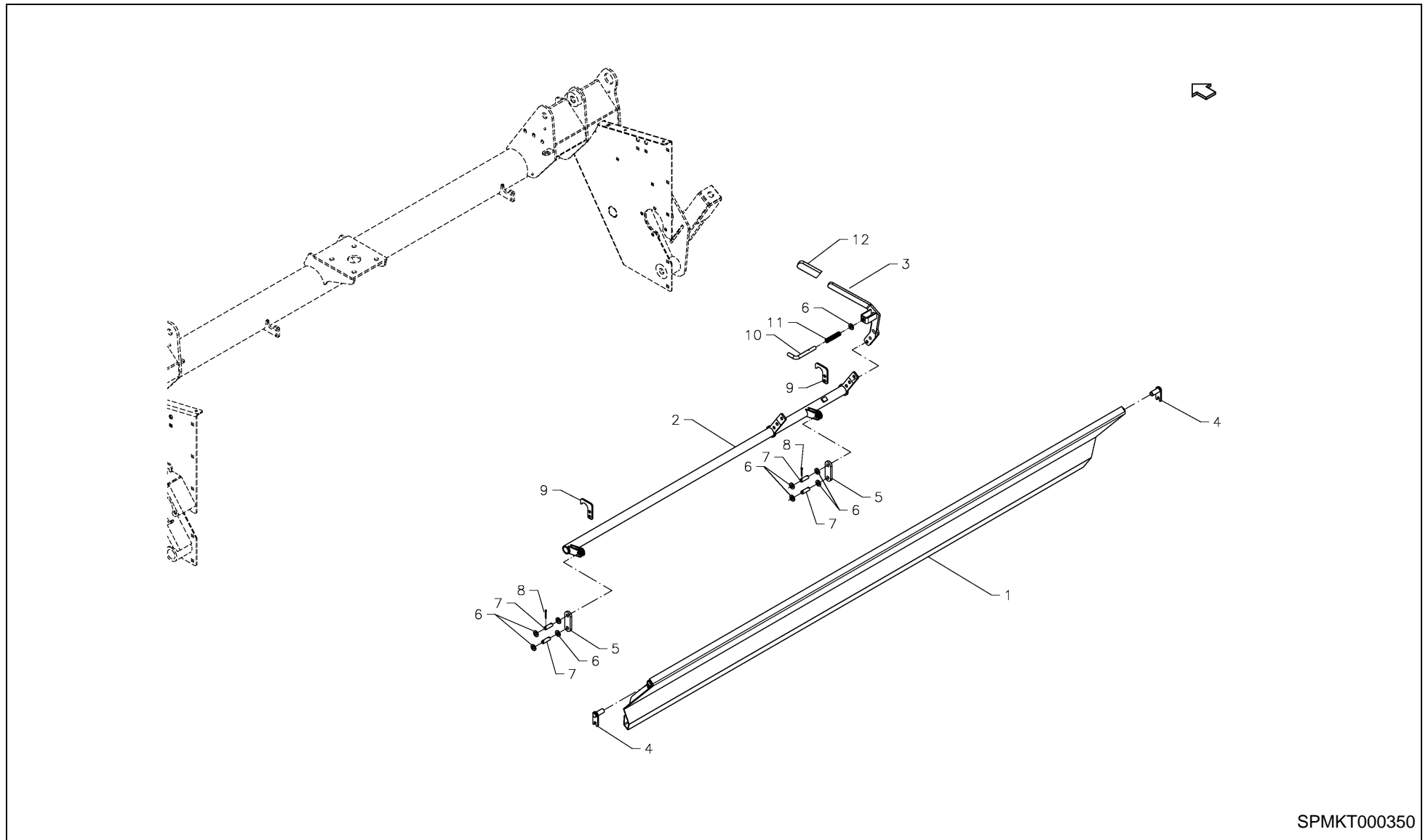
SPMKT000188



EXTRA 832T / Transmission

PosNo.	Part No.	Qty.	Description	Remark
1	KT99202435	1	SET OF V-BELTS LW 1860 (SET = 3 PCS.)	
2	KT6828400001	1	V-BELT PULLEY 3 SPB Ø190 MM	
3	KT6828300001	1	V-BELT PULLEY 3 SPB Ø225 MM	
4	KT5567000001	4	WASHER	
5	KG00476561	2	HEX. SCREW M12X30 8.8	

EXTRA 832T / Conditioner plate

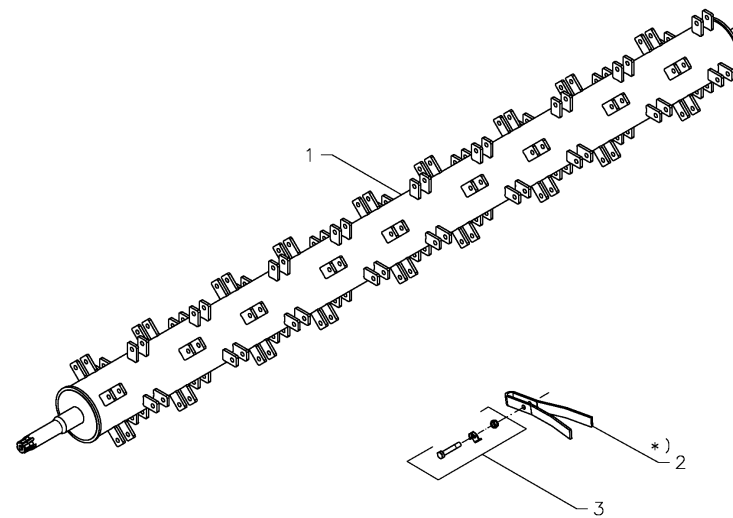


SPMKT000350



EXTRA 832T / Conditioner plate

PosNo.	Part No.	Qty.	Description	Remark
1	KT9118000086	1	CONDITIONER PLATE 3,2 M	
2	KT9046210086	1	REGULATING ROD 3,2 M	
3	KT9046110086	1	HANDLE	
4	KT9046400061	2	COTTER BOLT	
5	KT9034700086	2	CONNECTING LINK	
6	KG01267561		WASHER M12	
7	KT9046300061	4	COTTER BOLT	
8	KG01251561	8	SPLIT PIN 4X25 ST	
9	KT9034800061	2	LOCK PLATE	
10	KT6827100061	1	COTTER BOLT	
11	KT1769300061	1	SPRING	
12	KT38218000	1	PLASTICHANDLE	



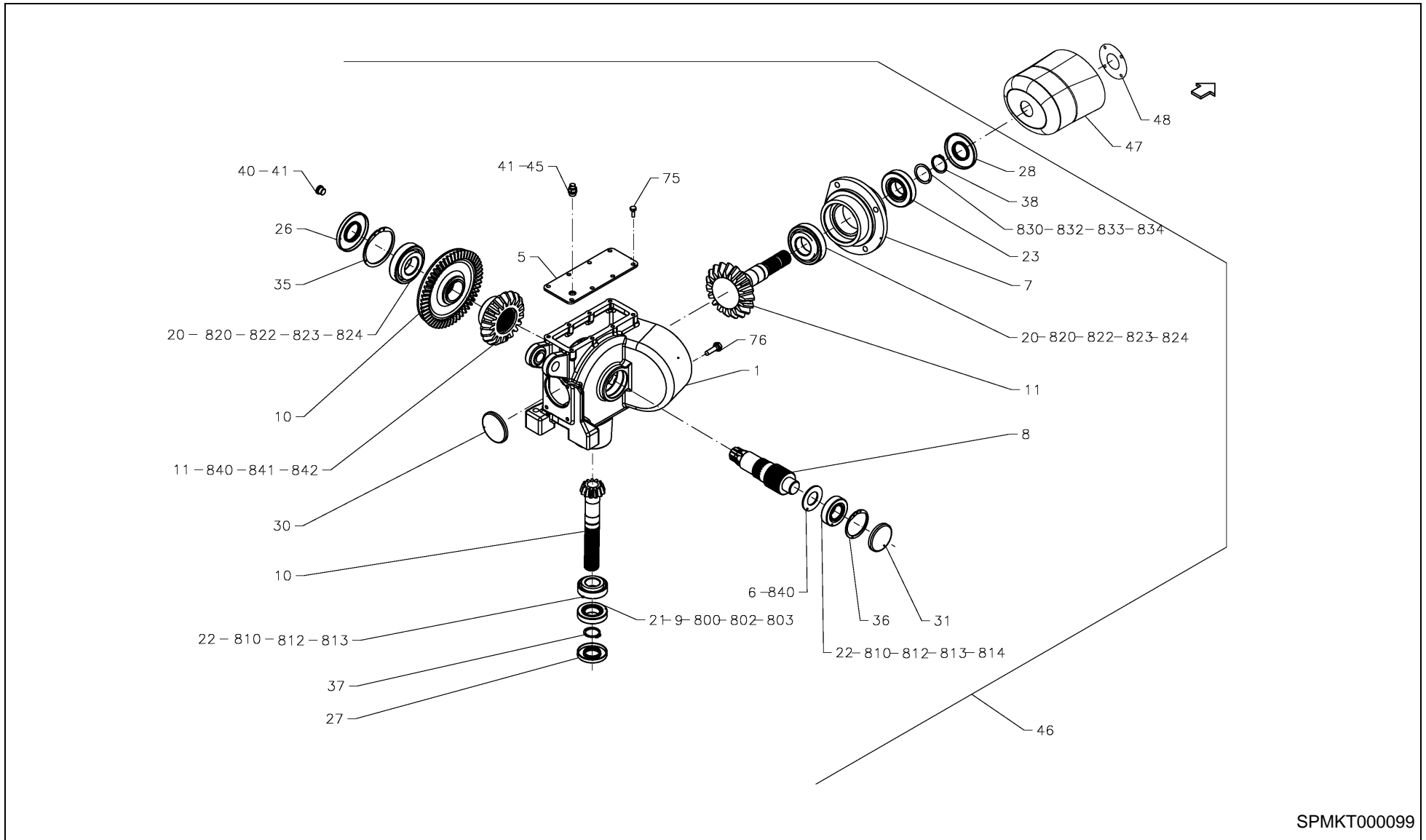
*) Total number on machine : 72 pcs.



EXTRA 832T / Rotor

PosNo.	Part No.	Qty.	Description	Remark
1	KT9030020086	1	ROTOR 3,2 M	
2	KT90276000	1	SPARE PARTS SET	10 pcs/set
3	KT90278000	1	BOLT KIT	10 pcs/set

EXTRA 832T / Main gear box



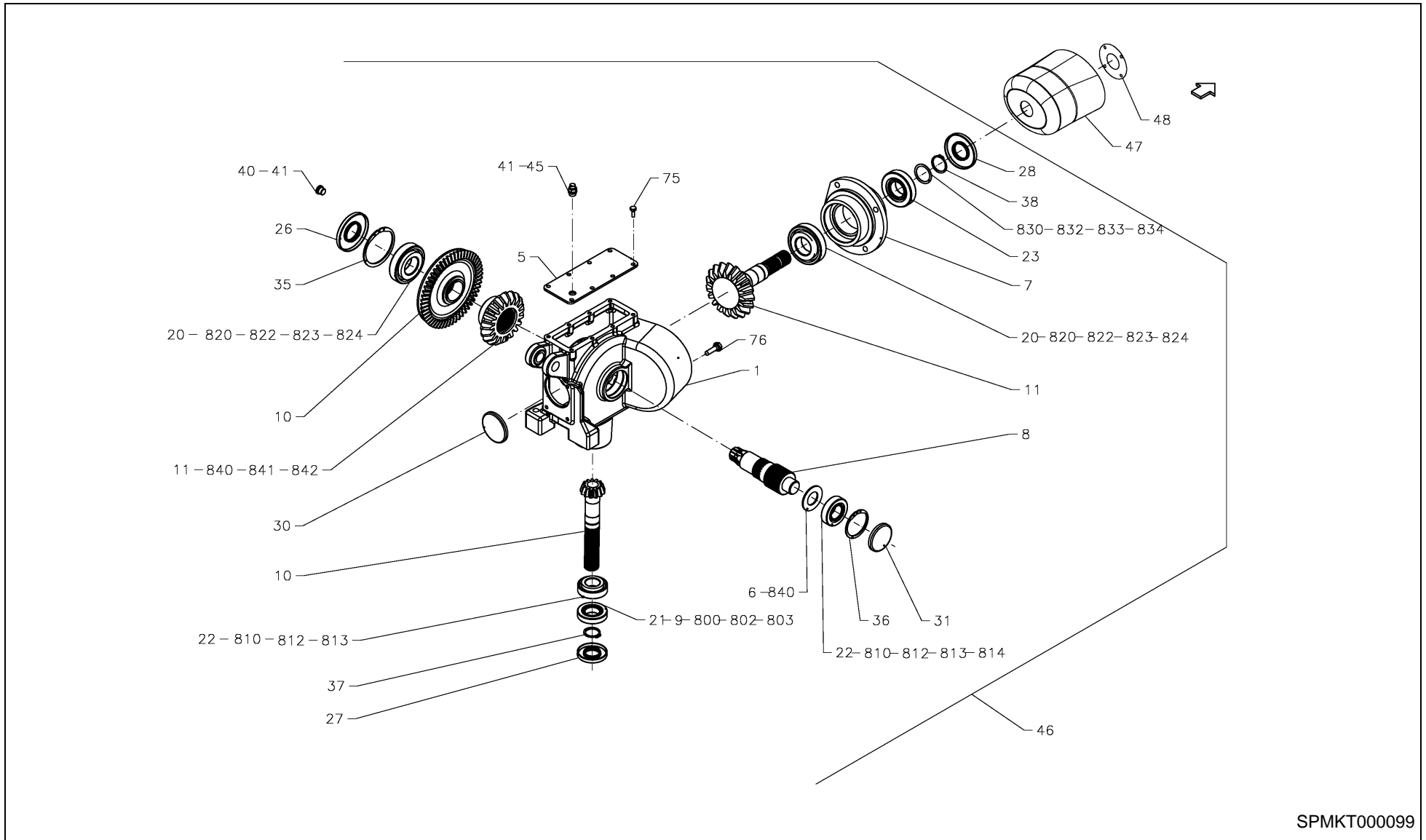
SPMKT000099



EXTRA 832T / Main gear box

PosNo.	Part No.	Qty.	Description	Remark
1	KT99255147	1	GEAR BOX CASING	
5	KT99255148	1	COVER	
6	KT99255149	1	SPACER	
7	KT99255150	1	FLANGE	
8	KT99255151	1	SHAFT	
9	KT99255152	1	RING	
10	KT99255153	1	GEAR WHEEL SET	
11	KT99255154	1	GEAR WHEEL SET	
20	KT99255155	2	ROLLER BEARING	30309A
21	KT99255107	1	ROLLER BEARING	30207A
22	KT99255108	2	ROLLER BEARING	32207A
23	KT99255156	1	ROLLER BEARING	30308A
26	KT99255157	1	SEALING RING	45x100x10
27	KT99255158	1	SEALING RING	35x72x10
28	KT99255159	1	SEALING RING	40x90x10
30	KT99255160	1	CAP	80x8
31	KT99255123	1	CAP	72x9
800	KT99255165	2	SHIM	35x45x0,1
802	KT99255166	1	SHIM	35x45x0,3
35	KT99255116	1	CIRCLIP	100x3,0
803	KT99255167	1	SHIM	35x45x0,5
36	KT99255115	1	CIRCLIP	72x2,5
37	KT99255161	1	CIRCLIP	35x2,5
38	KT99255162	1	CIRCLIP	40x1,75
40	KT99255120	2	PLUG	
41	KT99255122	3	GASKET	∅16x∅20
810	KT99255137	4	SHIM	62x72x0,1
812	KT99255138	2	SHIM	62x72x0,3
45	KT99255129	1	VALVE	
813	KT99255139	2	SHIM	62x72x0,5
46	KT99255003	1	MAIN GEAR BOX, COMPLETE	
814	KT99255140	1	SHIM	62x72x1,0
47	KT99244506	1	GUARD	
48	KT9062900061	1	DISC	
820	KT99255168	4	SHIM	90x100x0,1
822	KT99255169	2	SHIM	90x100x0,3
823	KT99255170	2	SHIM	90x100x0,5
824	KT99255171	2	SHIM	90x100x1,0
830	KT99255144	2	SHIM	40x50x0,1
832	KT99255143	1	SHIM	40x50x0,3

EXTRA 832T / Main gear box



SPMKT000099



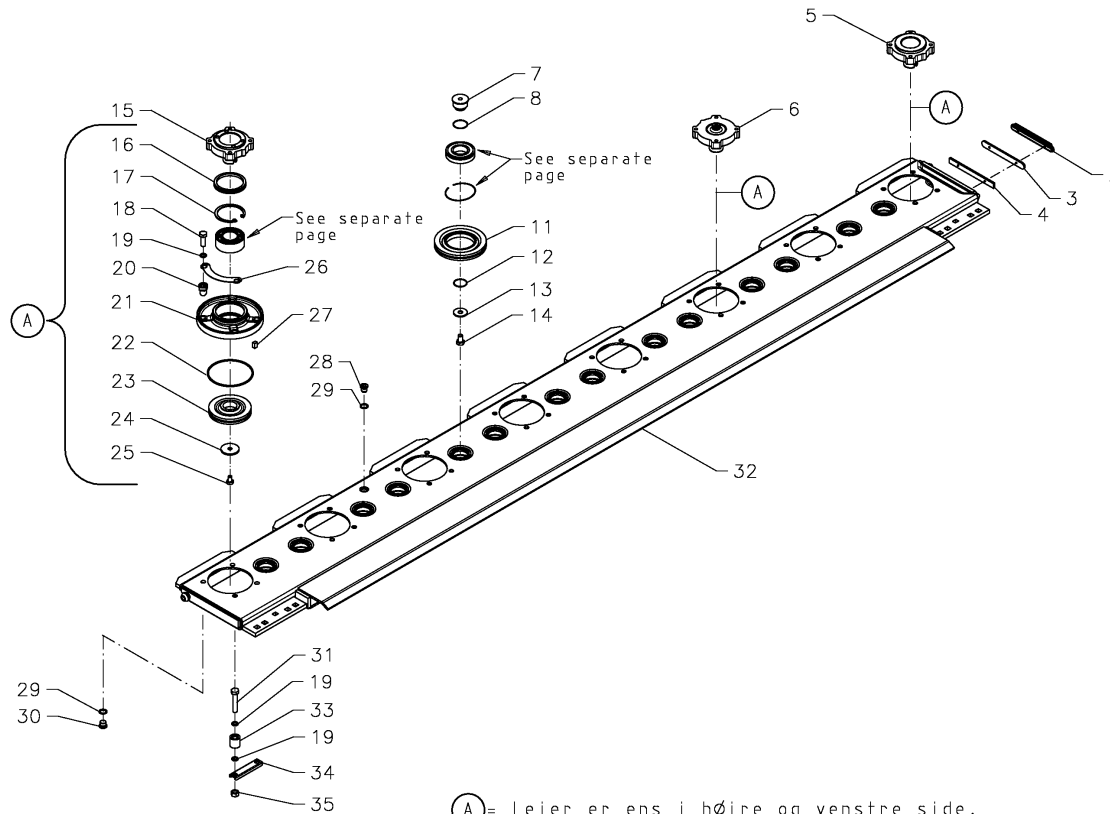
EXTRA 832T / Main gear box

PosNo.	Part No.	Qty.	Description	Remark
833	KT99255142	1	SHIM	40x50x0,5
834	KT99255172	1	SHIM	40x50x1,0
840	KT99255173	2	SHIM	60x75x0,1
841	KT99255174	2	SHIM	60x75x0,3
842	KT99255175	2	SHIM	60x75x0,5
75	KT99255163	8	BOLT	M 8x20
76	KT99255164	4	BOLT	M 12x40

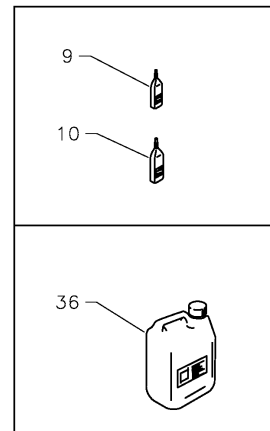
EXTRA 832T / Cutterbar



Complete No. 1



(A) = Lejer er ens i højre og venstre side.
The bearings in the RH and LH side are identical.

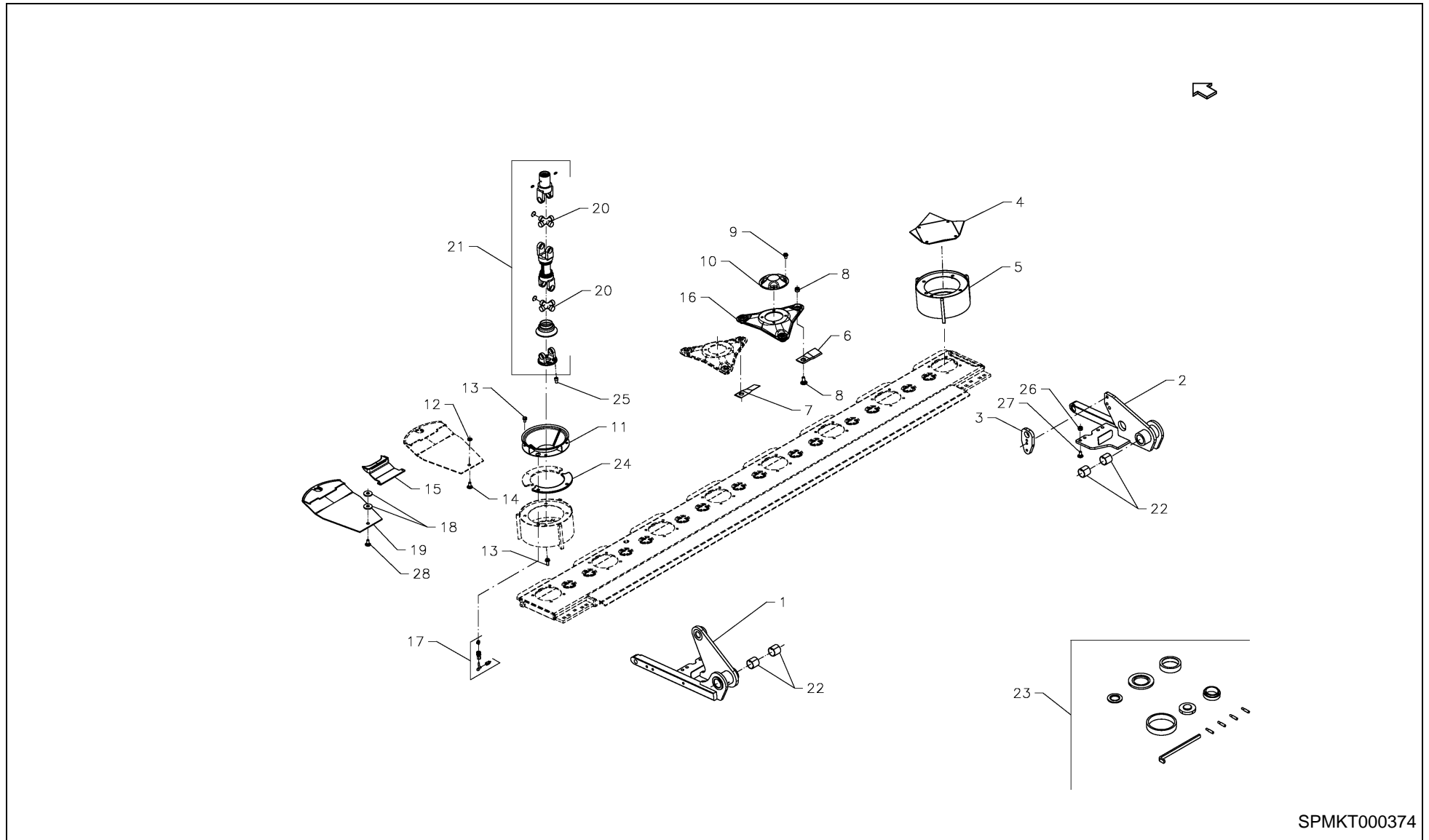




EXTRA 832T / Cutterbar

PosNo.	Part No.	Qty.	Description	Remark
1	KT5520200086	1	8-DISC CUTTERBAR, COMPLETE	
2	KT5564900061	1	COVER	
3	KT55651000	1	GASKET	
4	KT5565000001	1	PATCH	
5	KT5512600001	1	HUB	
6	KT5512300001	6	HUB	
7	KT5564400001	14	PIVOT PIN	
8	KT99420238	14	OIL SEAL	
9	KT99457134	1	LOCTITE TUBE 3 G	
10	KT99457135	1	LOCTITE TUBE 10 G	
11	KT5564110001	14	GEAR WHEEL	
12	KT99420125	14	34.2-3 OIL SEAL	
13	KT5567000001	14	WASHER	
14	KG00476261	14	HEX. SCREW M12X20 8.8	
15	KT5512400001	1	HUB	
16	KT99421068	8	SEALING RING	
17	KG01130900	8	CIRCLIP-B 80 X 2.5	
18	KG01840800	28	HEX. SCREW M12X35 10.9 4017	
19	KT99420109	36	OIL SEAL	
20	KT5564610001	28	NUT	
21	KT5512200001	8	CASING	
22	KT99420286	8	OIL SEAL	
23	KT5574900001	8	GEAR WHEEL	
24	KT5515400001	8	WASHER 11/50-4	
25	KG00473961		HEX. SCREW M10X16 8.8	
26	KT5572910061	16	LOCK PLATE	
27	KT99354122	8	KEY 10-8-16	
28	KT99462633	1	PLUG	
29	KT99462718	2	DISC	
30	KT99458109	2	TUBE PLUG	
31	KT99302819	4	STEEL BOLT M12X65	
32	KT5512900086	1	8-DISC CUTTERBAR	
33	KT5576600001	4	SPACER BUSHING	
34	KT5576700001	2	LOCK PLATE	
35	KG01840900	4	HEX. NUT M12 10 4032	
36	KT10105000	1	OIL CAN 5 LTR.	

EXTRA 832T / Transmission, cutterbar

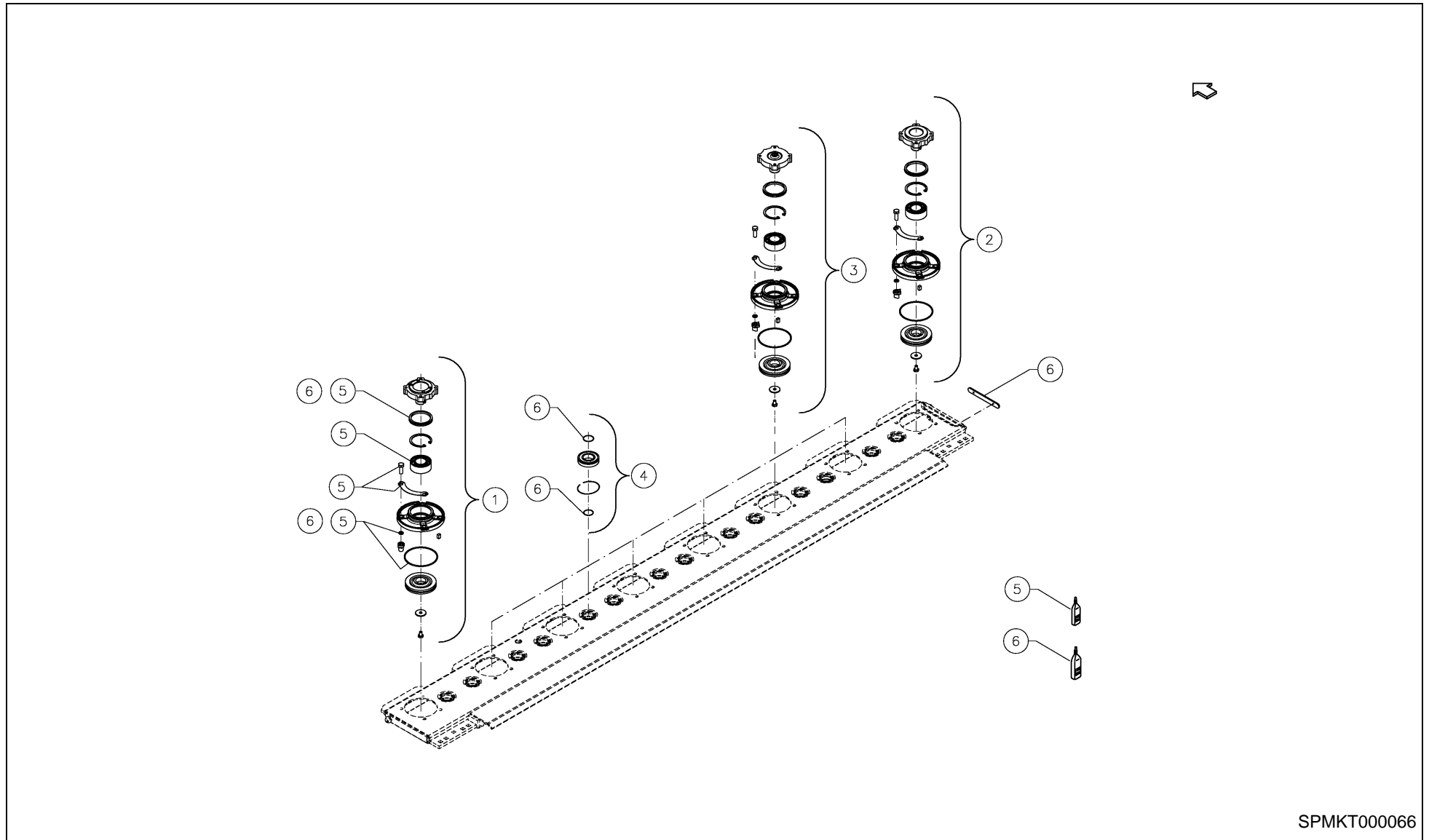


SPMKT000374



EXTRA 832T / Transmission, cutterbar

PosNo.	Part No.	Qty.	Description	Remark
1	KT9030800086	1	CONSOLE, LH	
2	KT9030900086	1	CONSOLE, RH	
3	KT9031020061	1	BRACKET	
4	KT5516200094	1	TOP PLATE	
5	KT5512710094	2	CONE	
6	KT56781000	1	KNIFE KIT RH CPL. KIT = 25 PCS. (126 MM)	
7	KT56782000	1	KNIFE KIT LH CPL. KIT = 25 PCS. (126 MM)	
8	KT56785000	1	KNIFE BOLT KIT CPL. (25 PCS.)	
9	KT99308824		STEEL BOLT (VERBUS RIBB BOLT) M10X16	
10	KT5513700086	6	COVER	
11	KT6865820094	1	TOP CONE	
12	KG01267461		WASHER M10	
13	KT99308826		STEEL BOLT (VERBUS RIBB BOLT) M10X20	
14	KT45429000	6	M10-30 PLOUGHBOLT	
15	KT5513900086	7	COUNTER KNIFE	
16	KT5513600094	8	CUTTING DISC	
17	KT69708000	1	LUBRICATION TUBE CPL. L= 115 MM	
18	KT5627100061	4	WASHER	
19	KT5512500086	8	WEARING SOLE	
20	KT99244510	2	CROSS, COMPLETE	
21	KT55246000	1	UNIVERSAL JOINT, COMPLETE	
22	KT99158084	4	BEARING BUSHING PM 40	
23	KT55695100		TOOL KIT FOR CUTTERBAR	
24	KT5524700086	2	RING	
25	KG00595400		CHEESE HEAD SCREW M10X16 12.9	
26	KG01072461		LOCK NUT M12 8	
27	KT45431000	8	M12-35 BOLT	
28	KT56149000	2	PLOUGH BOLT	



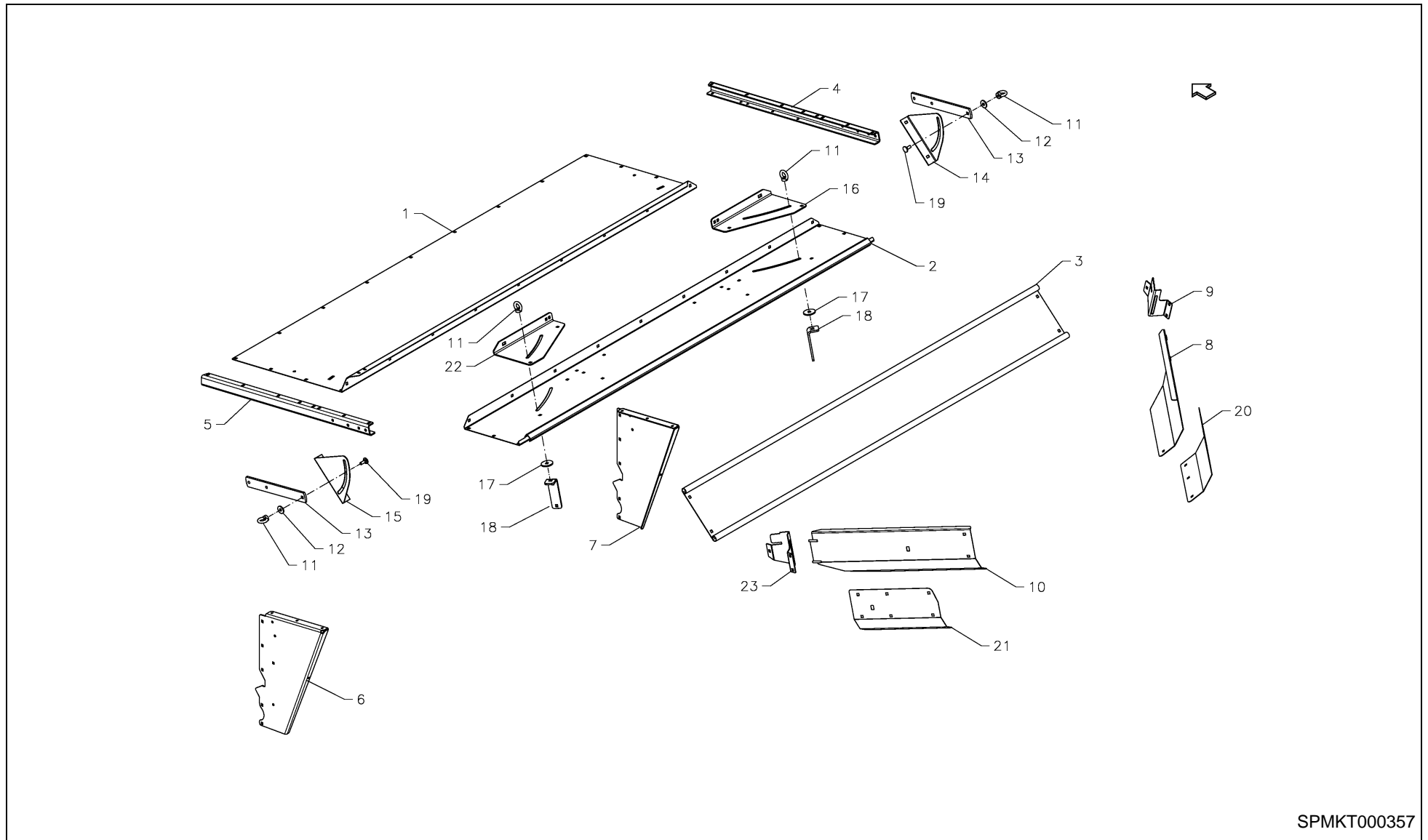
SPMKT000066



EXTRA 832T / Cutterbar

PosNo.	Part No.	Qty.	Description	Remark
1	KT55243000	1	CASING, COMPLETE	
2	KT55245000	1	CASING, COMPLETE	
3	KT55244000	1	CASING, COMPLETE	
4	KT55706100	1	SET OF BEARING	
5	KT55705300	1	SPARE PARTS SET	
6	KT55710300	1	GASKET KIT	

EXTRA 832T / Rear end & deflector plate

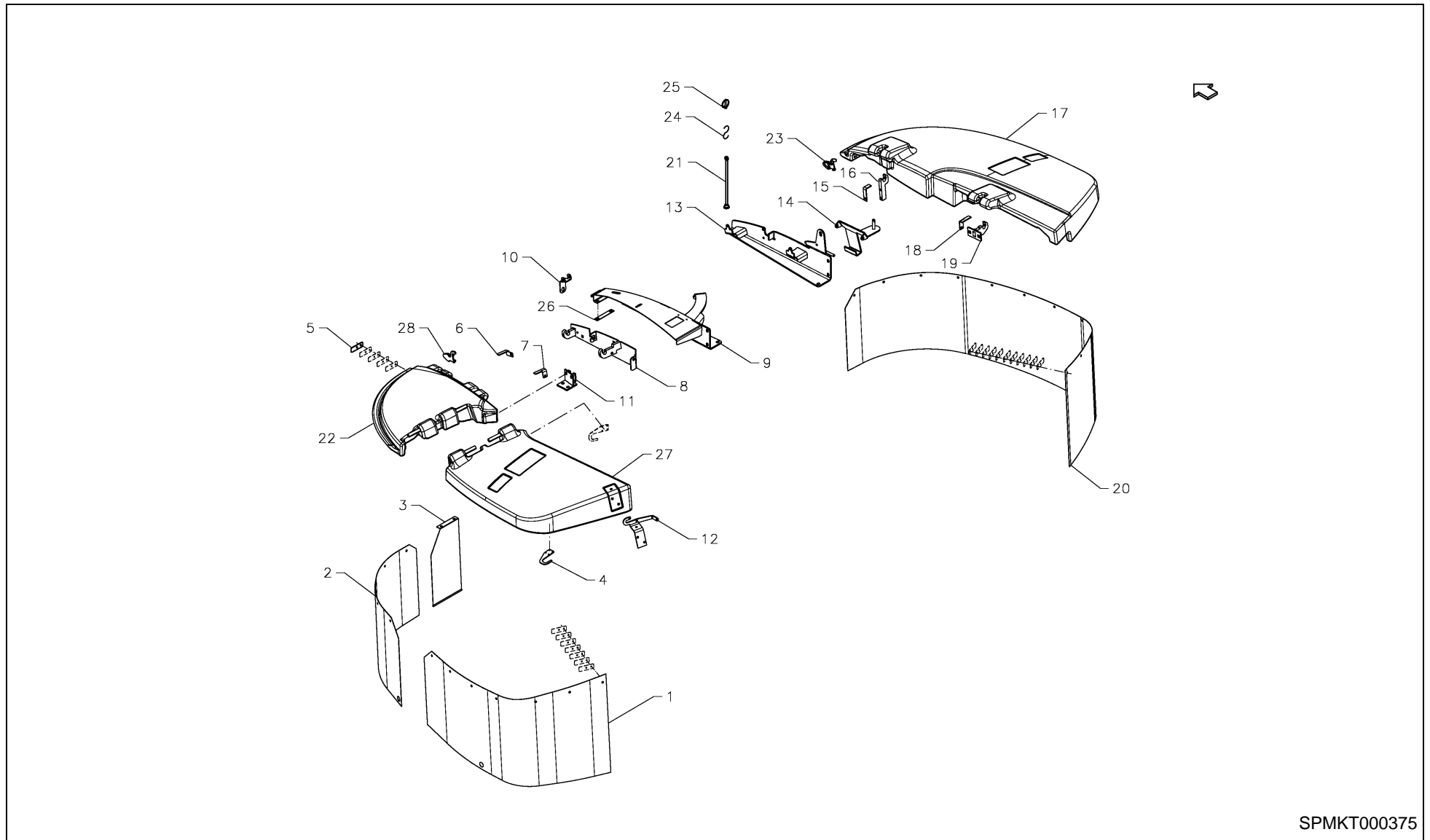


SPMKT000357



EXTRA 832T / Rear end & deflector plate

PosNo.	Part No.	Qty.	Description	Remark
1	KT9044500094	1	TOP PLATE 3M	
2	KT9044610094	1	UPPER PLATE 3,2 M	
3	KT69761100	1	PLATE 4032	
4	KT9034100094	1	PROFILE, RH	
5	KT9034000094	1	PROFILE, LH	
6	KT9033800094	1	SIDE PLATE, LH	
7	KT9033900094	1	SIDE PLATE, RH	
8	KT9033710094	1	DEFLECTOR PLATE, RH	
9	KT9118300061	1	BRACKET RH	
10	KT9033610094	1	DEFLECTOR PLATE, LH	
11	KG01094161	4	LIFTING EYE NUT M12 C15	
12	KT5627100061	1	WASHER	
12	KT56271000	2	WASHER	
13	KT6977200094	2	PROFIL	
14	KT6975420094	1	BRACKET RH	
15	KT6975520094	1	BRACKET LH	
16	KT9119500094	1	REINFORCEMENT PLATE RH	
17	KT3917400061	2	WASHER	
18	KT9044400094	2	BRACKET	
19	KG00644961		CARRIAGE BOLT M12X35 8.8	
20	KT9118600094	1	EXTENSION FOR DEFLECTOR PLATE LH	
21	KT9118700094	1	EXTENSION FOR DEFLECTOR PLATE RH	
22	KT9119300094	1	REINFORCEMENT PLATE LH	
23	KT9118400061	1	BRACKET LH	

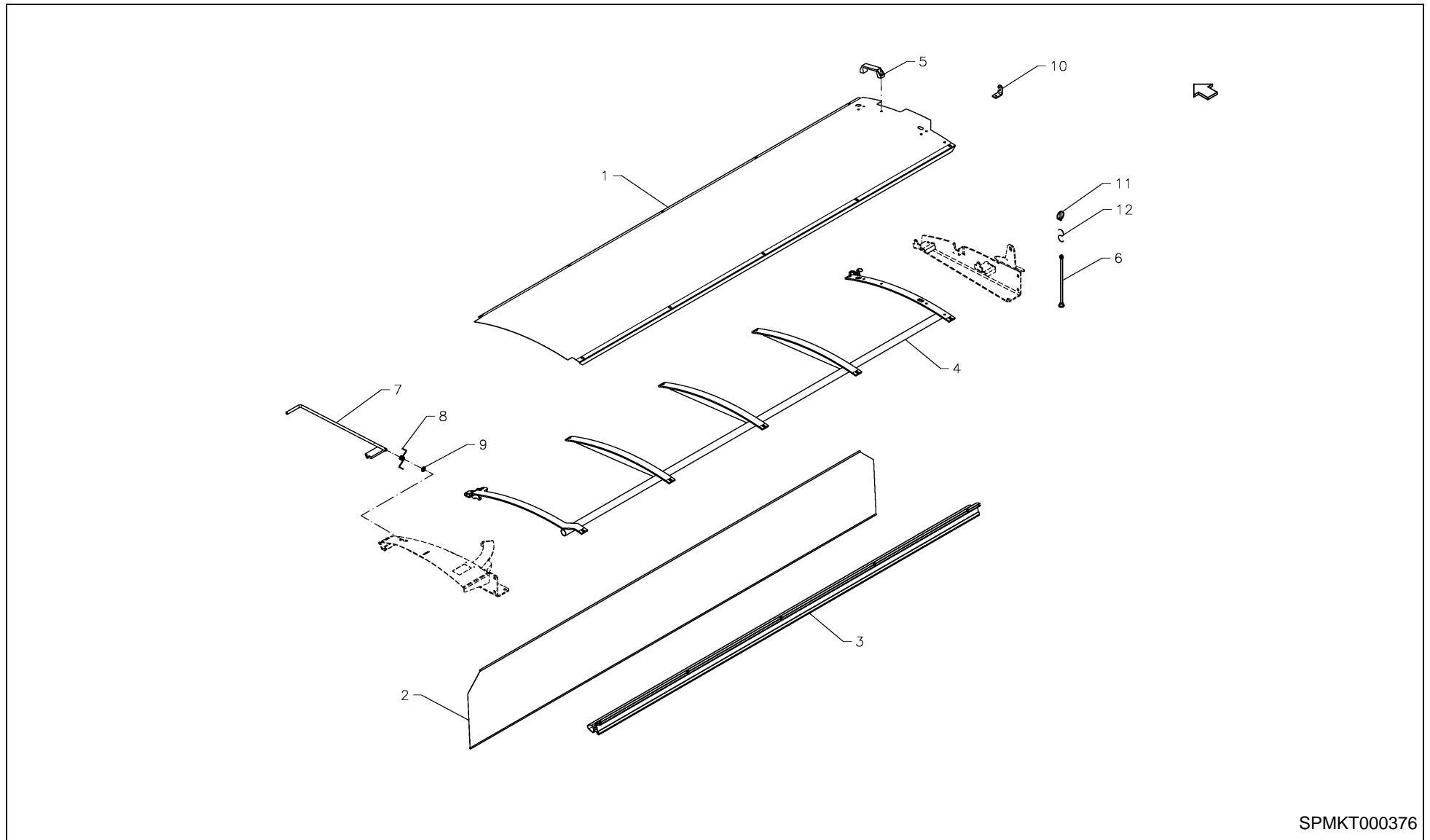


SPMKT000375



EXTRA 832T / Guard

PosNo.	Part No.	Qty.	Description	Remark
1	KT90819000	1	TARPAULIN	
2	KT90818000	1	TARPAULIN	
3	KT90820000	1	TARPAULIN	
4	KT9089300061	2	HOOK	
5	KT9039900061	23	BRACKET	
6	KT9085700061	1	BRACKET	
7	KT9083600061	1	BRACKET	
8	KT9071300086	1	HINGE, LH	
9	KT9071210086	1	ARM LH	
10	KT9071900061	1	BRACKET	
11	KT9071510061	1	BRACKET LH	
12	KT9071600061	1	BRACKET	
13	KT9060120086	1	ARM FOR GUARD	
14	KT9060220086	1	BRACKET	
15	KT9060400061	1	BRACKET	
16	KT9060300061	1	HINGE	
17	KT9039700086	1	GUARD RH	
18	KT9060900061	1	BRACKET	
19	KT9060500061	1	HINGE	
20	KT90619100	1	TARPAULIN LH, VICON	
21	VF06564448	2	CORD	
22	KT90721000	1	PROTECTION GUARD LH	
23	VGLF225	1	CAP, PLASTIC	
24	KT99452096	1	HOOK	
25	KT99331901		LINCH PIN Ø 6	
26	KT9071800061	1	BRACKET	
27	KT90859000	1	PROTECTION GUARD LH	
28	VGLF226	1	CAP, PLASTIC	



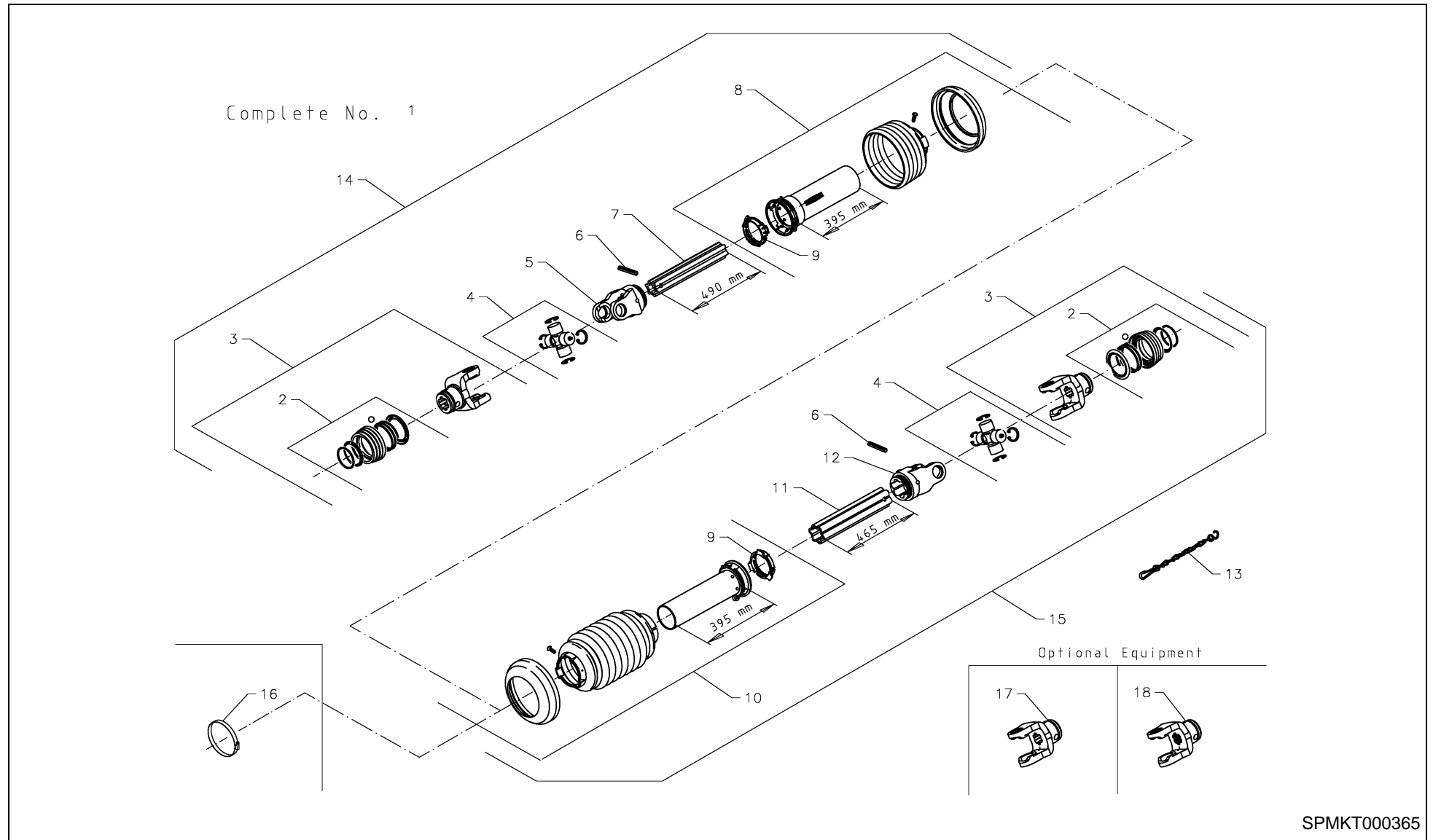
SPMKT000376



EXTRA 832T / Guard

PosNo.	Part No.	Qty.	Description	Remark
1	KT9060720094	1	COVERPLATE FRONT 3,2 M	
2	KT90816000	1	TARPAULIN	
3	KT90599100	1	ALUMINUM PROFILE 3,2 M	
4	KT9059820086	1	FRAME FRONTAL GUARD 3,2 M	
5	KT99458238	2	PLASTIC HANDLE	
6	VF06564448	4	CORD	
7	KT9071410061	1	LOCK	
8	KT9072010061	1	SPRING	
9	KG01267561		WASHER M12	
10	KT9088000061	1	BRACKET	
11	KT99331901		LINCH PIN Ø 6	
12	KT99452096	4	HOOK	

EXTRA 832T / PTO shaft



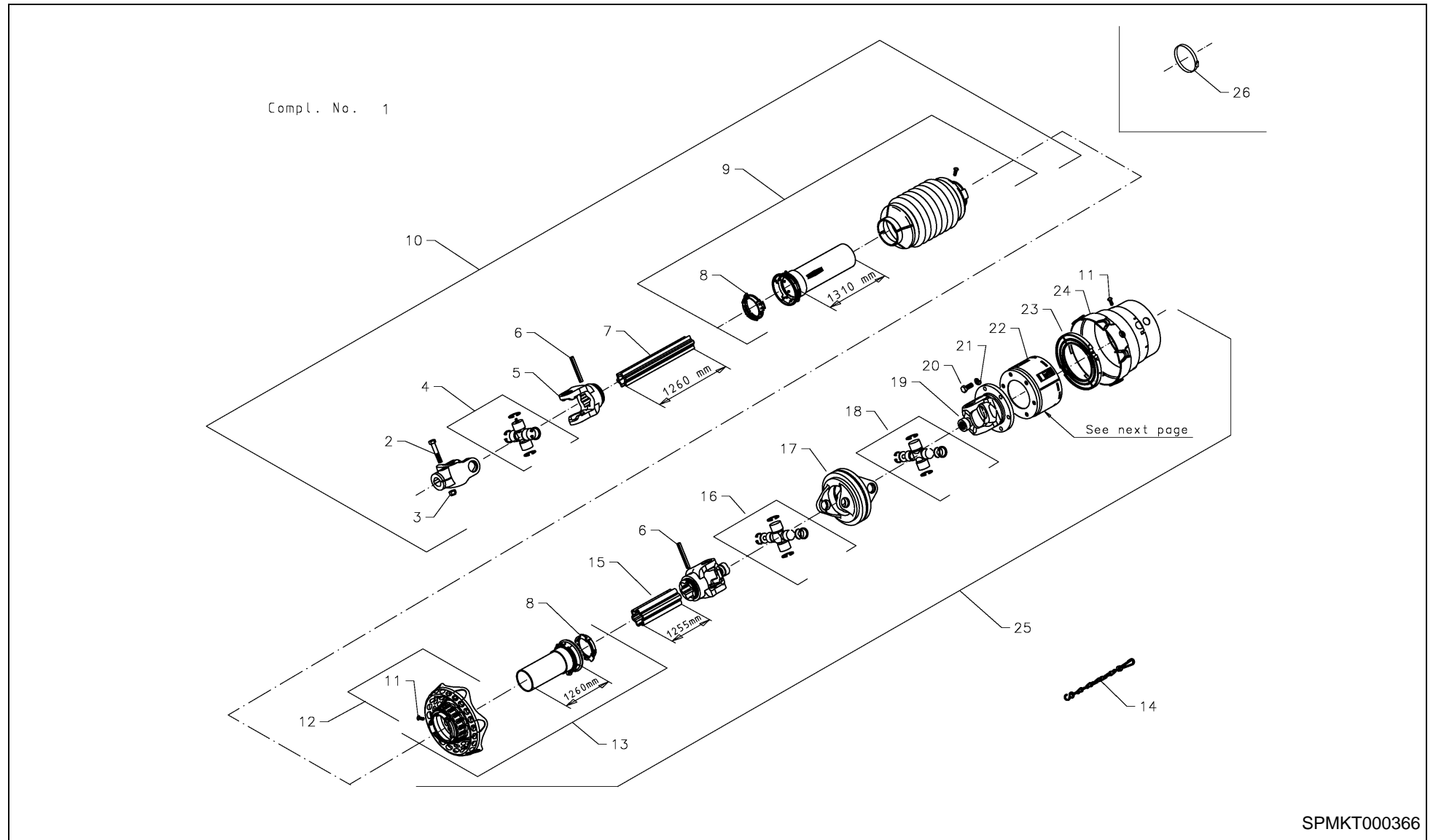
SPMKT000365



EXTRA 832T / PTO shaft

PosNo.	Part No.	Qty.	Description	Remark
1	KT99244475	1	PTO SHAFT, COMPLETE	
2		4	NO PART NUMBER AVAILABLE	Walterscheid No. 135048
3		4	NO PART NUMBER AVAILABLE	Walterscheid No. 133836
4	KT99244480	4	CROSS CPL.	
5		1	NO PART NUMBER AVAILABLE	Walterscheid No. 356905
6		4	NO PART NUMBER AVAILABLE	Walterscheid No. 020617
7		1	NO PART NUMBER AVAILABLE	Walterscheid No. 134940
8	KT99244472	1	OUTER PROTECTION TUBE, COMPLETE	
9		4	NO PART NUMBER AVAILABLE	Walterscheid No. 087276
10	KT99244473	1	INNER PROTECTION TUBE, COMPLETE	
11		1	NO PART NUMBER AVAILABLE	Walterscheid No. 017660
12		1	NO PART NUMBER AVAILABLE	Walterscheid No. 356906
13		1	NO PART NUMBER AVAILABLE	Walterscheid No. 044321
14	KT99244476	1	PTO SHAFT, INNER HALF, COMPLETE	
15	KT99244477	1	PTO SHAFT, OUTER HALF, COMPLETE	
16	KT99352040	1	HOSE BAND Ø87/Ø112 / 12	
17	KT99244503	1	PTO YOKE 8 SPLINE SW. HITCH	
18	KT99244504	1	PTO YOKE 22 SPLINE SW. HITCH	

EXTRA 832T / PTO shaft



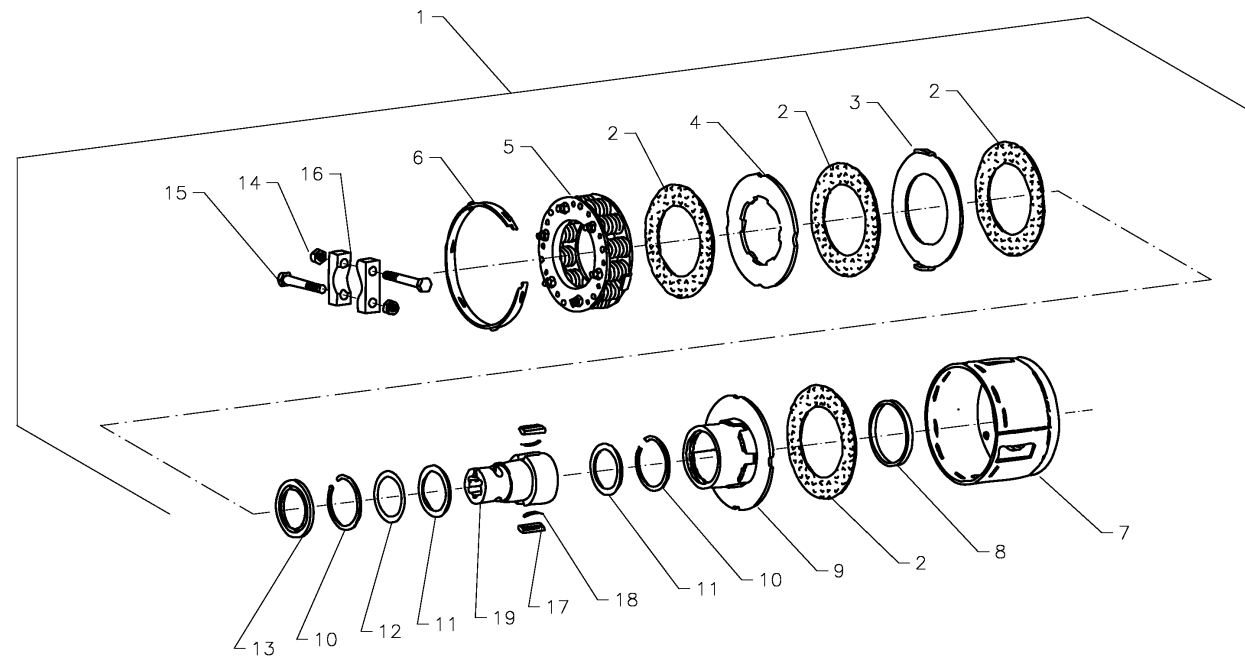
SPMKT000366



EXTRA 832T / PTO shaft

PosNo.	Part No.	Qty.	Description	Remark
1	KT99244495	1	PTO SHAFT, COMPLETE	
2		1	NO PART NUMBER AVAILABLE	Walterscheid No. 020471
3		1	NO PART NUMBER AVAILABLE	Walterscheid No. 010490
4	KT99244498	1	CROSS, COMPLETE	
5		1	NO PART NUMBER AVAILABLE	Walterscheid No. 356905
6		1	NO PART NUMBER AVAILABLE	Walterscheid No. 020617
7		1	NO PART NUMBER AVAILABLE	Walterscheid No. 134937
8		2	NO PART NUMBER AVAILABLE	Walterscheid No. 087276
9	KT99244474	1	INNER PROTECTION TUBE, COMPLETE	
10	KT99244496	1	PTO SHAFT, INNER HALF, COMPLETE	
11		3	NO PART NUMBER AVAILABLE	Walterscheid No. 365305
12		1	NO PART NUMBER AVAILABLE	Walterscheid No. 134847
13	KT99244478	1	OUTER PROTECTION TUBE, COMPLETE	
14		1	NO PART NUMBER AVAILABLE	Walterscheid No. 382078
15		1	NO PART NUMBER AVAILABLE	Walterscheid No. 134935
16	KT99244499	1	CROSS, COMPLETE	
17		1	NO PART NUMBER AVAILABLE	Walterscheid No. 128854
18	KT99244501	1	CROSS, COMPLETE	
19		1	NO PART NUMBER AVAILABLE	Walterscheid No. 137805
20		1	NO PART NUMBER AVAILABLE	Walterscheid No. 178119
21		1	NO PART NUMBER AVAILABLE	Walterscheid No. 178115
22	KT99244481	1	FRICTION CLUTCH, CPL.	
23		1	NO PART NUMBER AVAILABLE	Walterscheid No. 172715
24		1	NO PART NUMBER AVAILABLE	Walterscheid No. 129948
25	KT99244497	1	PTO SHAFT, OUTER HALF, COMPLETE	
26	KT99352040	1	HOSE BAND Ø87/Ø112 / 12	

EXTRA 832T / Friction clutch



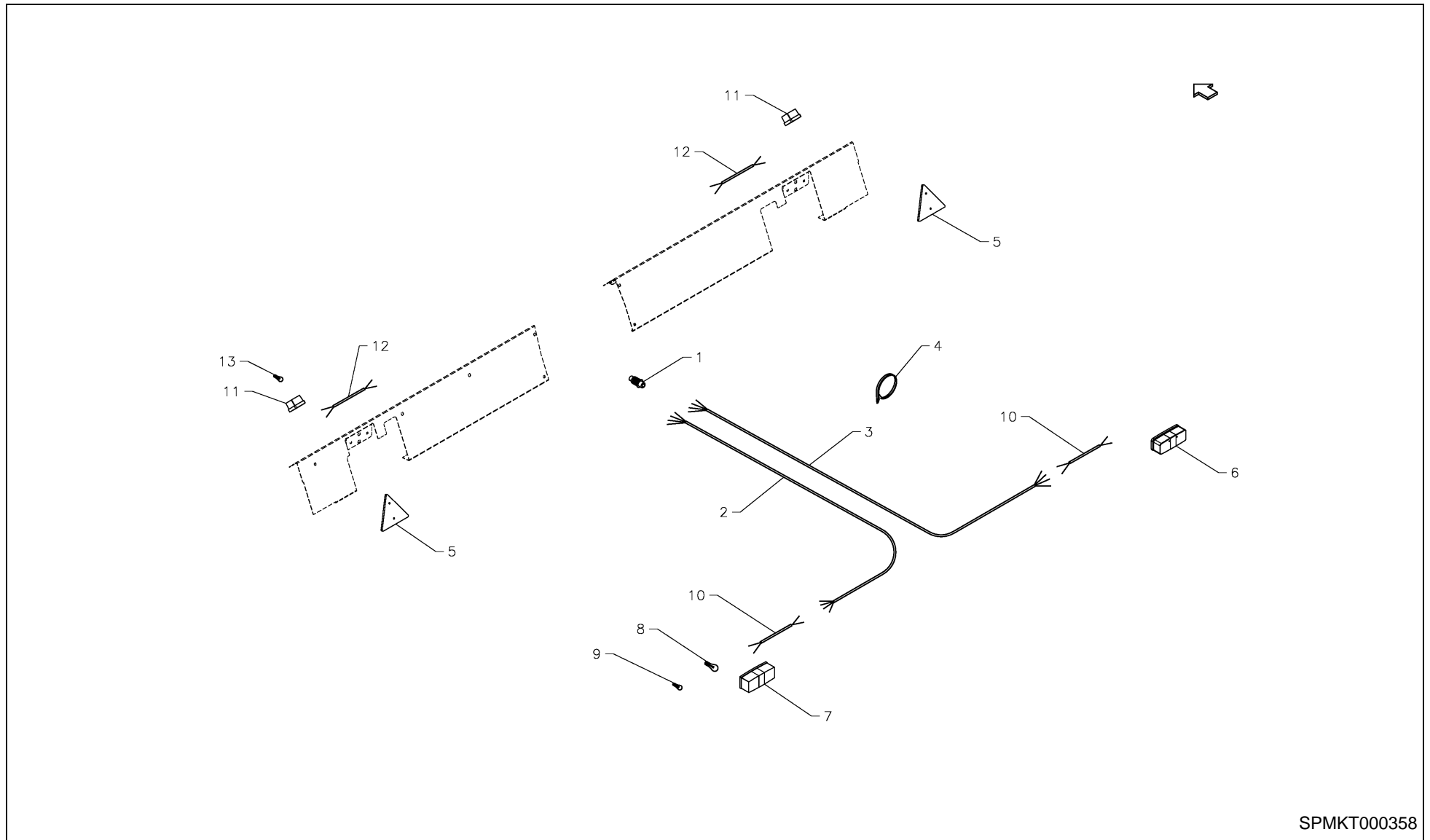
SPMKT000131



EXTRA 832T / Friction clutch

PosNo.	Part No.	Qty.	Description	Remark
1	KT99244481	1	FRICITION CLUTCH, CPL.	
2	KT99244479	4	FRICITION DISC	
3		1	NO PART NUMBER AVAILABLE	Walterscheid No. 367726
4		1	NO PART NUMBER AVAILABLE	Walterscheid No. 367725
5		1	NO PART NUMBER AVAILABLE	Walterscheid No. 377673
6		1	NO PART NUMBER AVAILABLE	Walterscheid No. 367720
7		1	NO PART NUMBER AVAILABLE	Walterscheid No. 367767
8		1	NO PART NUMBER AVAILABLE	Walterscheid No. 367718
9		1	NO PART NUMBER AVAILABLE	Walterscheid No. 169198
10		2	NO PART NUMBER AVAILABLE	Walterscheid No. 702100
11		2	NO PART NUMBER AVAILABLE	Walterscheid No. 304235
12		1	NO PART NUMBER AVAILABLE	Walterscheid No. 116141
13		1	NO PART NUMBER AVAILABLE	Walterscheid No. 170012
14		2	NO PART NUMBER AVAILABLE	Walterscheid No. 020471
15		2	NO PART NUMBER AVAILABLE	Walterscheid No. 332178
16		2	NO PART NUMBER AVAILABLE	Walterscheid No. 010490
17		2	NO PART NUMBER AVAILABLE	Walterscheid No. 331737
18		2	NO PART NUMBER AVAILABLE	Walterscheid No. 332185
19		1	NO PART NUMBER AVAILABLE	Walterscheid No. 185830

EXTRA 832T / Lighting kit cpl.



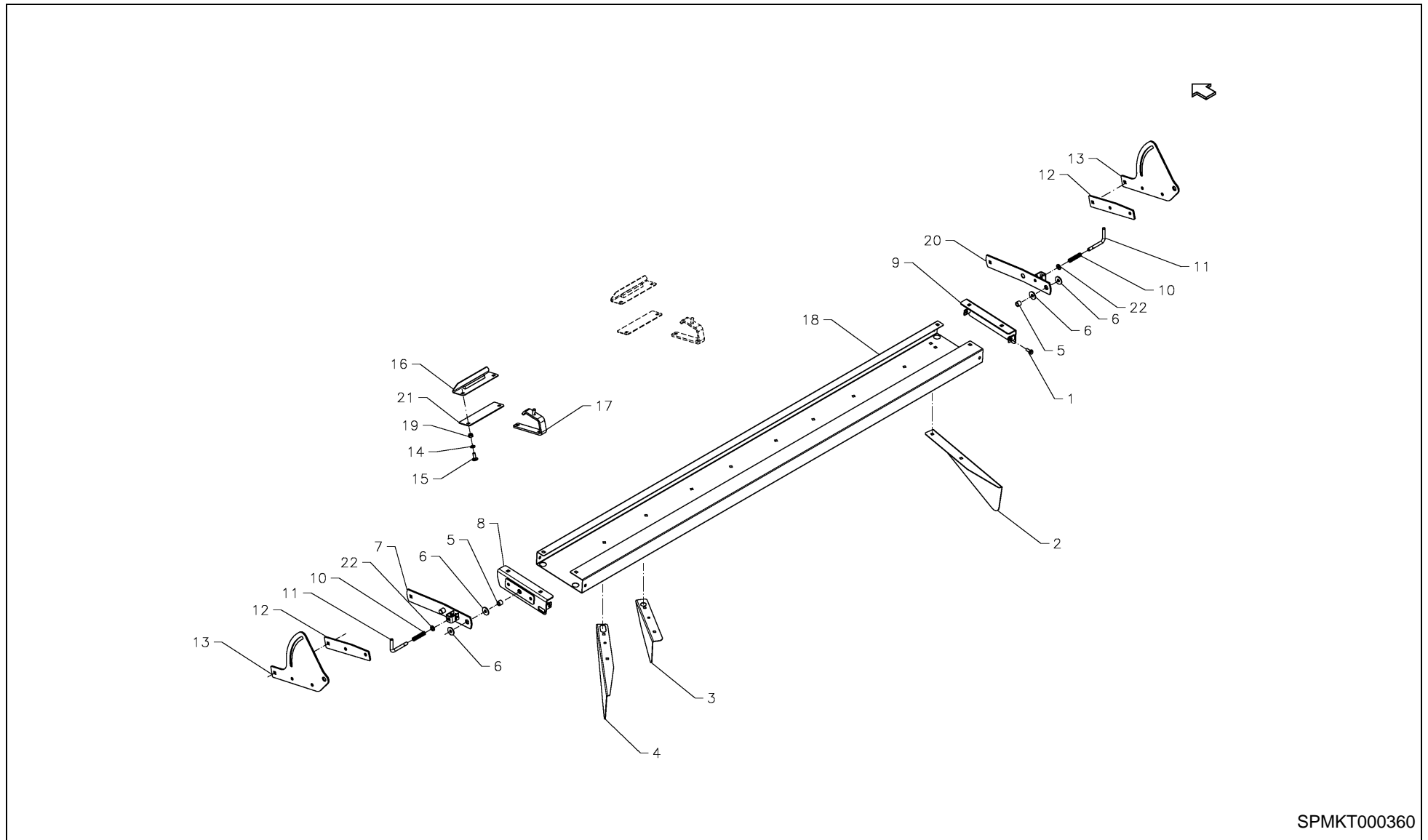
SPMKT000358



EXTRA 832T / Lighting kit cpl.

PosNo.	Part No.	Qty.	Description	Remark
1	KT99478196	1	7 PIN PLUG	
2	KT90580000	1	CABLE L= 7200 MM.	
3	KT90579000	1	CABLE L= 9600 MM	
4	KT99478389	8	BELT	
5	KT99458332	2	REFLEX	
6	KT99474335	1	REAR LIGHT	
7	KT99474336	1	REAR LIGHT	
8	KT99477138		BULB 12V 21W	
9	KT99477137		BULB 12V 10W	
10	KT90582000	2	CABLE L = 200 MM.	
11	KT99474330	2	POSITION LANTERN	
12	KT90583000	2	CABLE L= 200 MM.	
13	KT99477136		BULB 12V 5W	

EXTRA 832T / Optional equipment



SPMKT000360



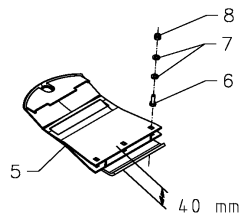
EXTRA 832T / Optional equipment

PosNo.	Part No.	Qty.	Description	Remark
1	KG00981961		FLANGED BOLT M10X25 TENSIOLOC	
2	KT6989900094	1	SPREADING VANE	
3	KT7047500094	7	SPREADING VANE	
4	KT7047400094	1	SPREADING VANE	
5	KT7049000061	2	BUSHING	
6	KT3817000061	4	WASHER	
7	KT7048400094	1	BRACKET	
8	KT7048210094	1	BRACKET	
9	KT7048310094	1	BRACKET	
10	KT1769300061	2	SPRING	
11	KT7048100061	2	HANDLE	
12	KT9063800061	2	PLATE	
13	KT7048820094	2	PLATE	
14	KG01267461		WASHER M10	
15	KG00641461		CARRIAGE BOLT M10X25 8.8	
16	KT9062800061	2	BRACKET	
17	KT9062710061	2	BRACKET FOR DEFLECTOR PLATE	
18	KT7050210094	1	PROFIL	
19	KG01064161		LOCK NUT M10 8	
20	KT7048500094	1	BRACKET	
21	KT9119400061	2	PLATE	
22	KG01267561		WASHER M12	

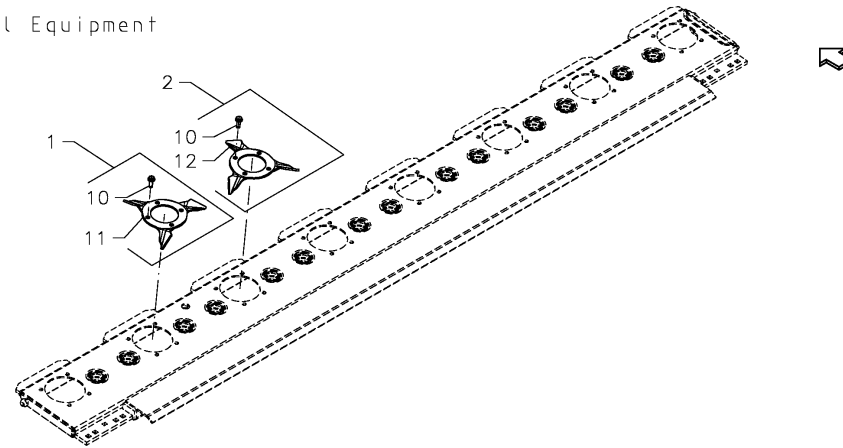
EXTRA 832T / Optional equipment



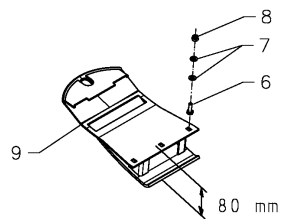
Optional Equipment



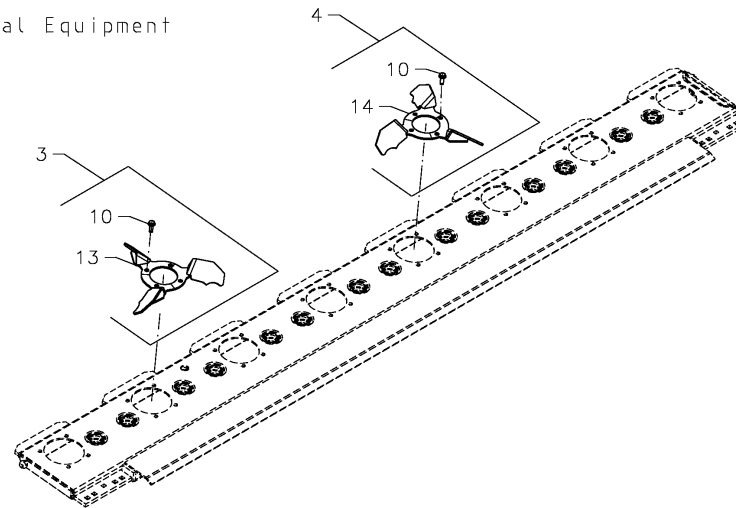
Optional Equipment



Optional Equipment



Optional Equipment



SPMKT000378



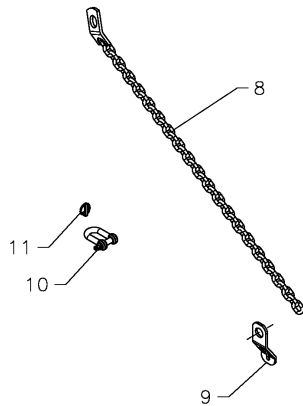
EXTRA 832T / Optional equipment

PosNo.	Part No.	Qty.	Description	Remark
1	KT55277000	3	THROWING WING RH	
2	KT55278000	3	THROWING WING LH	
3	KT55167000	3	THROWING WING SORGUM RH COMPL.	
4	KT55166000	3	THROWING WING SORGUM LH COMPL.	
5	KT5524000086	1	HIGH STONE GUARD 40 MM	
6	KG00474361	2	HEX. SCREW M10X30 8.8	
7	KG01267461	4	WASHER M10	
8	KG01064161	2	LOCK NUT M10 8	
9	KT5515300086	1	HIGH STONE GUARD 80 MM	
10	KT99308828		STEEL BOLT M10X25 10.9	
11	KT5524100086	3	THROWING WING RH	
12	KT5524200086	3	THROWING WING LH	
13	KT5516500086	3	THROWING WING SORGUM RH	
14	KT5516400086	3	THROWING WING SORGUM LH	

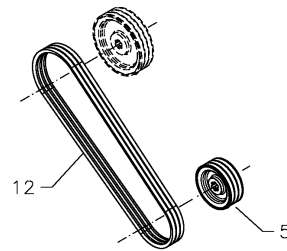
EXTRA 832T / Optional equipment



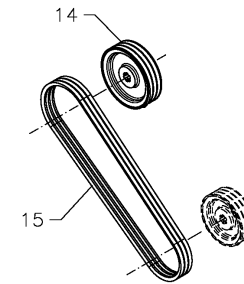
Optional Equipment



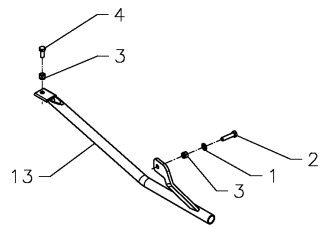
Optional Equipment (1015 rpm)



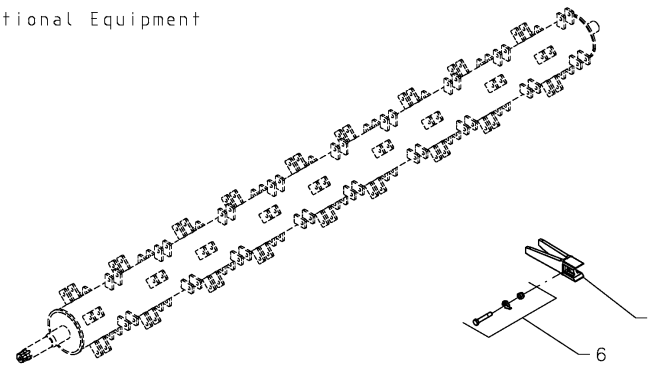
Optional Equipment (450 rpm)



Optional Equipment



Optional Equipment



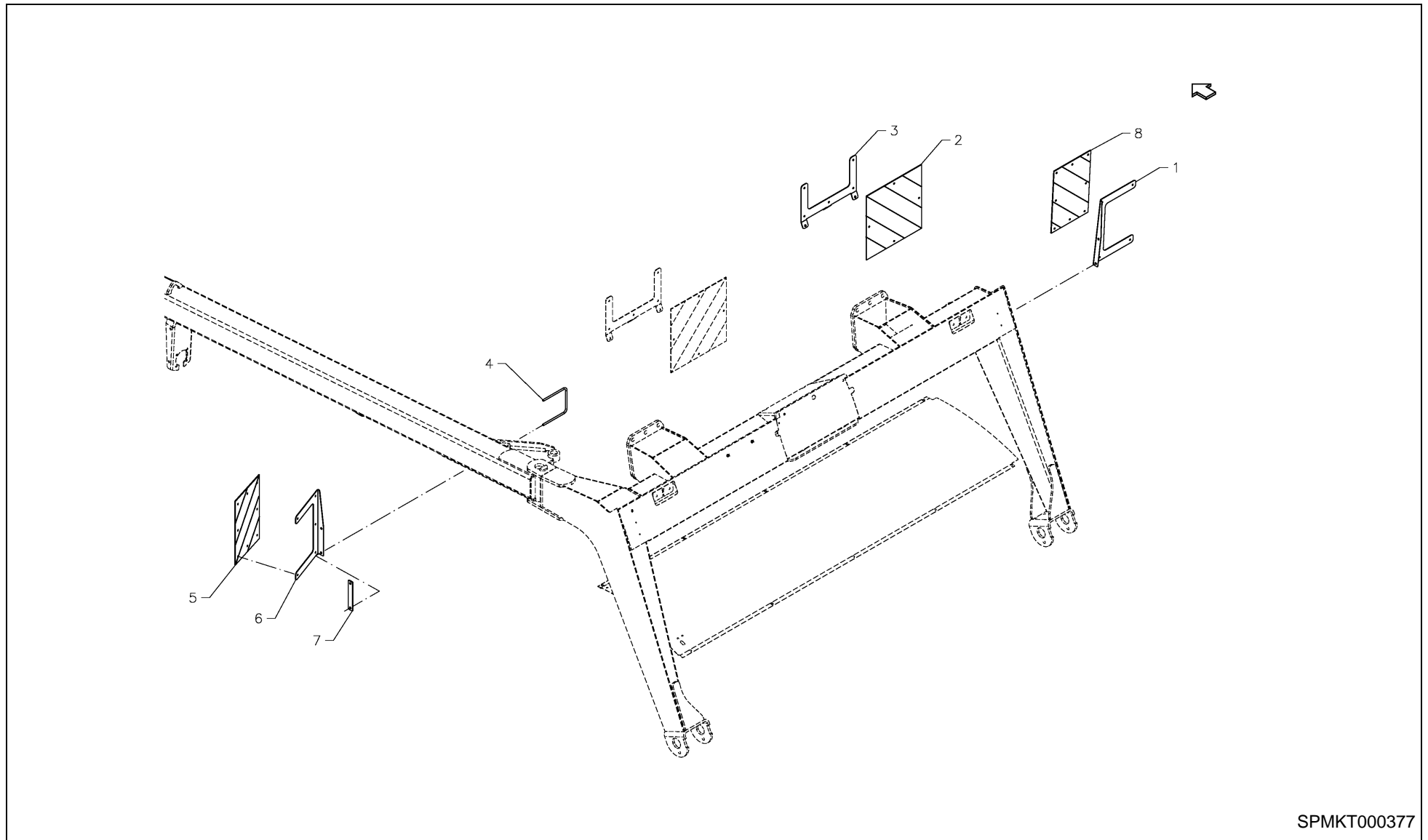
SPMKT000364



EXTRA 832T / Optional equipment

PosNo.	Part No.	Qty.	Description	Remark
1	KG01267561	1	WASHER M12	
2	KG00476961	1	HEX. SCREW M12X50 8.8	
3	KG01064261	2	LOCK NUT M12 8	
4	KG00476561	1	HEX. SCREW M12X30 8.8	
5	KT7028800001	1	V-BELT PULLEY 3 SPB Ø 161MM	
6	KT90278000	72	BOLT KIT	
7	KT90360000	72	PLASTIC FINGER	
8	KT6755820061	1	CHAIN	
9	KT9089800061	1	BRACKET	
10	KT99452075	1	SHACKLE 3/4	
11	KT42176000	1	LOCK SPLIT	
12	KT99202438	1	SET OF V-BELTS LW 1810 (SET = 3 PCS.)	
13	KT9117800086	1	STRAW DIVIDER	
14	KT7011200001	1	V-BELT PULLEY 3 SPB Ø 140 MM	
15	KT99202439	1	V-BELT SET L=1723 MM (SET = 3 PCS)	

EXTRA 832T / Optional equipment



SPMKT000377



EXTRA 832T / Optional equipment

PosNo.	Part No.	Qty.	Description	Remark
1	KT9115800061	1	CONSOLE RH	
2	KT99458380	2	RED/WHITE L/R WARNING FOIL 423X423	
3	KT9116000061	2	CONSOLE	
4	KT9116200061	1	U-BOLT	
5	KT99458381	1	RED/WHITE WARNI 423X282 VERT=RH/HORIZ=LH	
6	KT9115700061	1	CONSOLE	
7	KT9116100061	1	FLAT STEEL	
8	KT99458382	1	RED/WHITE WARNI 423X282 VERT=LH/HORIZ=RH	

EXTRA 832T / Part No Index



Part No.	Page	Pos No	Part No.	Page	Pos No	Part No.	Page	Pos No	Part No.	Page	Pos No
	19	11	KG00476261	13	14	KG01267461	14	12	KT4837700061	8	7
	19	12	KG00476561	8	20	KG01267461	23	14	KT49143000	7	8
	19	13	KG00476561	9	5	KG01267461	24	7	KT5512200001	13	21
	19	2	KG00476561	25	4	KG01267561	8	18	KT5512300001	13	6
	19	3	KG00476961	25	2	KG01267561	10	6	KT5512400001	13	15
	19	5	KG00595400	14	25	KG01267561	18	9	KT5512500086	14	19
	19	6	KG00641461	23	15	KG01267561	23	22	KT5512600001	13	5
	19	7	KG00644961	16	19	KG01267561	25	1	KT5512710094	14	5
	19	9	KG00981961	23	1	KG01267761	1	16	KT5512900086	13	32
	20	11	KG01052661	2	1	KG01267761	1	24	KT5513600094	14	16
	20	12	KG01052661	3	1	KG01309000	4	28	KT5513700086	14	10
	20	14	KG01064161	3	35	KG01378900	8	11	KT5513900086	14	15
	20	15	KG01064161	8	19	KG01840800	13	18	KT5515300086	24	9
	20	17	KG01064161	23	19	KG01840900	13	35	KT5515400001	13	24
	20	19	KG01064161	24	8	KT10101000	5	48	KT5516200094	14	4
	20	2	KG01064261	8	5	KT10105000	13	36	KT5516400086	24	14
	20	20	KG01064261	25	3	KT1769300061	10	11	KT5516500086	24	13
	20	21	KG01064461	1	15	KT1769300061	23	10	KT55166000	24	4
	20	23	KG01064461	1	25	KT26422000	1	11	KT55167000	24	3
	20	24	KG01064661	8	15	KT2844700061	4	15	KT5520200086	13	1
	20	3	KG01072461	14	26	KT2995000061	6	24	KT5524000086	24	5
	20	5	KG01094161	16	11	KT3130700061	3	49	KT5524100086	24	11
	20	6	KG01108300	8	10	KT3349300061	6	25	KT5524200086	24	12
	20	7	KG01109300	7	14	KT3626300061	4	14	KT55243000	15	1
	20	8	KG01109800	3	26	KT3817000061	23	6	KT55244000	15	3
KD0300863	6	32	KG01110400	4	4	KT38218000	10	12	KT55245000	15	2
KG00355761	8	22	KG01128700	2	8	KT3877520086	4	19	KT55246000	14	21
KG00362561	1	23	KG01129300	3	16	KT3877610061	4	18	KT5524700086	14	24
KG00363161	1	17	KG01130300	3	24	KT3877810086	4	12	KT55277000	24	1
KG00473861	3	45	KG01130900	13	17	KT3917400061	16	17	KT55278000	24	2
KG00473961	13	25	KG01192000	2	11	KT42176000	25	11	KT5564110001	13	11
KG00474361	3	48	KG01251561	10	8	KT45429000	14	14	KT5564400001	13	7
KG00474361	24	6	KG01267461	3	50	KT45431000	14	27	KT5564610001	13	20

EXTRA 832T / Part No Index



Part No.	Page	Pos No	Part No.	Page	Pos No	Part No.	Page	Pos No	Part No.	Page	Pos No
KT5564900061	13	2	KT6828400001	9	2	KT9032500086	4	13	KT9042600061	3	25
KT5565000001	13	4	KT68312000	2	17	KT9033100086	4	1	KT9042700061	3	42
KT55651000	13	3	KT68312000	3	32	KT9033200001	4	8	KT9042800061	3	10
KT5567000001	9	4	KT6865820094	14	11	KT9033300086	4	9	KT9042900061	3	8
KT5567000001	13	13	KT6953600061	8	29	KT9033400086	4	10	KT9043010061	3	14
KT55695100	14	23	KT69540000	8	27	KT9033610094	16	10	KT9043100061	2	2
KT55705300	15	5	KT69708000	14	17	KT9033710094	16	8	KT9043100061	3	2
KT55706100	15	4	KT6975420094	16	14	KT9033800094	16	6	KT9043220061	3	31
KT55710300	15	6	KT6975520094	16	15	KT9033900094	16	7	KT9044400094	16	18
KT5572910061	13	26	KT69761100	16	3	KT9034000094	16	5	KT9044500094	16	1
KT5574900001	13	23	KT6977200094	16	13	KT9034100094	16	4	KT9044610094	16	2
KT5576600001	13	33	KT6989900094	23	2	KT9034400094	8	3	KT9046110086	10	3
KT5576700001	13	34	KT7011200001	25	14	KT9034510061	8	14	KT9046210086	10	2
KT56149000	14	28	KT7028800001	25	5	KT9034700086	10	5	KT9046300061	10	7
KT5616500061	3	43	KT7047400094	23	4	KT9034800061	10	9	KT9046400061	10	4
KT56227000	7	13	KT7047500094	23	3	KT9034910086	8	9	KT9046800061	2	13
KT56271000	16	12	KT7048100061	23	11	KT9035200061	8	24	KT9046800061	3	20
KT5627100061	14	18	KT7048210094	23	8	KT90360000	25	7	KT9046900061	8	17
KT5627100061	16	12	KT7048310094	23	9	KT9039700086	17	17	KT9047400086	8	2
KT56781000	14	6	KT7048400094	23	7	KT9039900061	17	5	KT9048100061	2	5
KT56782000	14	7	KT7048500094	23	20	KT9040100086	1	14	KT9048500061	3	12
KT56785000	14	8	KT7048820094	23	13	KT9040200061	1	6	KT9048600061	2	7
KT5874000061	8	21	KT7049000061	23	5	KT9040300086	7	1	KT9049200094	8	1
KT5882400061	8	16	KT7050210094	23	18	KT9041120086	1	2	KT9050210061	3	22
KT6056800061	4	11	KT79459000	7	15	KT9041210086	1	3	KT9050300061	2	16
KT6244500061	2	15	KT90186000	1	13	KT9041710086	3	19	KT9050300061	3	34
KT6244500061	3	13	KT90276000	11	2	KT9041810086	2	6	KT9050400061	2	12
KT6245600001	8	12	KT90278000	11	3	KT9041920061	3	39	KT9050520086	3	18
KT6755820061	25	8	KT90278000	25	6	KT9042000086	3	41	KT9050620086	2	20
KT67602000	6	21	KT9030020086	11	1	KT9042200061	3	6	KT9051210061	7	12
KT6823110061	4	2	KT9030800086	14	1	KT9042300061	3	7	KT9051310061	2	18
KT6827100061	10	10	KT9030900086	14	2	KT9042410061	3	5	KT9051310061	3	36
KT6828300001	9	3	KT9031020061	14	3	KT9042500061	3	23	KT9051500061	3	40

EXTRA 832T / Part No Index



Part No.	Page	Pos No	Part No.	Page	Pos No	Part No.	Page	Pos No	Part No.	Page	Pos No
KT9052900086	1	7	KT90677000	7	10	KT9089300061	17	4	KT99158066	4	17
KT9053000086	1	5	KT90678000	7	4	KT9089800061	25	9	KT99158077	3	9
KT9053100086	1	4	KT9071210086	17	9	KT9089900061	4	30	KT99158084	14	22
KT9053510061	8	13	KT9071300086	17	8	KT90906100	6	17	KT99158087	2	3
KT9053600061	8	8	KT9071410061	18	7	KT9093700086	1	20	KT99158087	3	3
KT9057600061	4	7	KT9071510061	17	11	KT9093800086	1	22	KT99158088	3	21
KT90579000	22	3	KT9071600061	17	12	KT9093900086	1	21	KT99158090	4	3
KT90580000	22	2	KT9071800061	17	26	KT9115700061	26	6	KT99158115	3	28
KT90582000	22	10	KT9071900061	17	10	KT9115800061	26	1	KT99160030	3	15
KT90583000	22	12	KT9072010061	18	8	KT9116000061	26	3	KT99160040	3	30
KT9059820086	18	4	KT90721000	17	22	KT9116100061	26	7	KT99160045	2	9
KT90599100	18	3	KT9072600064	3	37	KT9116200061	26	4	KT99202435	9	1
KT9060120086	17	13	KT9072700064	2	19	KT9117600061	4	33	KT99202438	25	12
KT9060220086	17	14	KT9074600086	4	24	KT9117700061	4	32	KT99202439	25	15
KT9060300061	17	16	KT9074700086	4	25	KT9117800086	25	13	KT99244472	19	8
KT9060400061	17	15	KT9074810086	4	20	KT9118000086	10	1	KT99244473	19	10
KT9060500061	17	19	KT9074900061	4	27	KT9118300061	16	9	KT99244474	20	9
KT9060720094	18	1	KT9075000061	4	23	KT9118400061	16	23	KT99244475	19	1
KT9060900061	17	18	KT9075100061	4	16	KT9118600094	16	20	KT99244476	19	14
KT90619100	17	20	KT9078900061	8	23	KT9118700094	16	21	KT99244477	19	15
KT9062710061	23	17	KT9079000061	8	4	KT9118900086	3	29	KT99244478	20	13
KT9062800061	23	16	KT9081010094	8	28	KT9119300094	16	22	KT99244479	21	2
KT9062900061	12	48	KT90816000	18	2	KT9119400061	23	21	KT99244480	19	4
KT9063000061	8	6	KT90818000	17	2	KT9119500094	16	16	KT99244481	20	22
KT9063800061	23	12	KT90819000	17	1	KT9125900061	3	46	KT99244481	21	1
KT9065800061	6	18	KT90820000	17	3	KT9126000061	3	44	KT99244485	4	21
KT90667000	6	1	KT9083600061	17	7	KT91261000	6	36	KT99244495	20	1
KT90668000	6	6	KT9085300097	8	26	KT9127600061	8	30	KT99244496	20	10
KT90669000	6	15	KT9085700061	17	6	KT99125012	4	6	KT99244497	20	25
KT90670000	6	10	KT90859000	17	27	KT99158065	2	14	KT99244498	4	22
KT90671000	6	12	KT9087600061	8	25	KT99158065	3	11	KT99244498	20	4
KT90672000	6	8	KT9088000061	18	10	KT99158066	2	4	KT99244499	20	16
KT90675100	6	9	KT9088100061	4	29	KT99158066	3	4	KT99244501	20	18

EXTRA 832T / Part No Index



Part No.	Page	Pos No	Part No.	Page	Pos No	Part No.	Page	Pos No	Part No.	Page	Pos No
KT99244503	19	17	KT99255122	5	34	KT99255147	12	1	KT99308826	14	13
KT99244504	19	18	KT99255122	12	41	KT99255148	12	5	KT99308828	24	10
KT99244506	12	47	KT99255123	5	35	KT99255149	12	6	KT99330483	3	33
KT99244510	14	20	KT99255123	12	31	KT99255150	12	7	KT99331901	4	26
KT99255001	5	49	KT99255124	5	36	KT99255151	12	8	KT99331901	17	25
KT99255003	12	46	KT99255125	5	38	KT99255152	12	9	KT99331901	18	11
KT99255100	5	1	KT99255126	5	39	KT99255153	12	10	KT99333832	3	47
KT99255101	5	2	KT99255127	5	42	KT99255154	12	11	KT99333833	4	31
KT99255102	5	3	KT99255128	5	44	KT99255155	12	20	KT99350531	3	27
KT99255103	5	4	KT99255129	5	46	KT99255156	12	23	KT99350537	4	5
KT99255104	5	5	KT99255129	12	45	KT99255157	12	26	KT99352040	19	16
KT99255105	5	6	KT99255131	5	806	KT99255158	12	27	KT99352040	20	26
KT99255106	5	7	KT99255132	5	807	KT99255159	12	28	KT99352042	7	6
KT99255107	5	11	KT99255133	5	808	KT99255160	12	30	KT99354122	13	27
KT99255107	12	21	KT99255134	5	809	KT99255161	12	37	KT99402112	6	16
KT99255108	5	12	KT99255135	5	810	KT99255162	12	38	KT99402113	6	3
KT99255108	12	22	KT99255136	5	822	KT99255163	12	75	KT99402114	6	13
KT99255109	5	13	KT99255137	5	823	KT99255164	12	76	KT99402352	7	9
KT99255110	5	14	KT99255137	12	810	KT99255165	12	800	KT99402904	6	14
KT99255111	5	15	KT99255138	5	824	KT99255166	12	802	KT99402914	6	29
KT99255112	5	16	KT99255138	12	812	KT99255167	12	803	KT99402921	6	19
KT99255113	5	17	KT99255139	5	825	KT99255168	12	820	KT99402922	6	28
KT99255114	5	18	KT99255139	12	813	KT99255169	12	822	KT99402927	6	34
KT99255115	5	19	KT99255140	5	826	KT99255170	12	823	KT99402941	6	23
KT99255115	12	36	KT99255140	12	814	KT99255171	12	824	KT99403015	6	7
KT99255116	5	20	KT99255141	5	827	KT99255172	12	834	KT99403204	6	35
KT99255116	12	35	KT99255142	5	828	KT99255173	12	840	KT99403211	6	11
KT99255117	5	21	KT99255142	12	833	KT99255174	12	841	KT99403220	7	3
KT99255118	5	29	KT99255143	5	829	KT99255175	12	842	KT99403221	7	5
KT99255119	5	30	KT99255143	12	832	KT99255229	5	47	KT99404018	6	30
KT99255120	5	32	KT99255144	5	830	KT99302819	13	31	KT99404242	6	2
KT99255120	12	40	KT99255144	12	830	KT99307775	6	4	KT99407008	7	11
KT99255121	5	33	KT99255145	5	831	KT99308824	14	9	KT99407410	6	20



EXTRA 832T / Part No Index

Part No.	Page	Pos No	Part No.	Page	Pos No
KT99407540	6	31	KT99462633	13	28
KT99407541	6	33	KT99462718	13	29
KT99408914	6	5	KT99474330	22	11
KT99408934	6	26	KT99474335	22	6
KT99408943	6	27	KT99474336	22	7
KT99413144	7	2	KT99477136	22	13
KT99413149	3	17	KT99477137	22	9
KT99413150	2	10	KT99477138	22	8
KT99420109	13	19	KT99478196	22	1
KT99420125	13	12	KT99478389	22	4
KT99420238	13	8	VF06564448	17	21
KT99420286	13	22	VF06564448	18	6
KT99421068	13	16	VGLF225	17	23
KT99428514	7	7	VGLF226	17	28
KT99428522	6	22			
KT99432066	1	9			
KT99432375	1	10			
KT99434056	1	8			
KT99434601	1	1			
KT99434602	1	18			
KT99434603	1	19			
KT99452075	25	10			
KT99452096	17	24			
KT99452096	18	12			
KT99457134	13	9			
KT99457135	13	10			
KT99458109	13	30			
KT99458238	18	5			
KT99458244	3	38			
KT99458332	22	5			
KT99458380	26	2			
KT99458381	26	5			
KT99458382	26	8			



EXTRA 832T

402.420 < Mach. ID <=

Kverneland Group Kerteminde AS
Taarupstrandvej 25
DK-5300 Kerteminde
Denmark
+45 65 19 19 00
+45 65 19 19 99

© Kverneland Group

All rights reserved. No parts of this book may be reproduced, stored in a database or retrieval system, or published in any form or in any way, electronically, mechanically, optically, by print, photo print, microfilm (including micro and macro fiche), or any other means, including all video and CD systems, without prior written permission from the publisher.

Print date: 2007-11-28

