

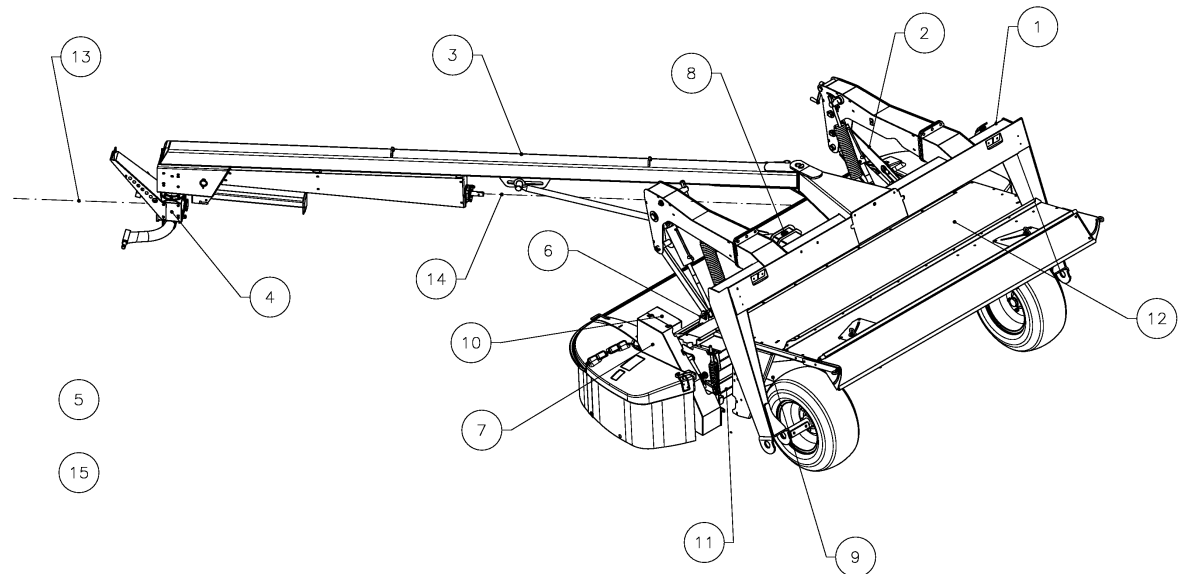
EXTRA 835CT

Spare Parts Manual

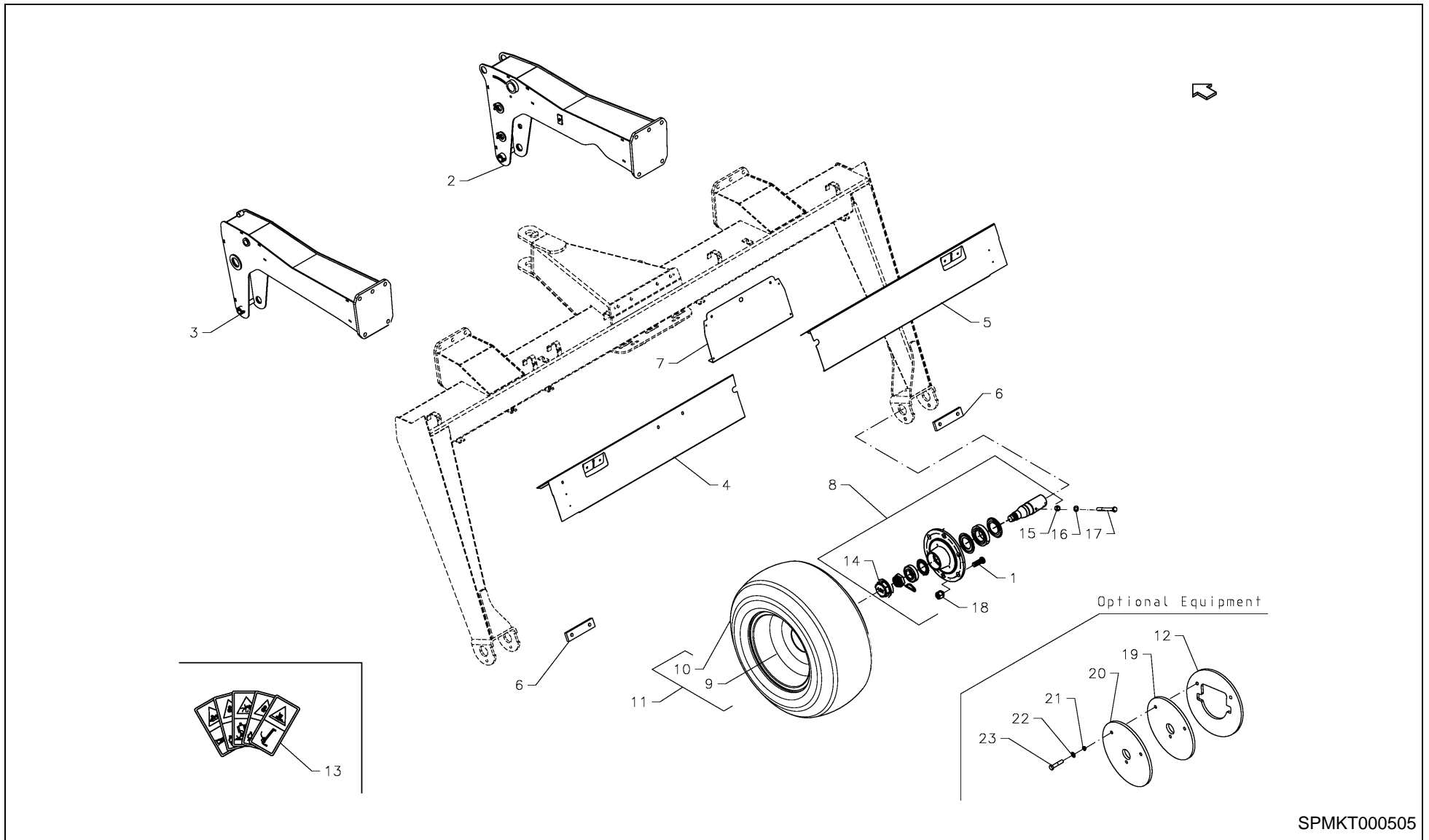
Article number:	90000281 Index 118-02
Language:	EN
Production year (from):	2008
Serial No. (from)	404.890 < Mach. ID <=

EXTRA 835CT / Table of Contents

PosNo.	Assembly group	Page
1	PRIMARY FRAME, WHEEL	1
1	LIGHTING KIT	24
2	SPRING, HYDRAULIC CYLINDER, LH	2
2	SPRING, HYDRAULIC CYLINDER, RH	3
3	DRAWBAR	4
4	SWIVEL GEAR, COMPLETE	5
5	HYDRAULIC	6
5	HYDRAULIC, DRAWBAR	7
6	SECONDARY FRAME	8
6	CONDITIONER PLATE	11
7	TRANSMISSION	10
8	CENTRE GEAR BOX, COMPLETE	9
9	ROTOR	12
10	MAIN GEAR BOX, COMPLETE	13
11	CUTTERBAR	14
11	TRANSMISSION, CUTTERBAR	15
11	CUTTERBAR	16
12	GUARD	17
12	GUARD	18
12	REAR END & DEFLECTOR PLATE	19
13	PTO SHAFT	20
14	PTO SHAFT	21
14	FRICTION CLUTCH	22
14	PTO SHAFT	23
15	OPTIONAL EQUIPMENT	25
15	OPTIONAL EQUIPMENT	26
15	OPTIONAL EQUIPMENT	27
15	OPTIONAL EQUIPMENT	28



EXTRA 835CT / Primary frame, wheel



SPMKT000505



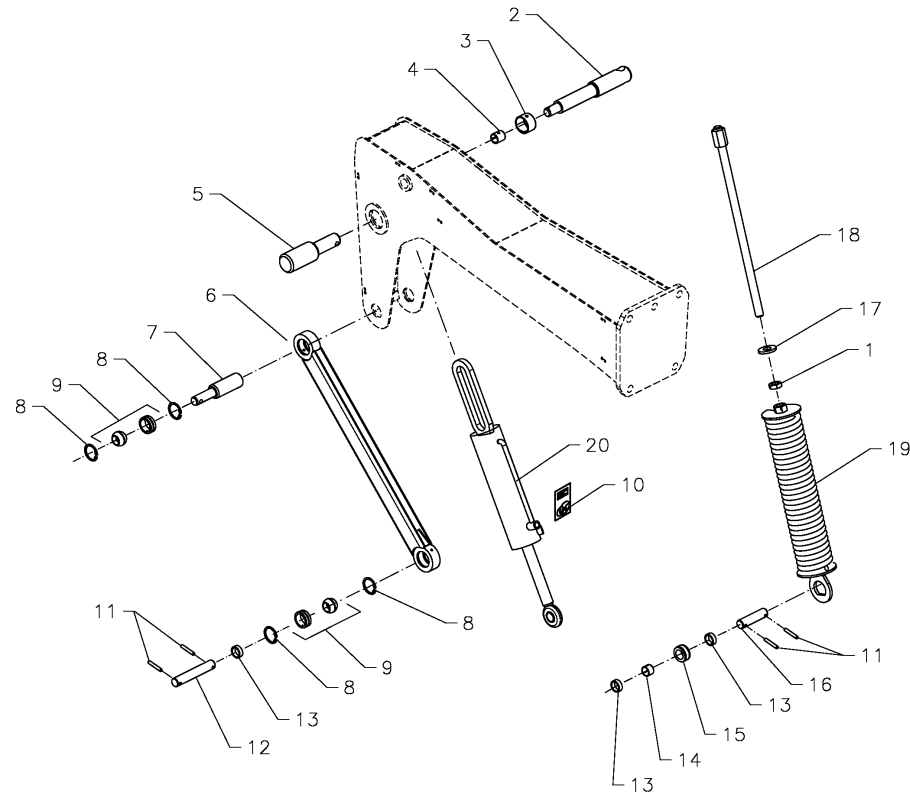
EXTRA 835CT / Primary frame, wheel

PosNo.	Part No.	Qty.	Description	Remark
1	KT99434601	6	STUD	
2	KT9041120086	1	ARM RH	
3	KT9041210086	1	ARM LH	
4	KT9055300086	1	GUARD, LH	
5	KT9054600086	1	GUARD RH	
6	KT9040200061	1	BRACKET	
7	KT9052900086	1	GUARD, CENTER	
8	KT99434056	2	HUB, COMPLETE	
9	KT99432066	2	RIM 15.00-17	
10	KT99432375	2	TYRE 15.00-17	
11	KT26422000	2	WHEEL CPL.	
12	KT9093700086	1	COUNTER BALANCE BLOCK	
13	KT90186000	1	SAFETY DECAL SET	
14	KT99434603	2	COVER	
15	KG01064461	4	LOCK NUT M16 8	
16	KG01267761	4	WASHER M16	
17	KG00363161	4	HEX. BOLT M16X140 8.8	
18	KT99434602	6	NUT	
19	KT9093900086	1	COUNTER BALANCE BLOCK	
20	KT9093800086	1	COUNTER BALANCE BLOCK	
21	KG01064461	3	LOCK NUT M16 8	
22	KG01267761	3	WASHER M16	
23	KG00362561	3	HEX. BOLT M16X80 8.8	

EXTRA 835CT / Spring, hydraulic cylinder, LH



Venstre side/ Left side



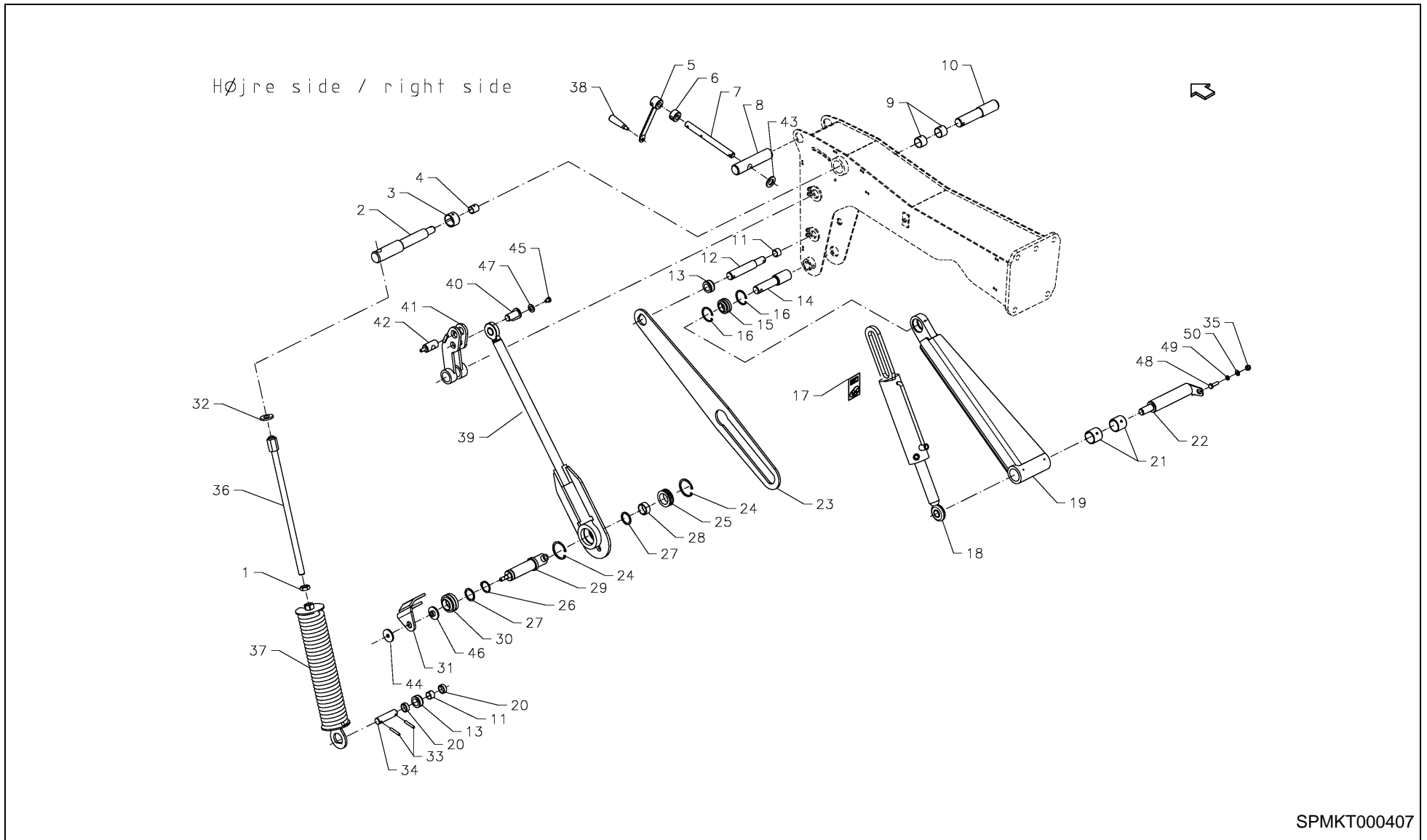
SPMKT000406



EXTRA 835CT / Spring, hydraulic cylinder, LH

PosNo.	Part No.	Qty.	Description	Remark
1	KG01052661	1	HEX. NUT M22 8	
2	KT9043100061	1	SHAFT	
3	KT99158087	1	GLACIER BUSHING PM4530 DX	
4	KT99158066	1	GLACIER BUSHING PM 2530 DX	
5	KT9048100061	1	SHAFT	
6	KT9041810086	1	ARM, LH	
7	KT9048600061	1	SHAFT	
8	KG01128700	4	CIRCLIP-B 47 X 1.75	
9	KT99160045	2	BEARING Ø 25 GE25FO 2RS	
10	KT99413150	1	GASKET KIT	
11	KG01192000		TENSION PIN 8X50	
12	KT9050400061	1	COTTER BOLT	
13	KT9046800061	3	SPACER	
14	KT99158065	1	GLACIER BUSHING PM 2520 DX	
15	KT6244500061	1	BEARING	
16	KT9050300061	1	COTTER BOLT	
17	KT68312000	1	WASHER (DISC)	
18	KT9051310061	1	SPINDLE	
19	KT9072500064	1	SPRING N=32 - Ø15 MM	
20	KT9050620086	1	HYDRAULIC CYLINDER	

EXTRA 835CT / Spring, hydraulic cylinder, RH



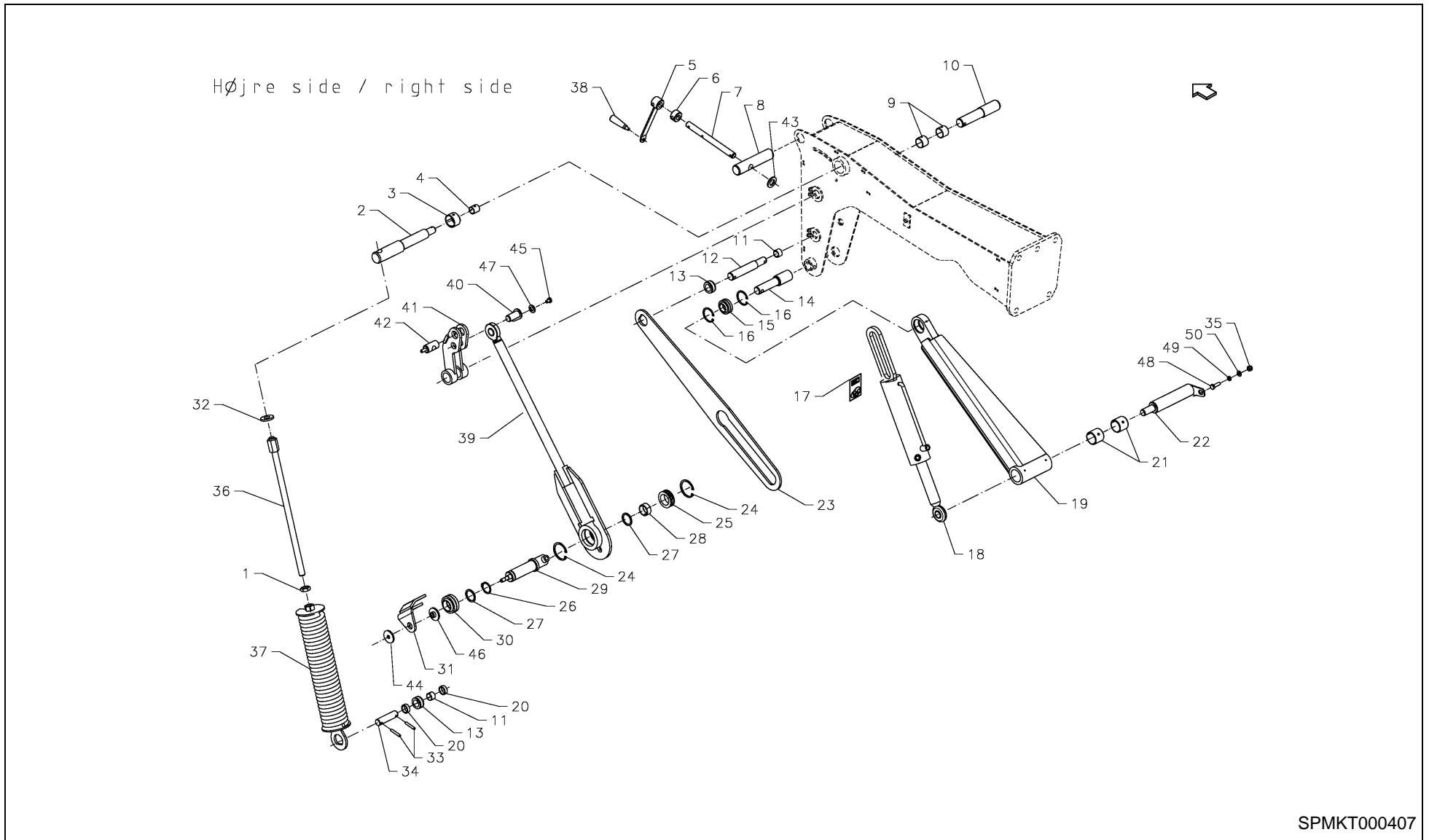
SPMKT000407



EXTRA 835CT / Spring, hydraulic cylinder, RH

PosNo.	Part No.	Qty.	Description	Remark
1	KG01052661	1	HEX. NUT M22 8	
2	KT9043100061	1	SHAFT	
3	KT99158087	1	GLACIER BUSHING PM4530 DX	
4	KT99158066	1	GLACIER BUSHING PM 2530 DX	
5	KT9042410061	1	HANDLE	
6	KT9042200061	1	RING	
7	KT9042300061	1	SPINDLE	
8	KT9042900061	1	SHAFT	
9	KT99158077	2	GLACIER BUSHING PM 3530 DX	
10	KT9042800061	1	SHAFT	
11	KT99158065	2	GLACIER BUSHING PM 2520 DX	
12	KT9048500061	1	COTTER BOLT	
13	KT6244500061	2	BEARING	
14	KT9043010061	1	SHAFT	
15	KT99160030	1	RADIAL BEARING Ø30	
16	KG01129300	2	CIRCLIP-B 55 X 2	
17	KT99413149	1	GASKET KIT	
18	KT9050520086	1	HYDRAULIC CYLINDER	
19	KT9041710086	1	ARM	
20	KT9046800061	2	SPACER	
21	KT99158088	2	GLACIER BUSHING PM 4545 DX	
22	KT9050210061	1	COTTER BOLT	
23	KT9042500061	1	ARM	
24	KG01130300	2	CIRCLIP-B 68 X 2.5	
25	KT9042600061	1	BEARING	
26	KG01109800		CIRCLIP-A 40 X 1.75	
27	KT99350531		SUPPORTING DISC	
28	KT99158115	1	GLACIER BUSHING PM 4020 DX	
29	KT9118900086	1	HYDRAULIC CYLINDER	
30	KT99160040	1	RADIAL BEARING Ø40	
31	KT9043220061	1	LATCH	
32	KT68312000	1	WASHER (DISC)	
33	KT99330483		PIN Ø8 - 65	
34	KT9050300061	1	COTTER BOLT	
35	KG01064161		LOCK NUT M10 8	
36	KT9051310061	1	SPINDLE	
37	KT9072400064	1	SPRING N=36 - Ø13 MM	
38	KT99458244	1	HANDLE	
39	KT9041920061	1	ARM	
40	KT9051500061	1	COTTER BOLT	

EXTRA 835CT / Spring, hydraulic cylinder, RH



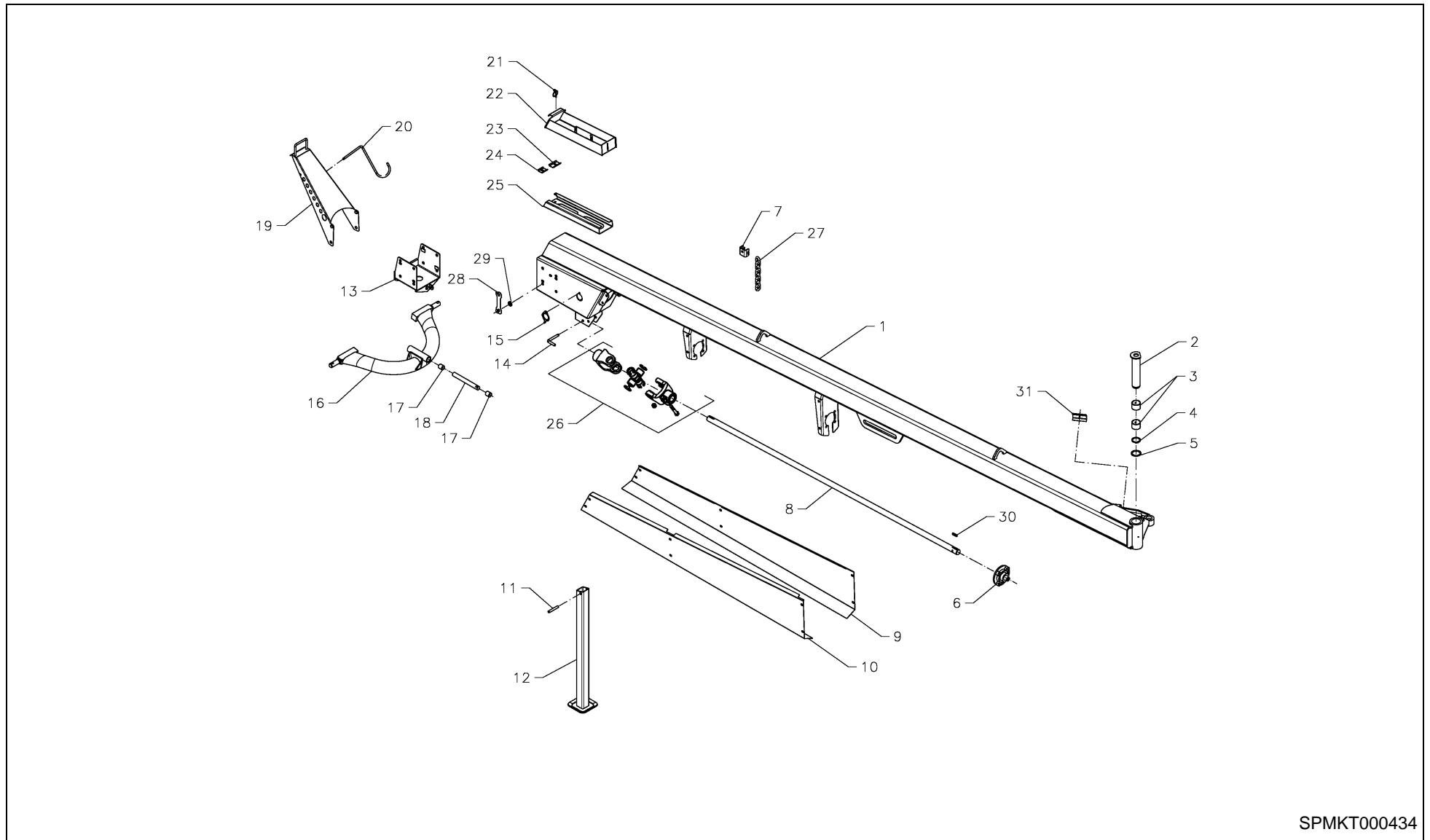
SPMKT000407

EXTRA 835CT / Spring, hydraulic cylinder, RH



PosNo.	Part No.	Qty.	Description	Remark
41	KT9042000086	1	ARM	
42	KT9042700061	1	THREAD PIECE	
43	KT5616500061	3	WASHER	
44	KT9126000061	1	DISC	
45	KG00473861		HEX. SCREW M10X14 8.8	
46	KT9125900061	1	BUSHING	
47	KT99333832	1	LOCK WASHER 10,3 X 16,6 NORDLOCK	
48	KG00474361		HEX. SCREW M10X30 8.8	
49	KT3130700061	1	RING	
50	KG01267461		WASHER M10	

EXTRA 835CT / DRAWBAR



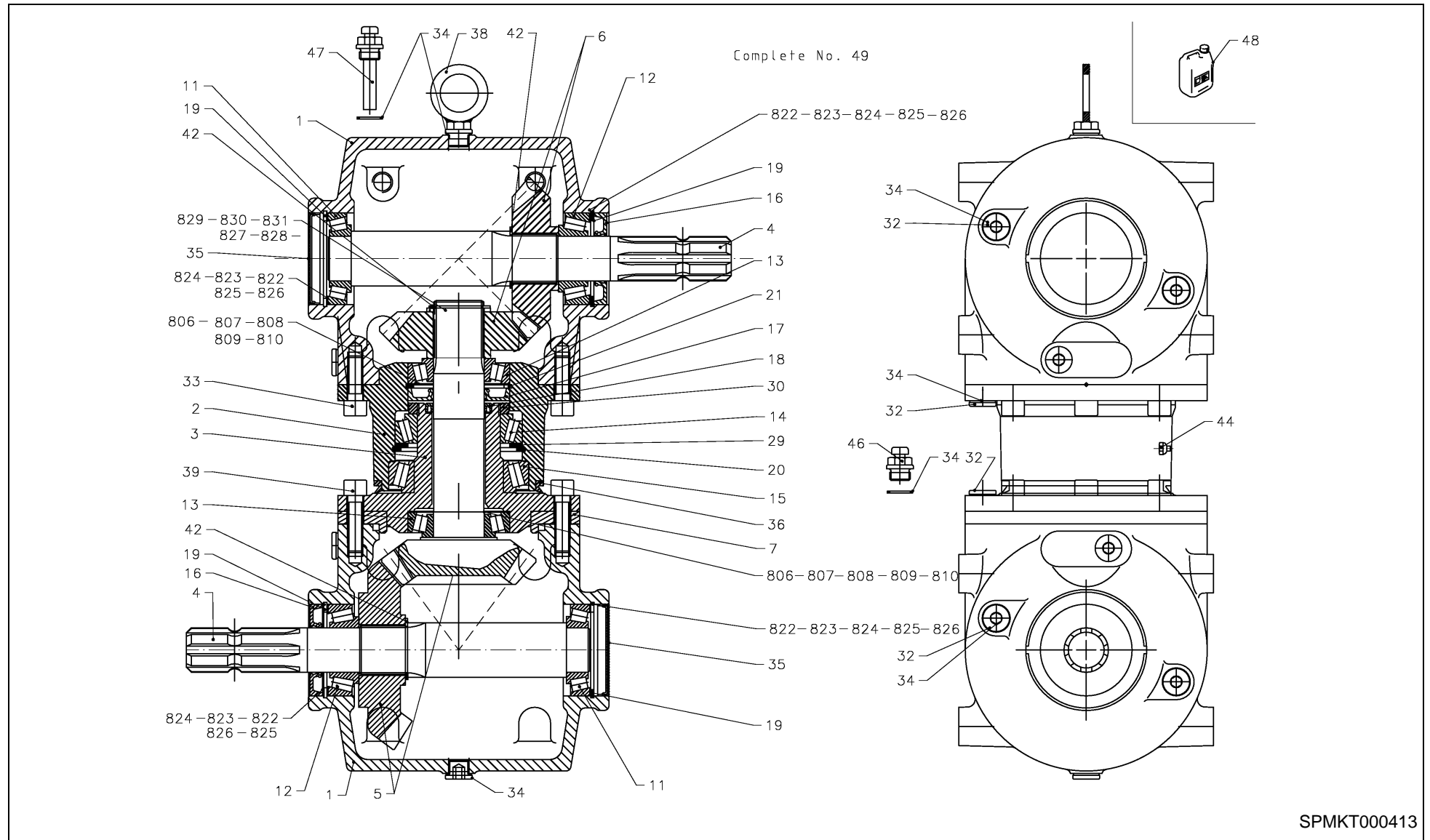
SPMKT000434



EXTRA 835CT / DRAWBAR

PosNo.	Part No.	Qty.	Description	Remark
1	KT9032400086	1	DRAWBAR CT	
2	KT6823110061	1	SHAFT	
3	KT99158090	2	GLACIER BUSHING PM 5040 DX	
4	KG01110400	1	CIRCLIP-A 50 X 2	
5	KT99350537	1	SEEGER SUPPORT DISC SS50-62-3	
6	KT99125012	1	FLANGE BEARING Ø35	
7	KT9088100061	1	BRACKET	
8	KT9033000001	1	SHAFT	
9	KT9032900086	1	GUARD RH	
10	KT9032800086	1	GUARD LH	
11	KT6056800061	1	COTTER BOLT	
12	KT3877810086	1	SUPPORT LEG	
13	KT9032500086	1	CONSOLE	
14	KT3626300061	1	PIN BOLT	
15	KT2844700061	2	COVER	
16	KT3877520086	1	YOKE	
17	KT99158066	2	GLACIER BUSHING PM 2530 DX	
18	KT3877610061	1	SHAFT	
19	KT9074810086	1	CONSOLE	
20	KT9074900061	1	HOOK	
21	KT99331901	1	LINCH PIN Ø 6	
22	KT9074700086	1	TOOL BOX	
23	KT9075000061	1	PLATE	
24	KT9075100061	1	PLATE	
25	KT9074600086	1	CONSOLE	
26	KT99244485	1	UNIVERSAL JOINT, COMPLETE	
27	KT9089900061	1	CHAIN FOR GUARD (750 MM.)	
28	KT9117700061	4	LOCK PLATE	
29	KT99333835	8	LOCK WASHER 17-30,7 ST NORDLOCK	
30	KG01309000	1	KEY 10X8X45	
31	KT9117600061	1	FIXTURE	

EXTRA 835CT / Swivel gear, complete

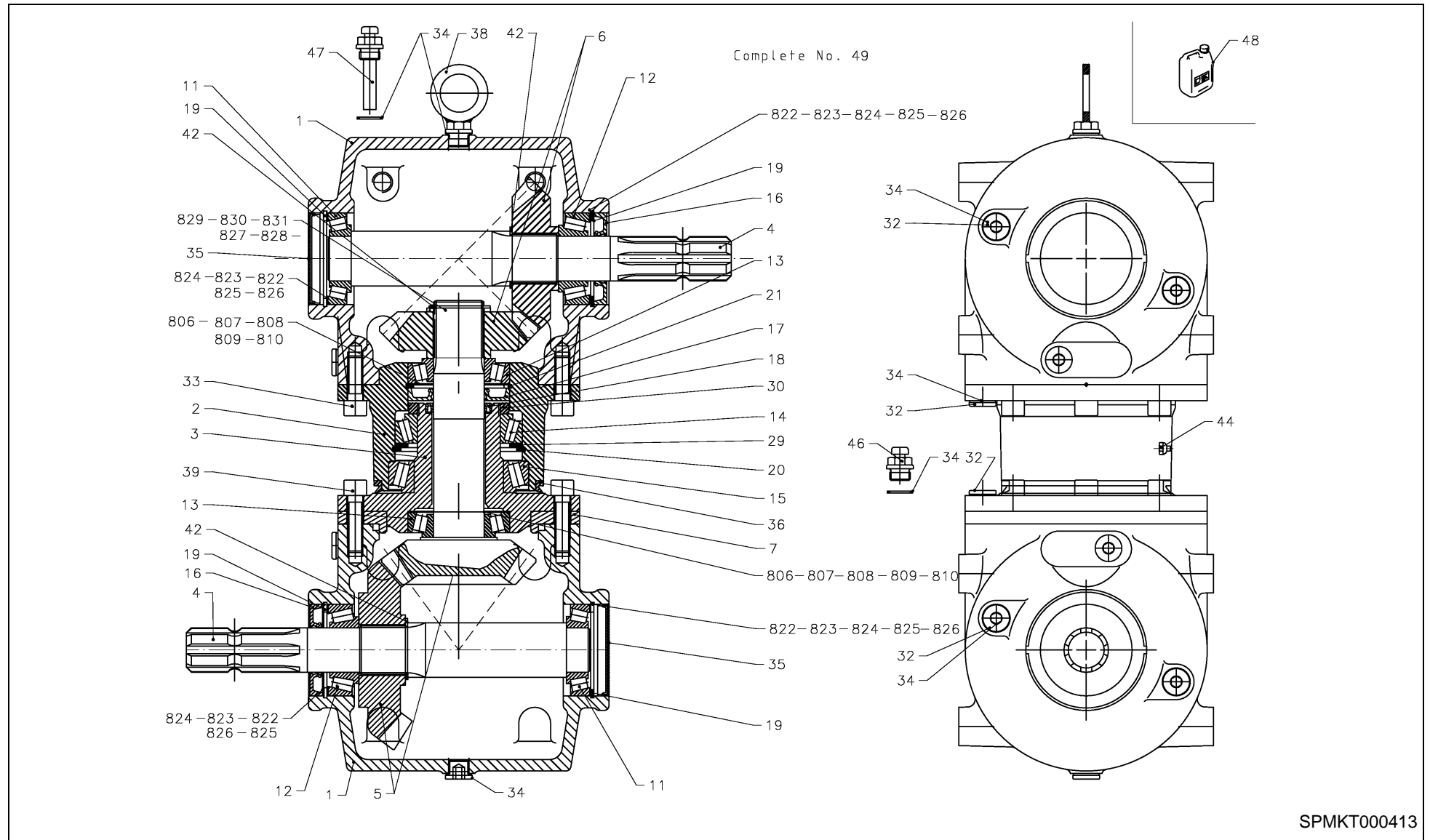




EXTRA 835CT / Swivel gear, complete

PosNo.	Part No.	Qty.	Description	Remark
1	KT99255100	2	GEAR BOX CASING	
2	KT99255101	1	GEAR BOX CASING	
3	KT99255102	1	GEAR BOX CASING	
4	KT99255103	2	SHAFT	
5	KT99255104	1	GEAR WHEEL SET	
6	KT99255105	1	GEAR WHEEL SET	
7	KT99255106	1	SPACER	
11	KT99255107	2	ROLLER BEARING 30207A	
12	KT99255108	2	ROLLER BEARING 32207A	
13	KT99255109	2	ROLLER BEARING 32207A	
14	KT99255110	1	ROLLER BEARING 32013 XA	
15	KT99255111	2	ROLLER BEARING 32014 XA	
16	KT99255112	2	SEALING RING Ø35XØ72X10	
17	KT99255113	1	SEALING RING Ø40XØ80X10	
18	KT99255114	1	SEALING RING Ø40XØ52X7	
19	KT99255115	4	CIRCLIP Ø72X2,5	
20	KT99255116	2	CIRCLIP Ø100X3,0	
21	KT99255117	1	CIRCLIP Ø80X2,5	
29	KT99255118	1	SPACER Ø90XØ100X3,5	
30	KT99255119	1	SLOTTED ROUND NUT M65X2	
32	KT99255120	8	PLUG	
33	KT99255121	6	HEX. SOCKET HEAD CAP SCREW M12X35	
34	KT99255122	12	SEALING RING Ø16XØ20	
35	KT99255123	2	CAP Ø72X9	
36	KT99255124	1	SEALING RING	
38	KT99255125	1	BOLT	
39	KT99255126	6	HEX. SOCKET HEAD CAP SCREW M12X45	
42	KT99255127	3	CIRCLIP Ø39X1,75	
44	KT99255128	1	GREASE NIPPLE	
46	KT99255129	1	VALVE	
47	KT99255229	1	VALVE	
48	KT10101000	1	OIL CAN 1 LTR.	
49	KT99255001	2	SWIVEL GEAR, COMPLETE	
806	KT99255131	2	SHIM Ø72XØ80X0,15	
807	KT99255132	2	SHIM Ø72XØ80X0,1	
808	KT99255133	2	SHIM Ø72X0,80X0,3	
809	KT99255134	2	SHIM Ø72XØ80X0,5	
810	KT99255135	2	SHIM Ø72XØ80X1,0	
822	KT99255136	4	SHIM Ø62XØ72X0,15	
823	KT99255137	4	SHIM Ø62XØ72X0,1	

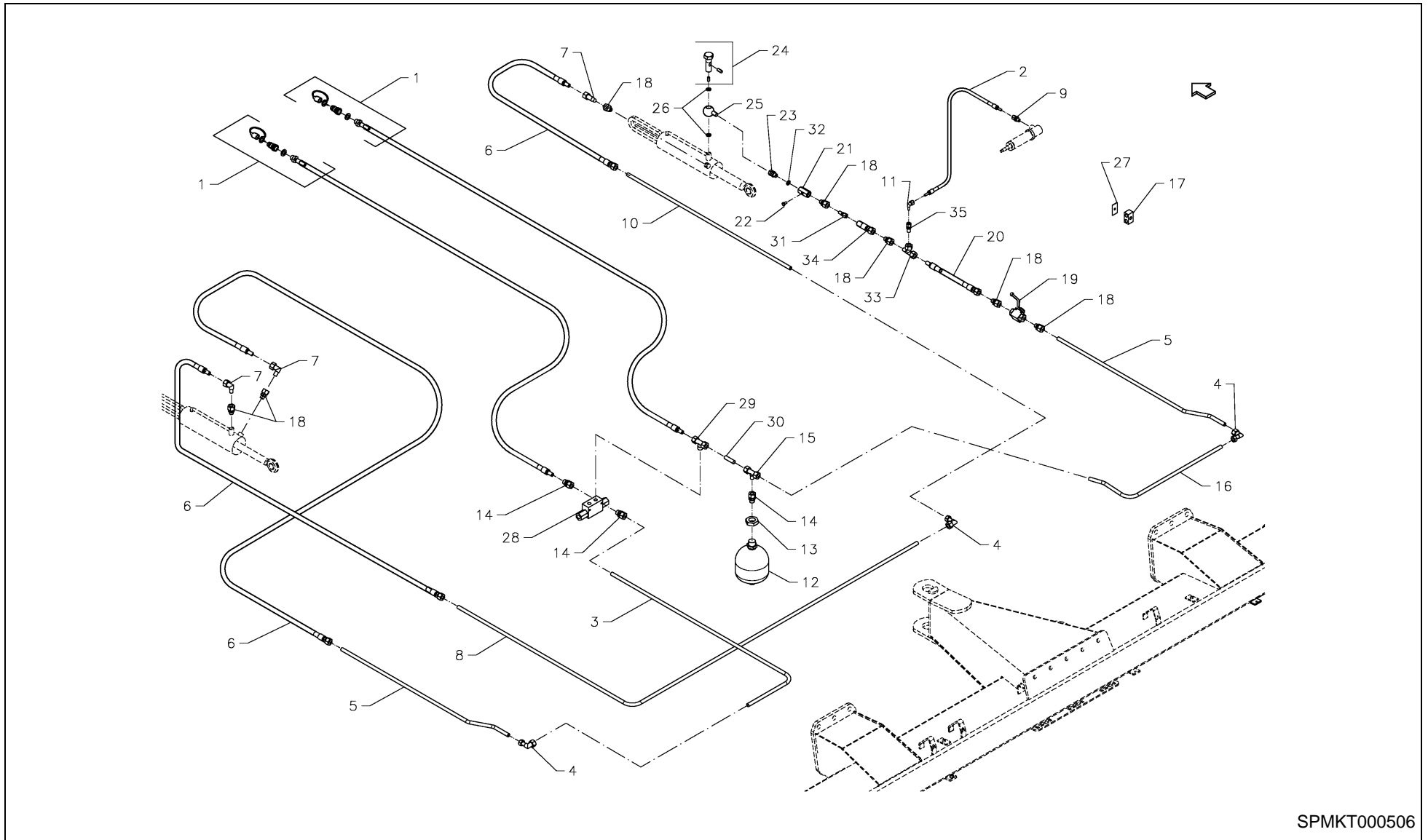
EXTRA 835CT / Swivel gear, complete





EXTRA 835CT / Swivel gear, complete

PosNo.	Part No.	Qty.	Description	Remark
824	KT99255138	4	SHIM Ø62XØ72X0,3	
825	KT99255139	4	SHIM Ø62XØ72X0,5	
826	KT99255140	2	SHIM Ø62XØ72X1,0	
827	KT99255141	2	SHIM Ø40XØ50X2,0	
828	KT99255142	1	SHIM Ø40XØ50X0,5	
829	KT99255143	1	SHIM Ø40XØ50X0,3	
830	KT99255144	1	SHIM Ø40XØ50X0,1	
831	KT99255145	1	SHIM Ø40XØ50X0,15	



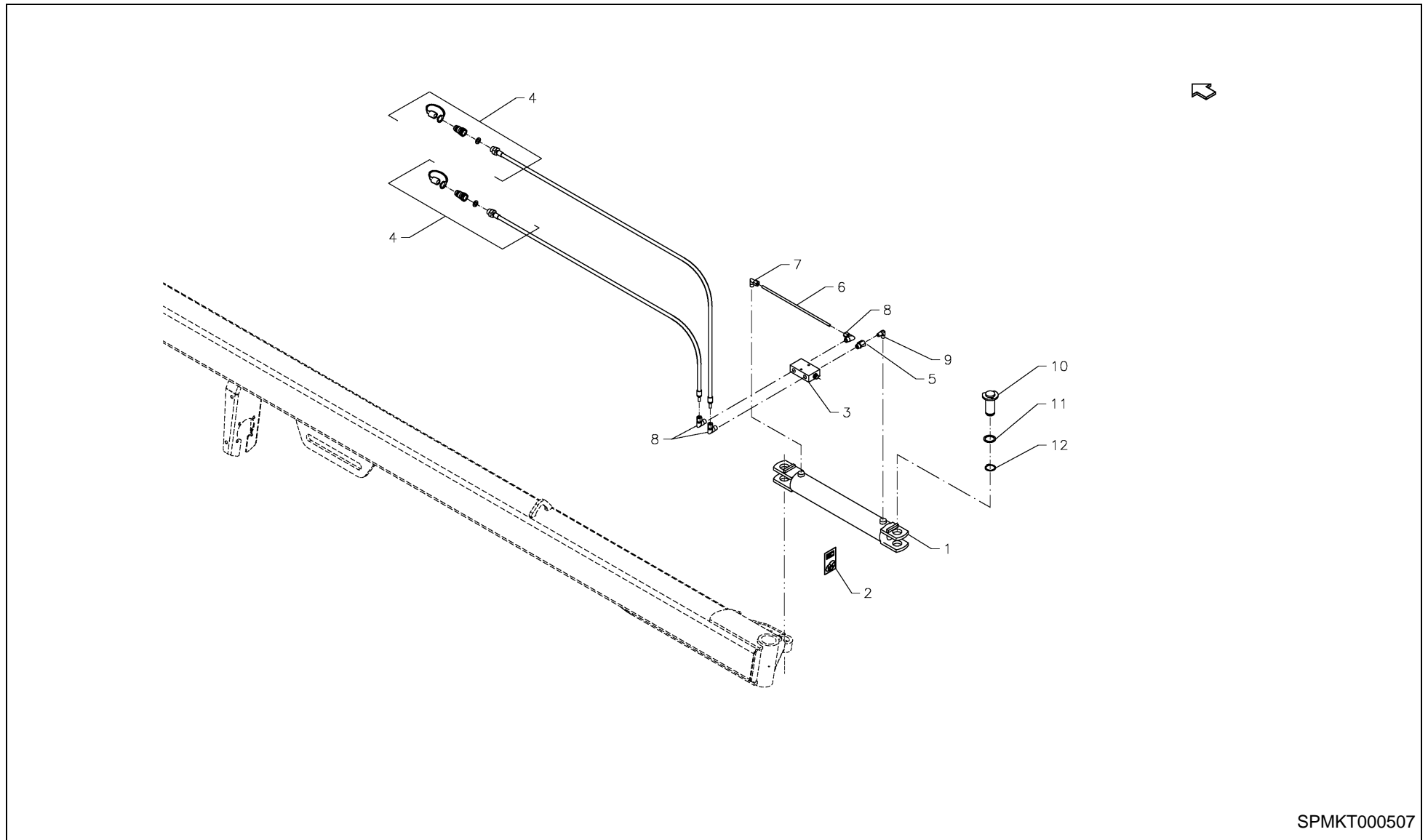
SPMKT000506



EXTRA 835CT / Hydraulic

PosNo.	Part No.	Qty.	Description	Remark
1	KT90652000	2	HYDRAULIC HOSE L= 7720MM	
2	KT91261000	1	HYDRAULIC HOSE L=830 MM	
3	KT90682000	1	HYDRAULIC PIPE L= 1415MM	
4	KT99403015	3	ANGLE SCREW CAP Ø 15	
5	KT90671000	2	HYDRAULIC PIPE L=1015MM	
6	KT90670000	3	HYDRAULIC HOSE L=1126MM	
7	KT99403211	3	ANGLE SCREW-JOINT Ø15-3/8"	
8	KT90681000	1	HYDRAULIC PIPE L= 2870MM	
9	KT99402112	1	STRAIGHT SCREWED CONNECTOR D8L-T76	
10	KT90669000	1	HYDRAULIC PIPE L=1030MM	
11	KT99403204	1	ANGLE SCREW-JOINT	
12	KT99408914	1	ACCUMULATOR 0,75 LTR.	
13	KT99307775	1	COUNTER NUT M33 X 1,5	
14	KT99402113	3	SCREWED CONNECTION Ø15-1/2"	
15	KT99404242	1	ADJUSTABLE T-CONNECTION Ø15	
16	KT90680000	1	HYDRAULIC PIPE L= 795MM	
17	KT99408934	12	DOUBLE PIPE HOLDER	
18	KT99402114	7	SCREWED CONNECTION Ø15-3/8"	
19	KT99407410	1	BLOCK BALL VALVE 3/8	
20	KT90906100	1	HYDRAULIC HOSE L=786 MM	
21	KT9065800061	1	STRAIGHT CONNECTION	
22	KT99402904	1	PLUG 1/4"	
23	KT99402921	1	ADAPTOR 3/8" BSP - 3/8" BSP	
24	KT67602000	1	BANJO BOLT, COMPLETE	
25	KT99402941	1	BANJO CONNECTION	
26	KT99428522	2	COPPER DISC	
27	KT99408943	7	TOP PLATE FOR DOUBLE PIPE CLIP	
28	KT99407540	1	PRESSURE COMPENSATOR VALVE DINOIL VPDB1	
29	KT99404130	1	T-SCREWED CONNECTION	
30	KT91257000	1	HYDRAULIC PIPE L=55MM	
31	KT99402922	1	TUBE CONNECTION Ø15-3/8"	
32	KD0300863	1	3/8 BSP DOWTY WASHER LD	
33	KT99404018	1	L-SCREW JOINT Ø 15	
34	KT99407541	1	SEQUENTIAL VALVE 75 BAR	
35	KT99402927	1	REDUCTION BUSH Ø15-Ø8	

EXTRA 835CT / Hydraulic, drawbar



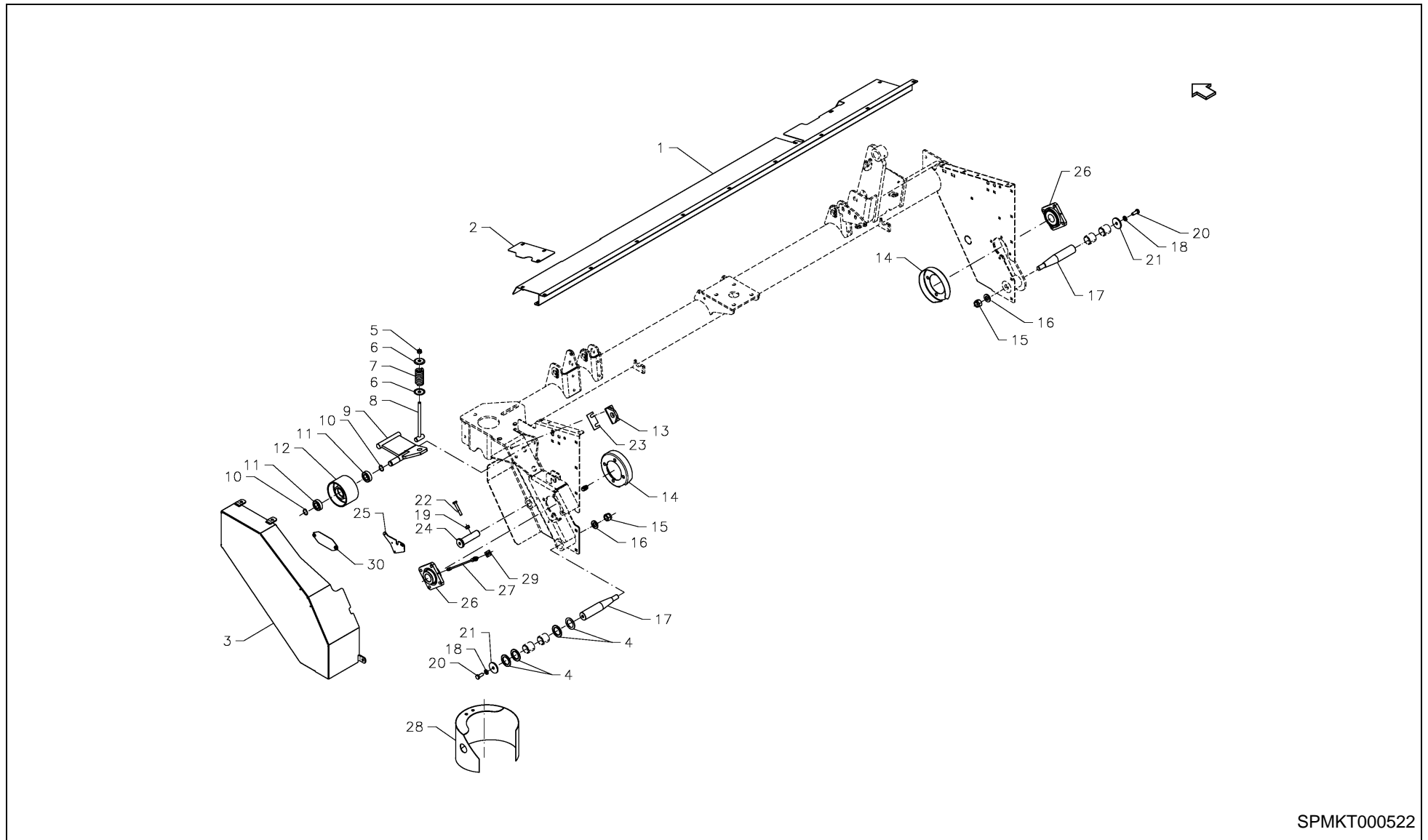
SPMKT000507



EXTRA 835CT / Hydraulic, drawbar

PosNo.	Part No.	Qty.	Description	Remark
1	KT9040500086	1	HYDRAULIC CYLINDER	
2	KT99413144	1	GASKET KIT	
3	KT99407008	1	DOBBLE PILOT-OPERATED CHECK VALVE	
4	KT90659000	2	HYDRAULIC HOSE L= 7720MM	
5	KT49143000	1	ADAPTOR 3/8" - 1/4"	
6	KT90660000	1	HYDRAULIC PIPE L=362MM	
7	KT99403220	1	ELBOW CONNECTION Ø8 - 1/4"	
8	KT99403221	3	ELBOW CONNECTION Ø8 - 3/8"	
9	KT99403804	1	ELBOW ADAPTOR 1/4" - 1/4"	
10	KT9051210061	2	COTTER BOLT	
11	KT56227000	2	SUPPORTING DISC	
12	KG01109300	2	CIRCLIP-A 35 X 1.5	

EXTRA 835CT / Secondary frame



SPMKT000522



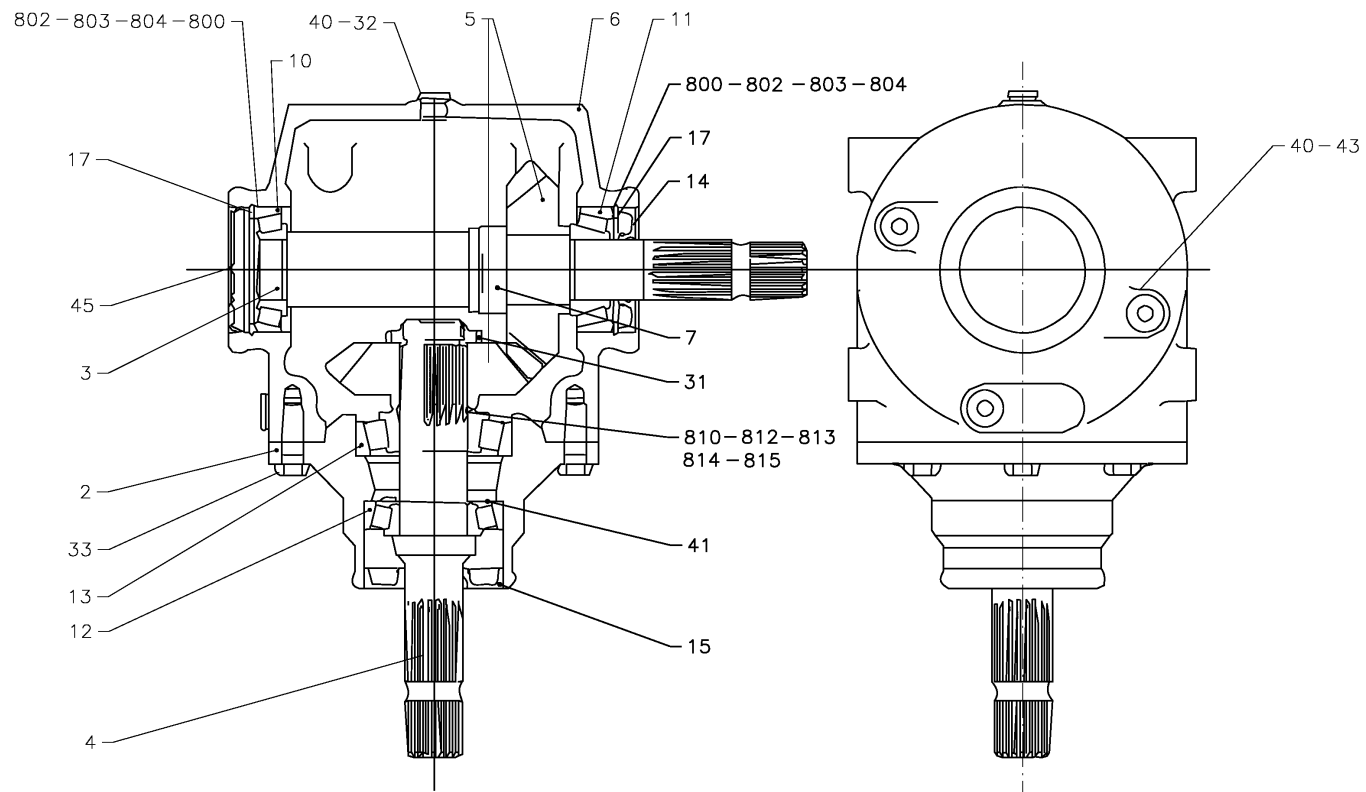
EXTRA 835CT / Secondary frame

PosNo.	Part No.	Qty.	Description	Remark
1	KT9049500094	1	PLATE 3,5M	
2	KT9047400086	1	PLATE	
3	KT9034400094	1	GUARD	
4	KT9079000061	4	SPACER	
5	KG01064261	1	LOCK NUT M12 8	
6	KT9063000061	4	WASHER	
7	KT4837700061	1	SPRING	
8	KT9053600061	1	SPINDLE	
9	KT9034910086	1	CONSOLE	
10	KG01108300	2	OUTER RETAINING RING-A 25 X 1.2	
11	KG01378900	2	BALL BEARING 6205-2RS	
12	KT6245600001	1	JOCKEY ROLLER	
13	KT9053510061	1	BRACKET	
14	KT9034510061	2	GUARD	
15	KG01064661	2	LOCK NUT M20 8	
16	KT5882400061	4	WASHER	
17	KT9046900061	2	SHAFT	
18	KG01267561	2	WASHER M12	
19	KG01064161	2	LOCK NUT M10 8	
20	KG00476561	2	HEX. SCREW M12X30 8.8	
21	KT5874000061	4	WASHER	
22	KG00355761	2	HEX. BOLT M10X65 8.8	
23	KT9078900061	4	SHIM	
24	KT9035200061	1	SHAFT	
25	KT9087600061	1	BRACKET	
26	KT9085300097	4	BEARING, COMPLETE	
27	KT69540000	1	NYLON PIPE 6X3 MM, L = 365 MM	
28	KT9081010094	1	GUARD LH	
29	KT6953600061	1	BRACKET	
30	KT9127600061	1	COVER PLATE	

EXTRA 835CT / Centre gear box, complete



Complete No. 1

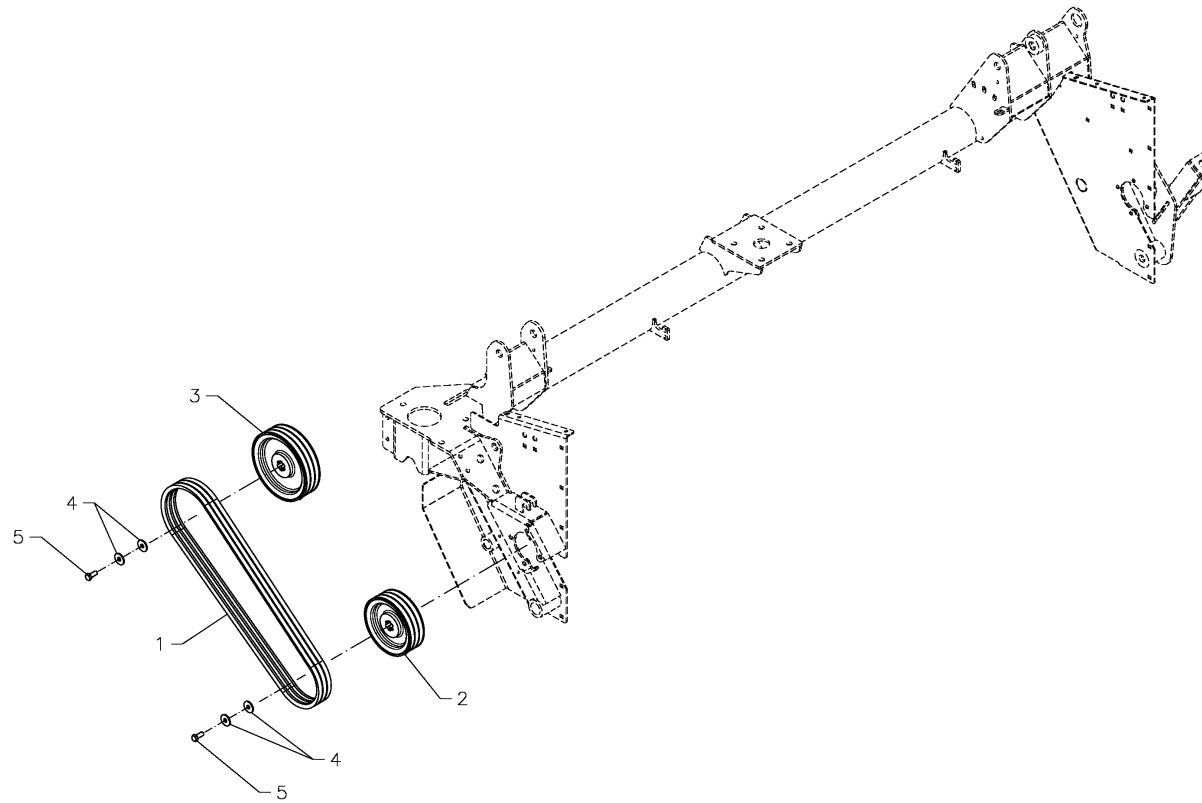


SPMKT000205



EXTRA 835CT / Centre gear box, complete

PosNo.	Part No.	Qty.	Description	Remark
1	KT99255006	1	CENTRE GEAR BOX	
2	KT99255221	1	GEAR CASE GT-50 (RT=502213)	
3	KT99255222	1	SHAFT GT-45LA	
4	KT99255223	1	SHAFT GT-45LA	
5	KT99255105	1	GEAR WHEEL SET	
6	KT99255100	1	GEAR BOX CASING	
7	KT99255224	1	SPACER RING	
10	KT99255107	1	ROLLER BEARING 30207A	
11	KT99255108	1	ROLLER BEARING 32207A	
12	KT99255109	1	ROLLER BEARING 32207A	
13	KT99255156	1	ROLLER BEARING 30308A	
14	KT99255112	1	SEALING RING Ø35XØ72X10	
15	KT99255225	1	RADIAL SEAL 35X80X10 DIN3760	
17	KT99255115	2	CIRCLIP Ø72X2,5	
31	KT99255226	1	SLOTTED ROUND NUT FOR HOOK SPAR. M35X1,5	
32	KT99255120	3	PLUG	
800	KT99255137	3	SHIM Ø62XØ72X0,1	
33	KT99255227	6	HEXAGON HEAD SCREW M12X35 ISO4017	
802	KT99255138	3	SHIM Ø62XØ72X0,3	
803	KT99255139	2	SHIM Ø62XØ72X0,5	
804	KT99255140	2	SHIM Ø62XØ72X1,0	
40	KT99255122	4	SEALING RING Ø16XØ20	
41	KT99255228	1	NILOS RING 30208 JV	
810	KT99255144	2	SHIM Ø40XØ50X0,1	
43	KT99255129	1	VALVE	
812	KT99255143	2	SHIM Ø40XØ50X0,3	
45	KT99255123	1	CAP Ø72X9	
813	KT99255142	1	SHIM Ø40XØ50X0,5	
814	KT99255172	1	SHIM Ø40XØ50X1,0	
815	KT99255141	1	SHIM Ø40XØ50X2,0	



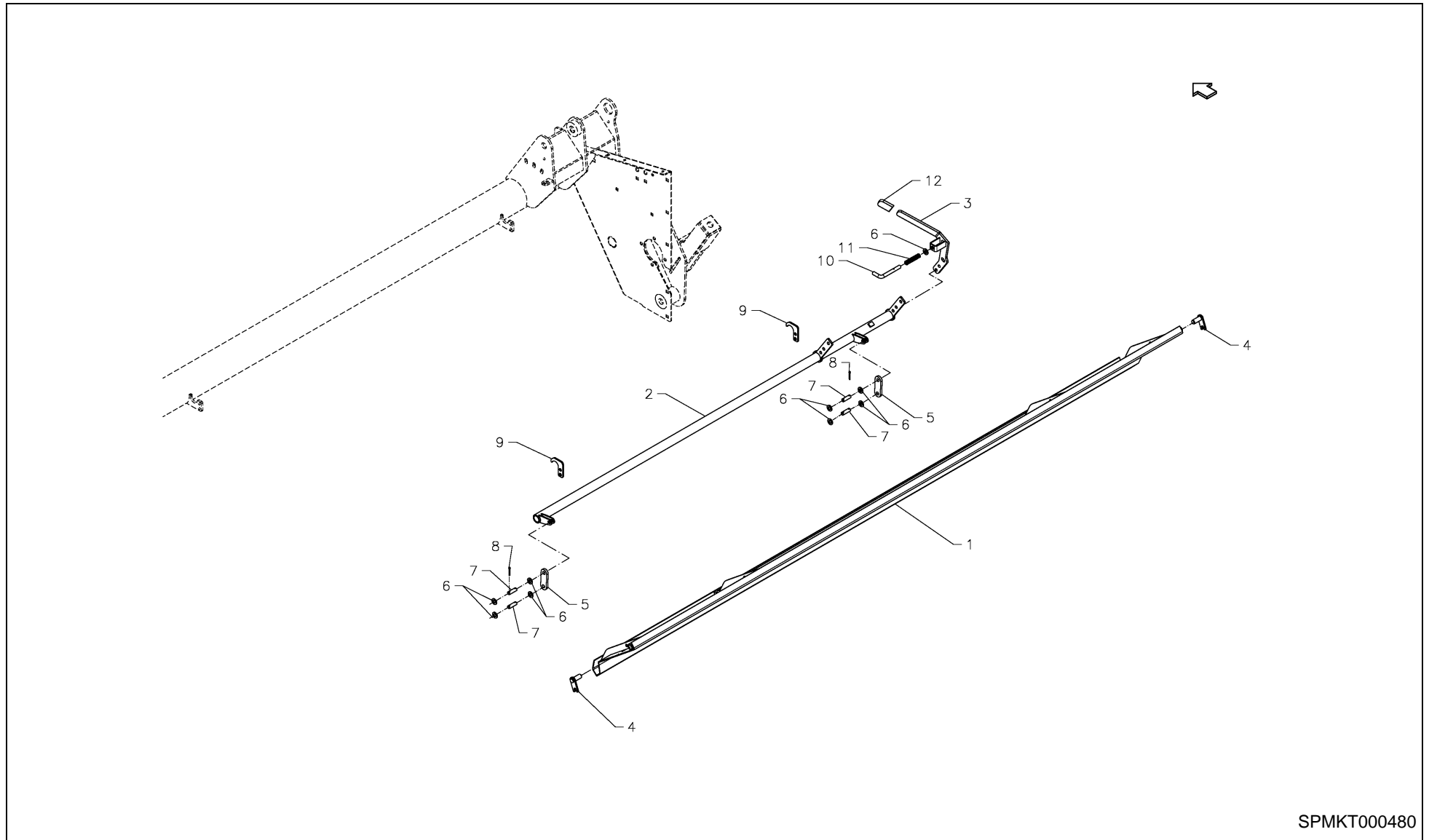
SPMKT000195



EXTRA 835CT / Transmission

PosNo.	Part No.	Qty.	Description	Remark
1	KT99202435	1	SET OF V-BELTS LW 1860 (SET = 3 PCS.)	
2	KT6828400001	1	V-BELT PULLEY 3 SPB Ø190 MM	
3	KT6828300001	1	V-BELT PULLEY 3 SPB Ø225 MM	
4	KT55670000	4	WASHER (DISC)	
5	KG00476561	4	HEX. SCREW M12X30 8.8	

EXTRA 835CT / Conditioner plate

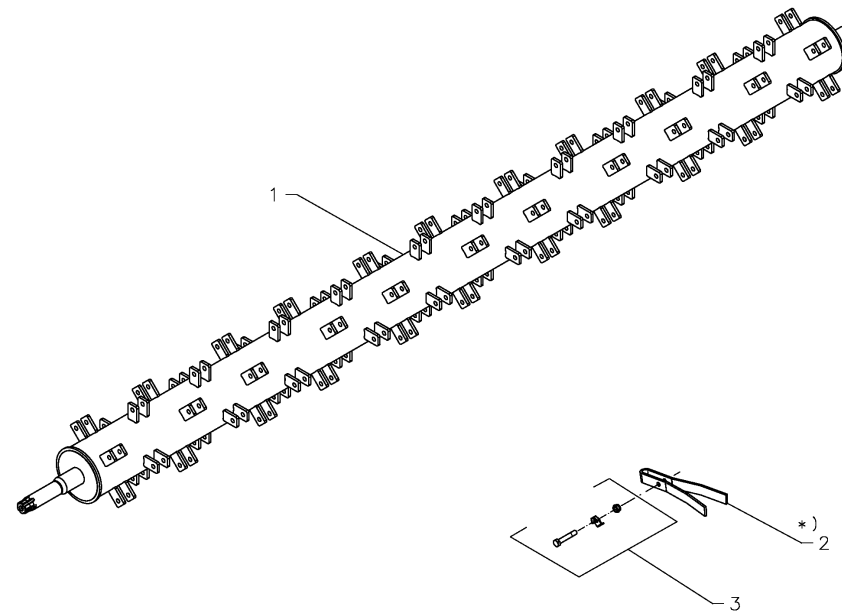


SPMKT000480



EXTRA 835CT / Conditioner plate

PosNo.	Part No.	Qty.	Description	Remark
1	KT9118100086	1	CONDITIONER PLATE 3,5M / 3,6M	
2	KT9047610086	1	REGULATING ROD	
3	KT9046110086	1	HANDLE	
4	KT9046400061	2	COTTER BOLT	
5	KT9034700086	2	CONNECTING LINK	
6	KG01267561		WASHER M12	
7	KT9046300061	4	COTTER BOLT	
8	KG01251561		SPLIT PIN 4X25 ST	
9	KT9034800061	2	LOCK PLATE	
10	KT6827100061	1	COTTER BOLT	
11	KT1769300061	1	SPRING	
12	KT38218000	1	PLASTIC HANDLE	



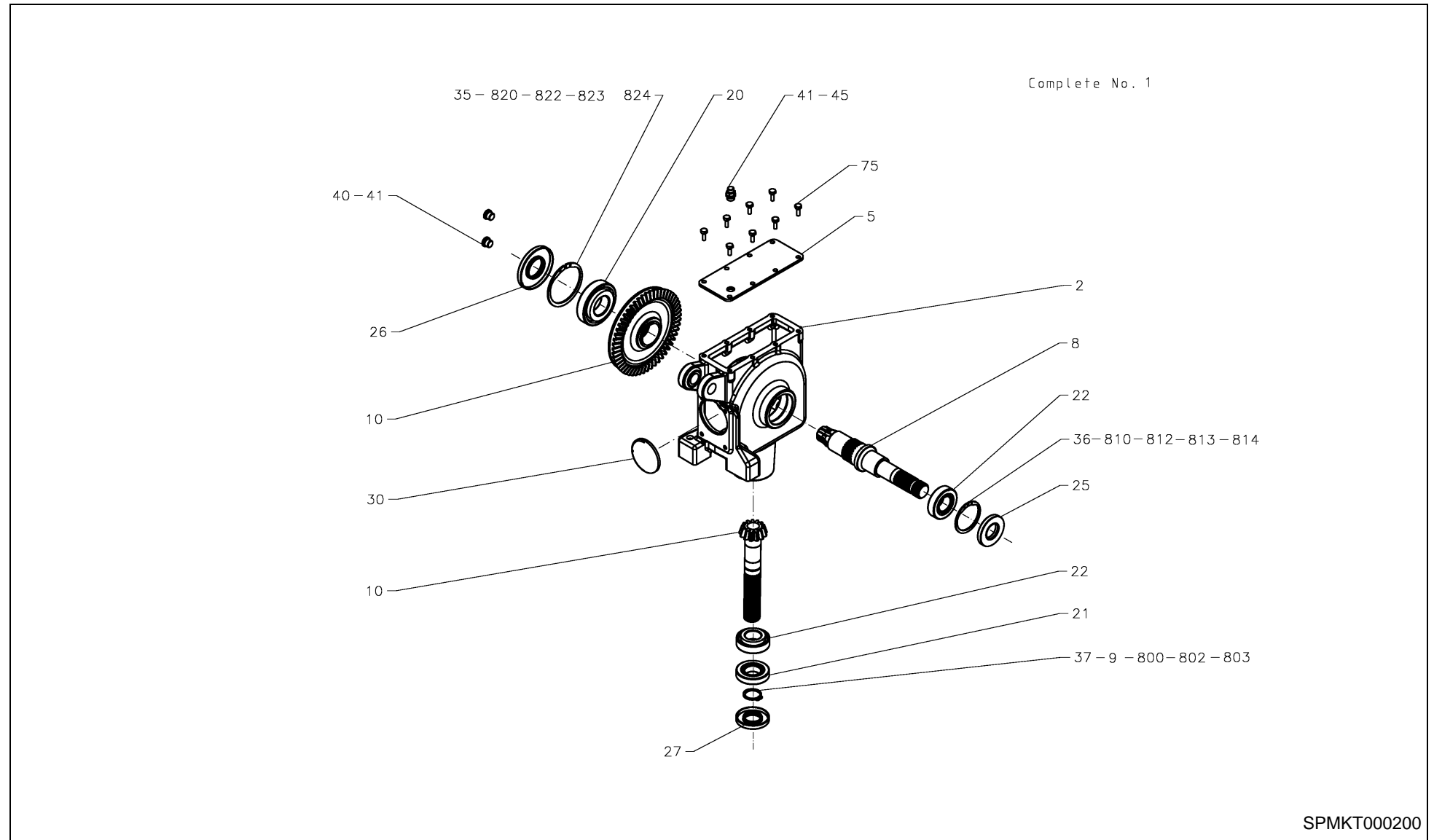
*) Total number on the machine : 84 pcs.



EXTRA 835CT / Rotor

PosNo.	Part No.	Qty.	Description	Remark
1	KT9030120086	1	ROTOR 3,5M / 3,6 M	
2	KT90276000	1	SPARE PART KIT (SET = 10 PCS.)	
3	KT90278000	1	BOLT KIT (SET = 10 PCS.)	

EXTRA 835CT / Main gear box, complete

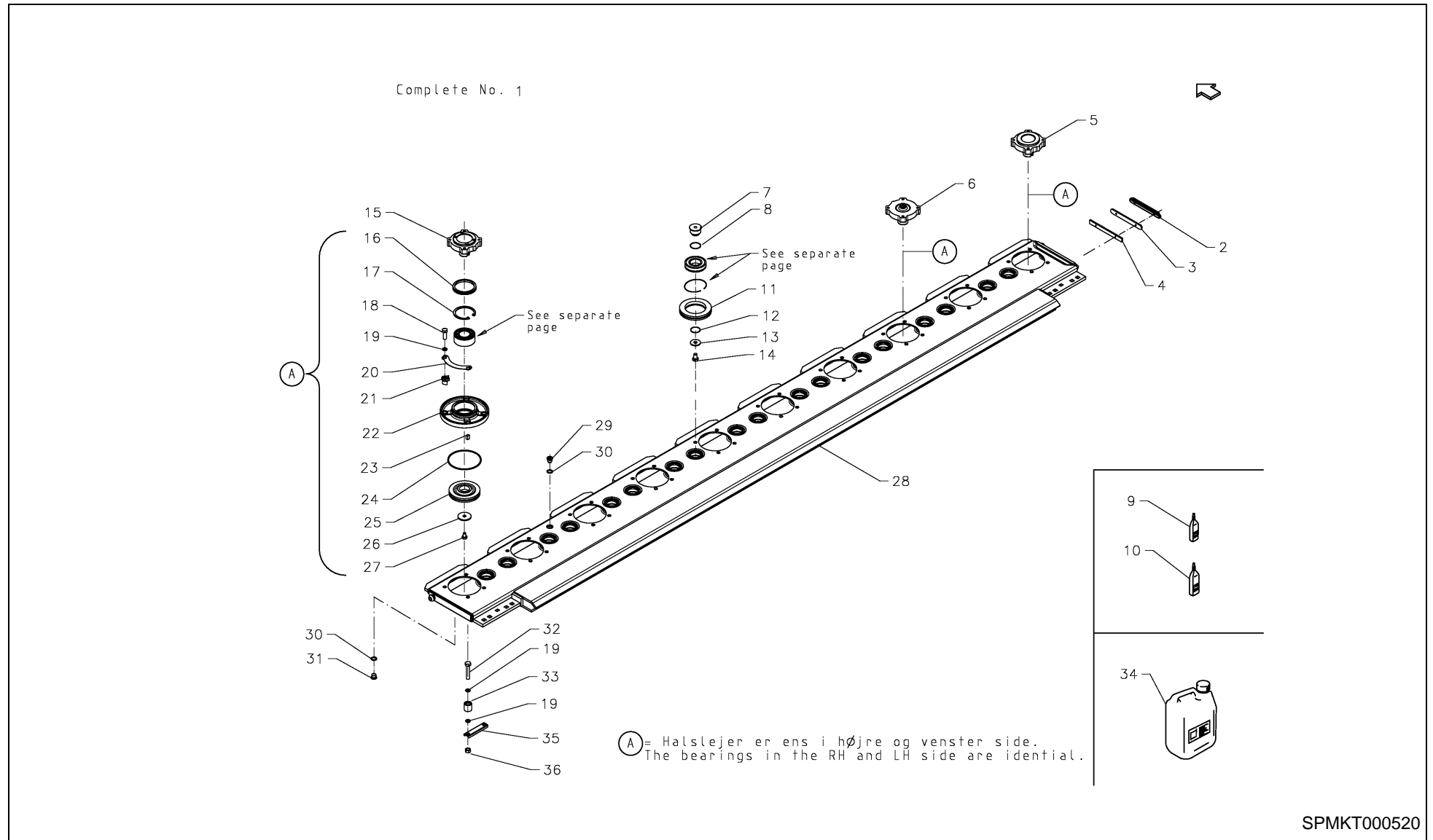




EXTRA 835CT / Main gear box, complete

PosNo.	Part No.	Qty.	Description	Remark
1	KT99255002	1	GEAR BOX	
2	KT99255146	1	GEAR BOX	
5	KT99255148	1	COVER	
8	KT99255176	1	SHAFT	
9	KT99255152	1	RING	35,1x70x0,5
10	KT99255153	2	GEAR WHEEL SET	
20	KT99255155	1	ROLLER BEARING 30309A	
21	KT99255107	1	ROLLER BEARING 30207A	
22	KT99255108	2	ROLLER BEARING 32207A	
25	KT99255112	1	SEALING RING Ø35XØ72X10	
26	KT99255157	1	SEALING RING Ø45Ø100X10	
27	KT99255158	1	SEALING RING Ø35XØ72X10	
30	KT99255160	1	CAP Ø80X8	
800	KT99255165	2	SHIM Ø35XØ45X0,1	
802	KT99255166	1	SHIM Ø35XØ45X0,3	
35	KT99255116	1	CIRCLIP Ø100X3,0	
803	KT99255167	1	SHIM Ø35XØ45X0,5	
36	KT99255115	1	CIRCLIP Ø72X2,5	
37	KT99255161	1	CIRCLIP Ø35X2,5	
40	KT99255120	2	PLUG	
41	KT99255121	3	HEX. SOCKET HEAD CAP SCREW M12X35	
810	KT99255137	4	SHIM Ø62XØ72X0,1	
812	KT99255138	2	SHIM Ø62XØ72X0,3	
45	KT99255129	1	VALVE	
813	KT99255139	2	SHIM Ø62XØ72X0,5	
814	KT99255140	2	SHIM Ø62XØ72X1,0	
820	KT99255168	2	SHIM Ø90XØ100X0,1	
822	KT99255169	1	SHIM Ø90XØ100X0,3	
823	KT99255170	1	SHIM Ø90XØ100X0,5	
824	KT99255171	1	SHIM Ø90XØ100X1,0	
75	KT99255163	8	HEX HEAD SCREW M8X20	

EXTRA 835CT / Cutterbar

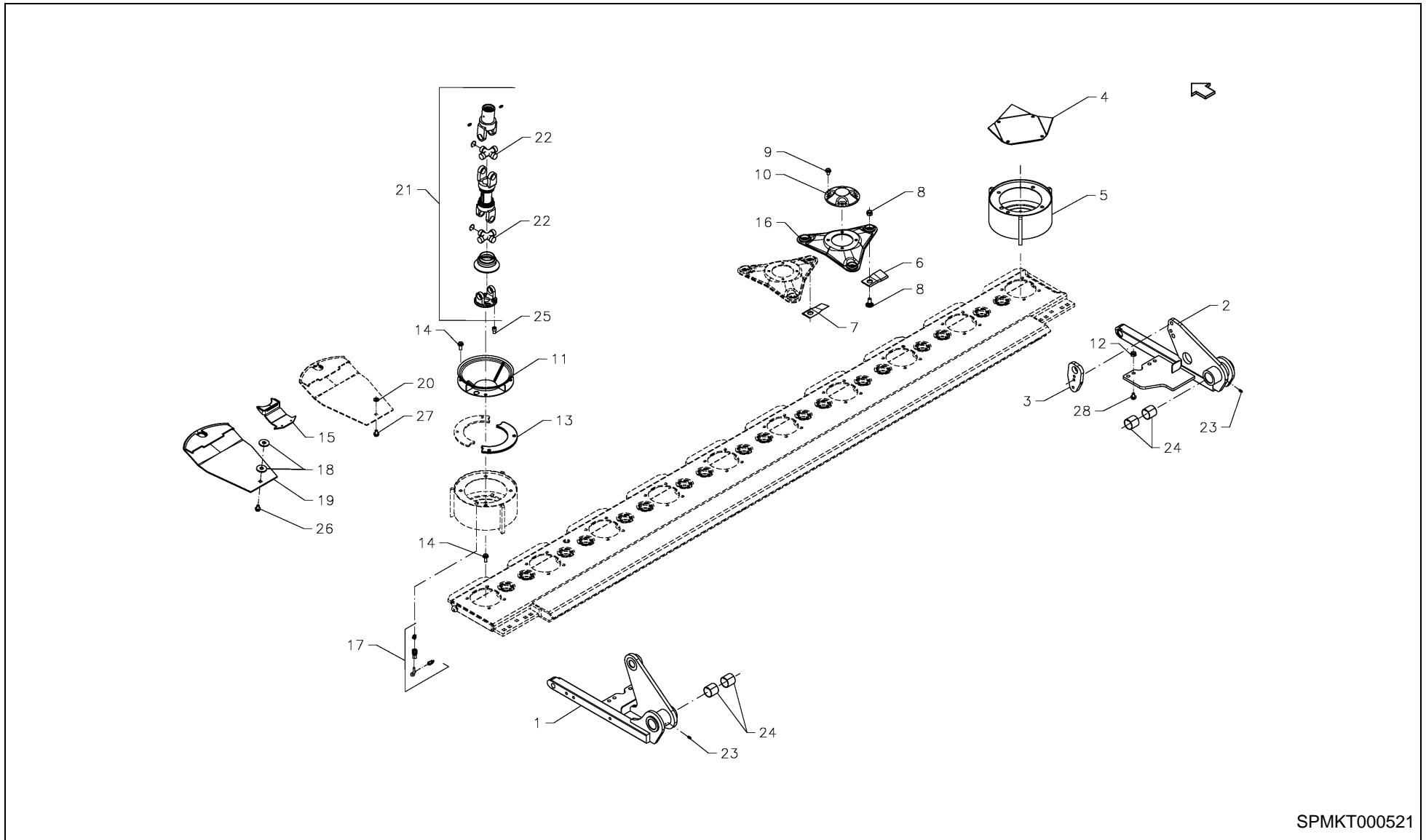




EXTRA 835CT / Cutterbar

PosNo.	Part No.	Qty.	Description	Remark
1	KT5521200086	1	CUTTERBAR COMPLETE 3,5M	
2	KT5564900061	1	COVER	
3	KT55651000	1	GASKET	
4	KT5565000001	1	PATCH	
5	KT5512600001	1	HUB	
6	KT5512300001	8	HUB	
7	KT5564400001	18	AXLE JOURNAL	
8	KT99420238	18	OIL SEAL Ø37,1 X 1,6	
9	KT99457134	1	LOCTITE TUBE 3 G	
10	KT99457135	1	LOCTITE TUBE 10 G	
11	KT5564210001	18	GEAR WHEEL Z=32	
12	KT99420125	18	OIL SEAL Ø34,2X3	
13	KT5567000001	18	WASHER	
14	KG00476261	18	HEX. SCREW M12X20 8.8	
15	KT5512400001	1	HUB	
16	KT99421068	10	SEALING RING 75A	
17	KG01130900	10	CIRCLIP-B 80 X 2.5	
18	KG01840800	36	HEX. SCREW M12X35 10.9 4017	
19	KT99420109	44	OIL SEAL Ø10,69X3,53	
20	KT5572910061	20	LOCK PLATE	
21	KT5564610001	36	NUT	
22	KT5512200001	10	CASING	
23	KT99354122	10	KEY 10-8-16	
24	KT99420286	10	OIL SEAL Ø120,24X3,53	
25	KT5574900001	10	GEAR WHEEL Z=31	
26	KT5515400001	10	WASHER 11/50-4	
27	KG00473961	10	HEX. SCREW M10X16 8.8	
28	KT5513120086	1	10-DISCS CUTTERBAR REINFORCED	
29	KT99462633	1	PLUG M16X1,5	
30	KT99462718	2	DISC Ø16-Ø22X1	
31	KT99458109	1	TUBE PLUG M16X1,5	
32	KT99302819	4	STEEL BOLT M12X65	
33	KT5576600001	4	SPACER BUSHING	
34	KT10105000	1	OIL CAN 5 LTR.	
35	KT5576700001	2	LOCK PLATE	
36	KG01840900	4	HEX. NUT M12 10 4032	

EXTRA 835CT / Transmission, cutterbar

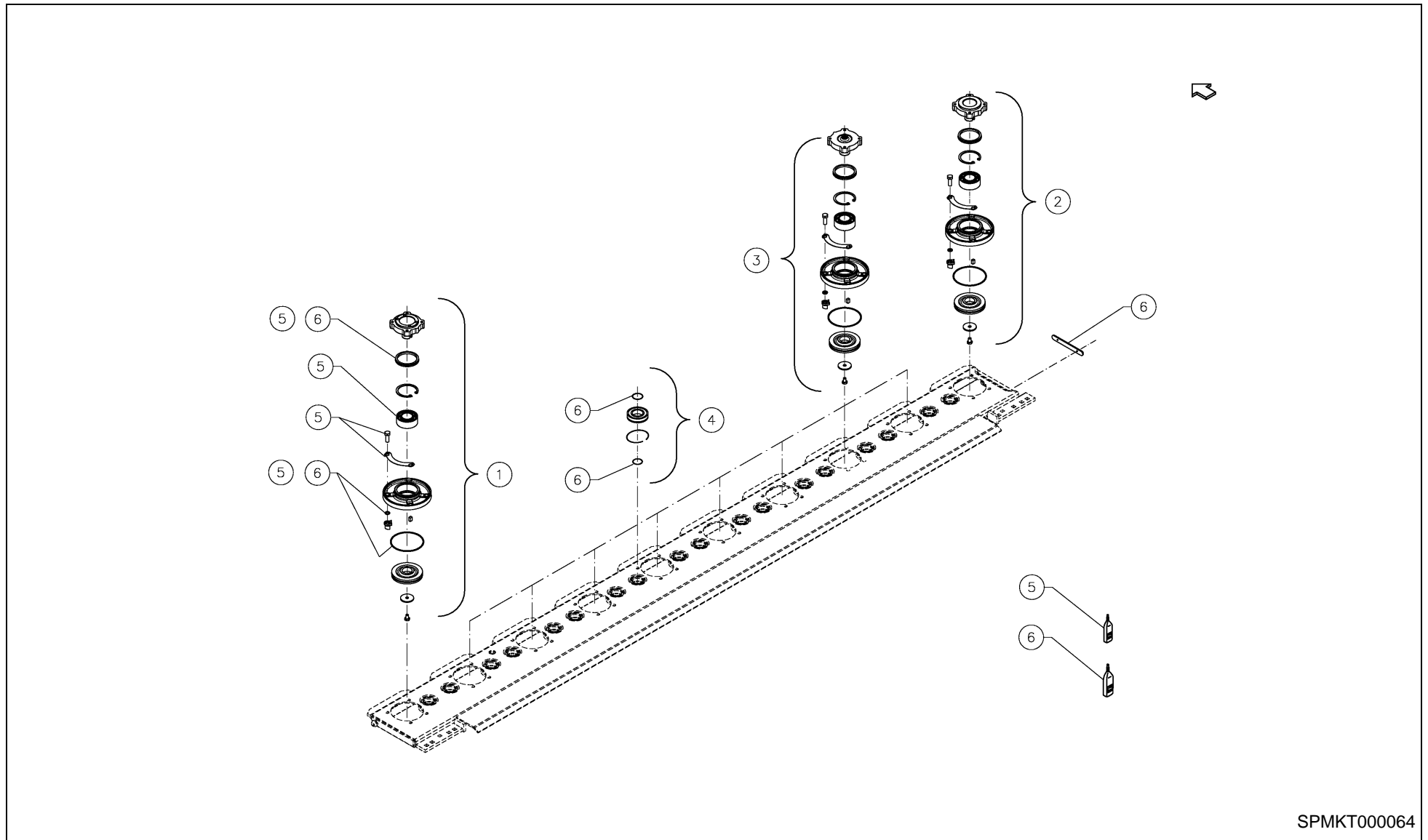




EXTRA 835CT / Transmission, cutterbar

PosNo.	Part No.	Qty.	Description	Remark
1	KT9030800086	1	CONSOLE, LH	
2	KT9035710086	1	CONSOLE RH	
3	KT9031020061	1	BRACKET	
4	KT5516200094	1	TOP PLATE	
5	KT5512710094	2	CONE	
6	KT56783000	1	KNIFE KIT RH CPL. KIT = 25 PCS. (105 MM)	
7	KT56784000	1	KNIFE KIT LH CPL. KIT = 25 PCS. (105 MM)	
8	KT56785000	1	KNIFE BOLT KIT CPL. (25 PCS.)	
9	KT99308824	32	STEEL BOLT (VERBUS RIBB BOLT) M10X16	
10	KT5513700086	8	COVER	
11	KT6865820094	1	TOP CONE	
12	KG01072461	8	LOCK NUT M12 8	
13	KT5524700086	2	RING	
14	KT99308826	16	STEEL BOLT (VERBUS RIBB BOLT) M10X20	
15	KT5513800086	9	COUNTER KNIFE	
16	KT5513600094	10	CUTTING DISC	
17	KT69708000	1	LUBRICATION PIPE L= 115MM, COMPLETE	
18	KT5627100061	4	WASHER	
19	KT5512500086	10	WEARING SOLE	
20	KG01267461	10	WASHER M10	
21	KT55246000	1	UNIVERSAL JOINT, COMPLETE	
22	KT99244511	2	CROSS, COMPLETE	
23	KT99417025	2	GREASING NIPPLE M6	
24	KT99158084	4	BEARING BUSHING PM 40	
25	KG00595400	4	CHEESE HEAD SCREW M10X16 12.9	
26	KT56149000	2	PLOUGH BOLT M10-40	
27	KT45429000	8	PLOUGH BOLT M10-30	
28	KT45431000	8	PLOUGH BOLT M12-35	

EXTRA 835CT / Cutterbar

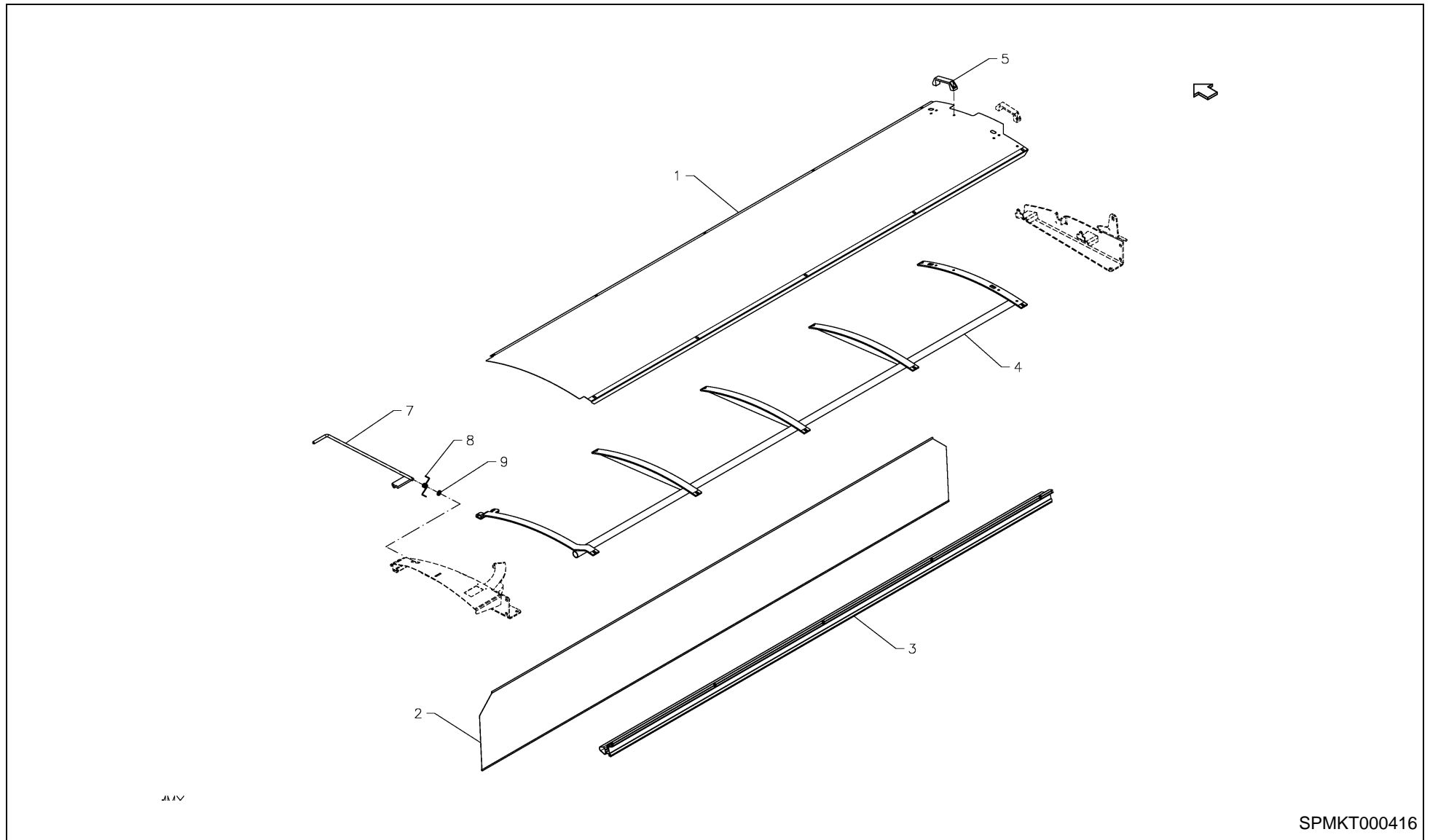


SPMKT000064



EXTRA 835CT / Cutterbar

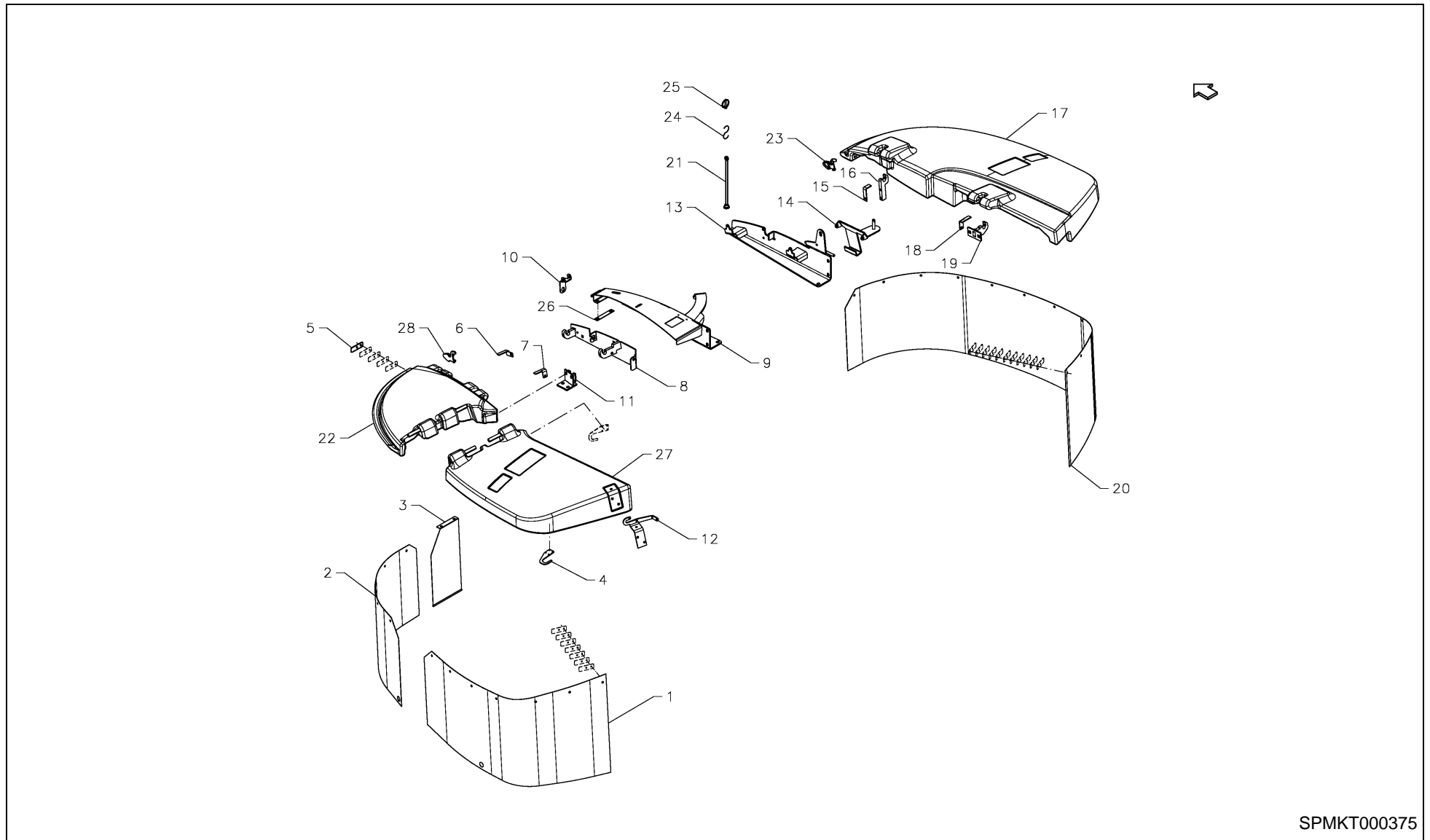
PosNo.	Part No.	Qty.	Description	Remark
1	KT55243000	1	CASING, COMPLETE	
2	KT55245000	1	CASING, COMPLETE	
3	KT55244000	1	CASING, COMPLETE	
4	KT55706100	1	SET OF BEARING	
5	KT55705300	1	SPARE PARTS SET	
6	KT55710300	1	GASKET KIT	





EXTRA 835CT / Guard

PosNo.	Part No.	Qty.	Description	Remark
1	KT9064720094	1	FRONT COVER PLATE	
2	KT90817000	1	TARPAULIN 3.5 M	
3	KT90646100	1	ALUMINUM PROFILE 3,5M	
4	KT9064520086	1	FRAME FRONT GUARD	
5	KT99458238	2	PLASTIC HANDLE	
7	KT9071410061	1	LOCK	
8	KT9072010061	1	SPRING	
9	KG01267561		WASHER M12	



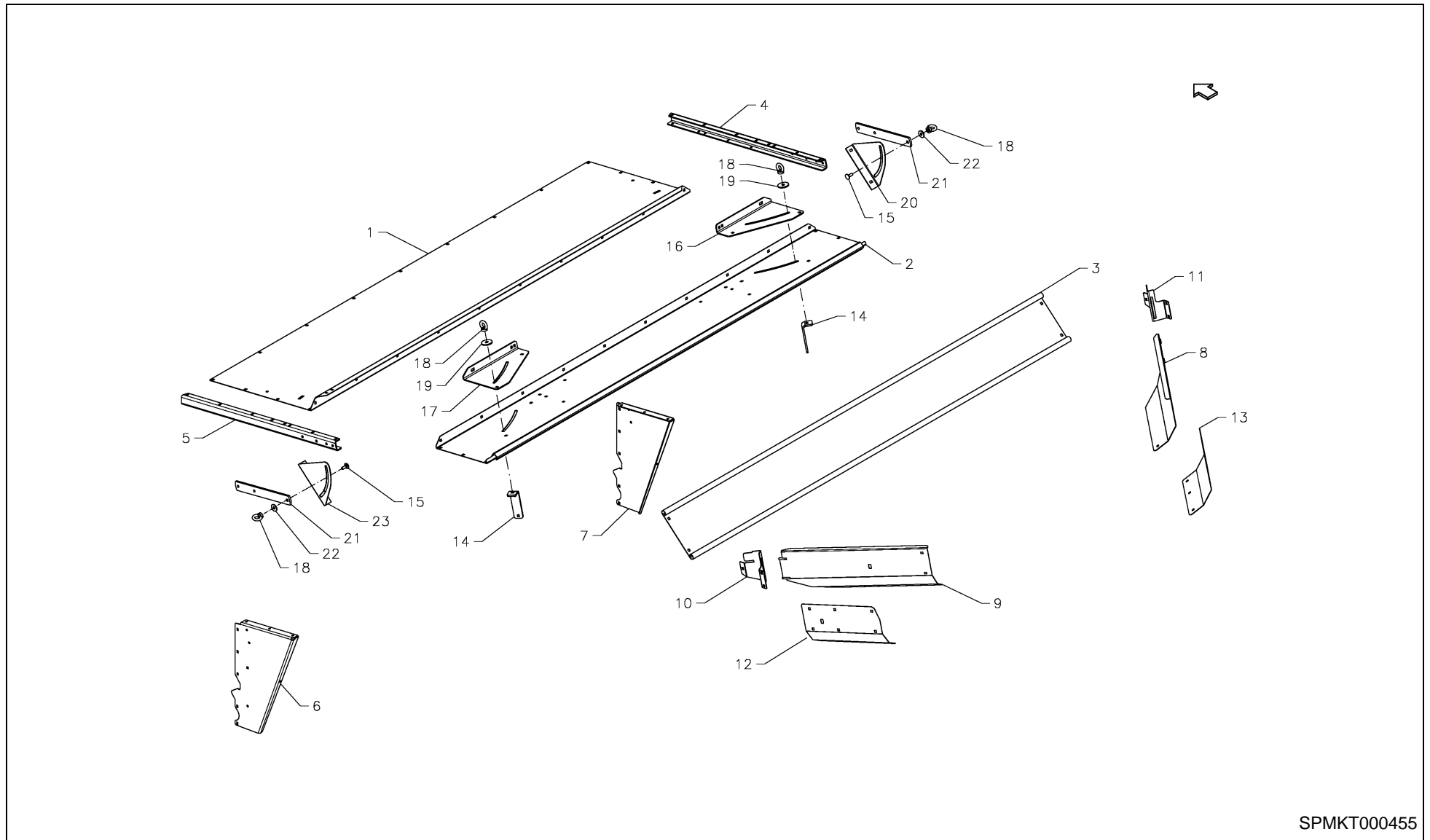
SPMKT000375



EXTRA 835CT / Guard

PosNo.	Part No.	Qty.	Description	Remark
1	KT90819000	1	TARPAULIN	
2	KT90818000	1	TARPAULIN	
3	KT90820000	1	TARPAULIN	
4	KT9089300061	2	HOOK	
5	KT9039900061	23	BRACKET	
6	KT9085700061	1	BRACKET	
7	KT9083600061	1	BRACKET	
8	KT9071300086	1	HINGE, LH	
9	KT9071210086	1	ARM LH	
10	KT9071900061	1	BRACKET	
11	KT9071510061	1	BRACKET LH	
12	KT9071600061	1	BRACKET	
13	KT9060120086	1	ARM FOR GUARD	
14	KT9060220086	1	BRACKET	
15	KT9060400061	1	BRACKET	
16	KT9060300061	1	HINGE	
17	KT9039700086	1	GUARD RH	
18	KT9060900061	1	BRACKET	
19	KT9060500061	1	HINGE	
20	KT90619100	1	TARPAULIN LH	
21	VF06564448	2	CORD	
22	KT90721000	1	PROTECTION GUARD LH	
23	VGLF225	1	CAP, PLASTIC	
24	KT99452096	1	HOOK	
25	KT99331901	1	LINCH PIN Ø 6	
26	KT9071800061	1	BRACKET	
27	KT90859000	1	PROTECTION GUARD LH	
28	VGLF226	1	CAP, PLASTIC	

EXTRA 835CT / Rear end & deflector plate



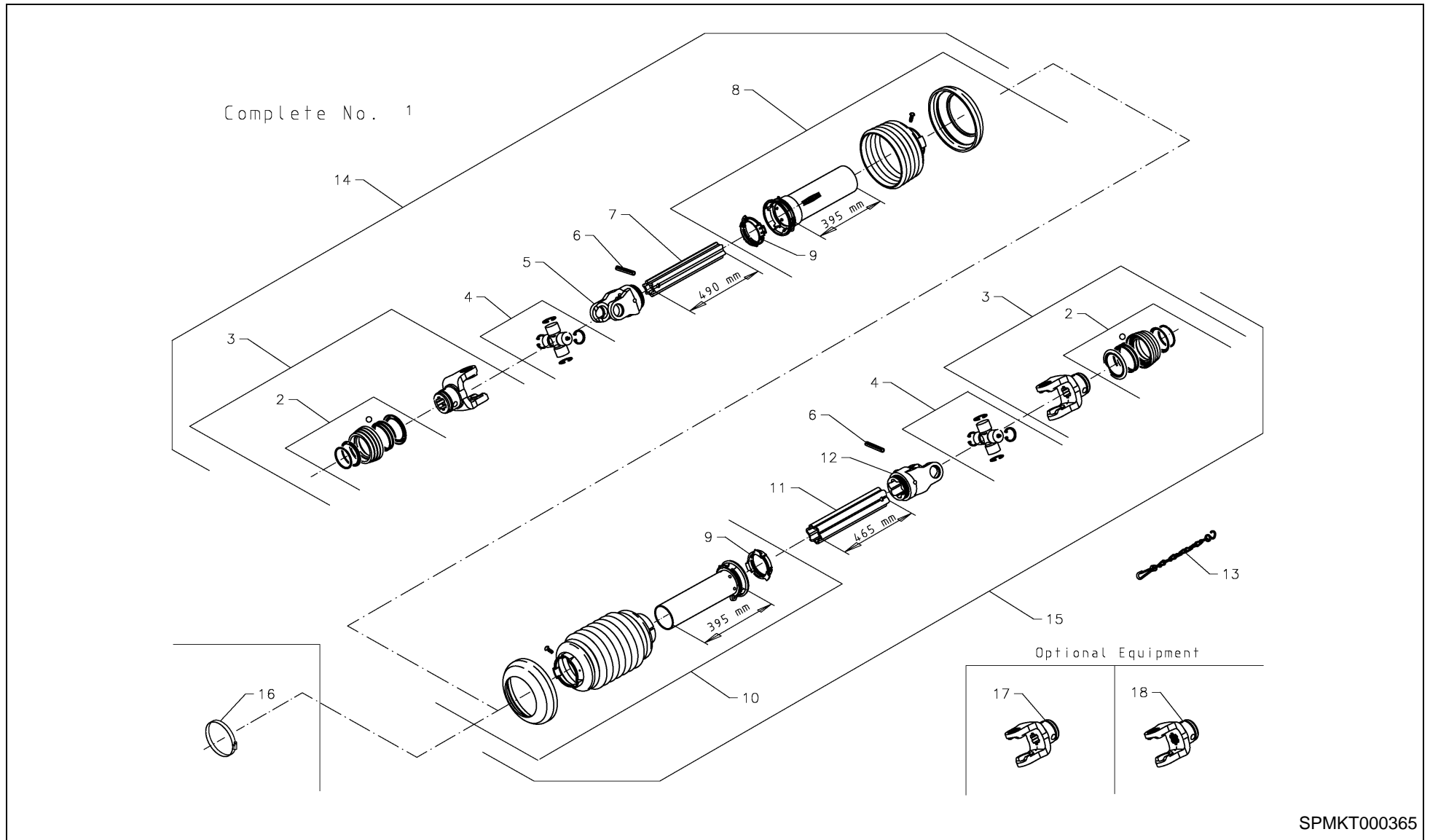
SPMKT000455



EXTRA 835CT / Rear end & deflector plate

PosNo.	Part No.	Qty.	Description	Remark
1	KT9044900094	1	UPPER PLATE 3,5 / 3,6 M	
2	KT9045010094	1	UPPER PLATE 3,5 / 3,6M	
3	KT9045200094	1	PLATE 3,5 / 3,6 M	
4	KT9034100094	1	PROFILE, RH	
5	KT9034000094	1	PROFILE, LH	
6	KT9033800094	1	SIDE PLATE, LH	
7	KT9033900094	1	SIDE PLATE, RH	
8	KT9033710094	1	DEFLECTOR PLATE, RH	
9	KT9033610094	1	DEFLECTOR PLATE, LH	
10	KT9118400061	1	BRACKET LH	
11	KT9118300061	1	BRACKET RH	
12	KT9118600094	1	EXTENSION FOR DEFLECTOR PLATE LH	
13	KT9118700094	1	EXTENSION FOR DEFLECTOR PLATE RH	
14	KT9044400094	2	BRACKET	
15	KG00644961		CARRIAGE BOLT M12X35 8.8	
16	KT9119500094	1	REINFORCEMENT PLATE RH	
17	KT9119300094	1	REINFORCEMENT PLATE LH	
18	KG01094161	4	LIFTING EYE NUT M12 C15	
19	KT3917400061	2	WASHER	
20	KT6975420094	1	BRACKET RH	
21	KT6977200094	2	PROFIL	
22	KT5627100061	2	WASHER	
23	KT6975520094	1	BRACKET LH	

EXTRA 835CT / PTO shaft



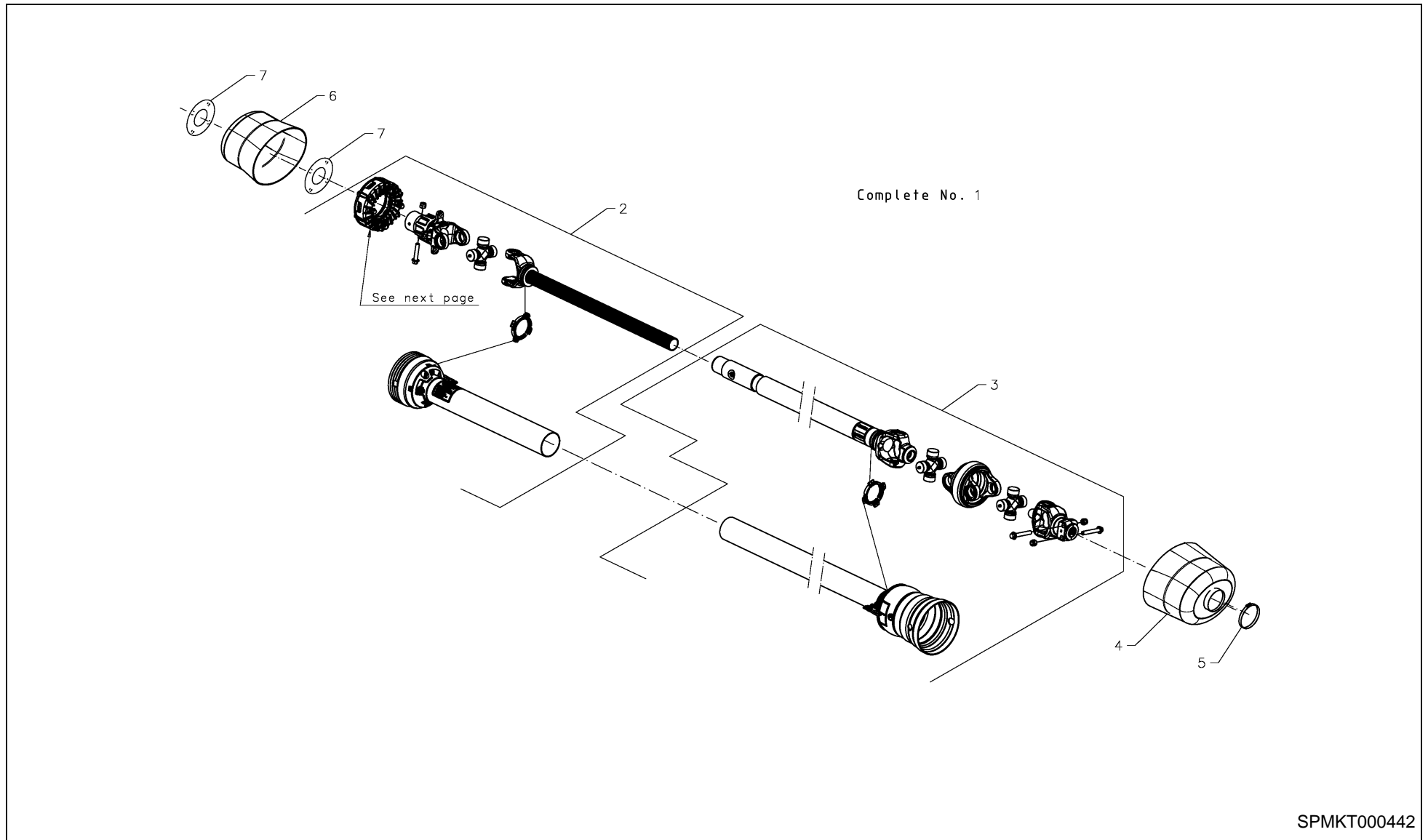
SPMKT000365



EXTRA 835CT / PTO shaft

PosNo.	Part No.	Qty.	Description	Remark
1	KT99244475	1	PTO SHAFT, COMPLETE	
2		4	NO PART NUMBER AVAILABLE	Walterscheid No. 135048
3		4	NO PART NUMBER AVAILABLE	Walterscheid No. 133836
4	KT99244480	4	CROSS CPL.	
5		1	NO PART NUMBER AVAILABLE	Walterscheid No. 356905
6		4	NO PART NUMBER AVAILABLE	Walterscheid No. 020617
7		1	NO PART NUMBER AVAILABLE	Walterscheid No. 134940
8	KT99244472	1	OUTER PROTECTION TUBE, COMPLETE	
9		4	NO PART NUMBER AVAILABLE	Walterscheid No. 087276
10	KT99244473	1	INNER PROTECTION TUBE, COMPLETE	
11		1	NO PART NUMBER AVAILABLE	Walterscheid No. 017660
12		1	NO PART NUMBER AVAILABLE	Walterscheid No. 356906
13		1	NO PART NUMBER AVAILABLE	Walterscheid No. 044321
14	KT99244476	1	PTO SHAFT, INNER HALF, COMPLETE	
15	KT99244477	1	PTO SHAFT, OUTER HALF, COMPLETE	
16	KT99352040	1	HOSE BAND Ø87/Ø112 / 12	
17	ACCESSOIRE	1	PLEASE CONTACT YOUR DEALER	
18	ACCESSOIRE	1	PLEASE CONTACT YOUR DEALER	

EXTRA 835CT / PTO shaft



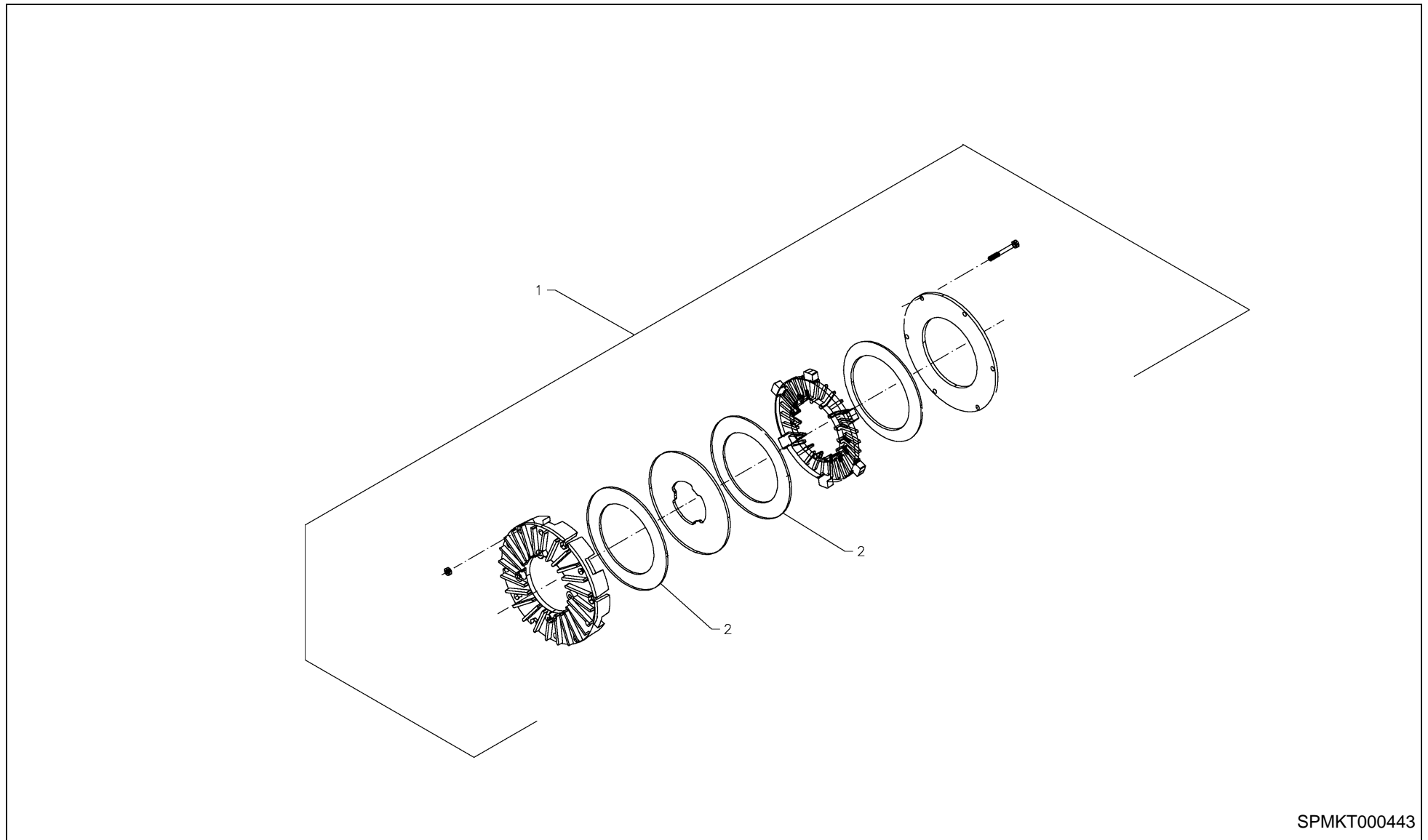
SPMKT000442



EXTRA 835CT / PTO shaft

PosNo.	Part No.	Qty.	Description	Remark
1	KT99247040	1	PTO SHAFT 260-23950	
2	KT99247041	1	HALF PTO SHAFT INCL. OUTER PROTECTION TU	
3	KT99247042	1	HALF PTO SHAFT INCL. INNER PROTECTION TU	
4	KT99244565	1	GUARD, COMPLETE	
5	KT99352040	1	HOSE BAND Ø87/Ø112 / 12	
6	KT99244506	1	GUARD	
7	KT9096700061	1	PLATE	

EXTRA 835CT / Friction clutch



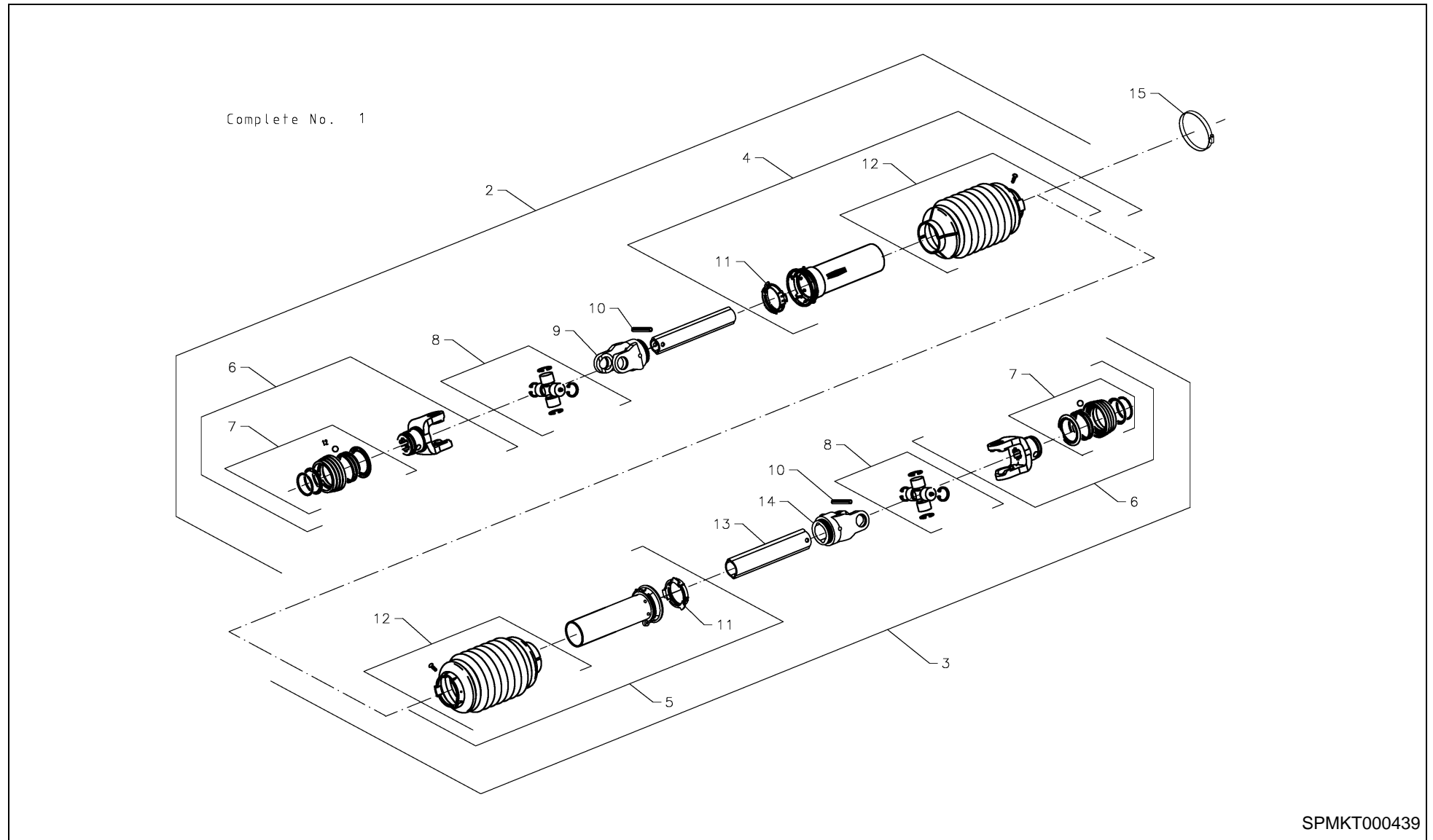
SPMKT000443



EXTRA 835CT / Friction clutch

PosNo.	Part No.	Qty.	Description	Remark
1	KT99247043	1	FRICTION CLUTCH, COMPLETE	
2	KT99247044	2	FRICTION DISC	

EXTRA 835CT / PTO shaft



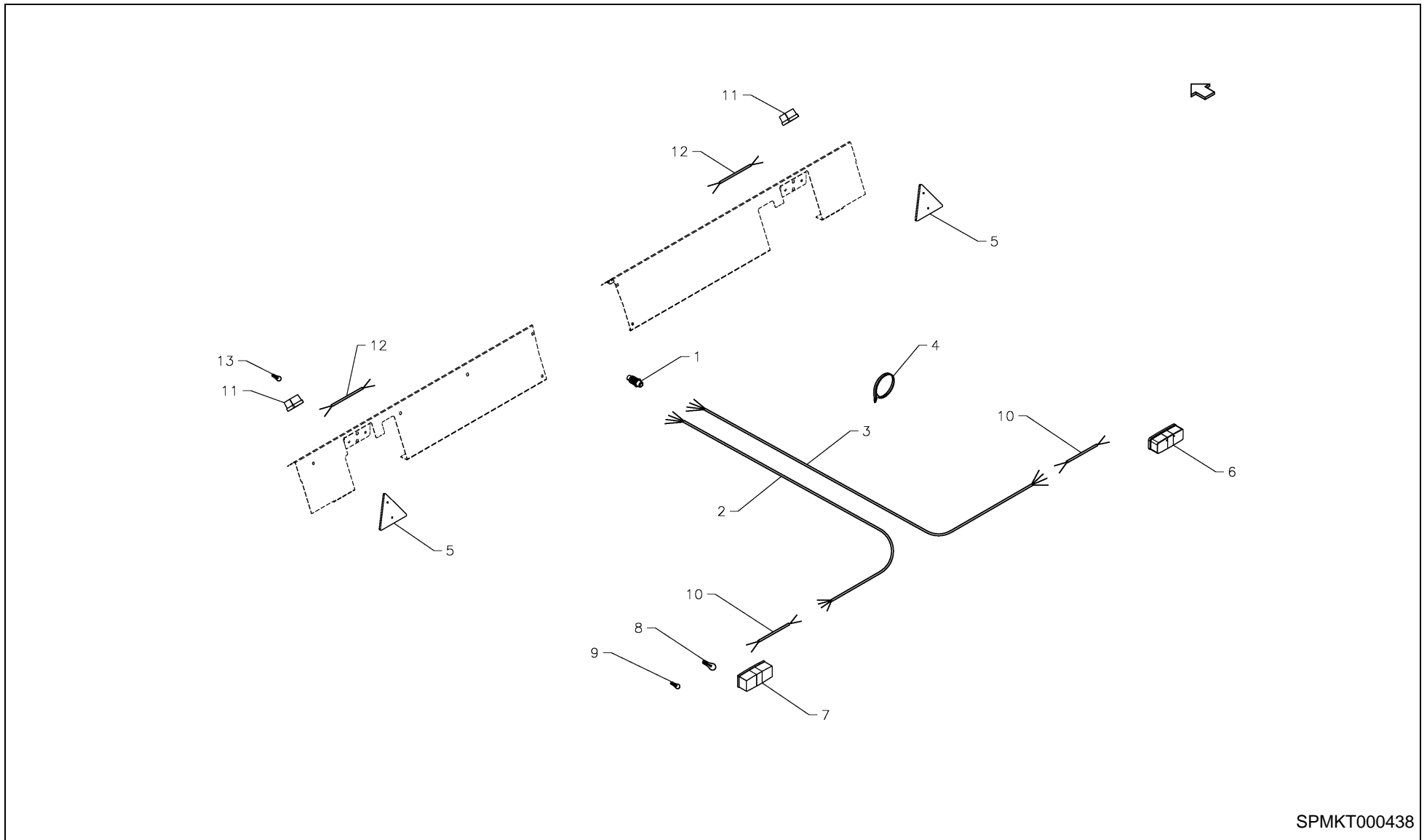
SPMKT000439



EXTRA 835CT / PTO shaft

PosNo.	Part No.	Qty.	Description	Remark
1	KT99244540	1	PTO SHAFT C-MACHINE	
2	KT99244541	1	INNER PTO WITH PROTECTION	
3	KT99244542	1	OUTER PTO WITH PROTECTION	
4	KT99244543	1	OUTER PROTECTION TUBE	
5	KT99244544	1	INNER PROTECTION TUBE	
6		2	NO PART NUMBER AVAILABLE	Walterscheid No. 135463
7		2	NO PART NUMBER AVAILABLE	Walterscheid No. 135048
8	KT99244480	2	CROSS CPL.	
9		1	NO PART NUMBER AVAILABLE	Walterscheid No. 019518
10		2	NO PART NUMBER AVAILABLE	Walterscheid No. 020617
11		2	NO PART NUMBER AVAILABLE	Walterscheid No. 087276
12		2	NO PART NUMBER AVAILABLE	Walterscheid No. 119418
13		1	NO PART NUMBER AVAILABLE	Walterscheid No. 046624
14		1	NO PART NUMBER AVAILABLE	Walterscheid No. 019519
15	KT99352040	1	HOSE BAND Ø87/Ø112 / 12	

EXTRA 835CT / LIGHTING KIT



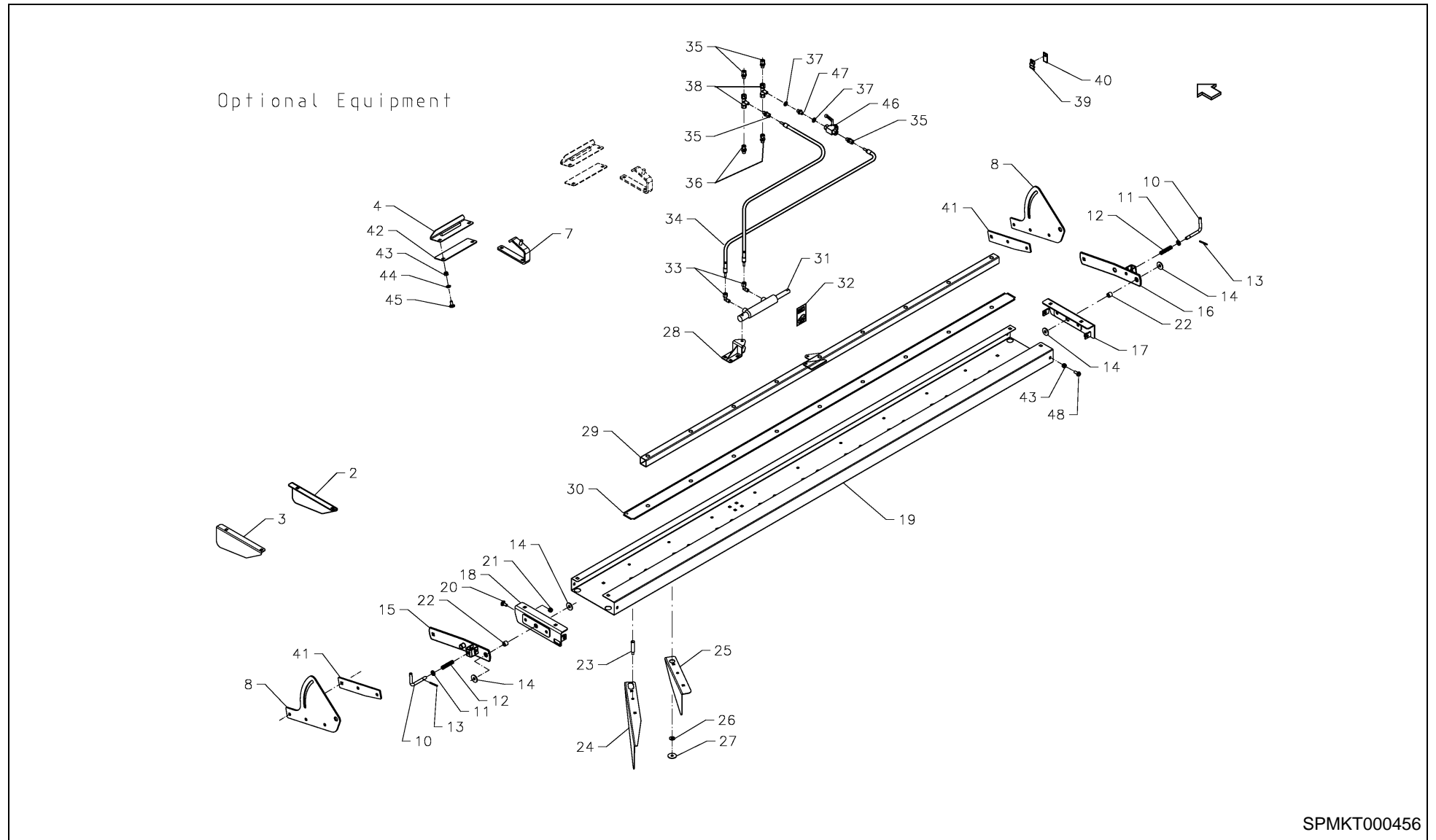
SPMKT000438



EXTRA 835CT / LIGHTING KIT

PosNo.	Part No.	Qty.	Description	Remark
1	KT99478196	1	7 PIN PLUG	
2	KT90581000	1	CABLE L= 9000MM	
3	KT90579000	1	CABLE L= 9600 MM	
4	KT99478389	8	CABLE TIE	
5	KT99458332	2	REFLEX	
6	KT99474335	1	REAR LIGHT	
7	KT99474336	1	REAR LIGHT	
8	KT99477138		BULB 12V 21W	
9	KT99477137		BULB 12V 10W	
10	KT90582000	2	CABLE L = 200 MM.	
11	KT99474330	2	POSITION LANTERN	
12	KT90583000	2	CABLE L= 200 MM.	
13	KT99477136		BULB 12V 5W	

EXTRA 835CT / Optional equipment



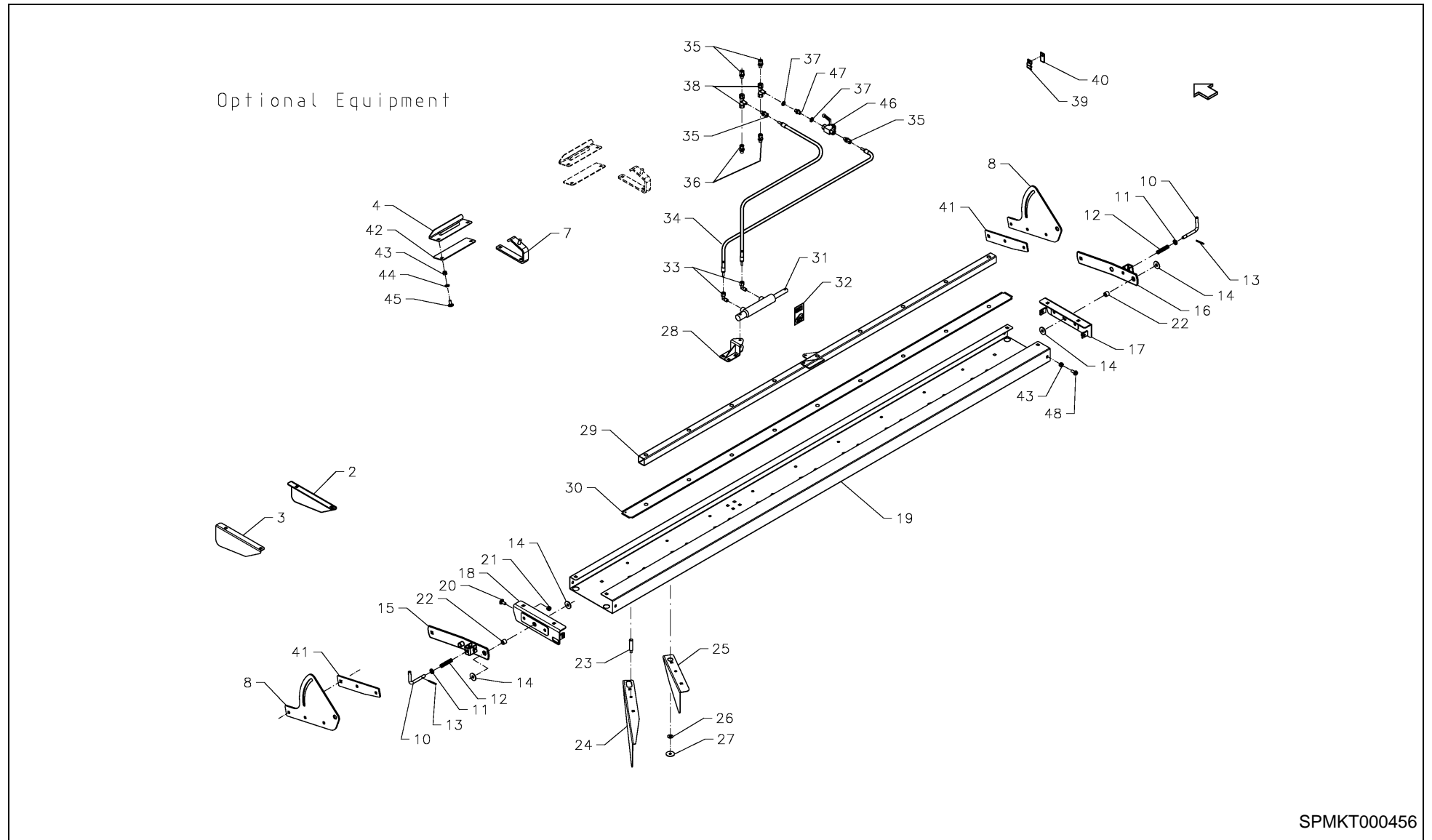
SPMKT000456



EXTRA 835CT / Optional equipment

PosNo.	Part No.	Qty.	Description	Remark
2	KT9035100094	1	GUIDE PLATE RH	
3	KT9035000094	1	GUIDE PLATE LH	
4	KT9062800061	2	BRACKET	
7	KT9062710061	2	BRACKET FOR DEFLECTOR PLATE	
8	KT7048820094	4	PLATE	
10	KT7048100061	4	HANDLE	
11	KG01267561		WASHER M12	
12	KT1769300061	4	SPRING	
13	KG01188400		TENSION PIN 5X50	
14	KT38170000	16	WASHER (DISC)	
15	KT7048400094	1	BRACKET, LH	
16	KT7048500094	1	BRACKET, RH	
17	KT7048310094	1	BRACKET, RH	
18	KT7048210094	1	BRACKET, LH	
19	KT9063400094	1	PLATE 3,6M CT	
20	KG00641461	4	CARRIAGE BOLT M10X25 8.8	
21	KG01064161	4	LOCK NUT M10 8	
22	KT7049000061	4	BUSHING	
23	KT7047300061	9	PIN	
24	KT7047400094	2	SPREADING VANE	
25	KT7047500094	7	SPREADING VANE	
26	KT7047800061	9	WASHER	
27	KT7047700061	9	WASHER	
28	KT7047900094	1	BRACKET	
29	KT9063500094	1	TUBE 3,5M / 3,6M	
30	KT9063600094	1	PLATE 3,5M / 3,6M	
31	KT9078400094	1	HYDRAULIC CYLINDER	
32	KT99413160	1	GASKET KIT	
33	KT99403220	2	ELBOW CONNECTION Ø8 - 1/4"	
34	KT70491000	2	HYDRAULIC HOSE L=5000	
35	KT99402112	12	STRAIGHT SCREWED CONNECTOR D8L-T76	
36	KT99402911	2	CYLINDRICAL SCREWED CONNECTOR Ø8- 1/4"	
37	KT99428514	4	SEALING WASHER PP458	
38	KT99404323	2	T-NIPPEL	
39	KT6324700061	3	HOLDER	
40	KT6324800061	1	PLATE	
41	KT9063800061	4	PLATE	
42	KT9119400061	2	PLATE	
43	KG01064161		LOCK NUT M10 8	
44	KG01267461		WASHER M10	

EXTRA 835CT / Optional equipment



SPMKT000456



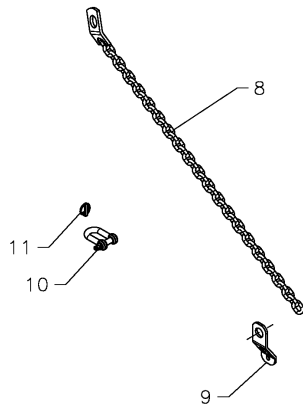
EXTRA 835CT / Optional equipment

PosNo.	Part No.	Qty.	Description	Remark
45	KG00641461		CARRIAGE BOLT M10X25 8.8	
46	KT99407085	1	BALL VALVE 1/4"	
47	KT99402302	1	ADAPTOR 1/4" X 1/4"	
48	KG00981961	4	FLANGED BOLT M10X25 TENSILOC	

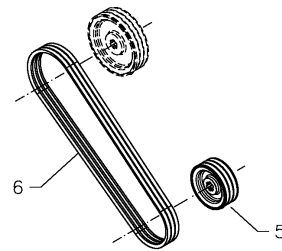
EXTRA 835CT / Optional equipment



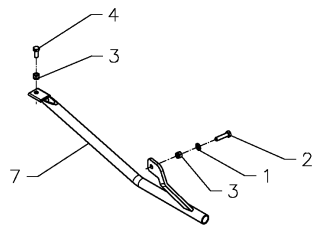
Optional Equipment



Optional Equipment (1015 rpm)



Optional Equipment



SPMKT000517



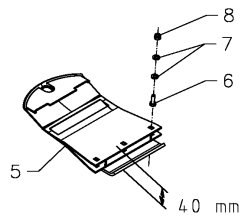
EXTRA 835CT / Optional equipment

PosNo.	Part No.	Qty.	Description	Remark
1	KG01267561	1	WASHER M12	
2	KG00476961	1	HEX. SCREW M12X50 8.8	
3	KG01064261	2	LOCK NUT M12 8	
4	KG00476561	1	HEX. SCREW M12X30 8.8	
5	KT7028800001	1	V-BELT PULLEY 3 SPB Ø 161MM	
6	KT99202438	1	SET OF V-BELTS LW 1810 (SET = 3 PCS.)	
7	KT9117800086	1	STRAW DIVIDER	
8	KT6755820061	1	CHAIN	
9	KT9089800061	1	BRACKET	
10	KT99452075	1	SHACKLE 3/4	
11	KT42176000	1	LOCK SPLIT	

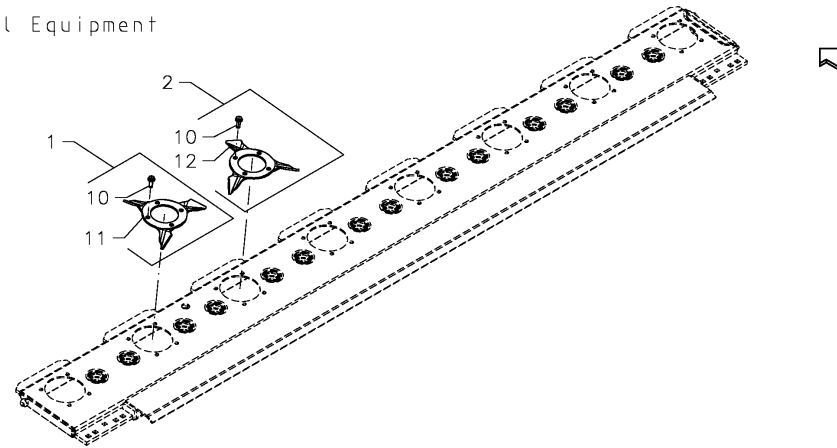
EXTRA 835CT / Optional equipment



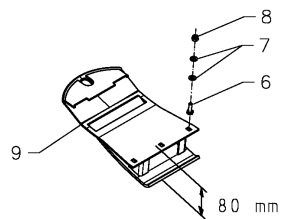
Optional Equipment



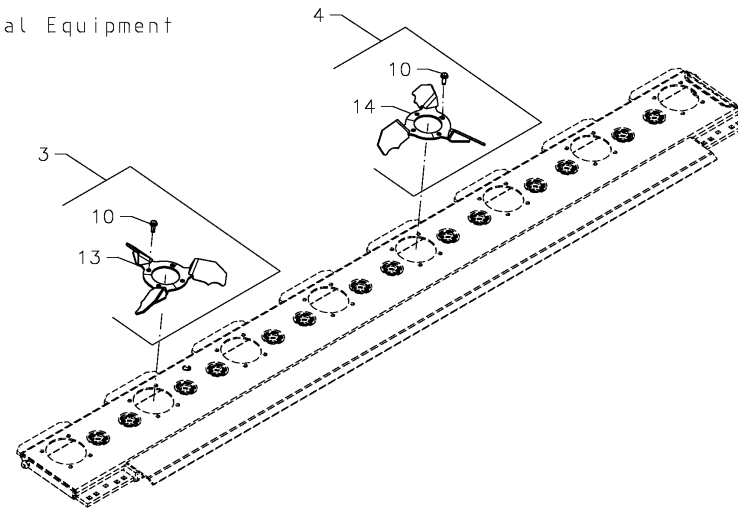
Optional Equipment



Optional Equipment



Optional Equipment



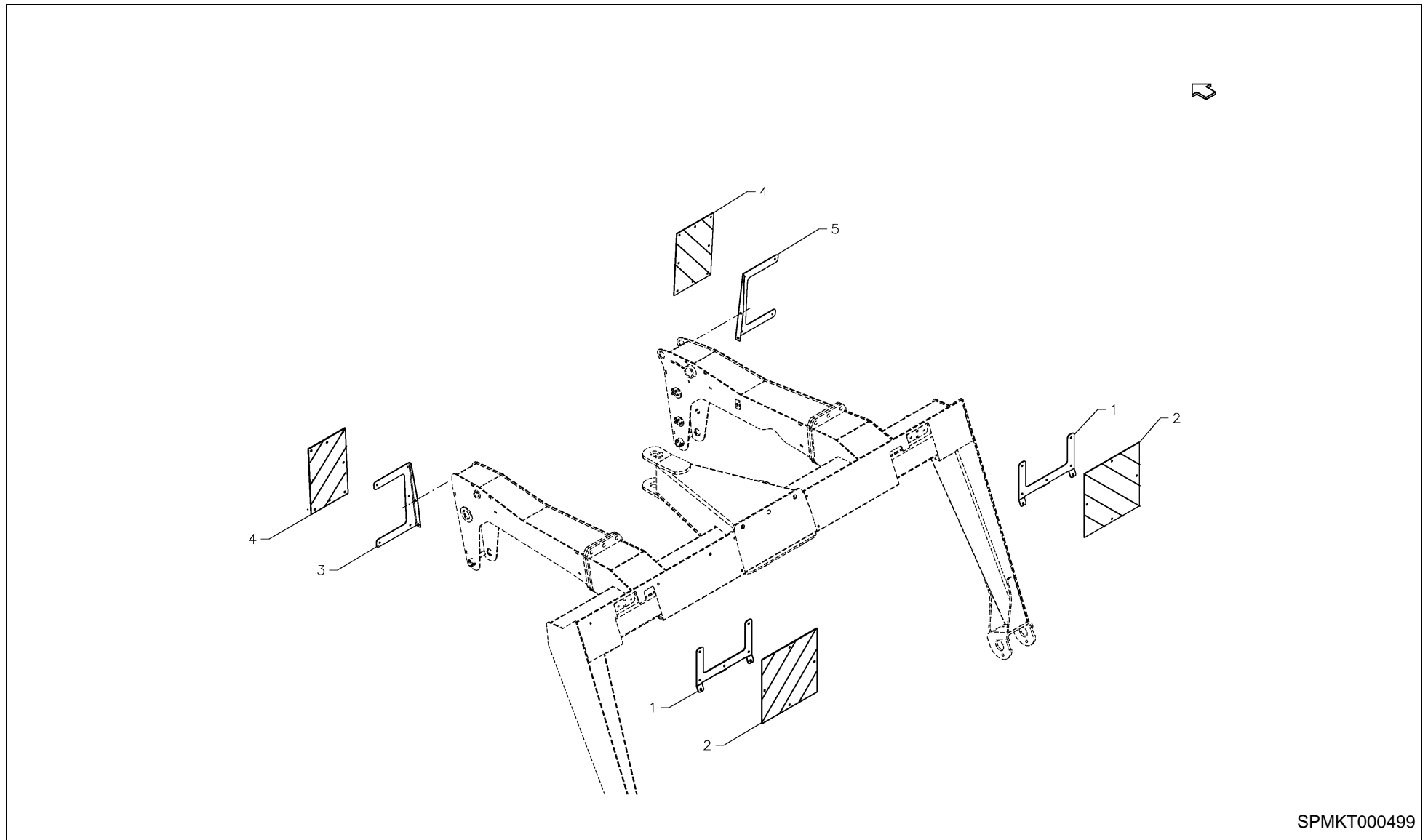
SPMKT000417



EXTRA 835CT / Optional equipment

PosNo.	Part No.	Qty.	Description	Remark
1	KT55277000	4	THROWING WING RH	
2	KT55278000	4	THROWING WING LH	
3	KT55167000	4	THROWING WING SORGUM RH COMPL.	
4	KT55166000	4	THROWING WING SORGUM LH COMPL.	
5	KT5524000086	1	HIGH STONE GUARD 40 MM	
6	KG00474361	4	HEX. SCREW M10X30 8.8	
7	KG01267461	8	WASHER M10	
8	KG01064161	4	LOCK NUT M10 8	
9	KT5515300086	1	HIGH STONE GUARD 80 MM	
10	KT99308828		STEEL BOLT M10X25 10.9	
11	KT5524100086	4	THROWING WING RH	
12	KT5524200086	4	THROWING WING LH	
13	KT5516500086	4	THROWING WING SORGUM RH	
14	KT5516400086	4	THROWING WING SORGUM LH	

EXTRA 835CT / Optional equipment



SPMKT000499



EXTRA 835CT / Optional equipment

PosNo.	Part No.	Qty.	Description	Remark
1	KT9116000061	2	CONSOLE	
2	KT99458380	2	RED/WHITE L/R WARNING FOIL 423X423	
3	KT9115500061	1	CONSOLE	
4	KT99458381	2	RED/WHITE WARNI 423X282 VERT=RH/HORIZ=LH	
5	KT9115800061	1	CONSOLE RH	

EXTRA 835CT / Part No Index



Part No.	Page	Pos No	Part No.	Page	Pos No	Part No.	Page	Pos No	Part No.	Page	Pos No
	20	11	KG00641461	25	20	KG01267561	8	18	KT5512500086	15	19
	20	12	KG00641461	25	45	KG01267561	11	6	KT5512600001	14	5
	20	13	KG00644961	19	15	KG01267561	17	9	KT5512710094	15	5
	20	2	KG00981961	25	48	KG01267561	25	11	KT5513120086	14	28
	20	3	KG01052661	2	1	KG01267561	26	1	KT5513600094	15	16
	20	5	KG01052661	3	1	KG01267761	1	16	KT5513700086	15	10
	20	6	KG01064161	3	35	KG01267761	1	22	KT5513800086	15	15
	20	7	KG01064161	8	19	KG01309000	4	30	KT5515300086	27	9
	20	9	KG01064161	25	21	KG01378900	8	11	KT5515400001	14	26
	23	10	KG01064161	25	43	KG01840800	14	18	KT5516200094	15	4
	23	11	KG01064161	27	8	KG01840900	14	36	KT5516400086	27	14
	23	12	KG01064261	8	5	KT10101000	5	48	KT5516500086	27	13
	23	13	KG01064261	26	3	KT10105000	14	34	KT55166000	27	4
	23	14	KG01064461	1	15	KT1769300061	11	11	KT55167000	27	3
	23	6	KG01064461	1	21	KT1769300061	25	12	KT5521200086	14	1
	23	7	KG01064661	8	15	KT26422000	1	11	KT5524000086	27	5
	23	9	KG01072461	15	12	KT2844700061	4	15	KT5524100086	27	11
ACCESSOIRE	20	17	KG01094161	19	18	KT3130700061	3	49	KT5524200086	27	12
ACCESSOIRE	20	18	KG01108300	8	10	KT3626300061	4	14	KT55243000	16	1
KD0300863	6	32	KG01109300	7	12	KT38170000	25	14	KT55244000	16	3
KG00355761	8	22	KG01109800	3	26	KT38218000	11	12	KT55245000	16	2
KG00362561	1	23	KG01110400	4	4	KT3877520086	4	16	KT55246000	15	21
KG00363161	1	17	KG01128700	2	8	KT3877610061	4	18	KT5524700086	15	13
KG00473861	3	45	KG01129300	3	16	KT3877810086	4	12	KT55277000	27	1
KG00473961	14	27	KG01130300	3	24	KT3917400061	19	19	KT55278000	27	2
KG00474361	3	48	KG01130900	14	17	KT42176000	26	11	KT5564210001	14	11
KG00474361	27	6	KG01188400	25	13	KT45429000	15	27	KT5564400001	14	7
KG00476261	14	14	KG01192000	2	11	KT45431000	15	28	KT5564610001	14	21
KG00476561	8	20	KG01251561	11	8	KT4837700061	8	7	KT5564900061	14	2
KG00476561	10	5	KG01267461	3	50	KT49143000	7	5	KT5565000001	14	4
KG00476561	26	4	KG01267461	15	20	KT5512200001	14	22	KT55651000	14	3
KG00476961	26	2	KG01267461	25	44	KT5512300001	14	6	KT55670000	10	4
KG00595400	15	25	KG01267461	27	7	KT5512400001	14	15	KT5567000001	14	13

EXTRA 835CT / Part No Index



Part No.	Page	Pos No	Part No.	Page	Pos No	Part No.	Page	Pos No	Part No.	Page	Pos No
KT55705300	16	5	KT69540000	8	27	KT9033800094	19	6	KT9043100061	3	2
KT55706100	16	4	KT69708000	15	17	KT9033900094	19	7	KT9043220061	3	31
KT55710300	16	6	KT6975420094	19	20	KT9034000094	19	5	KT9044400094	19	14
KT5572910061	14	20	KT6975520094	19	23	KT9034100094	19	4	KT9044900094	19	1
KT5574900001	14	25	KT6977200094	19	21	KT9034400094	8	3	KT9045010094	19	2
KT5576600001	14	33	KT7028800001	26	5	KT9034510061	8	14	KT9045200094	19	3
KT5576700001	14	35	KT7047300061	25	23	KT9034700086	11	5	KT9046110086	11	3
KT56149000	15	26	KT7047400094	25	24	KT9034800061	11	9	KT9046300061	11	7
KT5616500061	3	43	KT7047500094	25	25	KT9034910086	8	9	KT9046400061	11	4
KT56227000	7	11	KT7047700061	25	27	KT9035000094	25	3	KT9046800061	2	13
KT5627100061	15	18	KT7047800061	25	26	KT9035100094	25	2	KT9046800061	3	20
KT5627100061	19	22	KT7047900094	25	28	KT9035200061	8	24	KT9046900061	8	17
KT56783000	15	6	KT7048100061	25	10	KT9035710086	15	2	KT9047400086	8	2
KT56784000	15	7	KT7048210094	25	18	KT9039700086	18	17	KT9047610086	11	2
KT56785000	15	8	KT7048310094	25	17	KT9039900061	18	5	KT9048100061	2	5
KT5874000061	8	21	KT7048400094	25	15	KT9040200061	1	6	KT9048500061	3	12
KT5882400061	8	16	KT7048500094	25	16	KT9040500086	7	1	KT9048600061	2	7
KT6056800061	4	11	KT7048820094	25	8	KT9041120086	1	2	KT9049500094	8	1
KT6244500061	2	15	KT7049000061	25	22	KT9041210086	1	3	KT9050210061	3	22
KT6244500061	3	13	KT70491000	25	34	KT9041710086	3	19	KT9050300061	2	16
KT6245600001	8	12	KT90186000	1	13	KT9041810086	2	6	KT9050300061	3	34
KT6324700061	25	39	KT90276000	12	2	KT9041920061	3	39	KT9050400061	2	12
KT6324800061	25	40	KT90278000	12	3	KT9042000086	3	41	KT9050520086	3	18
KT6755820061	26	8	KT9030120086	12	1	KT9042200061	3	6	KT9050620086	2	20
KT67602000	6	24	KT9030800086	15	1	KT9042300061	3	7	KT9051210061	7	10
KT6823110061	4	2	KT9031020061	15	3	KT9042410061	3	5	KT9051310061	2	18
KT6827100061	11	10	KT9032400086	4	1	KT9042500061	3	23	KT9051310061	3	36
KT6828300001	10	3	KT9032500086	4	13	KT9042600061	3	25	KT9051500061	3	40
KT6828400001	10	2	KT9032800086	4	10	KT9042700061	3	42	KT9052900086	1	7
KT68312000	2	17	KT9032900086	4	9	KT9042800061	3	10	KT9053510061	8	13
KT68312000	3	32	KT9033000001	4	8	KT9042900061	3	8	KT9053600061	8	8
KT6865820094	15	11	KT9033610094	19	9	KT9043010061	3	14	KT9054600086	1	5
KT6953600061	8	29	KT9033710094	19	8	KT9043100061	2	2	KT9055300086	1	4

EXTRA 835CT / Part No Index



Part No.	Page	Pos No	Part No.	Page	Pos No	Part No.	Page	Pos No	Part No.	Page	Pos No
KT90579000	24	3	KT9071410061	17	7	KT9093700086	1	12	KT99158087	3	3
KT90581000	24	2	KT9071510061	18	11	KT9093800086	1	20	KT99158088	3	21
KT90582000	24	10	KT9071600061	18	12	KT9093900086	1	19	KT99158090	4	3
KT90583000	24	12	KT9071800061	18	26	KT9096700061	21	7	KT99158115	3	28
KT9060120086	18	13	KT9071900061	18	10	KT9115500061	28	3	KT99160030	3	15
KT9060220086	18	14	KT9072010061	17	8	KT9115800061	28	5	KT99160040	3	30
KT9060300061	18	16	KT90721000	18	22	KT9116000061	28	1	KT99160045	2	9
KT9060400061	18	15	KT9072400064	3	37	KT9117600061	4	31	KT99202435	10	1
KT9060500061	18	19	KT9072500064	2	19	KT9117700061	4	28	KT99202438	26	6
KT9060900061	18	18	KT9074600086	4	25	KT9117800086	26	7	KT99244472	20	8
KT90619100	18	20	KT9074700086	4	22	KT9118100086	11	1	KT99244473	20	10
KT9062710061	25	7	KT9074810086	4	19	KT9118300061	19	11	KT99244475	20	1
KT9062800061	25	4	KT9074900061	4	20	KT9118400061	19	10	KT99244476	20	14
KT9063000061	8	6	KT9075000061	4	23	KT9118600094	19	12	KT99244477	20	15
KT9063400094	25	19	KT9075100061	4	24	KT9118700094	19	13	KT99244480	20	4
KT9063500094	25	29	KT9078400094	25	31	KT9118900086	3	29	KT99244480	23	8
KT9063600094	25	30	KT9078900061	8	23	KT9119300094	19	17	KT99244485	4	26
KT9063800061	25	41	KT9079000061	8	4	KT9119400061	25	42	KT99244506	21	6
KT9064520086	17	4	KT9081010094	8	28	KT9119500094	19	16	KT99244511	15	22
KT90646100	17	3	KT90817000	17	2	KT91257000	6	30	KT99244540	23	1
KT9064720094	17	1	KT90818000	18	2	KT9125900061	3	46	KT99244541	23	2
KT90652000	6	1	KT90819000	18	1	KT9126000061	3	44	KT99244542	23	3
KT9065800061	6	21	KT90820000	18	3	KT91261000	6	2	KT99244543	23	4
KT90659000	7	4	KT9083600061	18	7	KT9127600061	8	30	KT99244544	23	5
KT90660000	7	6	KT9085300097	8	26	KT99125012	4	6	KT99244565	21	4
KT90669000	6	10	KT9085700061	18	6	KT99158065	2	14	KT99247040	21	1
KT90670000	6	6	KT90859000	18	27	KT99158065	3	11	KT99247041	21	2
KT90671000	6	5	KT9087600061	8	25	KT99158066	2	4	KT99247042	21	3
KT90680000	6	16	KT9088100061	4	7	KT99158066	3	4	KT99247043	22	1
KT90681000	6	8	KT9089300061	18	4	KT99158066	4	17	KT99247044	22	2
KT90682000	6	3	KT9089800061	26	9	KT99158077	3	9	KT99255001	5	49
KT9071210086	18	9	KT9089900061	4	27	KT99158084	15	24	KT99255002	13	1
KT9071300086	18	8	KT90906100	6	20	KT99158087	2	3	KT99255006	9	1

EXTRA 835CT / Part No Index



Part No.	Page	Pos No	Part No.	Page	Pos No	Part No.	Page	Pos No	Part No.	Page	Pos No
KT99255100	5	1	KT99255120	9	32	KT99255140	13	814	KT99255224	9	7
KT99255100	9	6	KT99255120	13	40	KT99255141	5	827	KT99255225	9	15
KT99255101	5	2	KT99255121	5	33	KT99255141	9	815	KT99255226	9	31
KT99255102	5	3	KT99255121	13	41	KT99255142	5	828	KT99255227	9	33
KT99255103	5	4	KT99255122	5	34	KT99255142	9	813	KT99255228	9	41
KT99255104	5	5	KT99255122	9	40	KT99255143	5	829	KT99255229	5	47
KT99255105	5	6	KT99255123	5	35	KT99255143	9	812	KT99302819	14	32
KT99255105	9	5	KT99255123	9	45	KT99255144	5	830	KT99307775	6	13
KT99255106	5	7	KT99255124	5	36	KT99255144	9	810	KT99308824	15	9
KT99255107	5	11	KT99255125	5	38	KT99255145	5	831	KT99308826	15	14
KT99255107	9	10	KT99255126	5	39	KT99255146	13	2	KT99308828	27	10
KT99255107	13	21	KT99255127	5	42	KT99255148	13	5	KT99330483	3	33
KT99255108	5	12	KT99255128	5	44	KT99255152	13	9	KT99331901	4	21
KT99255108	9	11	KT99255129	5	46	KT99255153	13	10	KT99331901	18	25
KT99255108	13	22	KT99255129	9	43	KT99255155	13	20	KT99333832	3	47
KT99255109	5	13	KT99255129	13	45	KT99255156	9	13	KT99333835	4	29
KT99255109	9	12	KT99255131	5	806	KT99255157	13	26	KT99350531	3	27
KT99255110	5	14	KT99255132	5	807	KT99255158	13	27	KT99350537	4	5
KT99255111	5	15	KT99255133	5	808	KT99255160	13	30	KT99352040	20	16
KT99255112	5	16	KT99255134	5	809	KT99255161	13	37	KT99352040	21	5
KT99255112	9	14	KT99255135	5	810	KT99255163	13	75	KT99352040	23	15
KT99255112	13	25	KT99255136	5	822	KT99255165	13	800	KT99354122	14	23
KT99255113	5	17	KT99255137	5	823	KT99255166	13	802	KT99402112	6	9
KT99255114	5	18	KT99255137	9	800	KT99255167	13	803	KT99402112	25	35
KT99255115	5	19	KT99255137	13	810	KT99255168	13	820	KT99402113	6	14
KT99255115	9	17	KT99255138	5	824	KT99255169	13	822	KT99402114	6	18
KT99255115	13	36	KT99255138	9	802	KT99255170	13	823	KT99402302	25	47
KT99255116	5	20	KT99255138	13	812	KT99255171	13	824	KT99402904	6	22
KT99255116	13	35	KT99255139	5	825	KT99255172	9	814	KT99402911	25	36
KT99255117	5	21	KT99255139	9	803	KT99255176	13	8	KT99402921	6	23
KT99255118	5	29	KT99255139	13	813	KT99255221	9	2	KT99402922	6	31
KT99255119	5	30	KT99255140	5	826	KT99255222	9	3	KT99402927	6	35
KT99255120	5	32	KT99255140	9	804	KT99255223	9	4	KT99402941	6	25



EXTRA 835CT / Part No Index

Part No.	Page	Pos No	Part No.	Page	Pos No
KT99403015	6	4	KT99434056	1	8
KT99403204	6	11	KT99434601	1	1
KT99403211	6	7	KT99434602	1	18
KT99403220	7	7	KT99434603	1	14
KT99403220	25	33	KT99452075	26	10
KT99403221	7	8	KT99452096	18	24
KT99403804	7	9	KT99457134	14	9
KT99404018	6	33	KT99457135	14	10
KT99404130	6	29	KT99458109	14	31
KT99404242	6	15	KT99458238	17	5
KT99404323	25	38	KT99458244	3	38
KT99407008	7	3	KT99458332	24	5
KT99407085	25	46	KT99458380	28	2
KT99407410	6	19	KT99458381	28	4
KT99407540	6	28	KT99462633	14	29
KT99407541	6	34	KT99462718	14	30
KT99408914	6	12	KT99474330	24	11
KT99408934	6	17	KT99474335	24	6
KT99408943	6	27	KT99474336	24	7
KT99413144	7	2	KT99477136	24	13
KT99413149	3	17	KT99477137	24	9
KT99413150	2	10	KT99477138	24	8
KT99413160	25	32	KT99478196	24	1
KT99417025	15	23	KT99478389	24	4
KT99420109	14	19	VF06564448	18	21
KT99420125	14	12	VGLF225	18	23
KT99420238	14	8	VGLF226	18	28
KT99420286	14	24			
KT99421068	14	16			
KT99428514	25	37			
KT99428522	6	26			
KT99432066	1	9			
KT99432375	1	10			



EXTRA 835CT

404.890 < Mach. ID <=

Kverneland Group Kerteminde AS
Taarupstrandvej 25
DK-5300 Kerteminde
Denmark
+45 65 19 19 00
+45 65 19 19 99

© Kverneland Group

All rights reserved. No parts of this book may be reproduced, stored in a database or retrieval system, or published in any form or in any way, electronically, mechanically, optically, by print, photo print, microfilm (including micro and macro fiche), or any other means, including all video and CD systems, without prior written permission from the publisher.

Print date: 2008-03-05

