

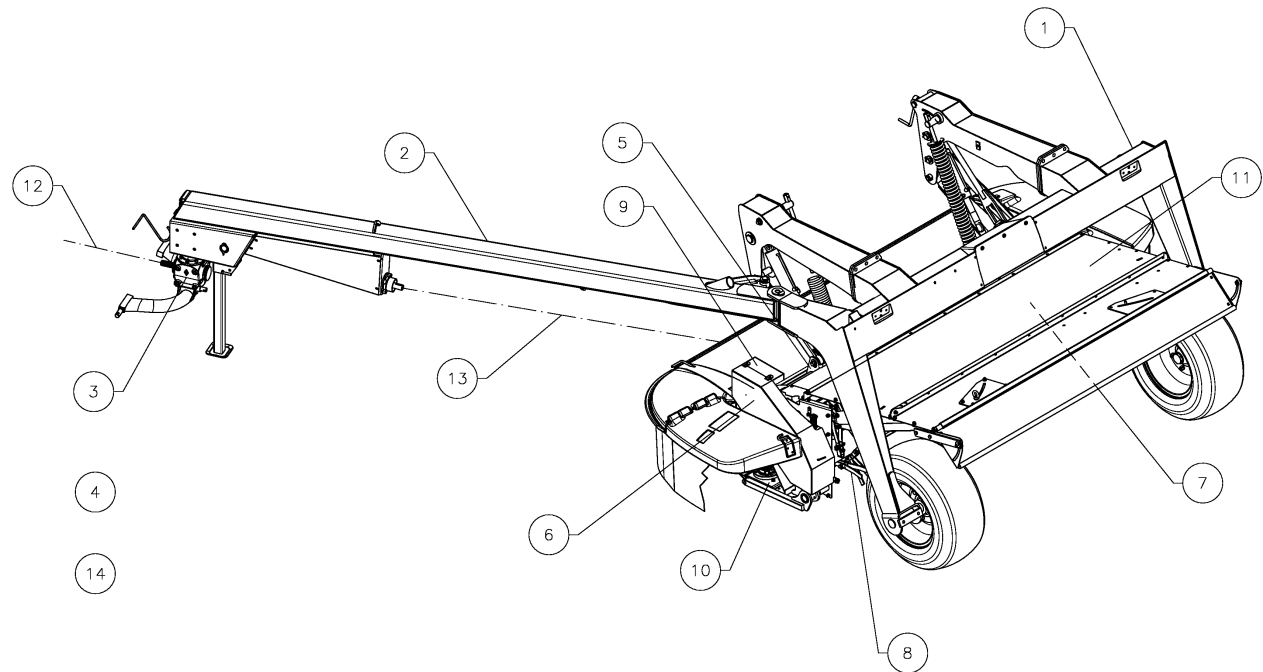
EXTRA 835T

Spare Parts Manual

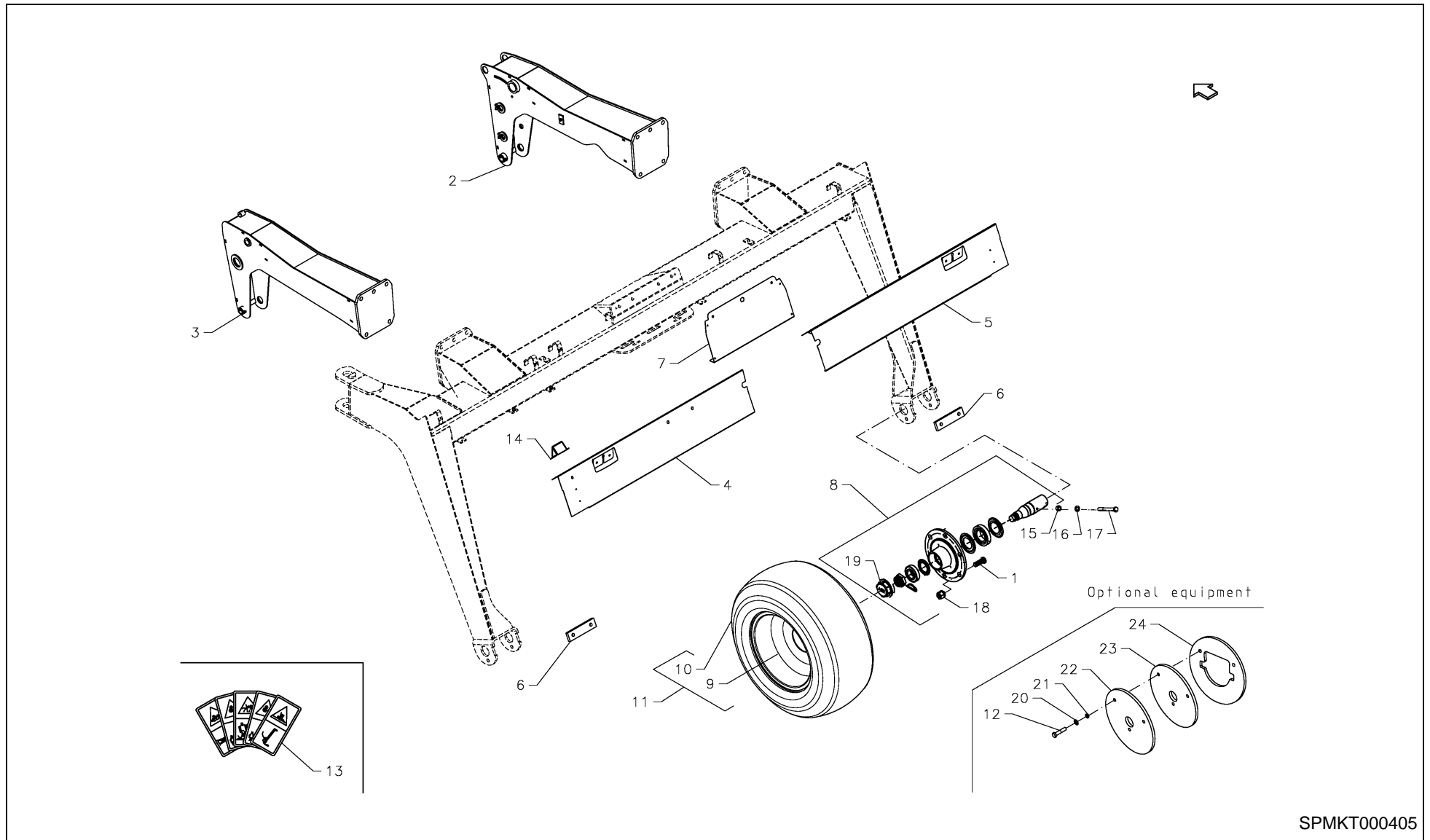
Article number:	90000271 Index 118-02
Language:	EN
Production year (from):	2008
Serial No. (from)	404.223 < Mach. ID <=

EXTRA 835T / Table of Contents

PosNo.	Assembly group	Page
1	PRIMARY FRAME, WHEEL	1
1	SPRING, HYDRAULIC CYLINDER, LH	2
1	SPRING, HYDRAULIC CYLINDER, RH	3
1	LIGHTING KIT	22
2	DRAWBAR	4
3	SWIVEL GEAR, COMPLETE	5
4	HYDRAULIC	6
4	HYDRAULIC, DRAWBAR	7
5	SECONDARY FRAME	8
6	TRANSMISSION	9
7	CONDITIONER PLATE	10
8	ROTOR	11
9	MAIN GEAR BOX, COMPLETE	12
10	CUTTERBAR	13
10	TRANSMISSION, CUTTERBAR	14
10	CUTTERBAR	15
11	REAR END & DEFLECTOR PLATE	16
11	GUARD	17
11	GUARD	18
12	PTO SHAFT	19
13	PTO SHAFT	20
13	FRICTION CLUTCH	21
14	OPTIONAL EQUIPMENT	23
14	OPTIONAL EQUIPMENT	24
14	OPTIONAL EQUIPMENT	25
14	OPTIONAL EQUIPMENT	26



EXTRA 835T / Primary frame, wheel





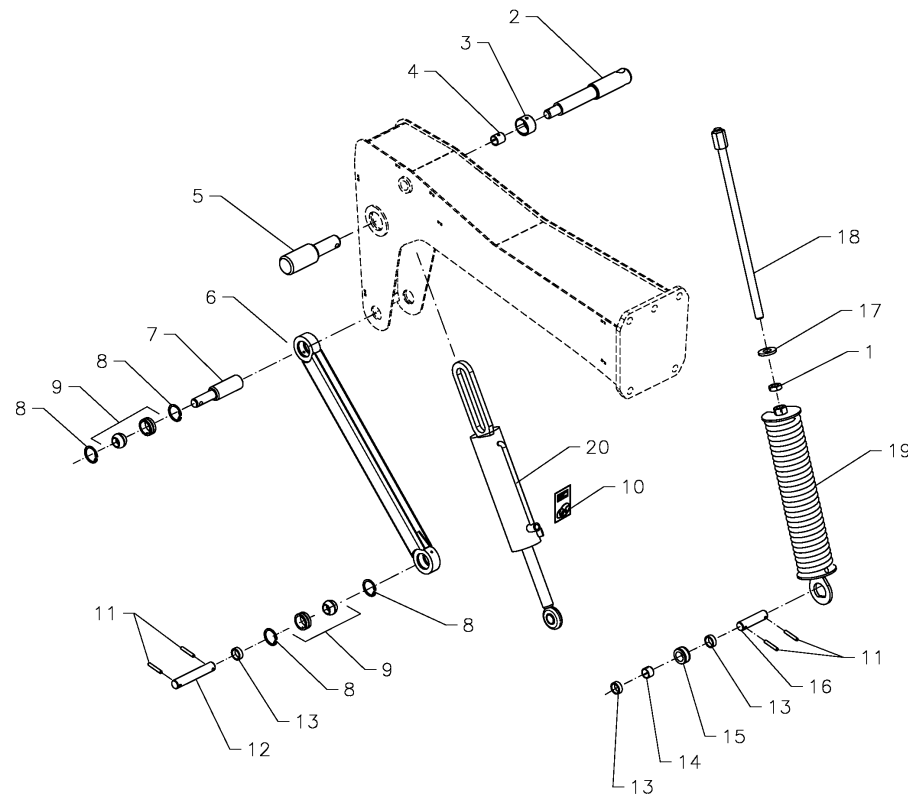
EXTRA 835T / Primary frame, wheel

PosNo.	Part No.	Qty.	Description	Remark
1	KT99434601	6	STUD	
2	KT9041120086	1	ARM RH	
3	KT9041210086	1	ARM LH	
4	KT9055200086	1	GUARD, LH	
5	KT9054600086	1	GUARD RH	
6	KT9040200061	2	BRACKET	
7	KT9052900086	1	GUARD, CENTER	
8	KT99434056	2	HUB, COMPLETE	
9	KT99432066	2	RIM 15.00-17	
10	KT99432375	2	TYRE 15.00-17	
11	KT26422000	2	WHEEL CPL.	
12	KG00362561	3	HEX. BOLT M16X80 8.8	
13	KT90186000	1	SAFETY DECAL SET	
14	KT9040100086	1	BRACKET	
15	KG01064461	4	LOCK NUT M16 8	
16	KG01267761	4	WASHER M16	
17	KG00363161	4	HEX. BOLT M16X140 8.8	
18	KT99434602	6	NUT	
19	KT99434603	2	COVER	
20	KG01267761	3	WASHER M16	
21	KG01064461	3	LOCK NUT M16 8	
22	KT9093800086	1	COUNTER BALANCE BLOCK	
23	KT9093900086	1	COUNTER BALANCE BLOCK	
24	KT9093700086	1	COUNTER BALANCE BLOCK	

EXTRA 835T / Spring, hydraulic cylinder, LH



Venstre side/ Left side



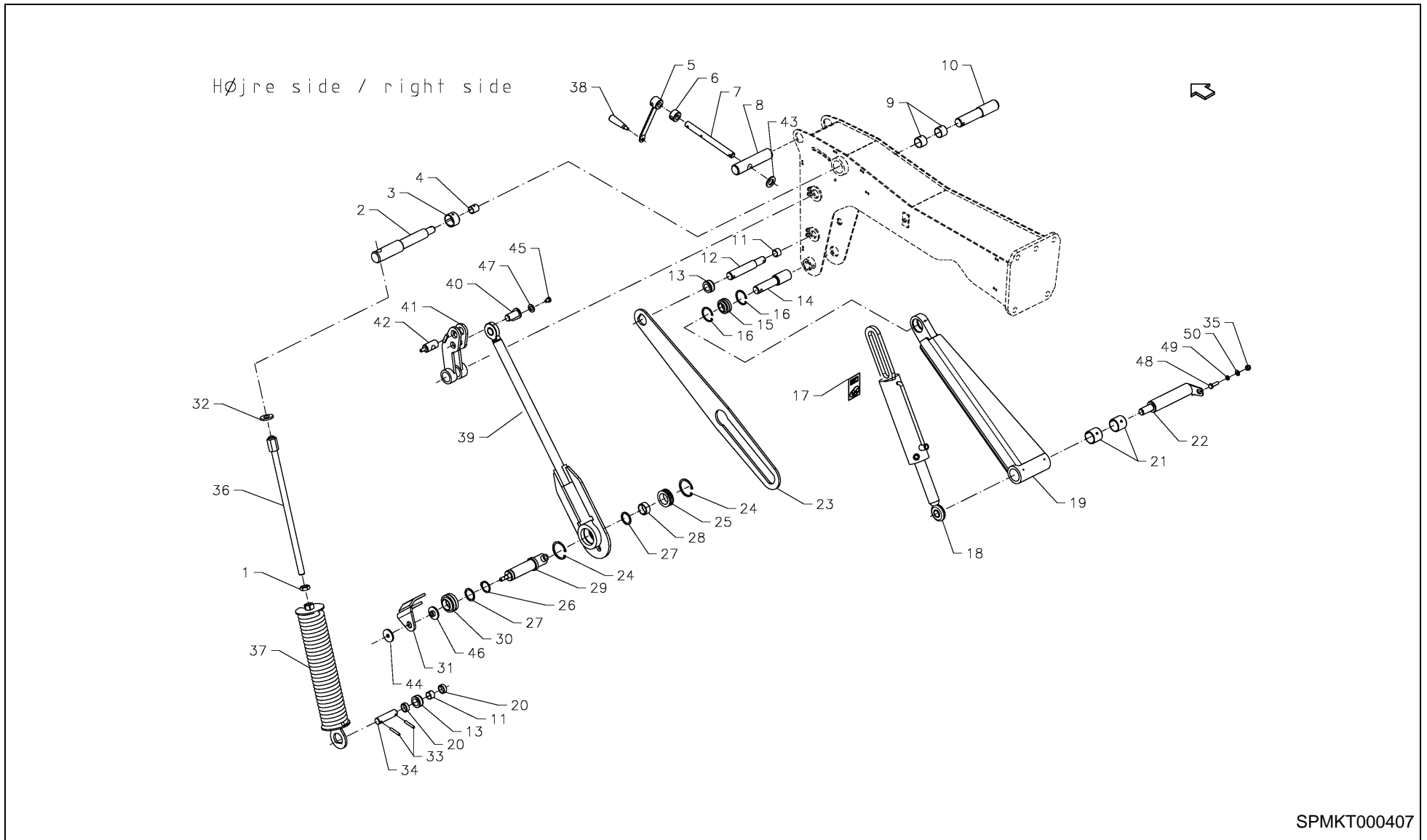
SPMKT000406



EXTRA 835T / Spring, hydraulic cylinder, LH

PosNo.	Part No.	Qty.	Description	Remark
1	KG01052661	1	HEX. NUT M22 8	
2	KT9043100061	1	SHAFT	
3	KT99158087	1	GLACIER BUSHING PM4530 DX	
4	KT99158066	1	GLACIER BUSHING PM 2530 DX	
5	KT9048100061	1	SHAFT	
6	KT9041810086	1	ARM, LH	
7	KT9048600061	1	SHAFT	
8	KG01128700	4	CIRCLIP-B 47 X 1.75	
9	KT99160045	2	BEARING Ø 25 GE25FO 2RS	
10	KT99413150	1	GASKET KIT	
11	KG01192000		TENSION PIN 8X50	
12	KT9050400061	1	COTTER BOLT	
13	KT9046800061	3	SPACER	
14	KT99158065	1	GLACIER BUSHING PM 2520 DX	
15	KT6244500061	1	BEARING	
16	KT9050300061	1	COTTER BOLT	
17	KT68312000	1	WASHER (DISC)	
18	KT9051310061	1	SPINDLE	
19	KT9072500064	1	SPRING N=32 - Ø15 MM	
20	KT9050620086	1	HYDRAULIC CYLINDER	

EXTRA 835T / Spring, hydraulic cylinder, RH



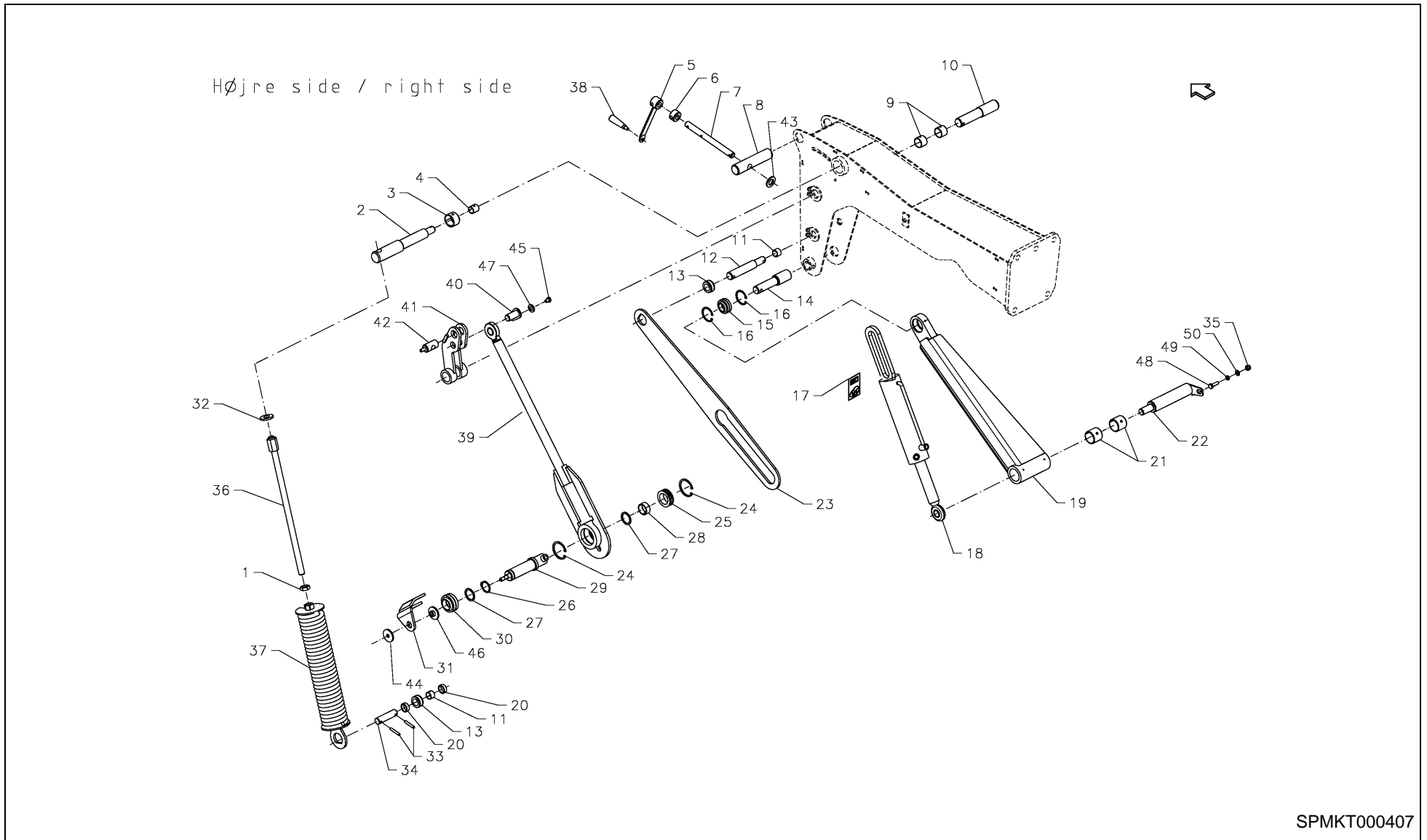
SPMKT000407



EXTRA 835T / Spring, hydraulic cylinder, RH

PosNo.	Part No.	Qty.	Description	Remark
1	KG01052661	1	HEX. NUT M22 8	
2	KT9043100061	1	SHAFT	
3	KT99158087	1	GLACIER BUSHING PM4530 DX	
4	KT99158066	1	GLACIER BUSHING PM 2530 DX	
5	KT9042410061	1	HANDLE	
6	KT9042200061	1	RING	
7	KT9042300061	1	SPINDLE	
8	KT9042900061	1	SHAFT	
9	KT99158077	2	GLACIER BUSHING PM 3530 DX	
10	KT9042800061	1	SHAFT	
11	KT99158065	2	GLACIER BUSHING PM 2520 DX	
12	KT9048500061	1	COTTER BOLT	
13	KT6244500061	2	BEARING	
14	KT9043010061	1	SHAFT	
15	KT99160030	1	RADIAL BEARING Ø30	
16	KG01129300	2	CIRCLIP-B 55 X 2	
17	KT99413149	1	GASKET KIT	
18	KT9050520086	1	HYDRAULIC CYLINDER	
19	KT9041710086	1	ARM	
20	KT9046800061	2	SPACER	
21	KT99158088	2	GLACIER BUSHING PM 4545 DX	
22	KT9050210061	1	COTTER BOLT	
23	KT9042500061	1	ARM	
24	KG01130300	2	CIRCLIP-B 68 X 2.5	
25	KT9042600061	1	BEARING	
26	KG01109800		CIRCLIP-A 40 X 1.75	
27	KT99350531		SUPPORTING DISC	
28	KT99158115	1	GLACIER BUSHING PM 4020 DX	
29	KT9118900086	1	HYDRAULIC CYLINDER	
30	KT99160040	1	RADIAL BEARING Ø40	
31	KT9043220061	1	LATCH	
32	KT68312000	1	WASHER (DISC)	
33	KT99330483		PIN Ø8 - 65	
34	KT9050300061	1	COTTER BOLT	
35	KG01064161		LOCK NUT M10 8	
36	KT9051310061	1	SPINDLE	
37	KT9072400064	1	SPRING N=36 - Ø13 MM	
38	KT99458244	1	HANDLE	
39	KT9041920061	1	ARM	
40	KT9051500061	1	COTTER BOLT	

EXTRA 835T / Spring, hydraulic cylinder, RH



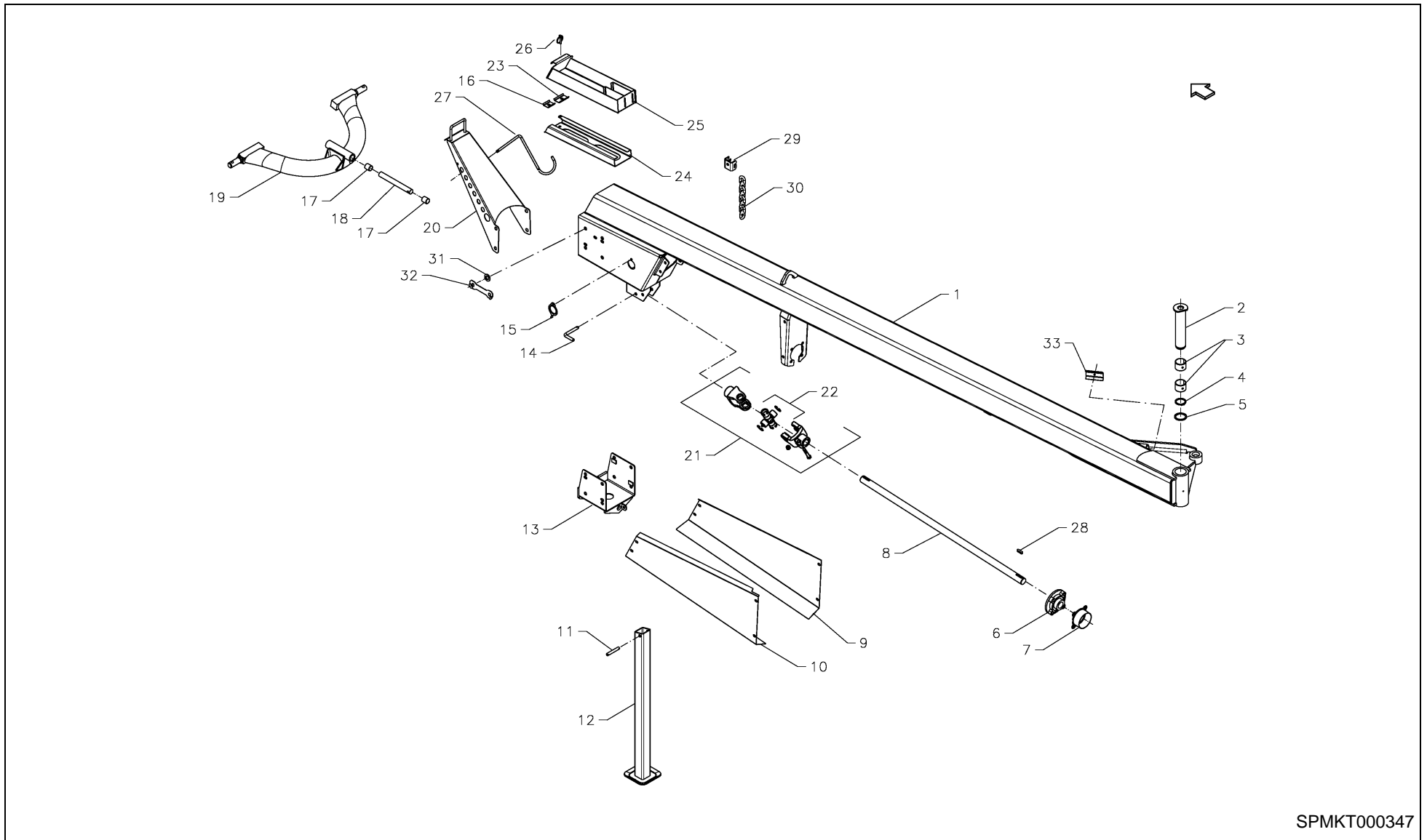
SPMKT000407

EXTRA 835T / Spring, hydraulic cylinder, RH



PosNo.	Part No.	Qty.	Description	Remark
41	KT9042000086	1	ARM	
42	KT9042700061	1	THREAD PIECE	
43	KT5616500061	3	WASHER	
44	KT9126000061	1	DISC	
45	KG00473861		HEX. SCREW M10X14 8.8	
46	KT9125900061	1	BUSHING	
47	KT99333832	1	LOCK WASHER 10,3 X 16,6 NORDLOCK	
48	KG00474361		HEX. SCREW M10X30 8.8	
49	KT3130700061	1	RING	
50	KG01267461		WASHER M10	

EXTRA 835T / Drawbar



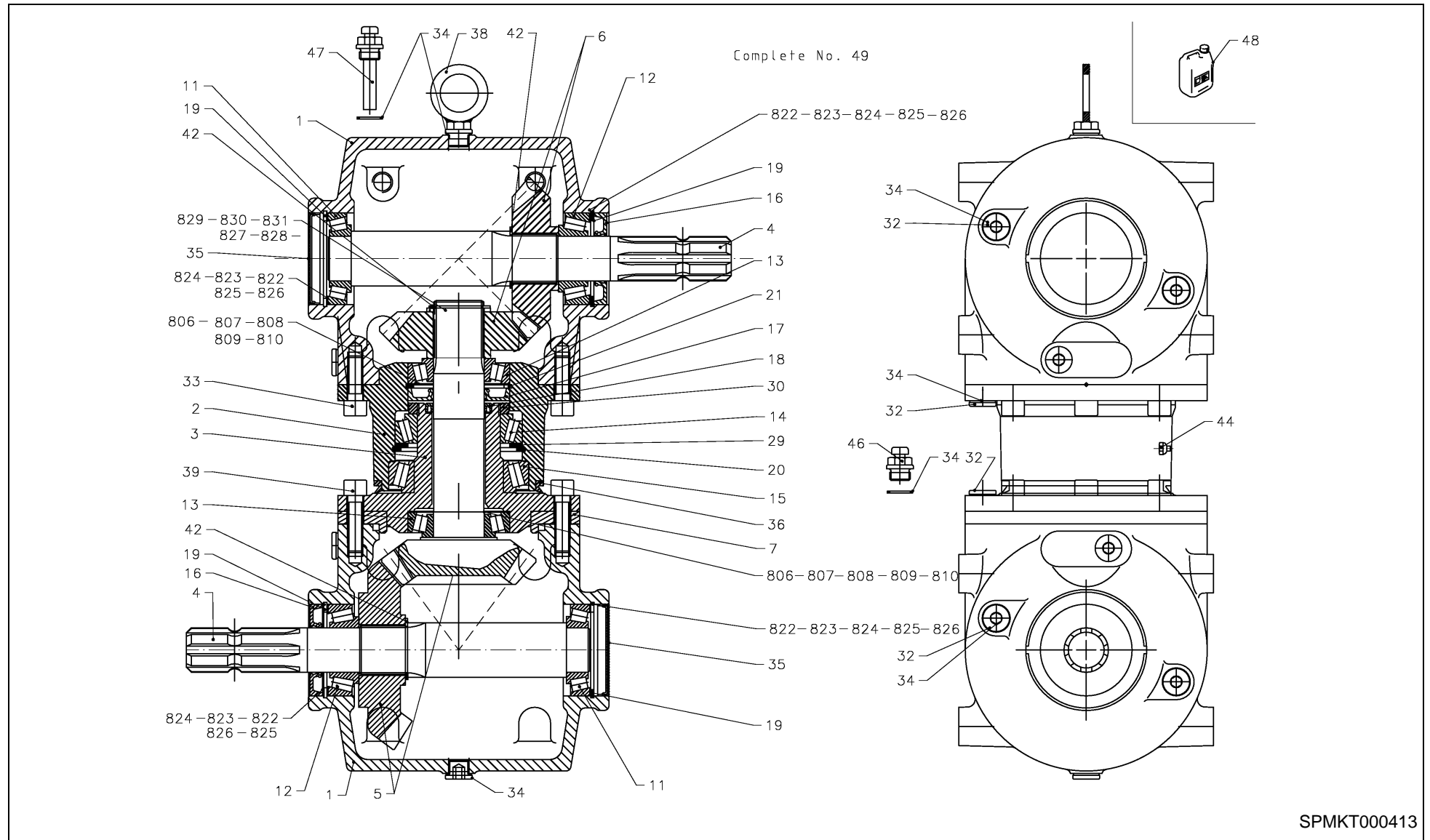
SPMKT000347



EXTRA 835T / Drawbar

PosNo.	Part No.	Qty.	Description	Remark
1	KT9033100086	1	DRAWBAR	
2	KT6823110061	1	SHAFT	
3	KT99158090	2	GLACIER BUSHING PM 5040 DX	
4	KG01110400	1	CIRCLIP-A 50 X 2	
5	KT99350537	1	SEEGER SUPPORT DISC SS50-62-3	
6	KT99125012	1	FLANGE BEARING Ø35	
7	KT9057600061	1	BRACKET	
8	KT9033200001	1	SHAFT	
9	KT9033300086	1	GUARD, RH	
10	KT9033400086	1	GUARD, LH	
11	KT6056800061	1	COTTER BOLT	
12	KT3877810086	1	SUPPORT LEG	
13	KT9032500086	1	CONSOLE	
14	KT3626300061	1	PIN BOLT	
15	KT2844700061	2	COVER	
16	KT9075100061	1	PLATE	
17	KT99158066	2	GLACIER BUSHING PM 2530 DX	
18	KT3877610061	1	SHAFT	
19	KT3877520086	1	YOKE	
20	KT9074810086	1	CONSOLE	
21	KT99244485	1	UNIVERSAL JOINT, COMPLETE	
22	KT99244498	1	CROSS, COMPLETE	
23	KT9075000061	1	PLATE	
24	KT9074600086	1	CONSOLE	
25	KT9074700086	1	TOOL BOX	
26	KT99331901	1	LINCH PIN Ø 6	
27	KT9074900061	1	HOOK	
28	KG01309000	2	KEY 10X8X45	
29	KT9088100061	1	BRACKET	
30	KT9089900061	1	CHAIN FOR GUARD (750 MM.)	
31	KT99333833	8	LOCK WASHER 13,0-19,5 NORDLOCK (NL12)	
32	KT9117700061	4	LOCK PLATE	
33	KT9117600061	1	FIXTURE	

EXTRA 835T / Swivel gear, complete

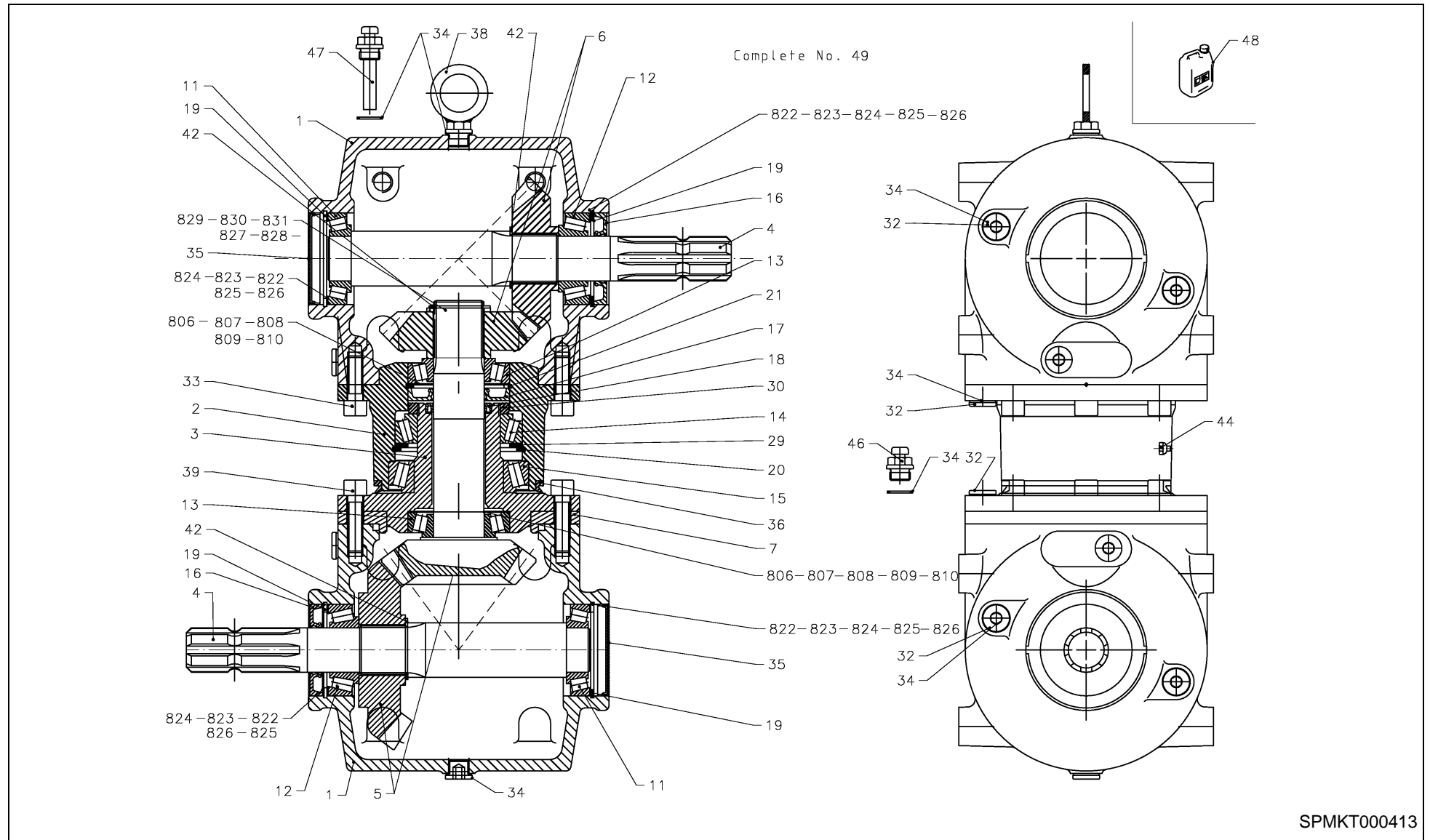




EXTRA 835T / Swivel gear, complete

PosNo.	Part No.	Qty.	Description	Remark
1	KT99255100	2	GEAR BOX CASING	
2	KT99255101	1	GEAR BOX CASING	
3	KT99255102	1	GEAR BOX CASING	
4	KT99255103	2	SHAFT	
5	KT99255104	1	GEAR WHEEL SET	
6	KT99255105	1	GEAR WHEEL SET	
7	KT99255106	1	SPACER	
11	KT99255107	2	ROLLER BEARING 30207A	
12	KT99255108	2	ROLLER BEARING 32207A	
13	KT99255109	2	ROLLER BEARING 32207A	
14	KT99255110	1	ROLLER BEARING 32013 XA	
15	KT99255111	2	ROLLER BEARING 32014 XA	
16	KT99255112	2	SEALING RING Ø35XØ72X10	
17	KT99255113	1	SEALING RING Ø40XØ80X10	
18	KT99255114	1	SEALING RING Ø40XØ52X7	
19	KT99255115	4	CIRCLIP 72X2,5	
20	KT99255116	2	CIRCLIP Ø100X3,0	
21	KT99255117	1	CIRCLIP Ø80X2,5	
29	KT99255118	1	SPACER Ø90XØ100X3,5	
30	KT99255119	1	SLOTTED ROUND NUT M65X2	
32	KT99255120	8	PLUG	
33	KT99255121	6	HEX. SOCKET HEAD CAP SCREW M12X35	
34	KT99255122	12	SEALING RING Ø16XØ20	
35	KT99255123	2	CAP Ø72X9	
36	KT99255124	1	SEALING RING	
38	KT99255125	1	BOLT	
39	KT99255126	6	HEX. SOCKET HEAD CAP SCREW M12X45	
42	KT99255127	3	CIRCLIP Ø39X1,75	
44	KT99255128	1	GREASE NIPPLE	
46	KT99255129	1	VALVE	
47	KT99255229	1	VALVE	
48	KT10101000	1	OIL CAN 1 LTR.	
49	KT99255001	2	SWIVEL GEAR, COMPLETE	
806	KT99255131	2	SHIM Ø72XØ80X0,15	
807	KT99255132	2	SHIM Ø72XØ80X0,1	
808	KT99255133	2	SHIM Ø72X0,80X0,3	
809	KT99255134	2	SHIM Ø72XØ80X0,5	
810	KT99255135	2	SHIM Ø72XØ80X1,0	
822	KT99255136	4	SHIM Ø62XØ72X0,15	
823	KT99255137	4	SHIM Ø62XØ72X0,1	

EXTRA 835T / Swivel gear, complete

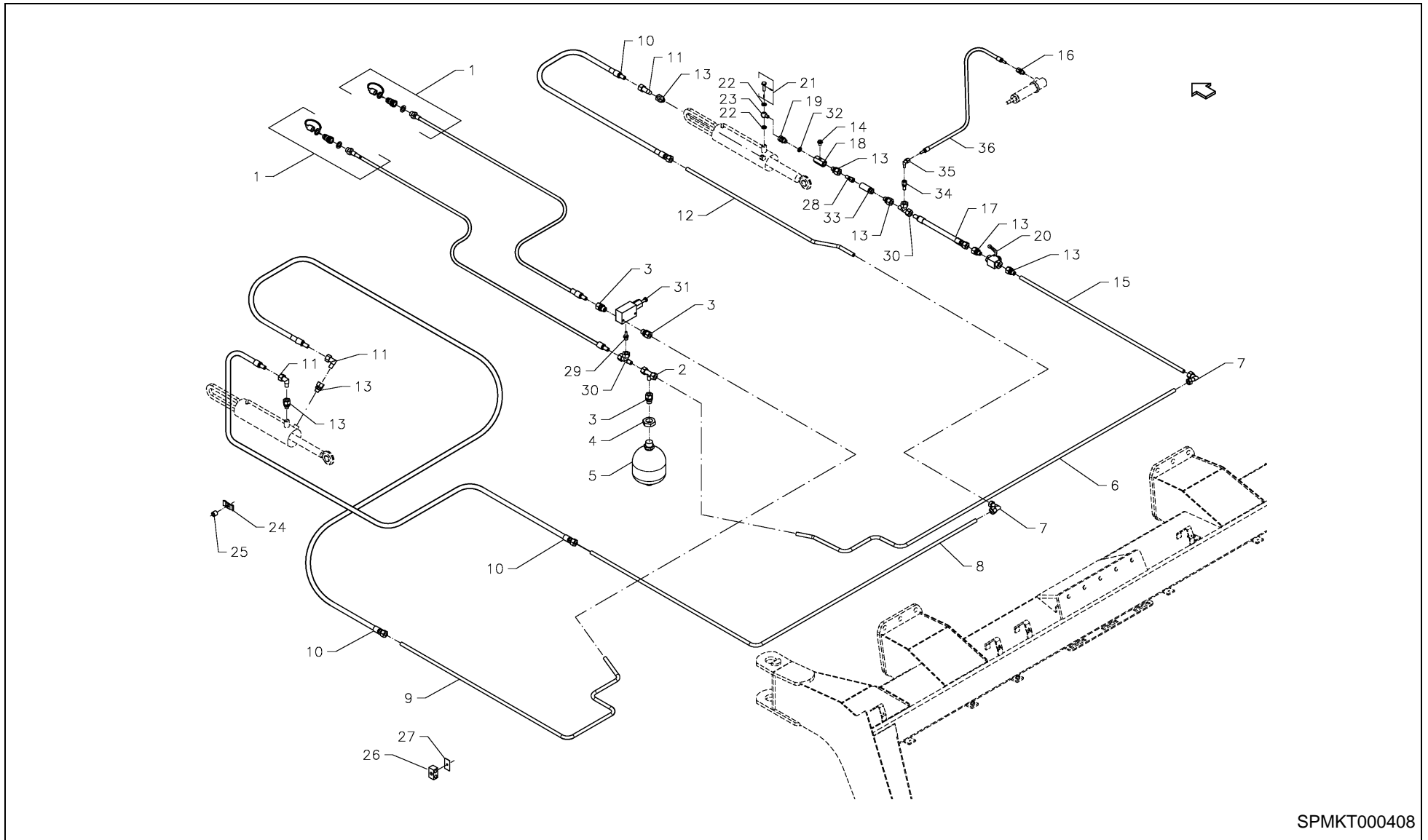




EXTRA 835T / Swivel gear, complete

PosNo.	Part No.	Qty.	Description	Remark
824	KT99255138	4	SHIM Ø62XØ72X0,3	
825	KT99255139	4	SHIM Ø62XØ72X0,5	
826	KT99255140	2	SHIM Ø62XØ72X1,0	
827	KT99255141	2	SHIM Ø40XØ50X2,0	
828	KT99255142	1	SHIM Ø40XØ50X0,5	
829	KT99255143	1	SHIM Ø40XØ50X0,3	
830	KT99255144	1	SHIM Ø40XØ50X0,1	
831	KT99255145	1	SHIM Ø40XØ50X0,15	

EXTRA 835T / Hydraulic



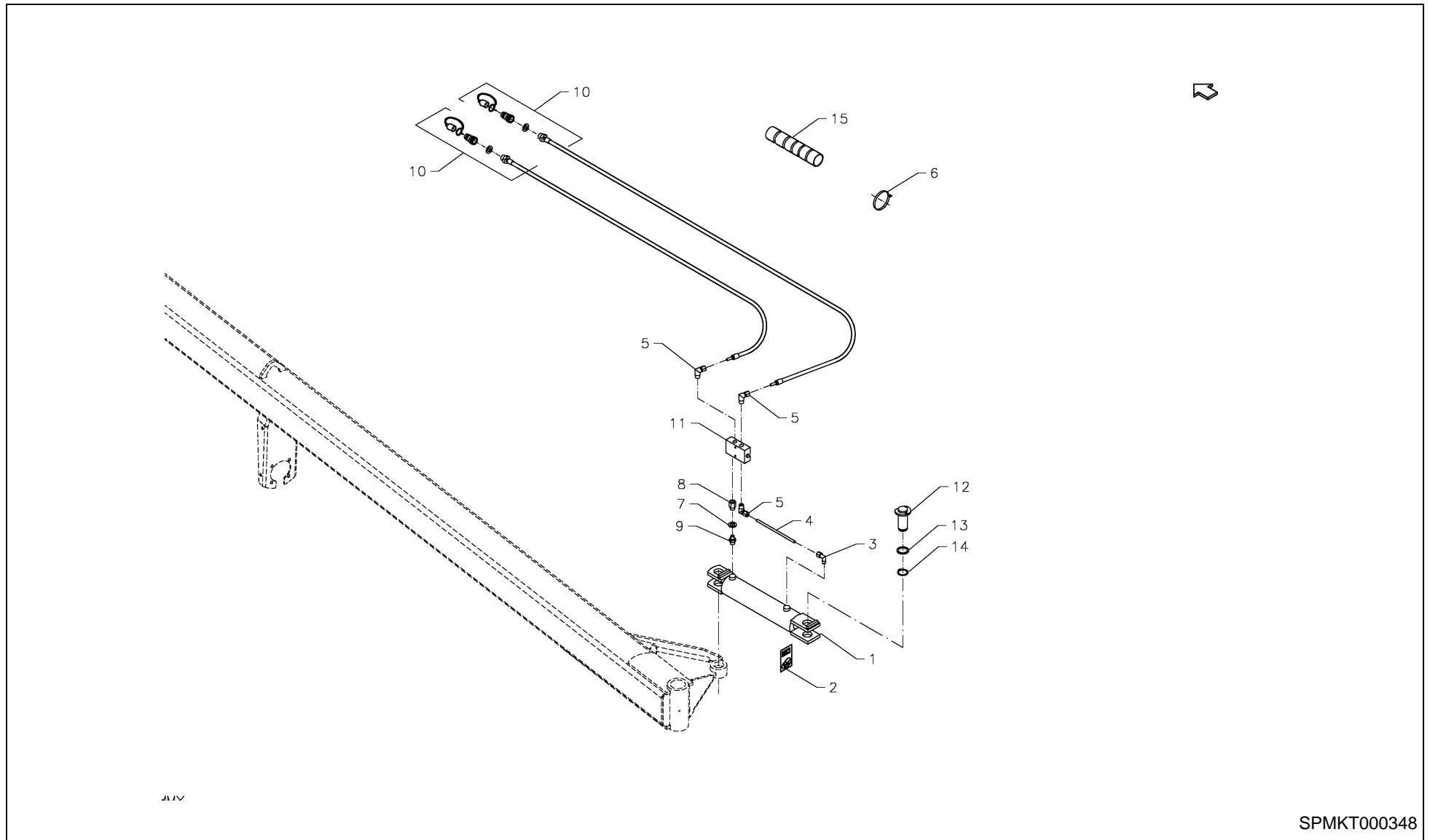
SPMKT000408



EXTRA 835T / Hydraulic

PosNo.	Part No.	Qty.	Description	Remark
1	KT90667000	2	HYDRAULIC HOSE L= 6370 MM	
2	KT99404242	1	ADJUSTABLE T-CONNECTION Ø15	
3	KT99402113	3	SCREWED CONNECTION Ø15-1/2"	
4	KT99307775	1	COUNTER NUT M33 X 1,5	
5	KT99408914	1	ACCUMULATOR 0,75 LTR.	
6	KT90673000	1	HYDRAULIC PIPE L= 2623MM	
7	KT99403015	2	ANGLE SCREW CAP Ø 15	
8	KT90674000	1	HYDRAULIC PIPE L= 2798MM	
9	KT90675100	1	HYDRAULIC PIPE L=1940MM	
10	KT90670000	3	HYDRAULIC HOSE L=1126MM	
11	KT99403211	3	ANGLE SCREW-JOINT Ø15-3/8"	
12	KT90671000	1	HYDRAULIC PIPE L=1015MM	
13	KT99402114	7	SCREWED CONNECTION Ø15-3/8"	
14	KT99402904	1	PLUG 1/4"	
15	KT90669000	1	HYDRAULIC PIPE L=1030MM	
16	KT99402112	1	STRAIGHT SCREWED CONNECTOR D8L-T76	
17	KT90906100	1	HYDRAULIC HOSE L=786 MM	
18	KT9065800061	1	STRAIGHT CONNECTION	
19	KT99402921	1	ADAPTOR 3/8" BSP - 3/8" BSP	
20	KT99407410	1	BLOCK BALL VALVE 3/8	
21	KT67602000	1	BANJO BOLT, COMPLETE	
22	KT99428522	2	COPPER DISC	
23	KT99402941	1	BANJO CONNECTION	
24	KT2995000061	2	BRACKET	
25	KT3349300061	2	BUSHING	
26	KT99408934	12	DOUBLE PIPE HOLDER	
27	KT99408943	7	TOP PLATE FOR DOUBLE PIPE CLIP	
28	KT99402922	1	TUBE CONNECTION Ø15-3/8"	
29	KT99402914	1	PIPE SOCKET	
30	KT99404018	2	L-SCREW JOINT Ø 15	
31	KT99407540	1	PRESSURE COMPENSATOR VALVE DINOIL VPDB1	
32	KD0300863	1	3/8 BSP DOWTY WASHER LD	
33	KT99407541	1	SEQUENTIAL VALVE 75 BAR	
34	KT99402927	1	REDUCTION BUSH Ø15-Ø8	
35	KT99403204	1	ANGLE SCREW-JOINT	
36	KT91261000	1	HYDRAULIC HOSE L=830 MM	

EXTRA 835T / Hydraulic, drawbar

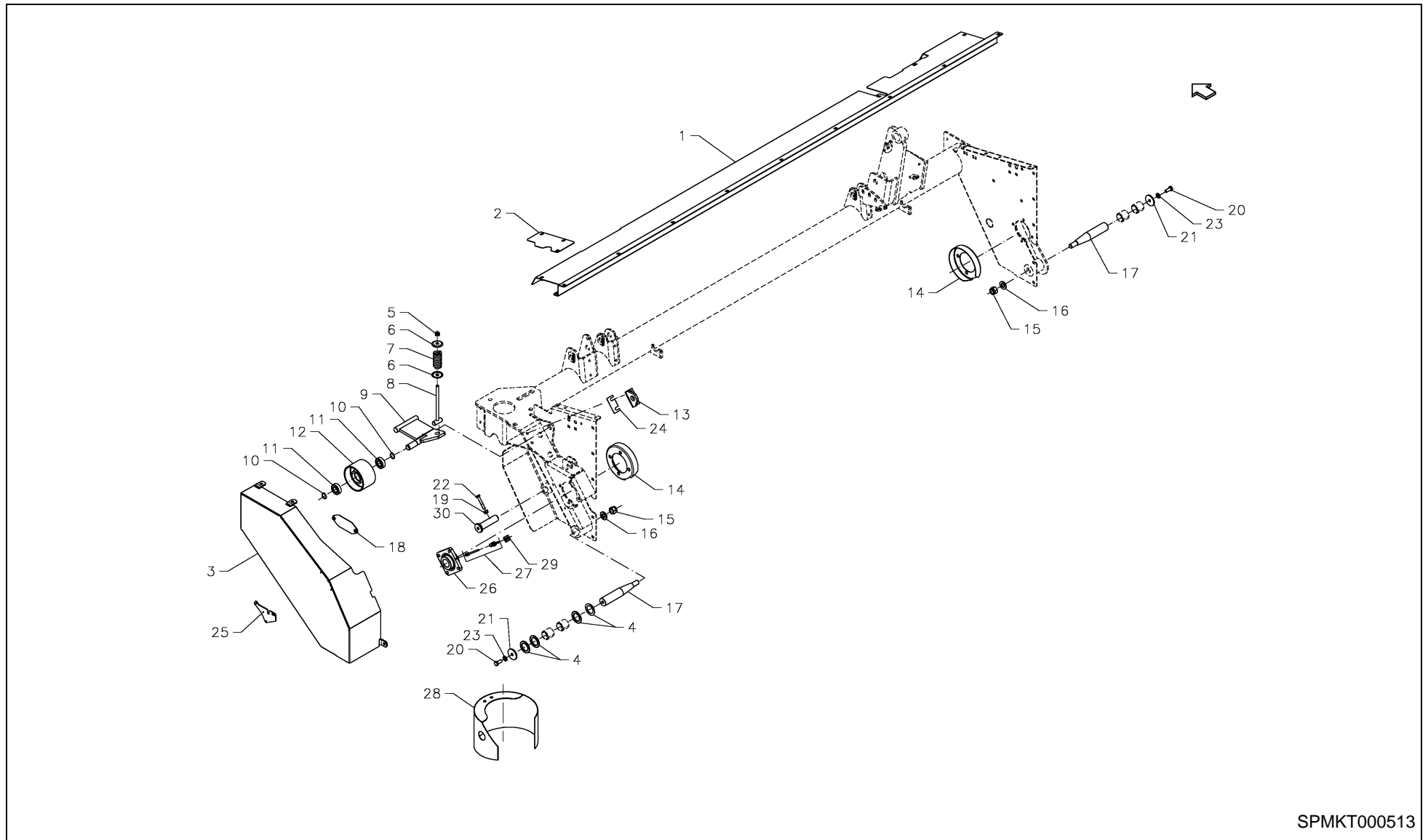




EXTRA 835T / Hydraulic, drawbar

PosNo.	Part No.	Qty.	Description	Remark
1	KT9040300086	1	HYDRAULIC CYLINDER	
2	KT99413144	1	GASKET KIT	
3	KT99403220	1	ELBOW CONNECTION Ø8 - 1/4"	
4	KT90678000	1	HYDRAULIC PIPE L= 203 MM	
5	KT99403221	3	ELBOW CONNECTION Ø8 - 3/8"	
6	KT99352042	2	HOSE BAND Ø44/Ø56	
7	KT99428514	1	SEALING WASHER PP458	
8	KT49143000	1	ADAPTOR 3/8" - 1/4"	
9	KT99402352	1	ADAPTOR 1/4" - 1/4" RG	
10	KT90677000	2	HYDRAULIC HOSE L= 6120 MM	
11	KT99407008	1	DOBBLE PILOT-OPERATED CHECK VALVE	
12	KT9051210061	2	COTTER BOLT	
13	KT56227000	2	SUPPORTING DISC	
14	KG01109300	2	CIRCLIP-A 35 X 1.5	
15	KT79459000	2	FLEXIBLE COVER L=750 MM.	

EXTRA 835T / Secondary frame



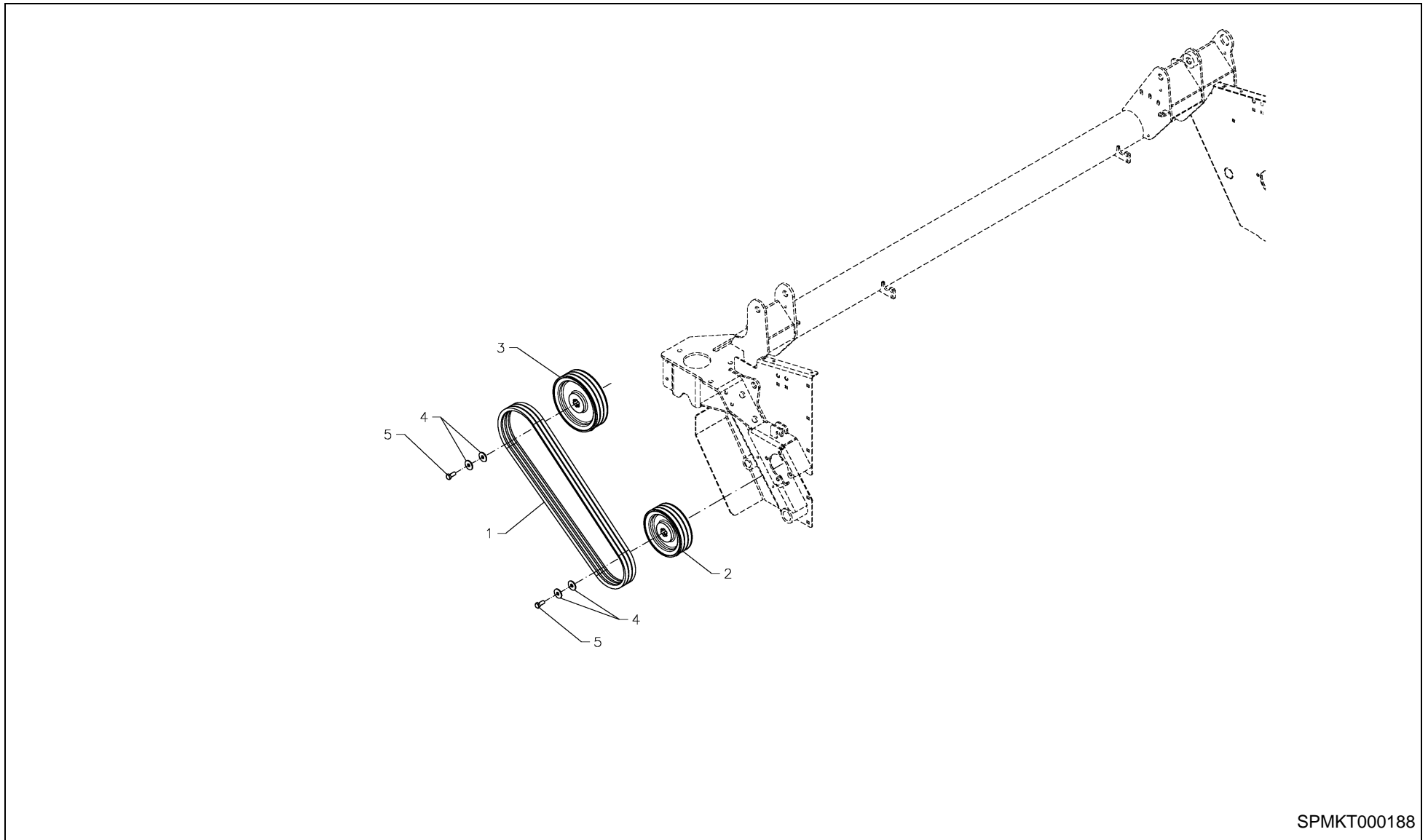
SPMKT000513



EXTRA 835T / Secondary frame

PosNo.	Part No.	Qty.	Description	Remark
1	KT9049600094	1	PLATE 3,5M	
2	KT9047400086	1	PLATE	
3	KT9034400094	1	GUARD	
4	KT9079000061	4	SPACER	
5	KG01064261	1	LOCK NUT M12 8	
6	KT9063000061	2	WASHER	
7	KT4837700061	1	SPRING	
8	KT9053600061	1	SPINDLE	
9	KT9034910086	1	CONSOLE	
10	KG01108300	2	OUTER RETAINING RING-A 25 X 1.2	
11	KG01378900	2	BALL BEARING 6205-2RS	
12	KT6245600001	1	JOCKEY ROLLER	
13	KT9053510061	1	BRACKET	
14	KT9034510061	2	GUARD	
15	KG01064661	2	LOCK NUT M20 8	
16	KT5882400061	2	WASHER	
17	KT9046900061	2	SHAFT	
18	KT9127600061		COVER PLATE	
19	KG01064161		LOCK NUT M10 8	
20	KG00476561	2	HEX. SCREW M12X30 8.8	
21	KT5874000061	2	WASHER	
22	KG00355761	1	HEX. BOLT M10X65 8.8	
23	KG01267561	2	WASHER M12	
24	KT9078900061	4	SHIM	
25	KT9087600061	1	BRACKET	
26	KT9085300097	2	BEARING, COMPLETE	
27	KT69540000	1	NYLON PIPE 6X3 MM, L = 365 MM	
28	KT9081010094	1	GUARD LH	
29	KT6953600061	1	BRACKET	
30	KT9035200061	1	SHAFT	

EXTRA 835T / Transmission



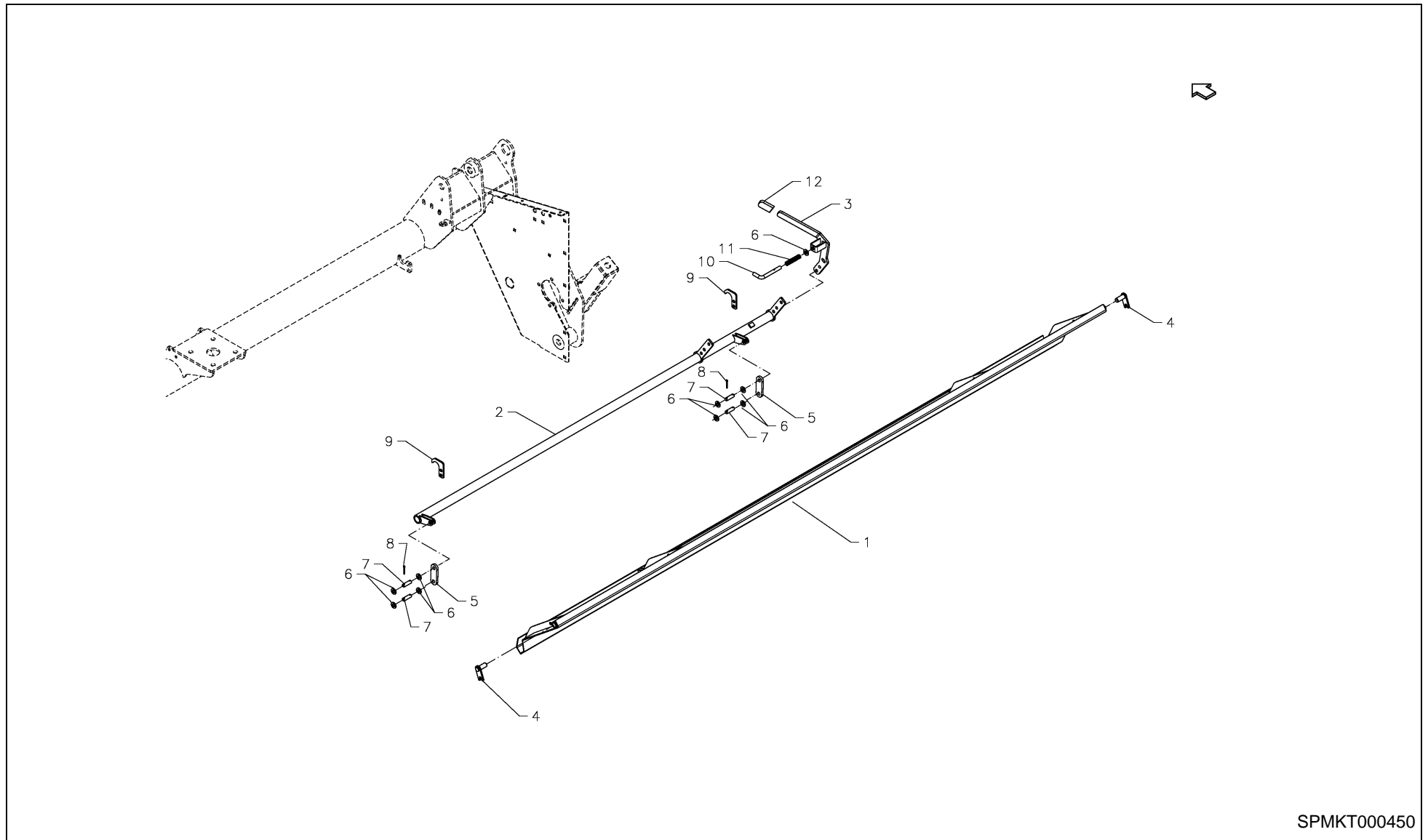
SPMKT000188



EXTRA 835T / Transmission

PosNo.	Part No.	Qty.	Description	Remark
1	KT99202435	1	SET OF V-BELTS LW 1860 (SET = 3 PCS.)	
2	KT6828400001	1	V-BELT PULLEY 3 SPB Ø190 MM	
3	KT6828300001	1	V-BELT PULLEY 3 SPB Ø225 MM	
4	KT5567000001	4	WASHER	
5	KG00476561	2	HEX. SCREW M12X30 8.8	

EXTRA 835T / Conditioner plate

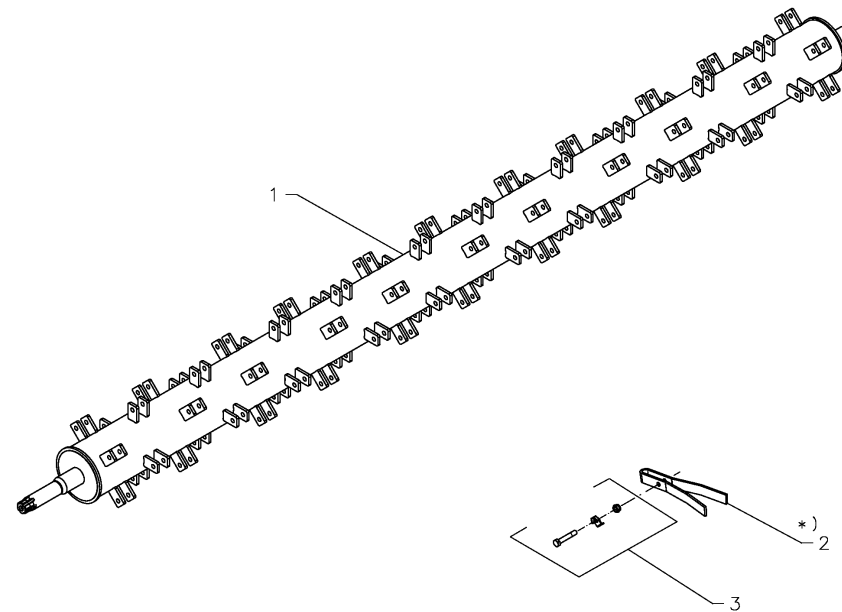


SPMKT000450



EXTRA 835T / Conditioner plate

PosNo.	Part No.	Qty.	Description	Remark
1	KT9118100086	1	CONDITIONER PLATE 3,5M / 3,6M	
2	KT9047610086	1	REGULATING ROD	
3	KT9046110086	1	HANDLE	
4	KT9046400061	2	COTTER BOLT	
5	KT9034700086	2	CONNECTING LINK	
6	KG01267561		WASHER M12	
7	KT9046300061	4	COTTER BOLT	
8	KG01186000		TENSION PIN 4X20	
9	KT9034800061	2	LOCK PLATE	
10	KT6827100061	1	COTTER BOLT	
11	KT1769300061	1	SPRING	
12	KT38218000	1	PLASTIC HANDLE	



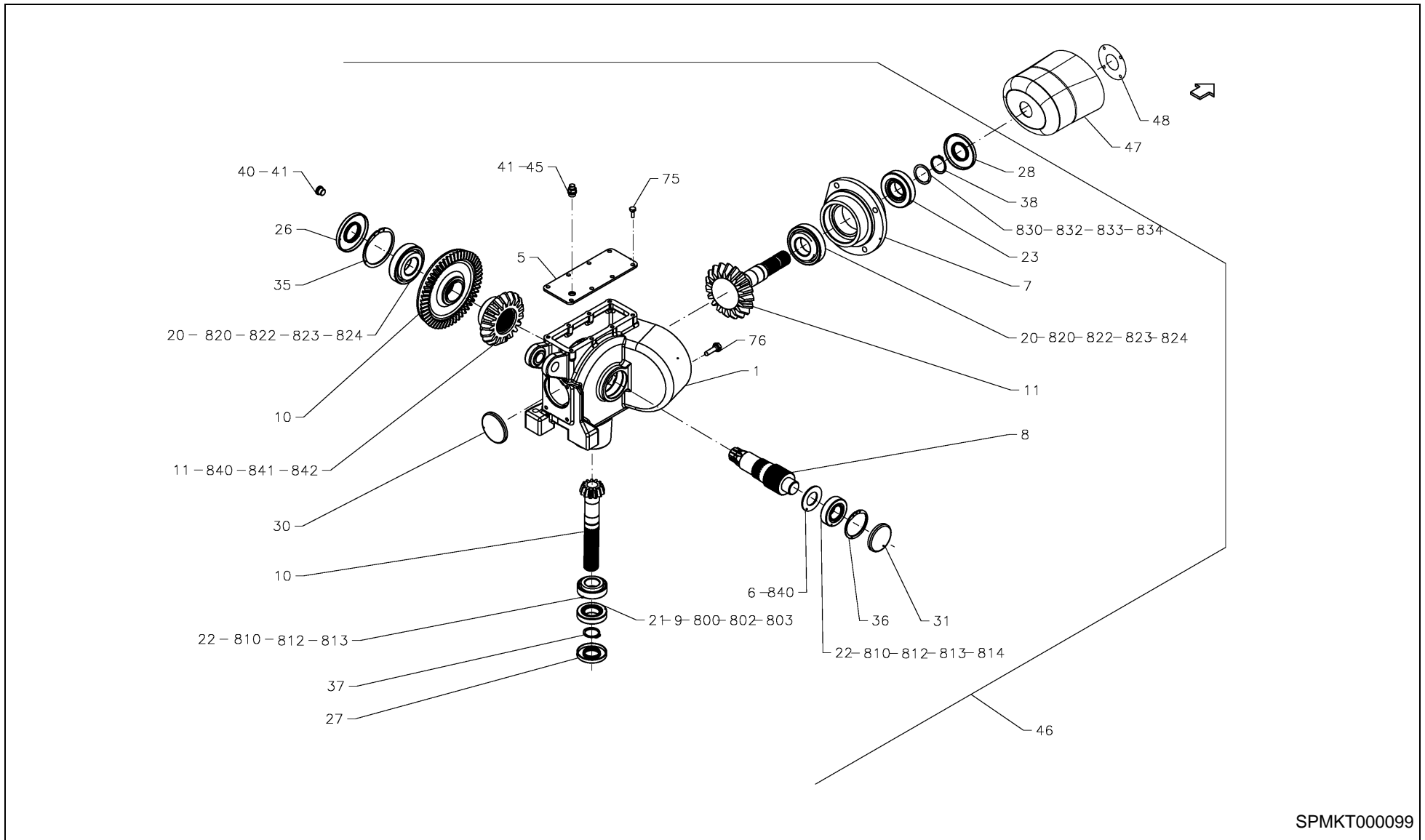
*.) Total number on the machine : 84 pcs.



EXTRA 835T / Rotor

PosNo.	Part No.	Qty.	Description	Remark
1	KT9030120086	1	ROTOR 3,5M / 3,6 M	
2	KT90276000	1	SPARE PART KIT (SET = 10 PCS.)	
3	KT90278000	1	BOLT KIT (SET = 10 PCS.)	

EXTRA 835T / Main gear box, complete



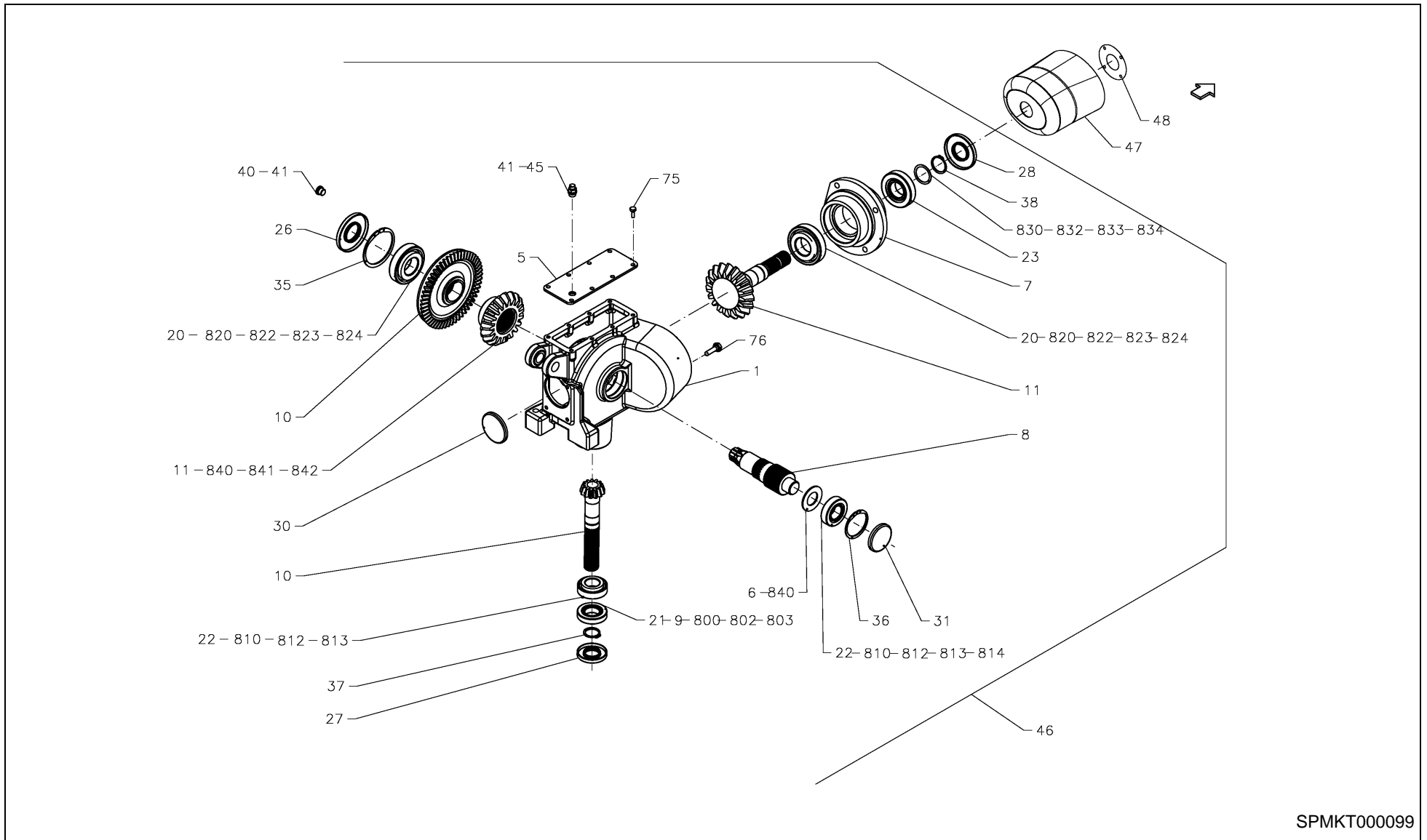
SPMKT000099



EXTRA 835T / Main gear box, complete

PosNo.	Part No.	Qty.	Description	Remark
1	KT99255147	1	GEAR BOX CASING	
5	KT99255148	1	COVER	
6	KT99255149	1	SPACER	
7	KT99255150	1	FLANGE	
8	KT99255151	1	SHAFT	
9	KT99255152	1	RING	
10	KT99255153	1	GEAR WHEEL SET	
11	KT99255154	1	GEAR WHEEL SET	
20	KT99255155	2	ROLLER BEARING	30309A
21	KT99255107	1	ROLLER BEARING 30207A	
22	KT99255108	2	ROLLER BEARING 32207A	
23	KT99255156	1	ROLLER BEARING 30308A	
26	KT99255157	1	SEALING RING	45x100x10
27	KT99255158	1	SEALING RING	35x72x10
28	KT99255159	1	SEALING RING	40x90x10
30	KT99255160	1	CAP	80x8
31	KT99255123	1	CAP Ø72X9	
800	KT99255165	2	SHIM	35x45x0,1
802	KT99255166	1	SHIM	35x45x0,3
35	KT99255116	1	CIRCLIP Ø100X3,0	
803	KT99255167	1	SHIM	35x45x0,5
36	KT99255115	1	CIRCLIP 72X2,5	
37	KT99255161	1	CIRCLIP	35x2,5
38	KT99255162	1	CIRCLIP	40x1,75
40	KT99255120	2	PLUG	
41	KT99255122	3	SEALING RING Ø16XØ20	Ø16xØ20
810	KT99255137	4	SHIM Ø62XØ72X0,1	
812	KT99255138	2	SHIM Ø62XØ72X0,3	
45	KT99255129	1	VALVE	
813	KT99255139	2	SHIM Ø62XØ72X0,5	
46	KT99255003	1	MAIN GEAR BOX, COMPLETE	
814	KT99255140	1	SHIM Ø62XØ72X1,0	
47	KT99244506	1	GUARD	
48	KT9062900061	1	DISC	
820	KT99255168	4	SHIM	90x100x0,1
822	KT99255169	2	SHIM	90x100x0,3
823	KT99255170	2	SHIM	90x100x0,5
824	KT99255171	2	SHIM	90x100x1,0
830	KT99255144	2	SHIM Ø40XØ50X0,1	
832	KT99255143	1	SHIM Ø40XØ50X0,3	

EXTRA 835T / Main gear box, complete



SPMKT000099



EXTRA 835T / Main gear box, complete

PosNo.	Part No.	Qty.	Description	Remark
833	KT99255142	1	SHIM Ø40XØ50X0,5	
834	KT99255172	1	SHIM	40x50x1,0
840	KT99255173	2	SHIM	60x75x0,1
841	KT99255174	2	SHIM	60x75x0,3
842	KT99255175	2	SHIM	60x75x0,5
75	KT99255163	8	HEX HEAD SCREW M8X20	
76	KT99255164	4	BOLT	M 12x40



EXTRA 835T / Cutterbar

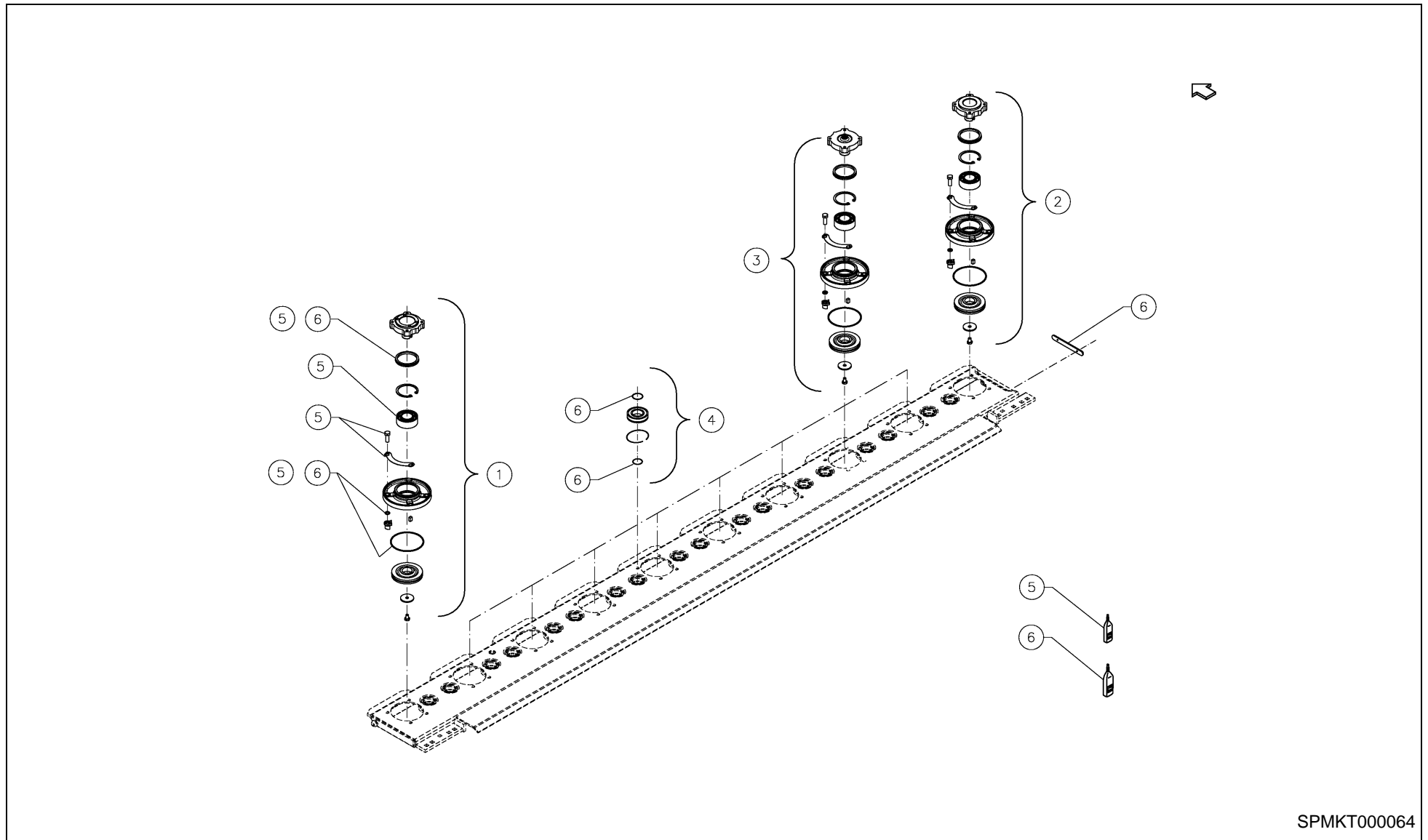
PosNo.	Part No.	Qty.	Description	Remark
1	KT5521200086	1	CUTTERBAR COMPLETE 3,5M	
2	KT5564900061	1	COVER	
3	KT55651000	1	GASKET	
4	KT5565000001	1	PATCH	
5	KT5512600001	1	HUB	
6	KT5512300001	8	HUB	
7	KT5564400001	18	AXLE JOURNAL	
8	KT99420238	18	OIL SEAL Ø37,1 X 1,6	
9	KT99457134	1	LOCTITE TUBE 3 G	
10	KT99457135	1	LOCTITE TUBE 10 G	
11	KT5564210001	18	GEAR WHEEL Z=32	
12	KT99420125	18	OIL SEAL Ø34,2X3	
13	KT5567000001	18	WASHER	
14	KG00476261	18	HEX. SCREW M12X20 8.8	
15	KT5512400001	1	HUB	
16	KT99421068	10	SEALING RING 75A	
17	KG01130900	10	CIRCLIP-B 80 X 2.5	
18	KG01840800	36	HEX. SCREW M12X35 10.9 4017	
19	KT99420109	44	OIL SEAL Ø10,69X3,53	
20	KT5572910061	20	LOCK PLATE	
21	KT5564610001	36	NUT	
22	KT5512200001	10	CASING	
23	KT99354122	10	KEY 10-8-16	
24	KT99420286	10	OIL SEAL Ø120,24X3,53	
25	KT5574900001	10	GEAR WHEEL Z=31	
26	KT5515400001	10	WASHER 11/50-4	
27	KG00473961	10	HEX. SCREW M10X16 8.8	
28	KT5513120086	1	10-DISCS CUTTERBAR REINFORCED	
29	KT99462633	1	PLUG M16X1,5	
30	KT99462718	2	DISC Ø16-Ø22X1	
31	KT99458109	1	TUBE PLUG M16X1,5	
32	KT99302819	4	STEEL BOLT M12X65	
33	KT5576600001	4	SPACER BUSHING	
34	KT10105000	1	OIL CAN 5 LTR.	
35	KT5576700001	2	LOCK PLATE	
36	KG01840900	4	HEX. NUT M12 10 4032	



EXTRA 835T / Transmission, cutterbar

PosNo.	Part No.	Qty.	Description	Remark
1	KT9030800086	1	CONSOLE, LH	
2	KT9035710086	1	CONSOLE RH	
3	KT9031020061	1	BRACKET	
4	KT5516200094	1	TOP PLATE	
5	KT5512710094	2	CONE	
6	KT56783000	1	KNIFE KIT RH CPL. KIT = 25 PCS. (105 MM)	
7	KT56784000	1	KNIFE KIT LH CPL. KIT = 25 PCS. (105 MM)	
8	KT56785000	1	KNIFE BOLT KIT CPL. (25 PCS.)	
9	KT99308824	32	STEEL BOLT (VERBUS RIBB BOLT) M10X16	
10	KT5513700086	8	COVER	
11	KT6865820094	1	TOP CONE	
12	KG01072461	8	LOCK NUT M12 8	
13	KT5524700086	2	RING	
14	KT99308826	16	STEEL BOLT (VERBUS RIBB BOLT) M10X20	
15	KT5513800086	9	COUNTER KNIFE	
16	KT5513600094	10	CUTTING DISC	
17	KT69708000	1	LUBRICATION PIPE L= 115MM, COMPLETE	
18	KT5627100061	4	WASHER	
19	KT5512500086	10	WEARING SOLE	
20	KG01267461	10	WASHER M10	
21	KT55246000	1	UNIVERSAL JOINT, COMPLETE	
22	KT99244511	2	CROSS, COMPLETE	
23	KT99417025	2	GREASING NIPPLE M6	
24	KT99158084	4	BEARING BUSHING PM 40	
25	KG00595400	4	CHEESE HEAD SCREW M10X16 12.9	
26	KT56149000	2	PLOUGH BOLT M10-40	
27	KT45429000	8	PLOUGH BOLT M10-30	
28	KT45431000	8	PLOUGH BOLT M12-35	

EXTRA 835T / Cutterbar



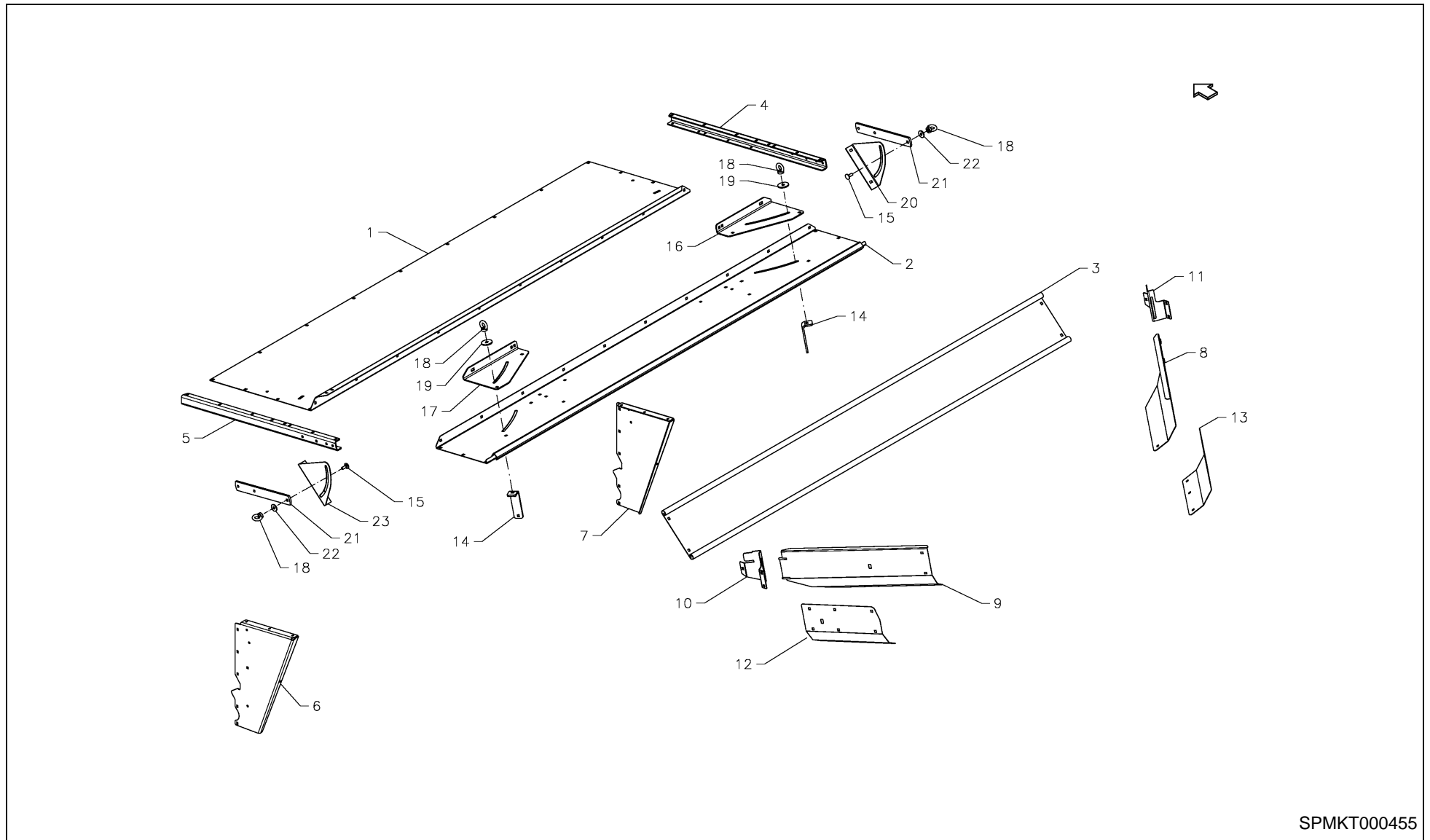
SPMKT000064



EXTRA 835T / Cutterbar

PosNo.	Part No.	Qty.	Description	Remark
1	KT55243000	1	CASING, COMPLETE	
2	KT55245000	1	CASING, COMPLETE	
3	KT55244000	1	CASING, COMPLETE	
4	KT55706100	1	SET OF BEARING	
5	KT55705300	1	SPARE PARTS SET	
6	KT55710300	1	GASKET KIT	

EXTRA 835T / Rear end & deflector plate

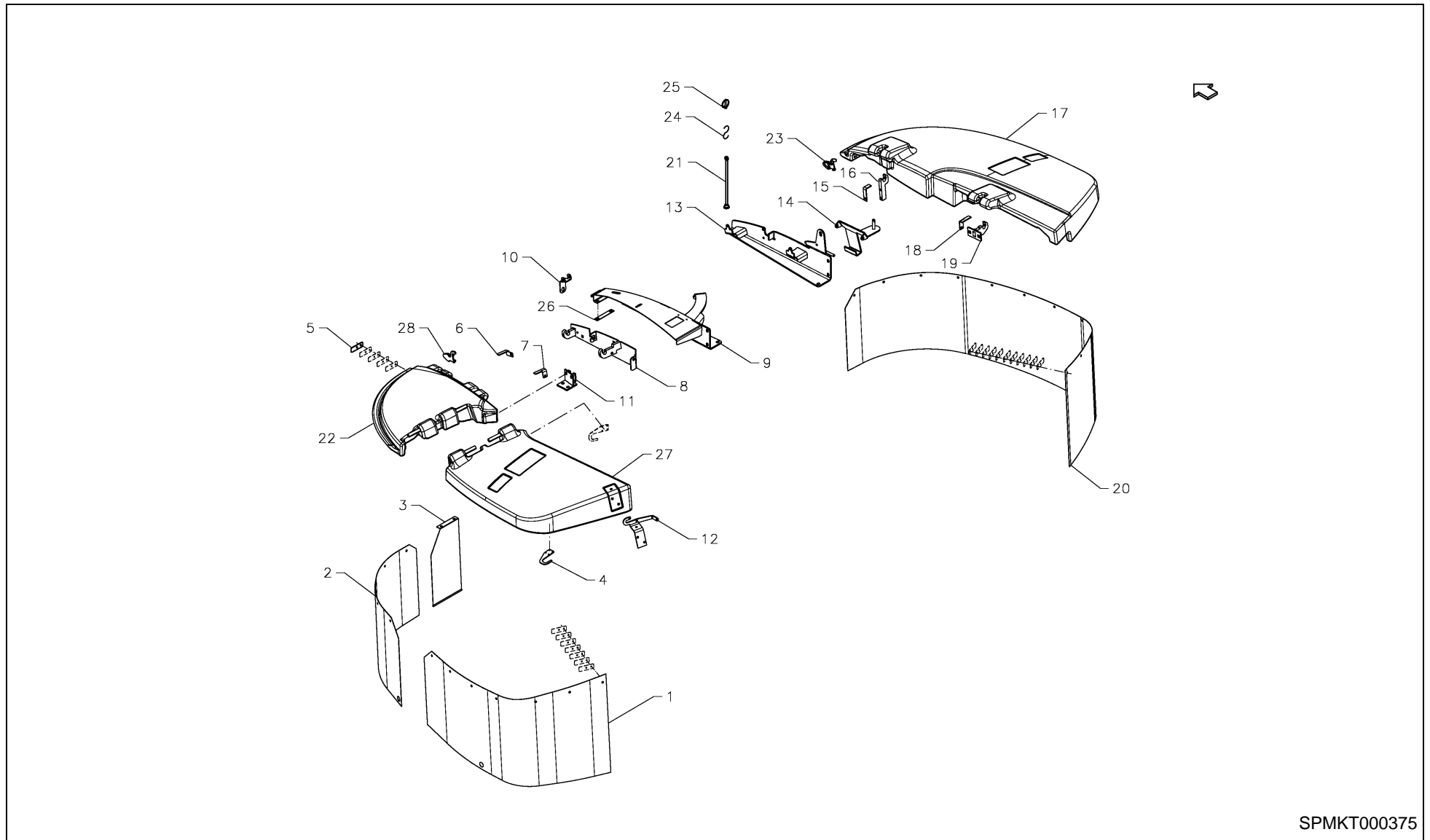


SPMKT000455



EXTRA 835T / Rear end & deflector plate

PosNo.	Part No.	Qty.	Description	Remark
1	KT9044900094	1	UPPER PLATE 3,5 / 3,6 M	
2	KT9045010094	1	UPPER PLATE 3,5 / 3,6M	
3	KT9045200094	1	PLATE 3,5 / 3,6 M	
4	KT9034100094	1	PROFILE, RH	
5	KT9034000094	1	PROFILE, LH	
6	KT9033800094	1	SIDE PLATE, LH	
7	KT9033900094	1	SIDE PLATE, RH	
8	KT9033710094	1	DEFLECTOR PLATE, RH	
9	KT9033610094	1	DEFLECTOR PLATE, LH	
10	KT9118400061	1	BRACKET LH	
11	KT9118300061	1	BRACKET RH	
12	KT9118600094	1	EXTENSION FOR DEFLECTOR PLATE LH	
13	KT9118700094	1	EXTENSION FOR DEFLECTOR PLATE RH	
14	KT9044400094	2	BRACKET	
15	KG00644961		CARRIAGE BOLT M12X35 8.8	
16	KT9119500094	1	REINFORCEMENT PLATE RH	
17	KT9119300094	1	REINFORCEMENT PLATE LH	
18	KG01094161	4	LIFTING EYE NUT M12 C15	
19	KT3917400061	2	WASHER	
20	KT6975420094	1	BRACKET RH	
21	KT6977200094	2	PROFIL	
22	KT5627100061	2	WASHER	
23	KT6975520094	1	BRACKET LH	

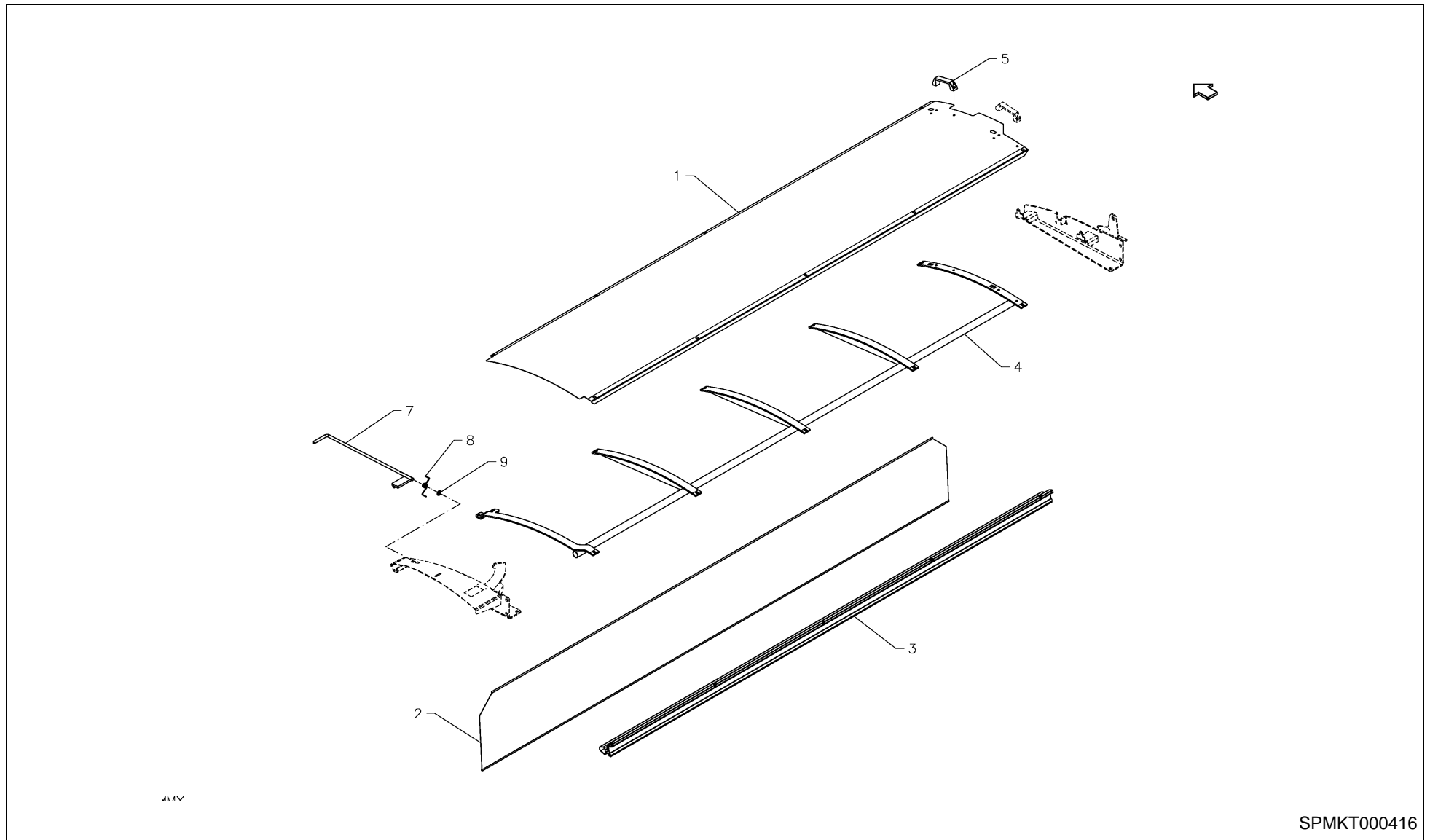


SPMKT000375



EXTRA 835T / Guard

PosNo.	Part No.	Qty.	Description	Remark
1	KT90819000	1	TARPAULIN	
2	KT90818000	1	TARPAULIN	
3	KT90820000	1	TARPAULIN	
4	KT9089300061	2	HOOK	
5	KT9039900061	23	BRACKET	
6	KT9085700061	1	BRACKET	
7	KT9083600061	1	BRACKET	
8	KT9071300086	1	HINGE, LH	
9	KT9071210086	1	ARM LH	
10	KT9071900061	1	BRACKET	
11	KT9071510061	1	BRACKET LH	
12	KT9071600061	1	BRACKET	
13	KT9060120086	1	ARM FOR GUARD	
14	KT9060220086	1	BRACKET	
15	KT9060400061	1	BRACKET	
16	KT9060300061	1	HINGE	
17	KT9039700086	1	GUARD RH	
18	KT9060900061	1	BRACKET	
19	KT9060500061	1	HINGE	
20	KT90619100	1	TARPAULIN LH	
21	VF06564448	2	CORD	
22	KT90721000	1	PROTECTION GUARD LH	
23	VGLF225	1	CAP, PLASTIC	
24	KT99452096	1	HOOK	
25	KT99331901	1	LINCH PIN Ø 6	
26	KT9071800061	1	BRACKET	
27	KT90859000	1	PROTECTION GUARD LH	
28	VGLF226	1	CAP, PLASTIC	

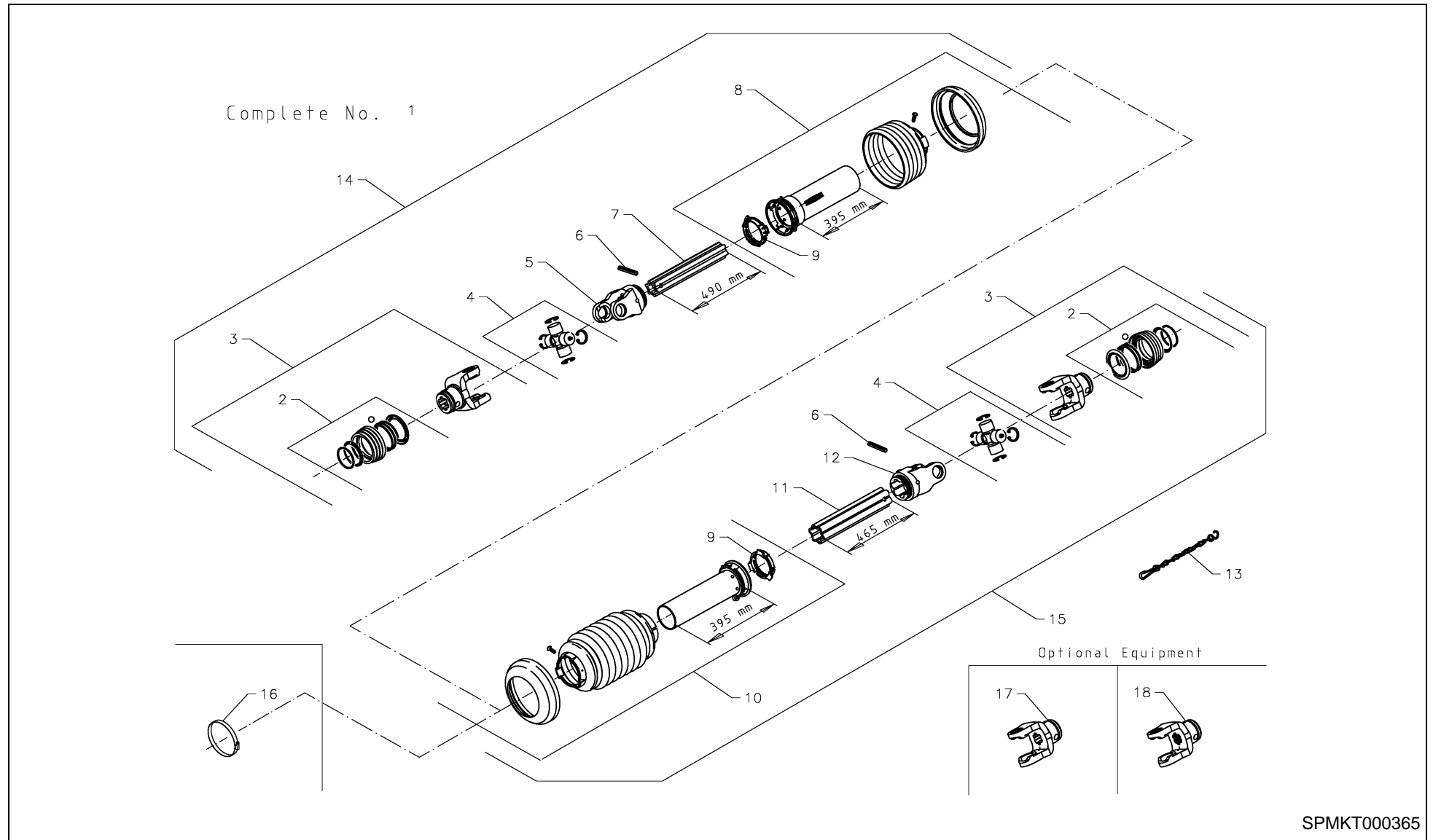




EXTRA 835T / Guard

PosNo.	Part No.	Qty.	Description	Remark
1	KT9064720094	1	FRONT COVER PLATE	
2	KT90817000	1	TARPAULIN 3.5 M	
3	KT90646100	1	ALUMINUM PROFILE 3,5M	
4	KT9064520086	1	FRAME FRONT GUARD	
5	KT99458238	2	PLASTIC HANDLE	
7	KT9071410061	1	LOCK	
8	KT9072010061	1	SPRING	
9	KG01267561		WASHER M12	

EXTRA 835T / PTO shaft



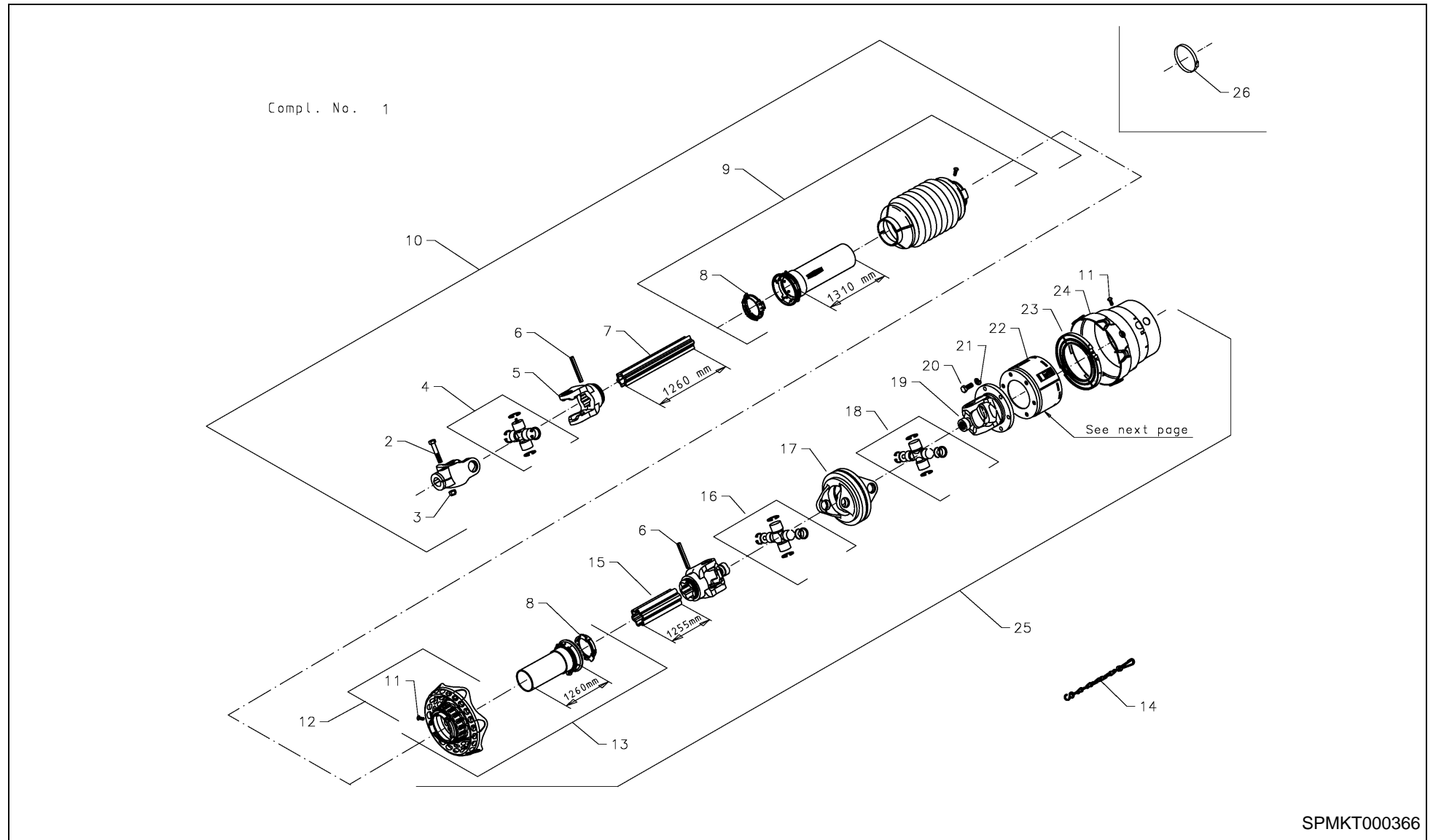
SPMKT000365



EXTRA 835T / PTO shaft

PosNo.	Part No.	Qty.	Description	Remark
1	KT99244475	1	PTO SHAFT, COMPLETE	
2		4	NO PART NUMBER AVAILABLE	Walterscheid No. 135048
3		4	NO PART NUMBER AVAILABLE	Walterscheid No. 133836
4	KT99244480	4	CROSS CPL.	
5		1	NO PART NUMBER AVAILABLE	Walterscheid No. 356905
6		4	NO PART NUMBER AVAILABLE	Walterscheid No. 020617
7		1	NO PART NUMBER AVAILABLE	Walterscheid No. 134940
8	KT99244472	1	OUTER PROTECTION TUBE, COMPLETE	
9		4	NO PART NUMBER AVAILABLE	Walterscheid No. 087276
10	KT99244473	1	INNER PROTECTION TUBE, COMPLETE	
11		1	NO PART NUMBER AVAILABLE	Walterscheid No. 017660
12		1	NO PART NUMBER AVAILABLE	Walterscheid No. 356906
13		1	NO PART NUMBER AVAILABLE	Walterscheid No. 044321
14	KT99244476	1	PTO SHAFT, INNER HALF, COMPLETE	
15	KT99244477	1	PTO SHAFT, OUTER HALF, COMPLETE	
16	KT99352040	1	HOSE BAND Ø87/Ø112 / 12	
17	ACCESSOIRE	1	PLEASE CONTACT YOUR DEALER	
18	ACCESSOIRE	1	PLEASE CONTACT YOUR DEALER	

EXTRA 835T / PTO shaft



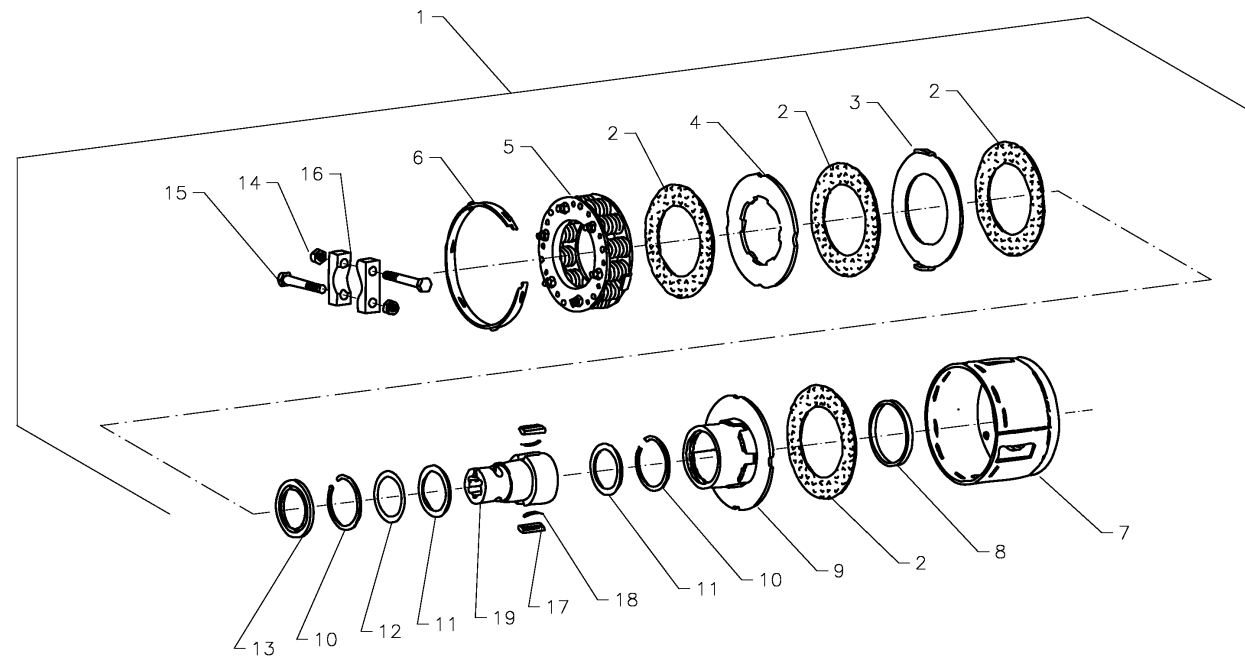
SPMKT000366



EXTRA 835T / PTO shaft

PosNo.	Part No.	Qty.	Description	Remark
1	KT99244495	1	PTO SHAFT, COMPLETE	
2		1	NO PART NUMBER AVAILABLE	Walterscheid No. 020471
3		1	NO PART NUMBER AVAILABLE	Walterscheid No. 010490
4	KT99244498	1	CROSS, COMPLETE	
5		1	NO PART NUMBER AVAILABLE	Walterscheid No. 356905
6		1	NO PART NUMBER AVAILABLE	Walterscheid No. 020617
7		1	NO PART NUMBER AVAILABLE	Walterscheid No. 134937
8		2	NO PART NUMBER AVAILABLE	Walterscheid No. 087276
9	KT99244474	1	INNER PROTECTION TUBE, COMPLETE	
10	KT99244496	1	PTO SHAFT, INNER HALF, COMPLETE	
11		3	NO PART NUMBER AVAILABLE	Walterscheid No. 365305
12		1	NO PART NUMBER AVAILABLE	Walterscheid No. 134847
13	KT99244478	1	OUTER PROTECTION TUBE, COMPLETE	
14		1	NO PART NUMBER AVAILABLE	Walterscheid No. 382078
15		1	NO PART NUMBER AVAILABLE	Walterscheid No. 134935
16	KT99244499	1	CROSS, COMPLETE	
17		1	NO PART NUMBER AVAILABLE	Walterscheid No. 128854
18	KT99244501	1	CROSS, COMPLETE	
19		1	NO PART NUMBER AVAILABLE	Walterscheid No. 137805
20		1	NO PART NUMBER AVAILABLE	Walterscheid No. 178119
21		1	NO PART NUMBER AVAILABLE	Walterscheid No. 178115
22	KT99244481	1	FRICTION CLUTCH, CPL.	
23		1	NO PART NUMBER AVAILABLE	Walterscheid No. 172715
24		1	NO PART NUMBER AVAILABLE	Walterscheid No. 129948
25	KT99244497	1	PTO SHAFT, OUTER HALF, COMPLETE	
26	KT99352040	1	HOSE BAND Ø87/Ø112 / 12	

EXTRA 835T / Friction clutch



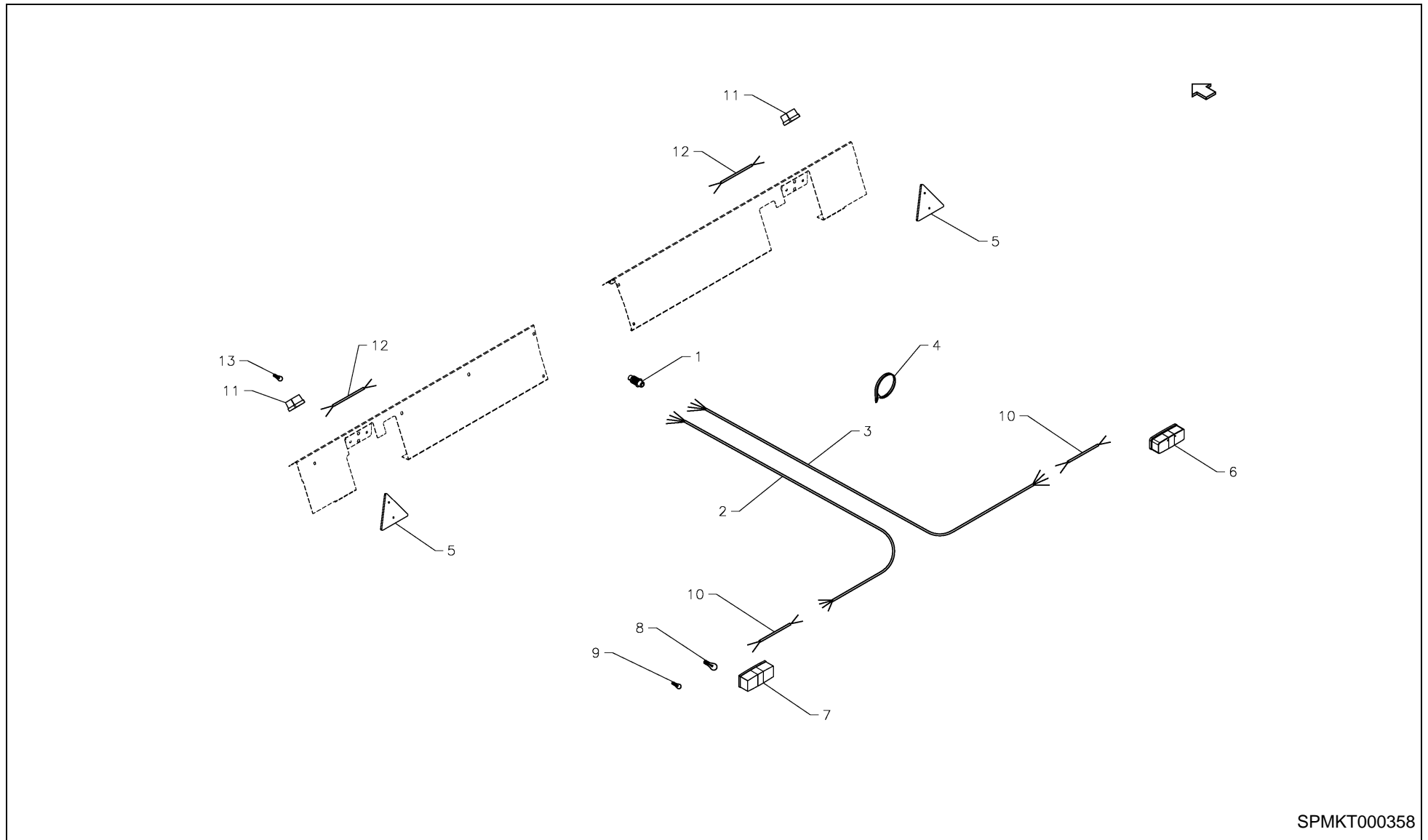
SPMKT000131



EXTRA 835T / Friction clutch

PosNo.	Part No.	Qty.	Description	Remark
1	KT99244481	1	FRICITION CLUTCH, CPL.	
2	KT99244479	4	FRICITION DISC	
3		1	NO PART NUMBER AVAILABLE	Walterscheid No. 367726
4		1	NO PART NUMBER AVAILABLE	Walterscheid No. 367725
5		1	NO PART NUMBER AVAILABLE	Walterscheid No. 377673
6		1	NO PART NUMBER AVAILABLE	Walterscheid No. 367720
7		1	NO PART NUMBER AVAILABLE	Walterscheid No. 367767
8		1	NO PART NUMBER AVAILABLE	Walterscheid No. 367718
9		1	NO PART NUMBER AVAILABLE	Walterscheid No. 169198
10		2	NO PART NUMBER AVAILABLE	Walterscheid No. 702100
11		2	NO PART NUMBER AVAILABLE	Walterscheid No. 304235
12		1	NO PART NUMBER AVAILABLE	Walterscheid No. 116141
13		1	NO PART NUMBER AVAILABLE	Walterscheid No. 170012
14		2	NO PART NUMBER AVAILABLE	Walterscheid No. 020471
15		2	NO PART NUMBER AVAILABLE	Walterscheid No. 332178
16		2	NO PART NUMBER AVAILABLE	Walterscheid No. 010490
17		2	NO PART NUMBER AVAILABLE	Walterscheid No. 331737
18		2	NO PART NUMBER AVAILABLE	Walterscheid No. 332185
19		1	NO PART NUMBER AVAILABLE	Walterscheid No. 185830

EXTRA 835T / Lighting kit



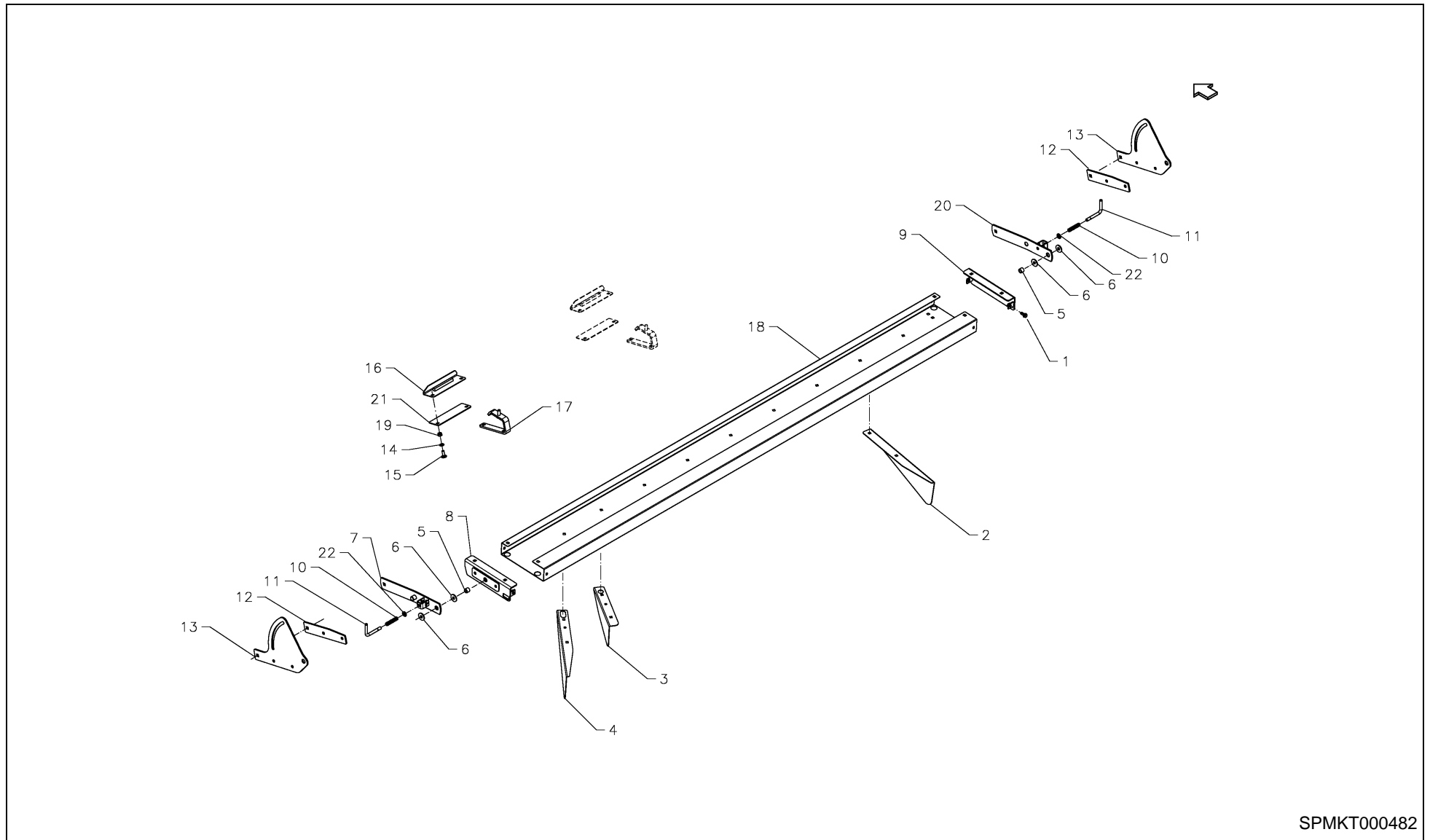
SPMKT000358



EXTRA 835T / Lighting kit

PosNo.	Part No.	Qty.	Description	Remark
1	KT99478196	1	7 PIN PLUG	
2	KT90580000	1	CABLE L= 7200 MM.	
3	KT90579000	1	CABLE L= 9600 MM	
4	KT99478389	8	CABLE TIE	
5	KT99458332	2	REFLEX	
6	KT99474335	1	REAR LIGHT	
7	KT99474336	1	REAR LIGHT	
8	KT99477138		BULB 12V 21W	
9	KT99477137		BULB 12V 10W	
10	KT90582000	2	CABLE L = 200 MM.	
11	KT99474330	2	POSITION LANTERN	
12	KT90583000	2	CABLE L= 200 MM.	
13	KT99477136		BULB 12V 5W	

EXTRA 835T / Optional equipment



SPMKT000482



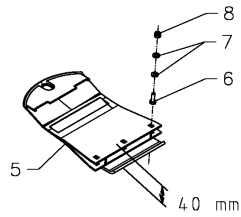
EXTRA 835T / Optional equipment

PosNo.	Part No.	Qty.	Description	Remark
1	KG00981961		FLANGED BOLT M10X25 TENSIOLOC	
2	KT6989900094	1	SPREADING VANE	
3	KT7047500094	8	SPREADING VANE	
4	KT7047400094	1	SPREADING VANE	
5	KT7049000061	2	BUSHING	
6	KT3817000061	4	WASHER	
7	KT7048400094	1	BRACKET, LH	
8	KT7048210094	1	BRACKET, LH	
9	KT7048310094	1	BRACKET, RH	
10	KT1769300061	2	SPRING	
11	KT7048100061	2	HANDLE	
12	KT9063800061	2	PLATE	
13	KT7048820094	2	PLATE	
14	KG01267461		WASHER M10	
15	KG00641461		CARRIAGE BOLT M10X25 8.8	
16	KT9062800061	2	BRACKET	
17	KT9062710061	2	BRACKET FOR DEFLECTOR PLATE	
18	KT9063200094	1	SPREADING VANE 3,6M LT	
19	KG01064161		LOCK NUT M10 8	
20	KT7048500094	1	BRACKET, RH	
21	KT9119400061	2	PLATE	
22	KG01267561		WASHER M12	

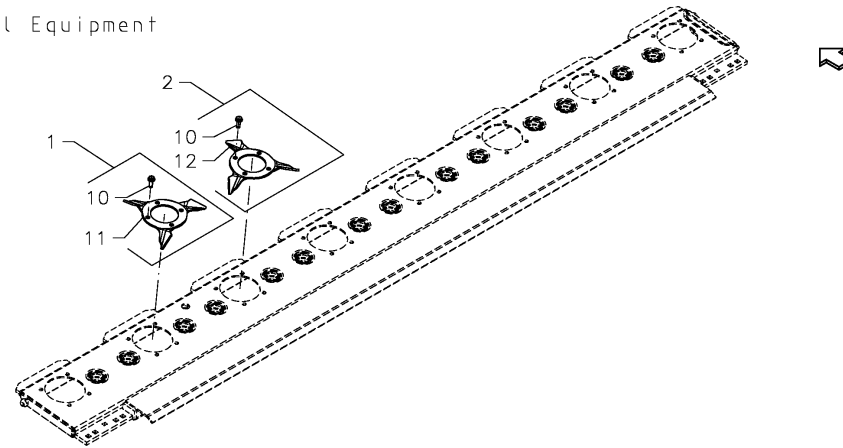
EXTRA 835T / Optional equipment



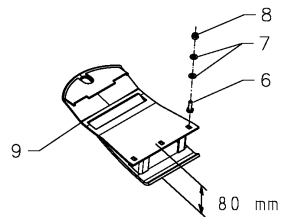
Optional Equipment



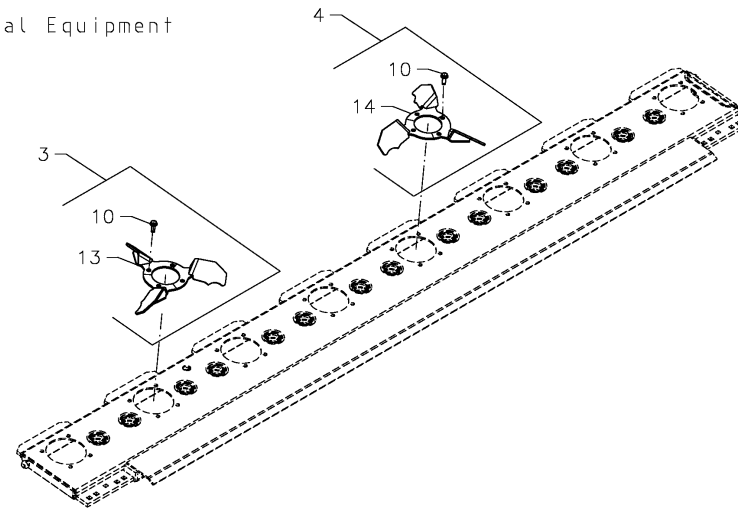
Optional Equipment



Optional Equipment



Optional Equipment



SPMKT000417



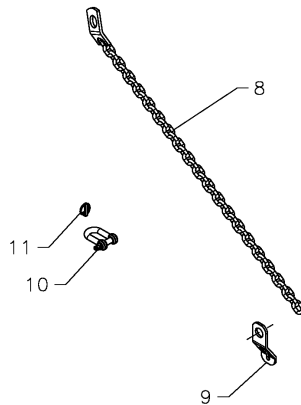
EXTRA 835T / Optional equipment

PosNo.	Part No.	Qty.	Description	Remark
1	KT55277000	4	THROWING WING RH	
2	KT55278000	4	THROWING WING LH	
3	KT55167000	4	THROWING WING SORGUM RH COMPL.	
4	KT55166000	4	THROWING WING SORGUM LH COMPL.	
5	KT5524000086	1	HIGH STONE GUARD 40 MM	
6	KG00474361	4	HEX. SCREW M10X30 8.8	
7	KG01267461	8	WASHER M10	
8	KG01064161	4	LOCK NUT M10 8	
9	KT5515300086	1	HIGH STONE GUARD 80 MM	
10	KT99308828		STEEL BOLT M10X25 10.9	
11	KT5524100086	4	THROWING WING RH	
12	KT5524200086	4	THROWING WING LH	
13	KT5516500086	4	THROWING WING SORGUM RH	
14	KT5516400086	4	THROWING WING SORGUM LH	

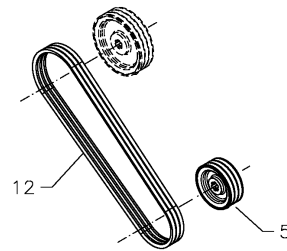
EXTRA 835T / Optional equipment



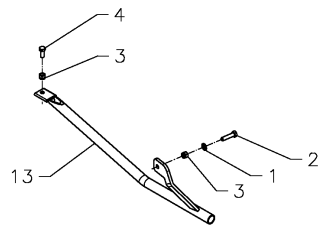
Optional Equipment



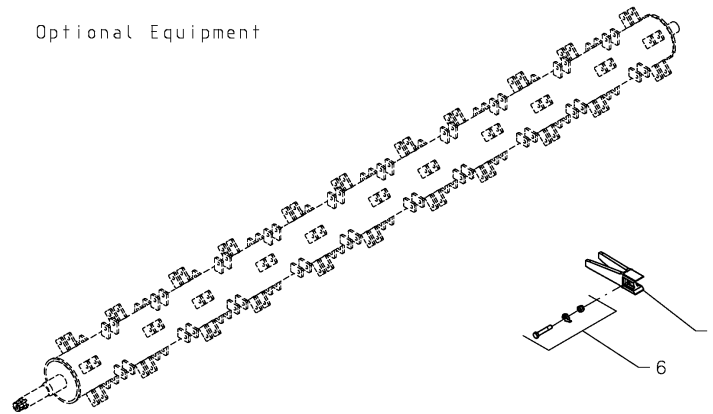
Optional Equipment (1015 rpm)



Optional Equipment



Optional Equipment



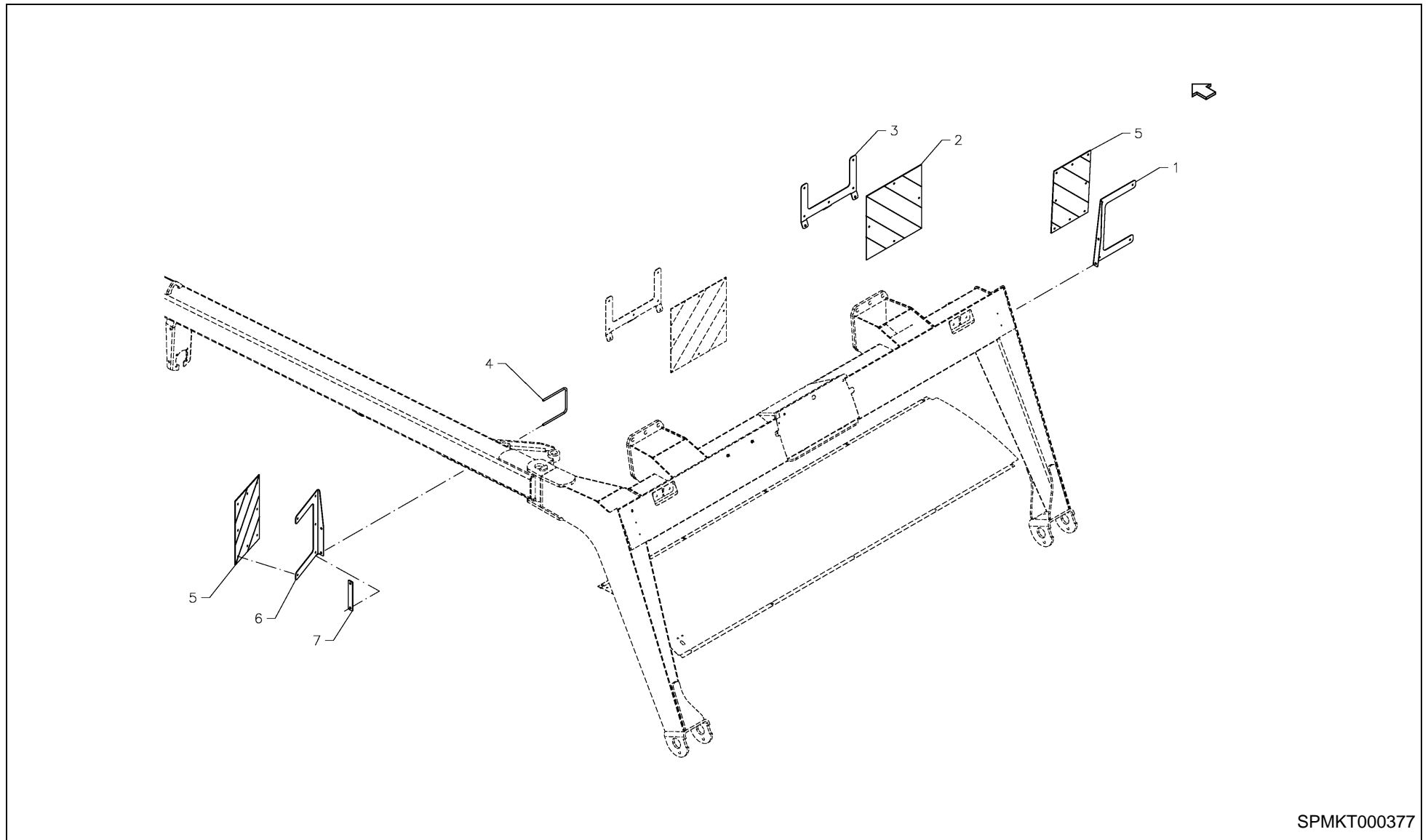
SPMKT000512



EXTRA 835T / Optional equipment

PosNo.	Part No.	Qty.	Description	Remark
1	KG01267561	1	WASHER M12	
2	KG00476961	1	HEX. SCREW M12X50 8.8	
3	KG01064261	2	LOCK NUT M12 8	
4	KG00476561	1	HEX. SCREW M12X30 8.8	
5	KT7028800001	1	V-BELT PULLEY 3 SPB Ø 161MM	
6	KT90278000	84	BOLT KIT (SET = 10 PCS.)	
7	KT90360000	84	PLASTIC FINGER	
8	KT6755820061	1	CHAIN	
9	KT9089800061	1	BRACKET	
10	KT99452075	1	SHACKLE 3/4	
11	KT42176000	1	LOCK SPLIT	
12	KT99202438	1	SET OF V-BELTS LW 1810 (SET = 3 PCS.)	
13	KT9117800086	1	STRAW DIVIDER	

EXTRA 835T / Optional equipment



SPMKT000377



EXTRA 835T / Optional equipment

PosNo.	Part No.	Qty.	Description	Remark
1	KT9115800061	1	CONSOLE RH	
2	KT99458380	2	RED/WHITE L/R WARNING FOIL 423X423	
3	KT9116000061	2	CONSOLE	
4	KT9116200061	1	U-BOLT	
5	KT99458381	2	RED/WHITE WARNI 423X282 VERT=RH/HORIZ=LH	
6	KT9115700061	1	CONSOLE	
7	KT9116100061	1	FLAT STEEL	

EXTRA 835T / Part No Index



Part No.	Page	Pos No	Part No.	Page	Pos No	Part No.	Page	Pos No	Part No.	Page	Pos No
	19	11		21	18	KG01064161	24	8	KT10101000	5	48
	19	12		21	19	KG01064261	8	5	KT10105000	13	34
	19	13		21	3	KG01064261	25	3	KT1769300061	10	11
	19	2		21	4	KG01064461	1	15	KT1769300061	23	10
	19	3		21	5	KG01064461	1	21	KT26422000	1	11
	19	5		21	6	KG01064661	8	15	KT2844700061	4	15
	19	6		21	7	KG01072461	14	12	KT2995000061	6	24
	19	7		21	8	KG01094161	16	18	KT3130700061	3	49
	19	9		21	9	KG01108300	8	10	KT3349300061	6	25
	20	11	ACCESSOIRE	19	17	KG01109300	7	14	KT3626300061	4	14
	20	12	ACCESSOIRE	19	18	KG01109800	3	26	KT3817000061	23	6
	20	14	KD0300863	6	32	KG01110400	4	4	KT38218000	10	12
	20	15	KG00355761	8	22	KG01128700	2	8	KT3877520086	4	19
	20	17	KG00362561	1	12	KG01129300	3	16	KT3877610061	4	18
	20	19	KG00363161	1	17	KG01130300	3	24	KT3877810086	4	12
	20	2	KG00473861	3	45	KG01130900	13	17	KT3917400061	16	19
	20	20	KG00473961	13	27	KG01186000	10	8	KT42176000	25	11
	20	21	KG00474361	3	48	KG01192000	2	11	KT45429000	14	27
	20	23	KG00474361	24	6	KG01267461	3	50	KT45431000	14	28
	20	24	KG00476261	13	14	KG01267461	14	20	KT4837700061	8	7
	20	3	KG00476561	8	20	KG01267461	23	14	KT49143000	7	8
	20	5	KG00476561	9	5	KG01267461	24	7	KT5512200001	13	22
	20	6	KG00476561	25	4	KG01267561	8	23	KT5512300001	13	6
	20	7	KG00476961	25	2	KG01267561	10	6	KT5512400001	13	15
	20	8	KG00595400	14	25	KG01267561	18	9	KT5512500086	14	19
	21	10	KG00641461	23	15	KG01267561	23	22	KT5512600001	13	5
	21	11	KG00644961	16	15	KG01267561	25	1	KT5512710094	14	5
	21	12	KG00981961	23	1	KG01267761	1	16	KT5513120086	13	28
	21	13	KG01052661	2	1	KG01267761	1	20	KT5513600094	14	16
	21	14	KG01052661	3	1	KG01309000	4	28	KT5513700086	14	10
	21	15	KG01064161	3	35	KG01378900	8	11	KT5513800086	14	15
	21	16	KG01064161	8	19	KG01840800	13	18	KT5515300086	24	9
	21	17	KG01064161	23	19	KG01840900	13	36	KT5515400001	13	26

EXTRA 835T / Part No Index



Part No.	Page	Pos No	Part No.	Page	Pos No	Part No.	Page	Pos No	Part No.	Page	Pos No
KT5516200094	14	4	KT56227000	7	13	KT7048310094	23	9	KT9039900061	17	5
KT5516400086	24	14	KT5627100061	14	18	KT7048400094	23	7	KT9040100086	1	14
KT5516500086	24	13	KT5627100061	16	22	KT7048500094	23	20	KT9040200061	1	6
KT55166000	24	4	KT56783000	14	6	KT7048820094	23	13	KT9040300086	7	1
KT55167000	24	3	KT56784000	14	7	KT7049000061	23	5	KT9041120086	1	2
KT5521200086	13	1	KT56785000	14	8	KT79459000	7	15	KT9041210086	1	3
KT5524000086	24	5	KT5874000061	8	21	KT90186000	1	13	KT9041710086	3	19
KT5524100086	24	11	KT5882400061	8	16	KT90276000	11	2	KT9041810086	2	6
KT5524200086	24	12	KT6056800061	4	11	KT90278000	11	3	KT9041920061	3	39
KT55243000	15	1	KT6244500061	2	15	KT90278000	25	6	KT9042000086	3	41
KT55244000	15	3	KT6244500061	3	13	KT9030120086	11	1	KT9042200061	3	6
KT55245000	15	2	KT6245600001	8	12	KT9030800086	14	1	KT9042300061	3	7
KT55246000	14	21	KT6755820061	25	8	KT9031020061	14	3	KT9042410061	3	5
KT5524700086	14	13	KT67602000	6	21	KT9032500086	4	13	KT9042500061	3	23
KT55277000	24	1	KT6823110061	4	2	KT9033100086	4	1	KT9042600061	3	25
KT55278000	24	2	KT6827100061	10	10	KT9033200001	4	8	KT9042700061	3	42
KT5564210001	13	11	KT6828300001	9	3	KT9033300086	4	9	KT9042800061	3	10
KT5564400001	13	7	KT6828400001	9	2	KT9033400086	4	10	KT9042900061	3	8
KT5564610001	13	21	KT68312000	2	17	KT9033610094	16	9	KT9043010061	3	14
KT5564900061	13	2	KT68312000	3	32	KT9033710094	16	8	KT9043100061	2	2
KT5565000001	13	4	KT6865820094	14	11	KT9033800094	16	6	KT9043100061	3	2
KT55651000	13	3	KT6953600061	8	29	KT9033900094	16	7	KT9043220061	3	31
KT5567000001	9	4	KT69540000	8	27	KT9034000094	16	5	KT9044400094	16	14
KT5567000001	13	13	KT69708000	14	17	KT9034100094	16	4	KT9044900094	16	1
KT55705300	15	5	KT6975420094	16	20	KT9034400094	8	3	KT9045010094	16	2
KT55706100	15	4	KT6975520094	16	23	KT9034510061	8	14	KT9045200094	16	3
KT55710300	15	6	KT6977200094	16	21	KT9034700086	10	5	KT9046110086	10	3
KT5572910061	13	20	KT6989900094	23	2	KT9034800061	10	9	KT9046300061	10	7
KT5574900001	13	25	KT7028800001	25	5	KT9034910086	8	9	KT9046400061	10	4
KT5576600001	13	33	KT7047400094	23	4	KT9035200061	8	30	KT9046800061	2	13
KT5576700001	13	35	KT7047500094	23	3	KT9035710086	14	2	KT9046800061	3	20
KT56149000	14	26	KT7048100061	23	11	KT90360000	25	7	KT9046900061	8	17
KT5616500061	3	43	KT7048210094	23	8	KT9039700086	17	17	KT9047400086	8	2

EXTRA 835T / Part No Index



Part No.	Page	Pos No	Part No.	Page	Pos No	Part No.	Page	Pos No	Part No.	Page	Pos No
KT9047610086	10	2	KT9062800061	23	16	KT9075000061	4	23	KT9118600094	16	12
KT9048100061	2	5	KT9062900061	12	48	KT9075100061	4	16	KT9118700094	16	13
KT9048500061	3	12	KT9063000061	8	6	KT9078900061	8	24	KT9118900086	3	29
KT9048600061	2	7	KT9063200094	23	18	KT9079000061	8	4	KT9119300094	16	17
KT9049600094	8	1	KT9063800061	23	12	KT9081010094	8	28	KT9119400061	23	21
KT9050210061	3	22	KT9064520086	18	4	KT90817000	18	2	KT9119500094	16	16
KT9050300061	2	16	KT90646100	18	3	KT90818000	17	2	KT9125900061	3	46
KT9050300061	3	34	KT9064720094	18	1	KT90819000	17	1	KT9126000061	3	44
KT9050400061	2	12	KT9065800061	6	18	KT90820000	17	3	KT91261000	6	36
KT9050520086	3	18	KT90667000	6	1	KT9083600061	17	7	KT9127600061	8	18
KT9050620086	2	20	KT90669000	6	15	KT9085300097	8	26	KT99125012	4	6
KT9051210061	7	12	KT90670000	6	10	KT9085700061	17	6	KT99158065	2	14
KT9051310061	2	18	KT90671000	6	12	KT90859000	17	27	KT99158065	3	11
KT9051310061	3	36	KT90673000	6	6	KT9087600061	8	25	KT99158066	2	4
KT9051500061	3	40	KT90674000	6	8	KT9088100061	4	29	KT99158066	3	4
KT9052900086	1	7	KT90675100	6	9	KT9089300061	17	4	KT99158066	4	17
KT9053510061	8	13	KT90677000	7	10	KT9089800061	25	9	KT99158077	3	9
KT9053600061	8	8	KT90678000	7	4	KT9089900061	4	30	KT99158084	14	24
KT9054600086	1	5	KT9071210086	17	9	KT90906100	6	17	KT99158087	2	3
KT9055200086	1	4	KT9071300086	17	8	KT9093700086	1	24	KT99158087	3	3
KT9057600061	4	7	KT9071410061	18	7	KT9093800086	1	22	KT99158088	3	21
KT90579000	22	3	KT9071510061	17	11	KT9093900086	1	23	KT99158090	4	3
KT90580000	22	2	KT9071600061	17	12	KT9115700061	26	6	KT99158115	3	28
KT90582000	22	10	KT9071800061	17	26	KT9115800061	26	1	KT99160030	3	15
KT90583000	22	12	KT9071900061	17	10	KT9116000061	26	3	KT99160040	3	30
KT9060120086	17	13	KT9072010061	18	8	KT9116100061	26	7	KT99160045	2	9
KT9060220086	17	14	KT90721000	17	22	KT9116200061	26	4	KT99202435	9	1
KT9060300061	17	16	KT9072400064	3	37	KT9117600061	4	33	KT99202438	25	12
KT9060400061	17	15	KT9072500064	2	19	KT9117700061	4	32	KT99244472	19	8
KT9060500061	17	19	KT9074600086	4	24	KT9117800086	25	13	KT99244473	19	10
KT9060900061	17	18	KT9074700086	4	25	KT9118100086	10	1	KT99244474	20	9
KT90619100	17	20	KT9074810086	4	20	KT9118300061	16	11	KT99244475	19	1
KT9062710061	23	17	KT9074900061	4	27	KT9118400061	16	10	KT99244476	19	14

EXTRA 835T / Part No Index



Part No.	Page	Pos No	Part No.	Page	Pos No	Part No.	Page	Pos No	Part No.	Page	Pos No
KT99244477	19	15	KT99255113	5	17	KT99255139	5	825	KT99255168	12	820
KT99244478	20	13	KT99255114	5	18	KT99255139	12	813	KT99255169	12	822
KT99244479	21	2	KT99255115	5	19	KT99255140	5	826	KT99255170	12	823
KT99244480	19	4	KT99255115	12	36	KT99255140	12	814	KT99255171	12	824
KT99244481	20	22	KT99255116	5	20	KT99255141	5	827	KT99255172	12	834
KT99244481	21	1	KT99255116	12	35	KT99255142	5	828	KT99255173	12	840
KT99244485	4	21	KT99255117	5	21	KT99255142	12	833	KT99255174	12	841
KT99244495	20	1	KT99255118	5	29	KT99255143	5	829	KT99255175	12	842
KT99244496	20	10	KT99255119	5	30	KT99255143	12	832	KT99255229	5	47
KT99244497	20	25	KT99255120	5	32	KT99255144	5	830	KT99302819	13	32
KT99244498	4	22	KT99255120	12	40	KT99255144	12	830	KT99307775	6	4
KT99244498	20	4	KT99255121	5	33	KT99255145	5	831	KT99308824	14	9
KT99244499	20	16	KT99255122	5	34	KT99255147	12	1	KT99308826	14	14
KT99244501	20	18	KT99255122	12	41	KT99255148	12	5	KT99308828	24	10
KT99244506	12	47	KT99255123	5	35	KT99255149	12	6	KT99330483	3	33
KT99244511	14	22	KT99255123	12	31	KT99255150	12	7	KT99331901	4	26
KT99255001	5	49	KT99255124	5	36	KT99255151	12	8	KT99331901	17	25
KT99255003	12	46	KT99255125	5	38	KT99255152	12	9	KT99333832	3	47
KT99255100	5	1	KT99255126	5	39	KT99255153	12	10	KT99333833	4	31
KT99255101	5	2	KT99255127	5	42	KT99255154	12	11	KT99350531	3	27
KT99255102	5	3	KT99255128	5	44	KT99255155	12	20	KT99350537	4	5
KT99255103	5	4	KT99255129	5	46	KT99255156	12	23	KT99352040	19	16
KT99255104	5	5	KT99255129	12	45	KT99255157	12	26	KT99352040	20	26
KT99255105	5	6	KT99255131	5	806	KT99255158	12	27	KT99352042	7	6
KT99255106	5	7	KT99255132	5	807	KT99255159	12	28	KT99354122	13	23
KT99255107	5	11	KT99255133	5	808	KT99255160	12	30	KT99402112	6	16
KT99255107	12	21	KT99255134	5	809	KT99255161	12	37	KT99402113	6	3
KT99255108	5	12	KT99255135	5	810	KT99255162	12	38	KT99402114	6	13
KT99255108	12	22	KT99255136	5	822	KT99255163	12	75	KT99402352	7	9
KT99255109	5	13	KT99255137	5	823	KT99255164	12	76	KT99402904	6	14
KT99255110	5	14	KT99255137	12	810	KT99255165	12	800	KT99402914	6	29
KT99255111	5	15	KT99255138	5	824	KT99255166	12	802	KT99402921	6	19
KT99255112	5	16	KT99255138	12	812	KT99255167	12	803	KT99402922	6	28



EXTRA 835T / Part No Index

Part No.	Page	Pos No	Part No.	Page	Pos No
KT99402927	6	34	KT99452075	25	10
KT99402941	6	23	KT99452096	17	24
KT99403015	6	7	KT99457134	13	9
KT99403204	6	35	KT99457135	13	10
KT99403211	6	11	KT99458109	13	31
KT99403220	7	3	KT99458238	18	5
KT99403221	7	5	KT99458244	3	38
KT99404018	6	30	KT99458332	22	5
KT99404242	6	2	KT99458380	26	2
KT99407008	7	11	KT99458381	26	5
KT99407410	6	20	KT99462633	13	29
KT99407540	6	31	KT99462718	13	30
KT99407541	6	33	KT99474330	22	11
KT99408914	6	5	KT99474335	22	6
KT99408934	6	26	KT99474336	22	7
KT99408943	6	27	KT99477136	22	13
KT99413144	7	2	KT99477137	22	9
KT99413149	3	17	KT99477138	22	8
KT99413150	2	10	KT99478196	22	1
KT99417025	14	23	KT99478389	22	4
KT99420109	13	19	VF06564448	17	21
KT99420125	13	12	VGLF225	17	23
KT99420238	13	8	VGLF226	17	28
KT99420286	13	24			
KT99421068	13	16			
KT99428514	7	7			
KT99428522	6	22			
KT99432066	1	9			
KT99432375	1	10			
KT99434056	1	8			
KT99434601	1	1			
KT99434602	1	18			
KT99434603	1	19			



EXTRA 835T

404.223 < Mach. ID <=

Kverneland Group Kerteminde AS
Taarupstrandvej 25
DK-5300 Kerteminde
Denmark
+45 65 19 19 00
+45 65 19 19 99

© Kverneland Group

All rights reserved. No parts of this book may be reproduced, stored in a database or retrieval system, or published in any form or in any way, electronically, mechanically, optically, by print, photo print, microfilm (including micro and macro fiche), or any other means, including all video and CD systems, without prior written permission from the publisher.

Print date: 2008-02-25

