

SB 2006

Spare parts manual

Article number: 70009849

Production year: 2006

Effective: 1001 ≥Mach ID

Prod. Series nr: 27442



AANHAALMOMENTEN/TORQUES/ANZUGSMOMENTE/COUPLES DE SERRAGE/PARES DE APRIETE/I MOMENTI TORCENTI/ATDRAGNINGSMOMENT/MOMENTER/TILTREKKINGSMOMENTER

- NL** Richtlijnen voor aanhaalmomenten (in Nm) voor zelfborgende moeren, zeskantbouten en moeren. **GB** Directives for torques (in Nm) for self-locking nuts, hexagonal bolts and nuts.
D Richtlinien für Anzugsmomente (in Nm) für selbstsichernde Muttern, Sechskantschrauben und Muttern. **F** Directives relatives aux couples de serrage (en Nm) pour les écrous à auto-blocage, les boulons à six et les écrous.
ES Directrices para los pares de apriete (en Nm) para tuercas autoblocantes, tornillos hexagonales y tuercas. **I** Linee guida riguardanti i momenti torcenti (espressi in Nm) per dadi autobloccanti, bulloni esagonali e dadi.
S Riktlinjer för åtdragningsmoment (i Nm) för självåsande bultar, sexkantbultar och muttrar. **DK** Retningslinjer for momenter (i Nm) for selvåsende møtrikker, hexagon bolte og møtrikker.
N Retningslinjer for tiltrækningsmomenter (i Nm) for selvåsende møtr. sekskantskruer og mutre.

KWALITEIT/QUALITY/QUALITAT QUALITÉ/CALIDAD/QUALITA/KVALITET	4.6		8.8		10.9		12.9
	0,10	0,13	0,10	0,13	0,10	0,13	
Wrijving/Friction/Reibung/Frottement/ Fricción/Frizione/Friktion/Friksjon *							
Schroefdraad/Thread/Gewinde/Filetage Rosca/Filettatura/Gånga/Størrelse/ Gjenger							
M5	1,7	2	5	6	7	9	10
M6	3	4	9	10	13	15	18
M8	8	9	21	25	31	36	42
M10	16	19	40	50	60	70	85
M12	27	32	70	85	105	120	145
M14	42	50	115	135	165	195	230
M16	65	76	175	210	260	300	350
M18	90	110	250	290	350	420	490
M20	125	150	350	420	500	600	700
M22	170	200	470	560	670	800	930
M24	210	250	600	710	860	1020	1180

* **NL** De wrijvingscoëfficiënt van 0,10 geldt voor geoliede plaat, gietijzer, geharde vlakken, vette schroefdraad, etc. De hogere waarde van 0,13 geldt voor een droge plaat. Uitzonderingen op deze tabel zijn vermeld in het onderdeel- en/of instructieboek. Aanhaalmomenten voor bouten en moeren met gekarteide onderkant, zoals Tensilock en Whizlock, 10% extra.

* **GB** The friction coefficient of 0,10 applies to oiled sheet, cast iron, hardened surfaces, greasy thread, etc. The higher value of 0,13 applies to dry sheet. Exceptions to this table are stated in the parts- and /or instruction manual. Torques for bolts and nuts with a knurled underside, like Tensilock and Whizlock, 10% extra.

* **D** Der Reibungskoeffizient von 0,10 gilt für geölte Flächen, Gußeisen, gehärtete Flächen, gefettetes Gewinde usw. Der höhere Wert von 0,13 gilt für trockene Flächen. Ausnahmen zu dieser Tabelle sind im Ersatzteilhft und/oder in der Betriebsanleitung. Anzugsmomente für Schrauben und Muttern mit gerändelter Unterseite, wie Tensilock und Whizlock, zuzüglich 10% extra.

* **F** Le coefficient de frottement de 0,10 s'applique aux surfaces huilées, à la fonte, aux surfaces trempées, aux filetages graissés etc. Le coefficient de 0,13 aux surfaces sèches. Les exceptions à se tableau sont mentionnées dans la nomenclature des pièces et/ou dans le manuel d'emploi. Ajoutez 10% pour les boulons et écrous à partie inférieure crénelée, comme les Tensilock et les Whizlock.

* **ES** El coeficiente de fricción de 0,10 es indicado para planchas lubricadas, hierro fundido, superficies endurecidas, rosca graziata, etc. El valor más alto de 0,13 es para planchas secas. Las excepciones a este cuadro se mencionan en el libro de repuestos y/o manual de instrucciones. Los pares de apriete para tornillos y tuercas con cara inferior dentada, como los Tensilock y Whizlock, 10% extra.

* **I** Il coefficiente di frizione pari a 0,10 si riferisce a superfici oliate, alla ghisa, a superfici temprate, a filettature spesse ecc. Il valore più alto, pari a 0,13, si riferisce a superfici asciutte. Tutte le eccezioni a quanto riportato in questa tabella, si trovano nel libretto delle istruzioni. I momenti torcenti per bulloni e dadi la cui parte inferiore è zigrinata, come i Tensilock (K 100) e Whizlock, sono superiori del 10%.

* **S** Friktionskoefficienten 0,10 gäller oljad plåt, gjutjärn, hårdade ytor, smorda gängor etc. Det högre värdet 0,13 gäller torr plåt. Undantag från denna tabell anges i reservdels- och/eller instruktionsboken.

* **DK** Åtdragningsmoment for råfflade bultar och muttrar, som Tensilock og Whizlock 10% extra.
 Friktionskoefficienten på 0,10 gælder for smurte flader, støbejern, hærdede overflader, fedtholdige gevind etc. Den højere værdi på 0,13 gælder for tørre flader. Undtagelser til tabellen er angivet i reservdels- og/eller instruktionsbog. Når det drejer sig om momenter for bolte og møtrikker med en riflet underside, som Tensilock (K100) og Whizlock, skal der tilføjes 10% ekstra.

* **N** Friksjonskoeffisienten på 0,10 gjelder for smurt plate, støpejern, herdede flater, innfettete gjenger etc. Den høyere verdien på 0,13 gjelder for tørr plate. Unntak fra denne tabellen er angitt i deleboken og/eller i instruksjonsboken. Tiltrekkningsmomenter for skruer og mutre med riflet underkant, som Tensilock (K100) og Whizlock 10% tillegg.

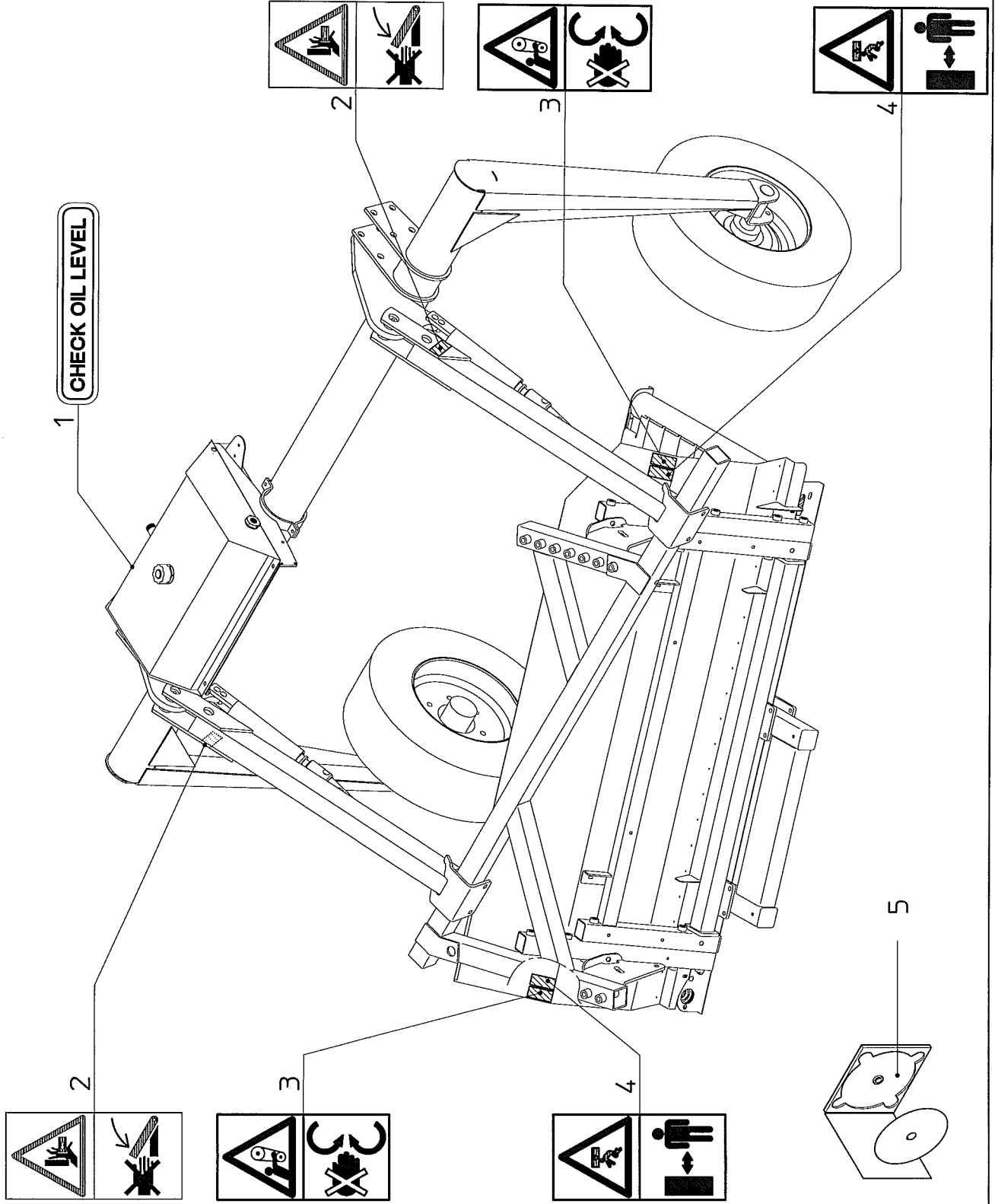
serial number 27394A-27442

C16

SB2006

bestellnummer
order number
num. o commander
Bestellnummer

1	VNB1612474	1
2	VGTR2059	2
3	VGTR2047	2
4	VGTR2015	2
5	VNB2822600	1

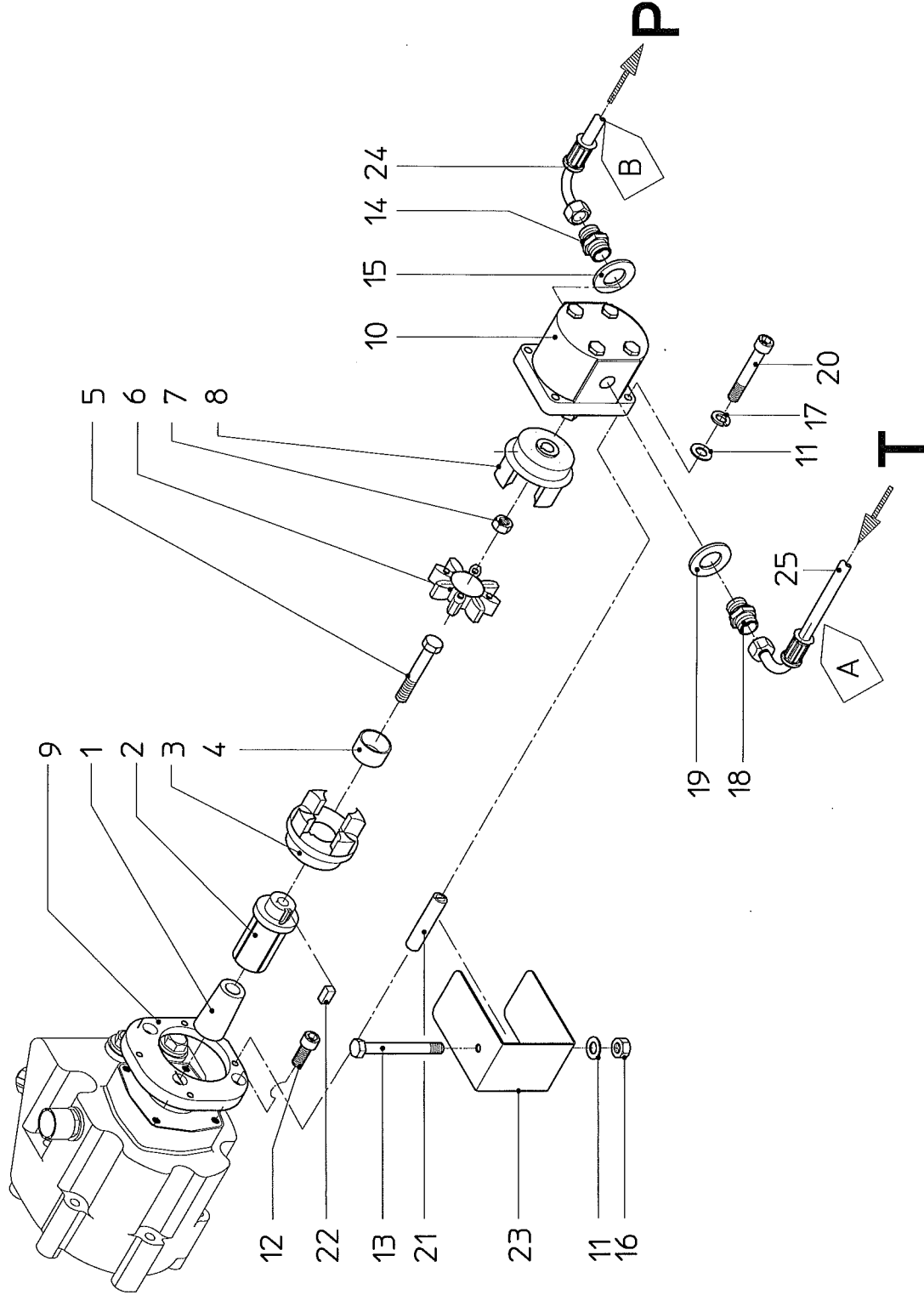


serial number 27442

I.1

SB2006

VN79302170X



bestellnummer
ordernumber
num. o commander
Bestellnummer

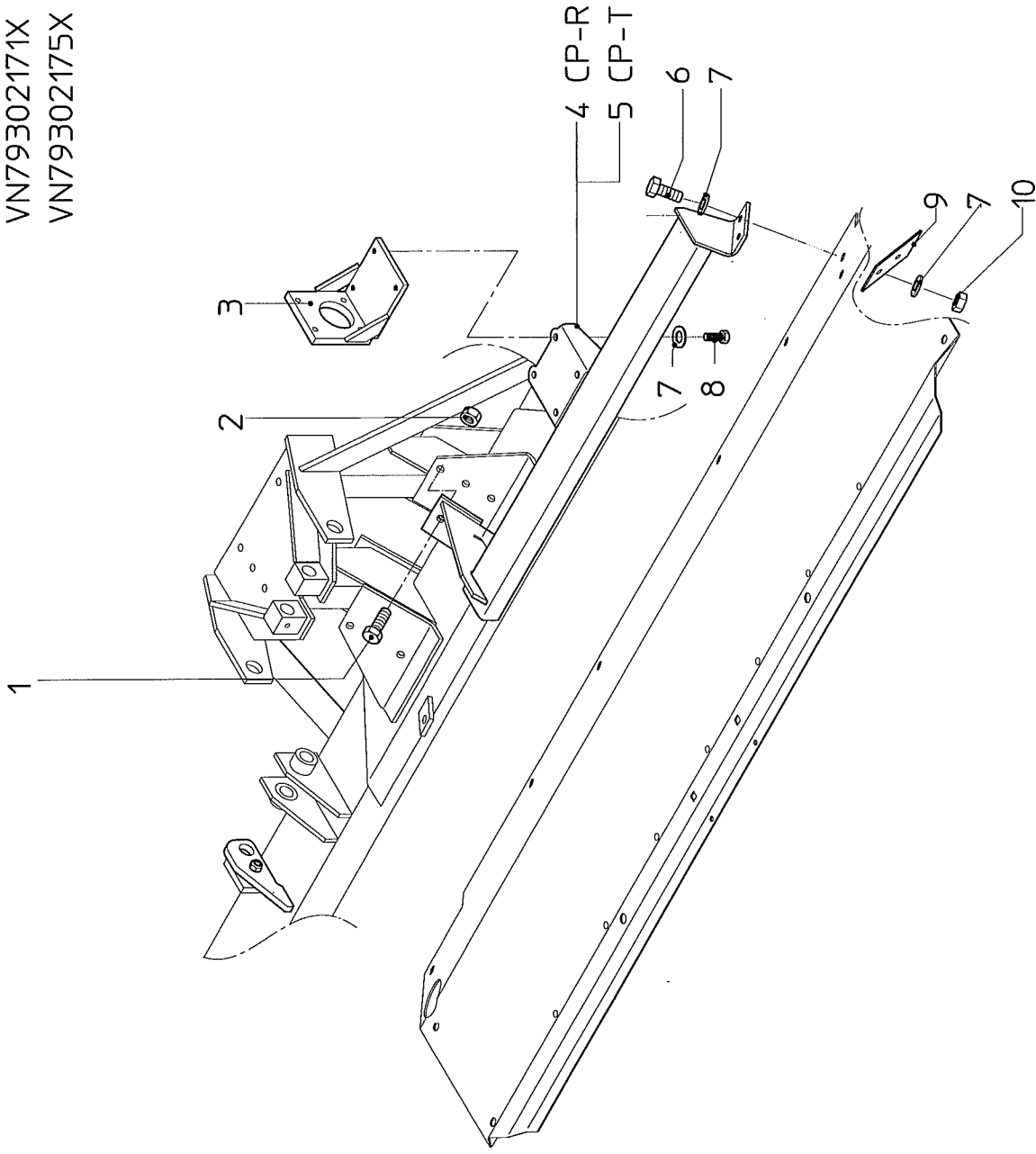
1	VN79302170X1	
2	VNB2686593	1
3	VNB2686693	1
4	VNB2931986	1
5	VNB2932693	1
6	KG00358261	1
7	VNB2932778	1
8	VN30571201	1
9	VNB2837986	1
10	VNB2686493	1
11	VNB2933878	1
12	KG01267361	5
13	VN30361825	4
14	KG00354361	1
15	VN38820149	1
16	VN36510050	1
17	KG01067561	1
18	VN31467800	4
19	VN38820241	1
20	VN36510051	1
21	VN30361811	4
22	VNB2686393	4
23	VNB2687302	1
24	VNB2886986	1

24	VNB3616178	1	1/2"-l=1800	[B]
25	VNB3662078	1	3/4"-l=1580	[A]

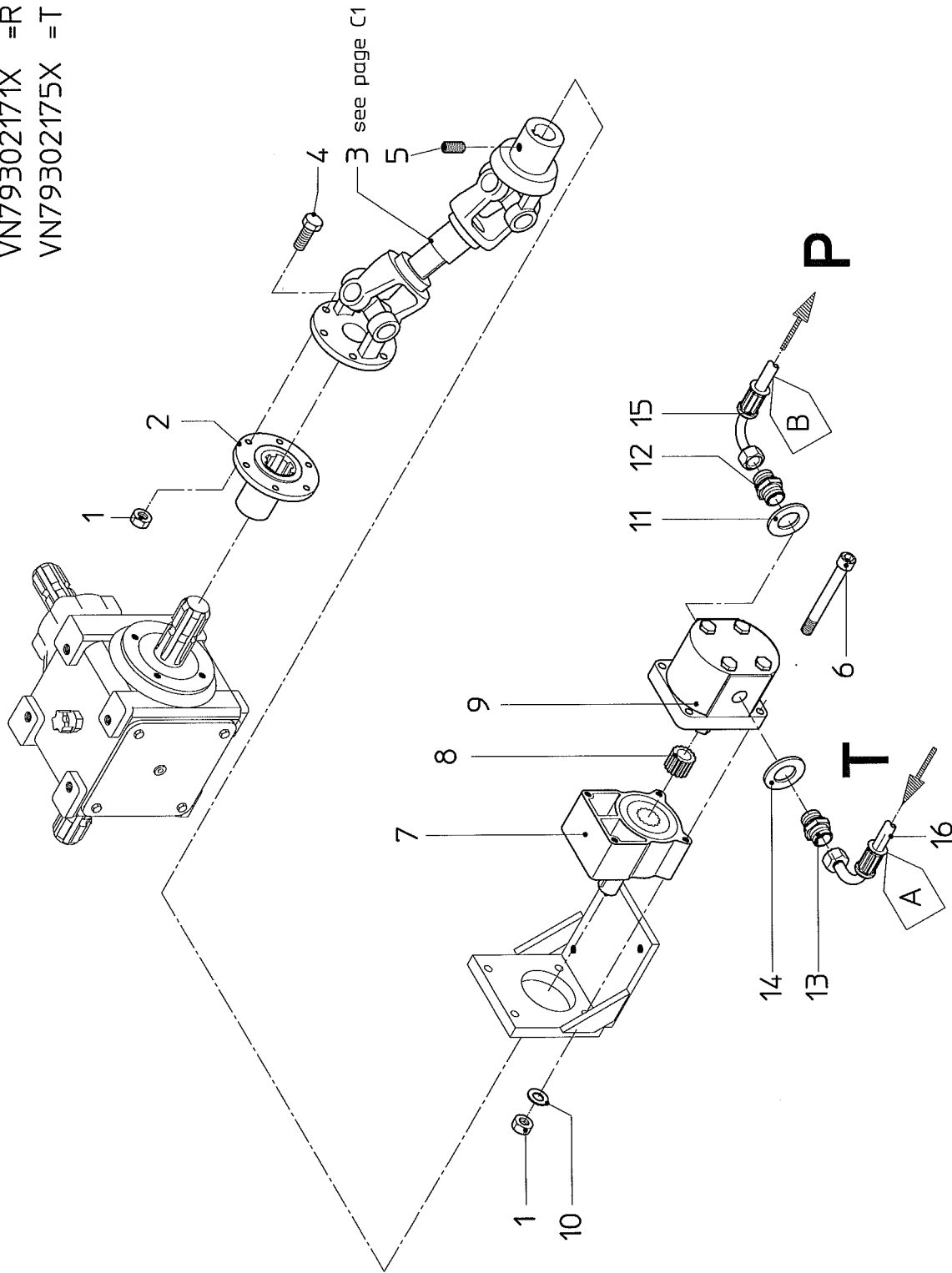
VN79302171X = R
 VN79302175X = T

bestellnummer
 ordernummer
 num. a commander
 Bestellnummer

1	KG00357561	2	8.8-M12x50	VN79302171X
2	KG01067761	2	8/M12/Nylac	VN79302175X
3	VNB2160986	1		
4	VNB2933586	1	CP-R	
5	VNB3331286	1	CP-T	
6	KG00474461	2	8.8-M10x35	
7	KG01267461	8	10,5	
8	KG00474061	4	8.8-M10x20	
9	VNB2189586	1		
10	KG01067661	2	8/M10/Nylac	



VN79302171X =R
 VN79302175X =T



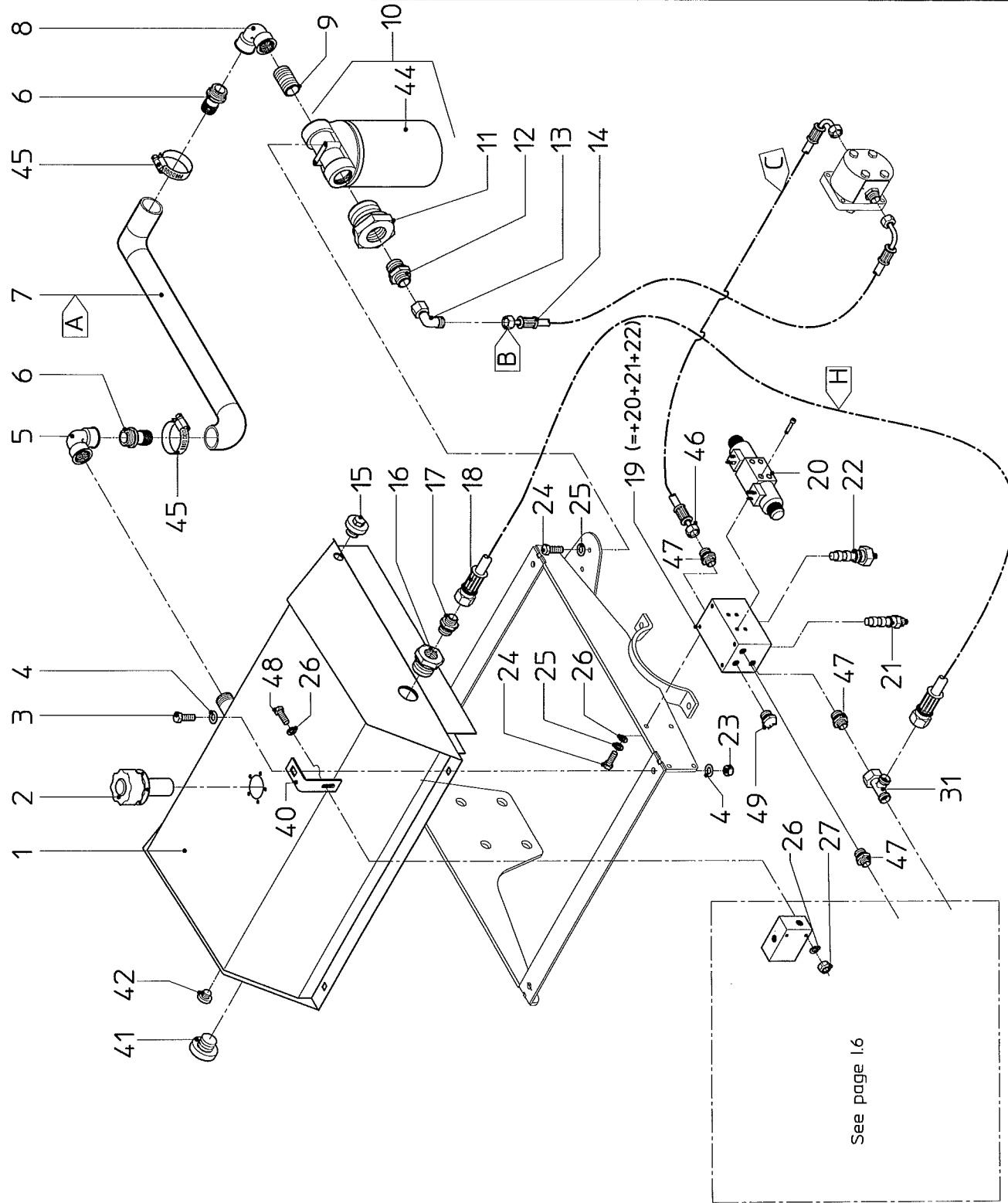
bestellnummer
 ordernummer
 num. a commander
 Bestellnummer

VN79302171X	1		
VN79302175X	1		
1	KG01067561	10	8/M8/Nyloc
2	VNB2933978	1	
3	VN46120081	1	
4	KG00472261	6	8.8-M8x30
5	KG00936500	1	14.9-M10x12
6	VN30361801	4	12.9-M8x100
7	VNB2249778	1	
8	VNB2424993	1	
9	VNB2933878	1	8.4
10	KG01267361	4	
11	VN36510050	1	Multiseal 1/2"
12	VN38820149	1	S-GEV-15LR
13	VN38820241	1	AL22-R3/4"
14	VN36510051	1	Multiseal 3/4"
15	VNB3616178	1	1/2"-L=1800 [B]
16	VNB3662078	1	3/4"-L=1580 [A]

serial number 27442

I.5

SB2006



bestelnummer ordernumber num. a commander Bestelnummer			
1	KT68638300V1		
2	KT99408945	1	8.8-M10x30
3	KG00474361	4	10,5
4	KG01267461	8	1" F(2x)
5	VN38608508	1	1" Mx1
6	VN38604002	2	1" - l=300 [A]
7	VNB3617078	1	
8	KT99440227	1	
9	KT99440524	1	
10	KT99408961	1	
11	VN38820249	1	RIR 5/4"x3/4"
12	VN38820241	1	AL22-R3/4"
13	VN38608050	1	EEL22-R3/4"
14	VNB3662078	1	3/4" l=1580 [B]
15	KT99458105	1	1/2"
16	VN38820250	1	RIR 1"x1/2"
17	VN38820149	1	S-GEV15LR
18	VNB3616878	1	1/2" l=650 [H]
19	KT99407183	1	
20	KT99407187	1	
21	KT99407186	1	
22	KT99407184	1	
23	KG01067661	4	8/M10/Nyloc
24	KG00471961	6	8.8-M8x20
25	VN31467800	6	A8
26	KG01267361	6	8,4
27	KG01067561	1	8/M8/Nyloc
31	VN38614015	1	S-ELV15L
40	VNB3663386	1	
41	KT99458108	1	1"
42	KT99458103	1	1/4"
44	KT99408962	1	
45	VN38830301	2	27-51
46	VNB3616178	1	1/2" l=1800 [C]
47	VN38820166	3	
48	KG00353461	1	8.8-M10x50
49	KG01027761	1	G3/8"

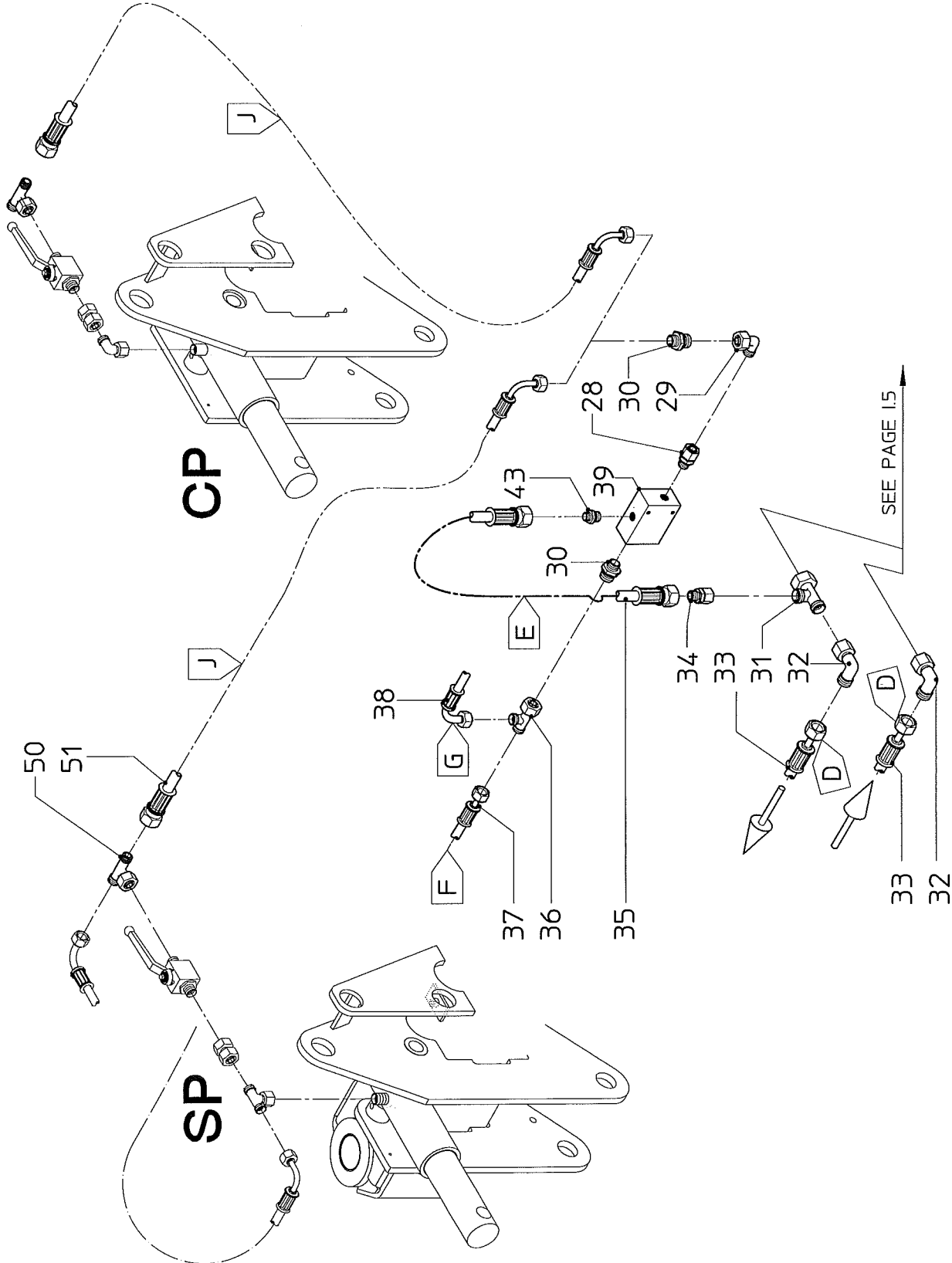
serial number 27442

I.6

SB2006

bestellnummer
 ordernummer
 num. a commander
 Bestellnummer

28	VN38601100	1	RAL 12R
29	VN38608027	1	EEL12-Ohne
30	VN38820159	2	AL12-R3/8"
31	VN38614015	2	S-ELV15L
32	VN38608038	2	S-EWV15L-SV
33	VNB3330878	2	1/2" l=3790 [D]
34	VN38820201	1	S-REDV15/8L
35	VNB3616678	1	1/4" l=300 [E]
36	VN38614012	1	LEL12 Ohne
37	VNB3616778	1	3/8" l=650 [F]
38	VNB3616978	1	3/8" l=1300 [G]
39	KT99407182	1	AL8-R1/4"
43	VN38820161	1	S-ETV-12L
50	VN38612804	1	
51	VNB3904378	1	3/8" l=2350 [J]

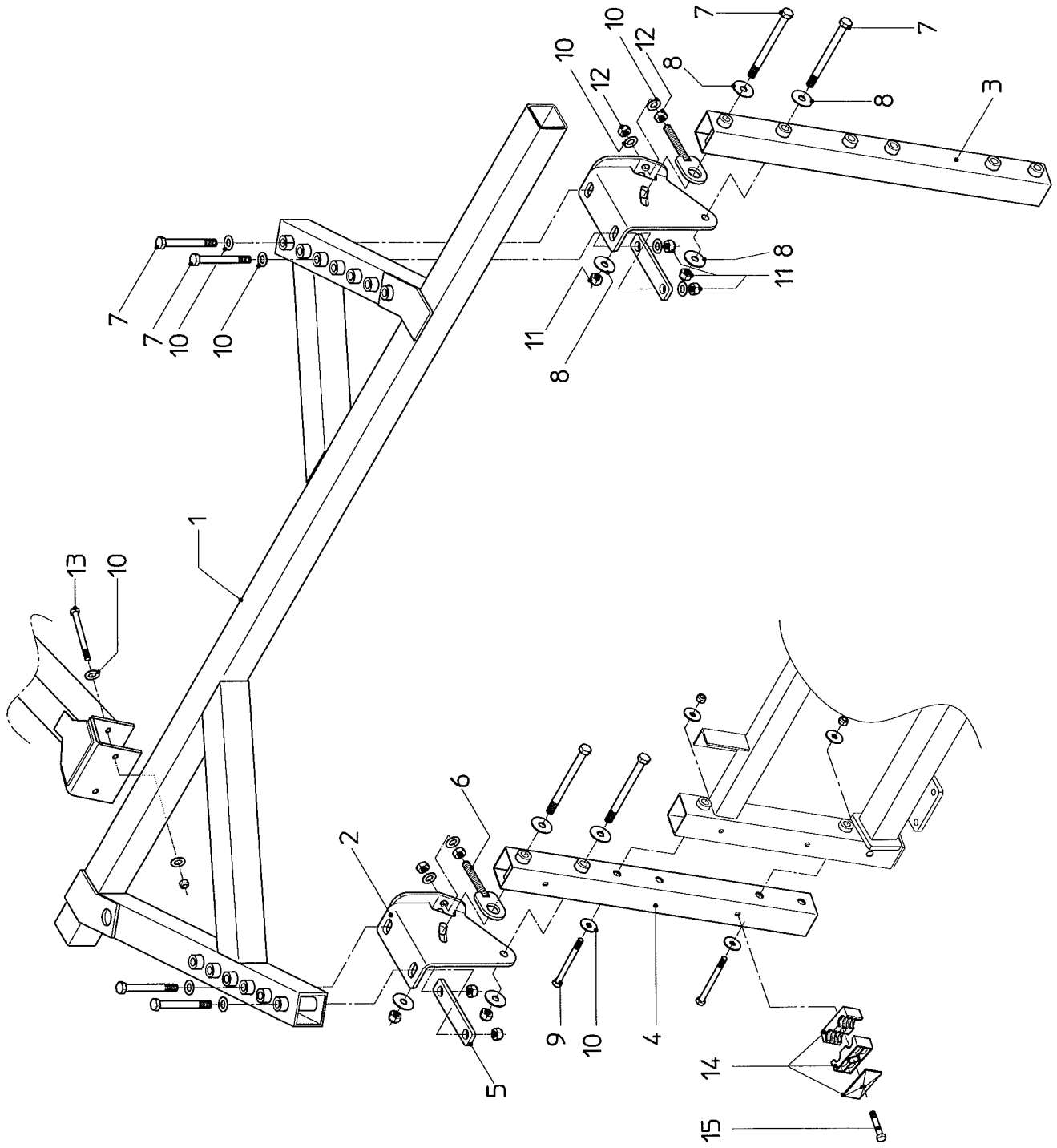


SEE PAGE I.5

serial number 27442

I.7

SB2006



bestellnummer
ordernummer
num. o commander
Bestellnummer

1	VNB2840686	1	8.8-M16x140
2	VNB2702686	2	A17
3	VNB2839986	1	8.8-M16x200
4	VNB2839886	1	17
5	VNB3006086	2	8/M16/Nyloc
6	VNB2702593	2	8/M16
7	KG00363161	8	8.8-M16x120
8	KG01261761	16	ø20(2x)
9	KG00363761	4	8.8-M8x45
10	KG01267761	24	
11	KG01067961	16	
12	KG01052361	4	
13	KG00362961	4	
14	VN31903220	2	
15	KG00353361	2	

serial number 27442

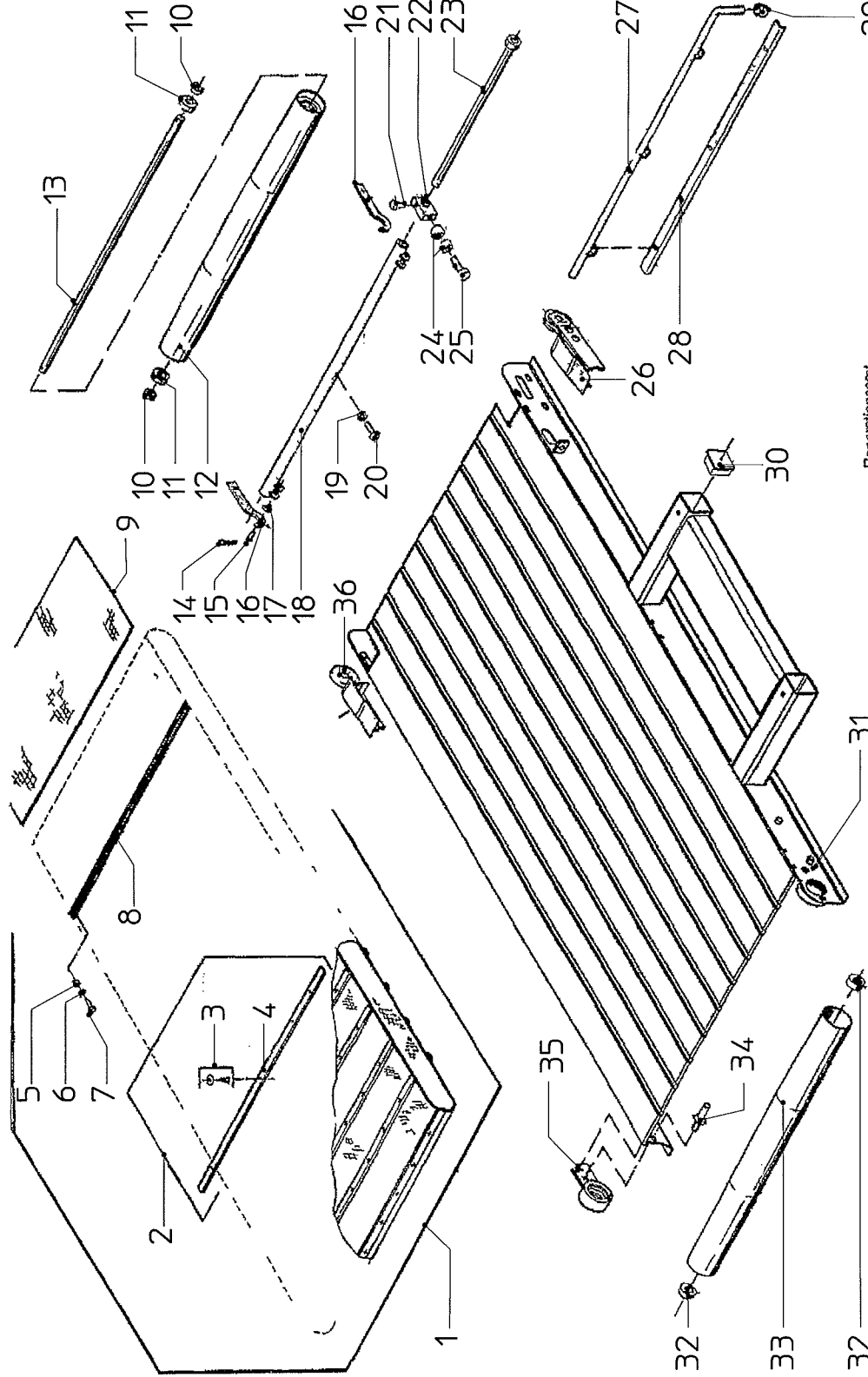
I.8

SB2006

KT69625100X

bestellnummer
ordernumber
num. a commander
Bestellnummer

1	KT69625100X	1	
2	KT39841200	1	
3	KT39391000	X	
4	KT99338040	128	
5	KT39392000	16	
6	KT99307850	11	M5
7	KG01285861	22	8.8-M5x35
8	KG00350061	11	
9	KT39843000	2	
10	KT39791000	1	
11	KT39818000	2	
12	KG01377800	2	6204-2RS
13	KT39822100	1	
14	KT39889000	1	
15	KG01249661	4	3.2x16
16	KT39831000	2	
17	KT39830000V	2	
18	KG01267361	2	8.4
19	KT39829000V	1	
20	KG01064061	1	M8/Nyloc
21	KG00353261	1	8.8-M8x40
22	KG00474461	1	8.8-M10x35
23	KT39827100	1	
24	KT39828000	1	
25	KT99307864	2	
26	KG00477161	1	8.8-M12x60
27	KT39826300V	1	
28	KT39107000V	2	
29	KT39109000V	2	
30	KT99458594	2	
31	KT99458588	2	
32	KT69961000	1	
33	KG01359300	2	6009-2RS
34	KT39513000	1	
35	KT39108000	1	
36	KT39515000V	1	
37	KT39825300V	1	
37	KT39790000	1	



Reparationsset
Kit for modification
Reparatursatz

37 = 5+6+7+8+9

serial number 27442

I.9

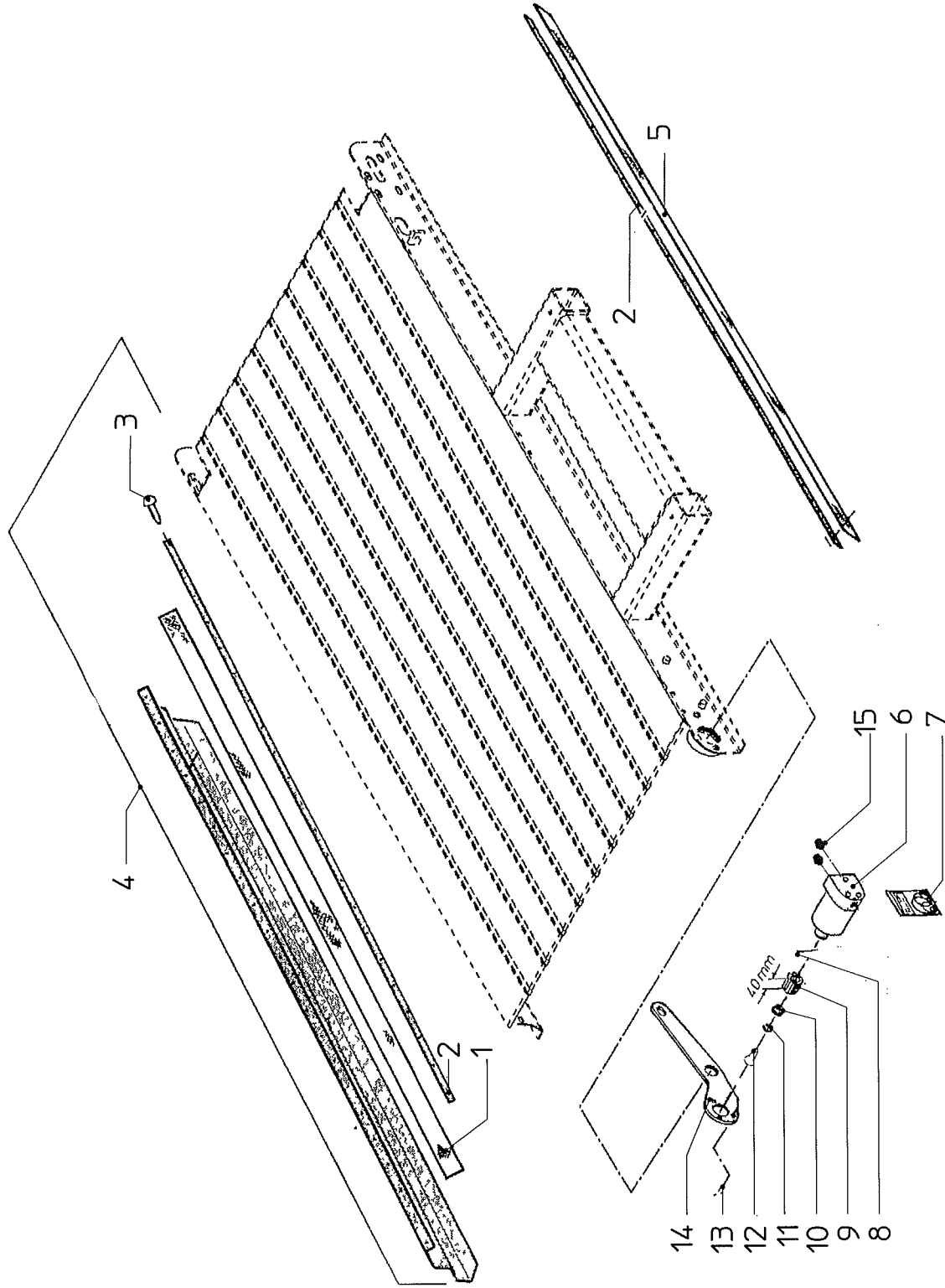
SB2006

KT69625100X

bestellnummer
ordernumber
num. a commander
Bestellnummer

1	KT69625100X	1
2	KT39376000	1
3	KT39377000V	2
4	KT99338020	22
5	KT39838300V	1
6	KT70140000	1
7	KT99408062	1
8	KT99408065	1
9	KT99354001	1
10	KT39523000	1
11	KT39816000	1
12	KG01281561	1
13	KG00469161	1
14	KT99308815	1
15	KT39524000V	3
	KT99402114	2

6.3
8.8-M6X25



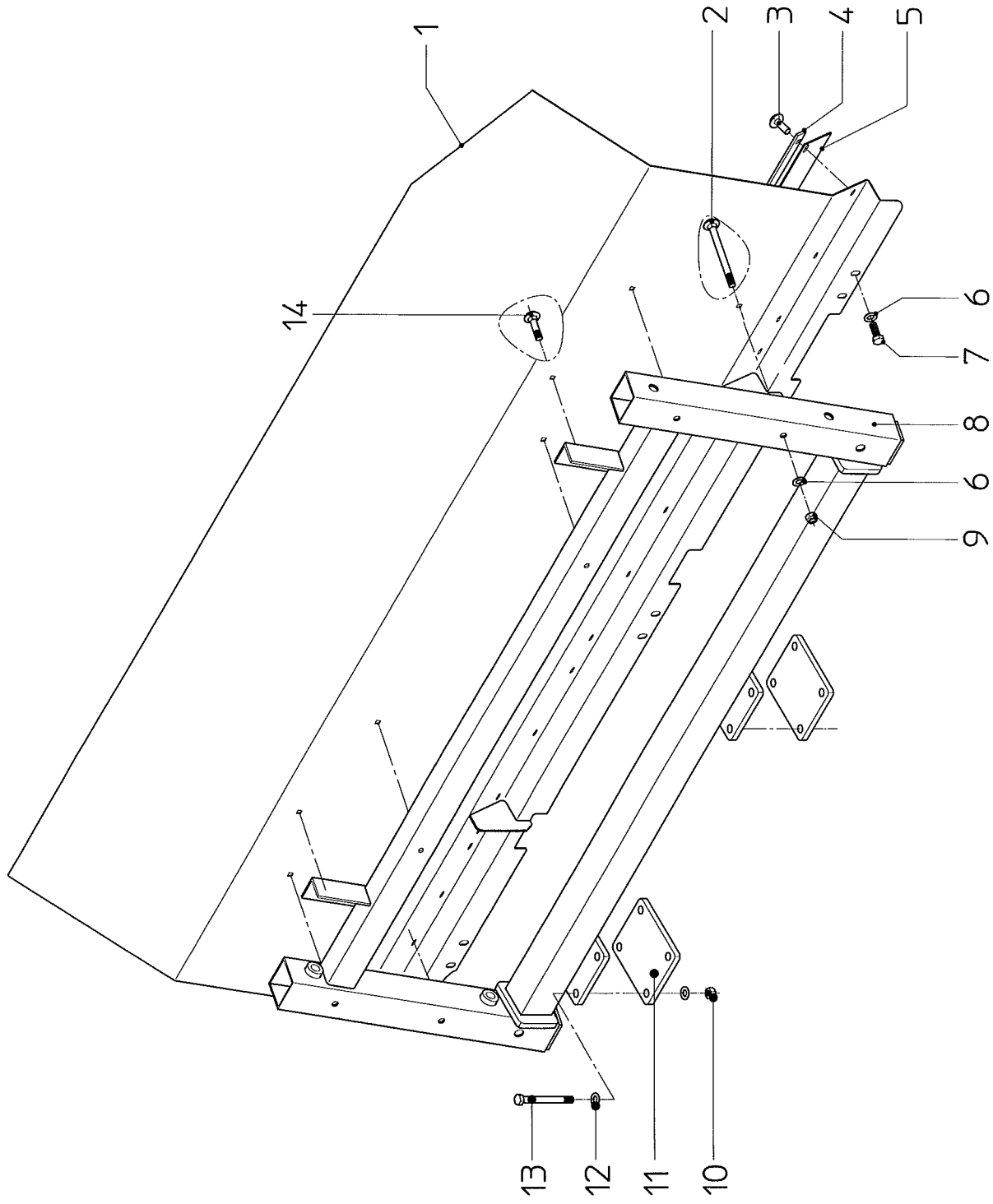
serial number 27442

I10

SB2006

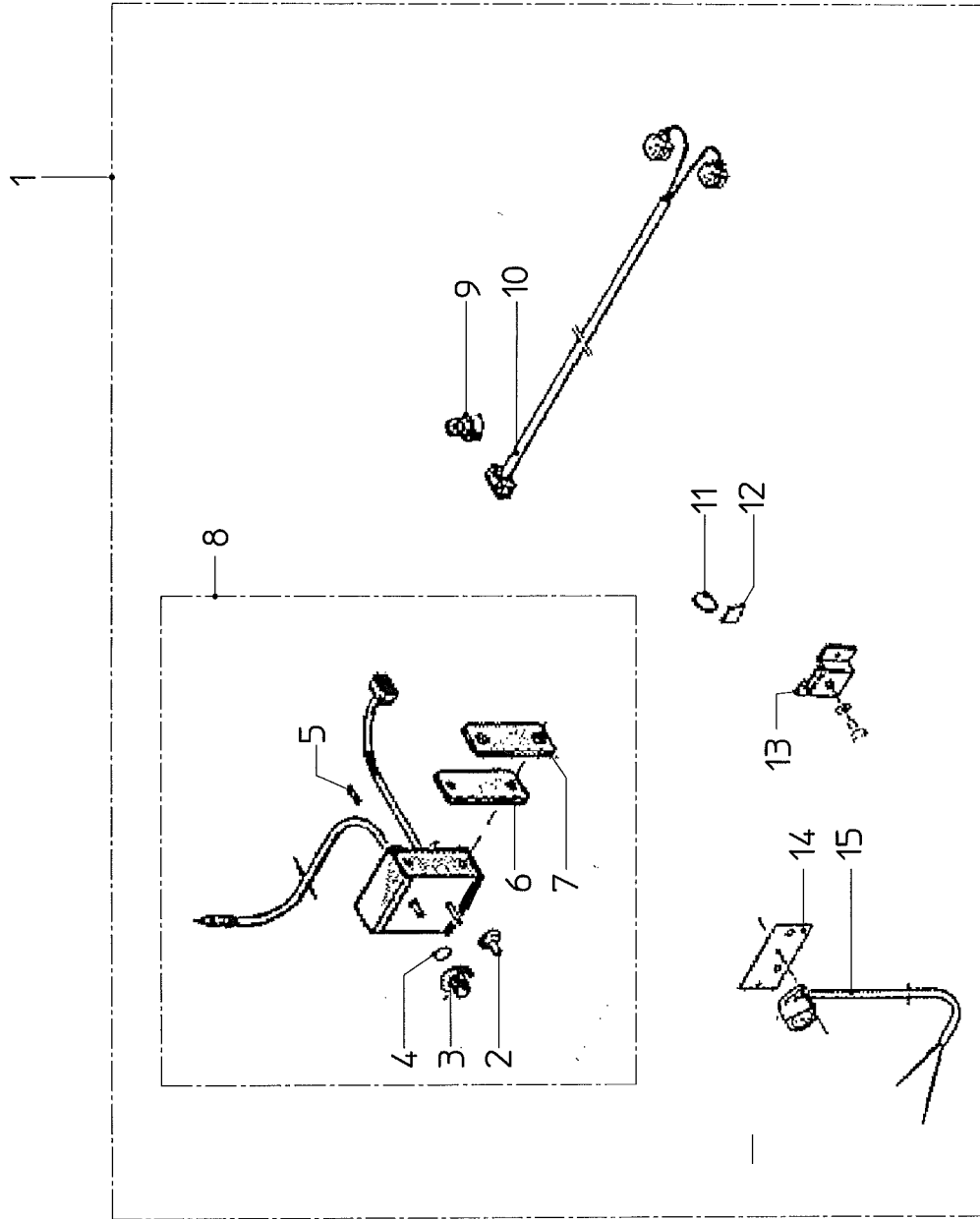
bestelnummer
ordernumber
num. a commander
Bestelnummer

1	VNB3262886	1	
2	VN30454890	6	8.8-M8x90
3	KT99338020	22	
4	KT39377000V	1	
5	KT39376000	1	8,4
6	KG01267361	14	8.8-M8x25
7	KG00472161	6	
8	VNB2990886	1	
9	KG01067561	8	8/M8/Nylac
10	KG01067761	8	8/M12/Nylac
11	VNB2990486	2	
12	KG01267561	16	13
13	KG00358661	8	8.8-M12x130
14	KG00639161	2	8.8-M8x25



bestellnummer
ordernummer
num. a commander
Bestellnummer

1	KT69898000V1	1
2	KT99478377	1
3	KT99478366	1
4	KT99420211	1
5	KT99477119	1
6	KT47266000	2
7	KT47267000	2
8	KT69879000	1
9	KT99478317	1
10	KT68693000	1
11	KT99478389	1
12	KT99478395	7
13	KT59888000	1
14	KT39994100	1
15	KT39154000	1

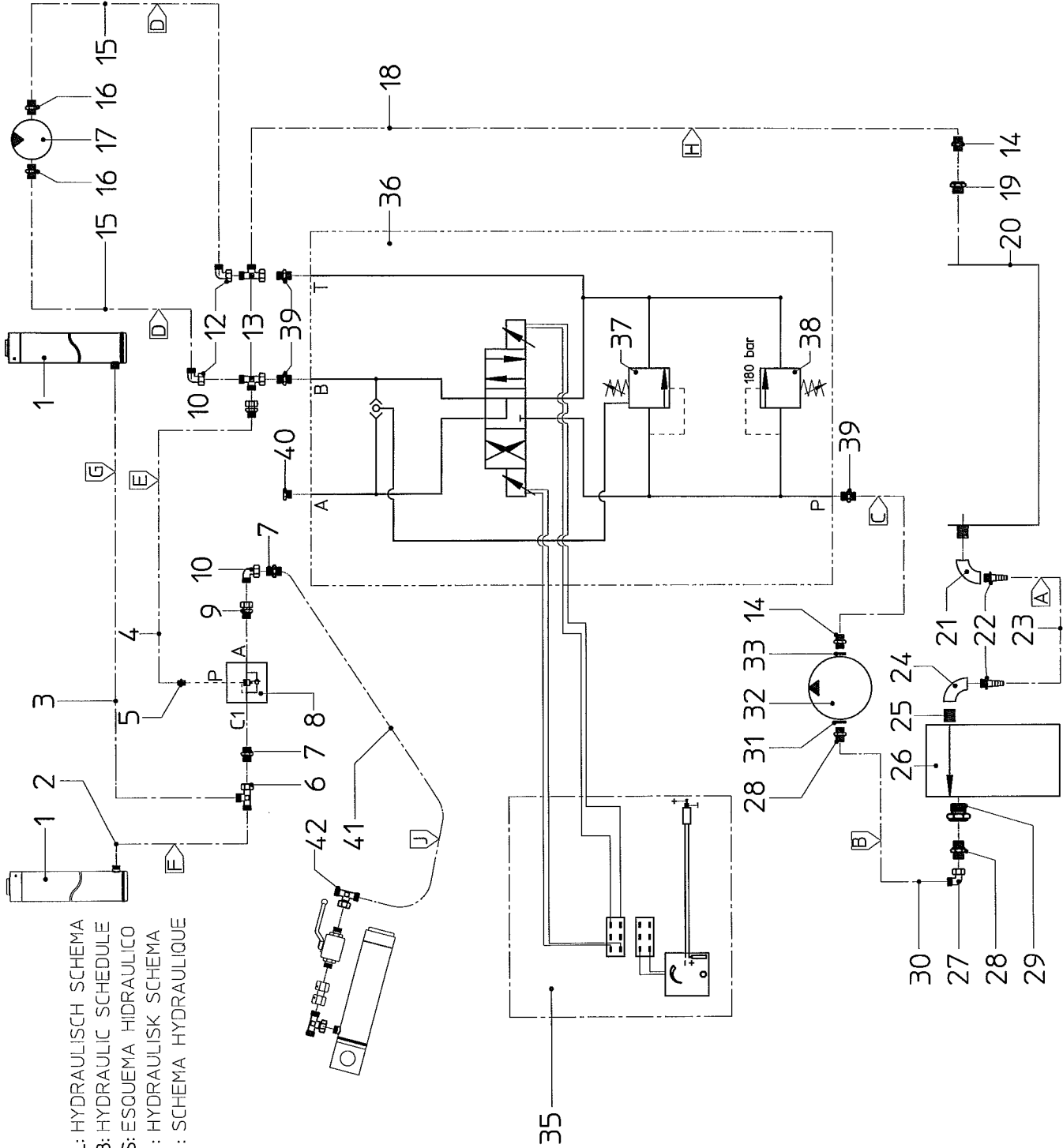


serial number 27442

I12

SB2006

NL: HYDRAULISCH SCHEMA
 GB: HYDRAULIC SCHEDULE
 ES: ESQUEMA HIDRAULICO
 S : HYDRAULISK SCHEMA
 F : SCHEMA HYDRAULIQUE



1	2	3	4	5	6	7	8	9	10	11	12	13	14	15	16	17	18	19	20	21	22	23	24	25	26	27	28	29	30	31	32	33	34	35	36	37	38	39	40	41	42
VNB2834778	VNB3616778	VNB3616978	VNB3616678	VN38820161	VN38614012	VN38820167	KT99407182	VN38601100	VN38608027	VN38820148	VN38608038	VN38614015	VN38820149	VN3330878	KT99402114	KT99408062	VNB3616878	VN38820250	KT68638300V	VN38608508	VN38604002	VNB3617078	KT99440227	KT99440524	KT99408961	VN38608050	VN38820241	VN38820249	VNB3662078	VN36510051	VNB2933878	VN36510050	VNB3616178	KT99408183V	KT99407183	KT99407184	KT99407186	VN38820166	KG01027761	VNB3904378	VN38612804
3/8" l=650 [F]	3/8" l=1300 [G]	1/4" l=300 [E]	AL8-R1/4"	LEL12-Ohne	AL12-R3/8"	DL12 Ohne	RAL12R	EEL12-Ohne	S-REDV15/12/L	S-EWV15L-SV	S-ELV15L	S-GEV15LR	1/2" l=3790 [D]		1/2" l= 650 [H]	RIR 1"x1/2"		1F(2x)	1"MX1"	1" l=330 [A]					EEL22-R3/4"	AL22-R3/4"	RIR 5/4"x3/4"	3/4" l=1580 [B]	Multiseal 3/4"	Multiseal 1/2"	1/2" l=1800 [C]						G3/8"	3/8" l=2350 [J]	S-ETV-12L		

serial number 27442

H3

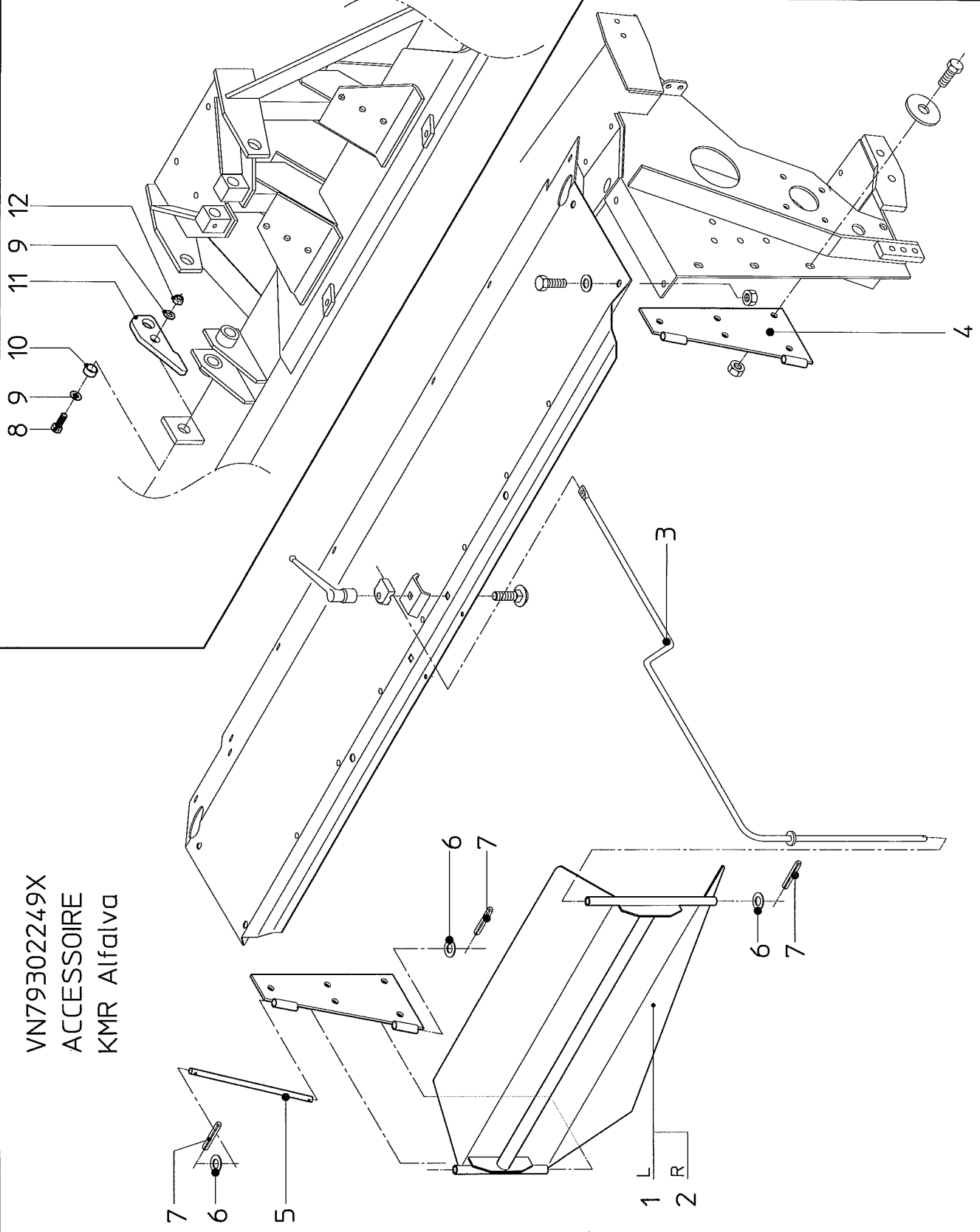
SB2006

VN79302249X
ACCESSOIRE
KMR Alfalva

bestelnummer
ordernummer
num. a commander
Bestelnummer

VN79302249X	
1	VNB2926986 1 L
2	VNB2927086 1 R
3	VNB2936186 2
4	VNB2929086 2
5	VNB2928993 2
6	KG01267561 12 13
7	VN30853426 6 4x26

8	KG00483661 1 8.8-M20x50
9	KG01267961 2 21
10	VNB2206693 1
11	VNB2686786 1
12	KG01068161 1 8/M20/Nylac

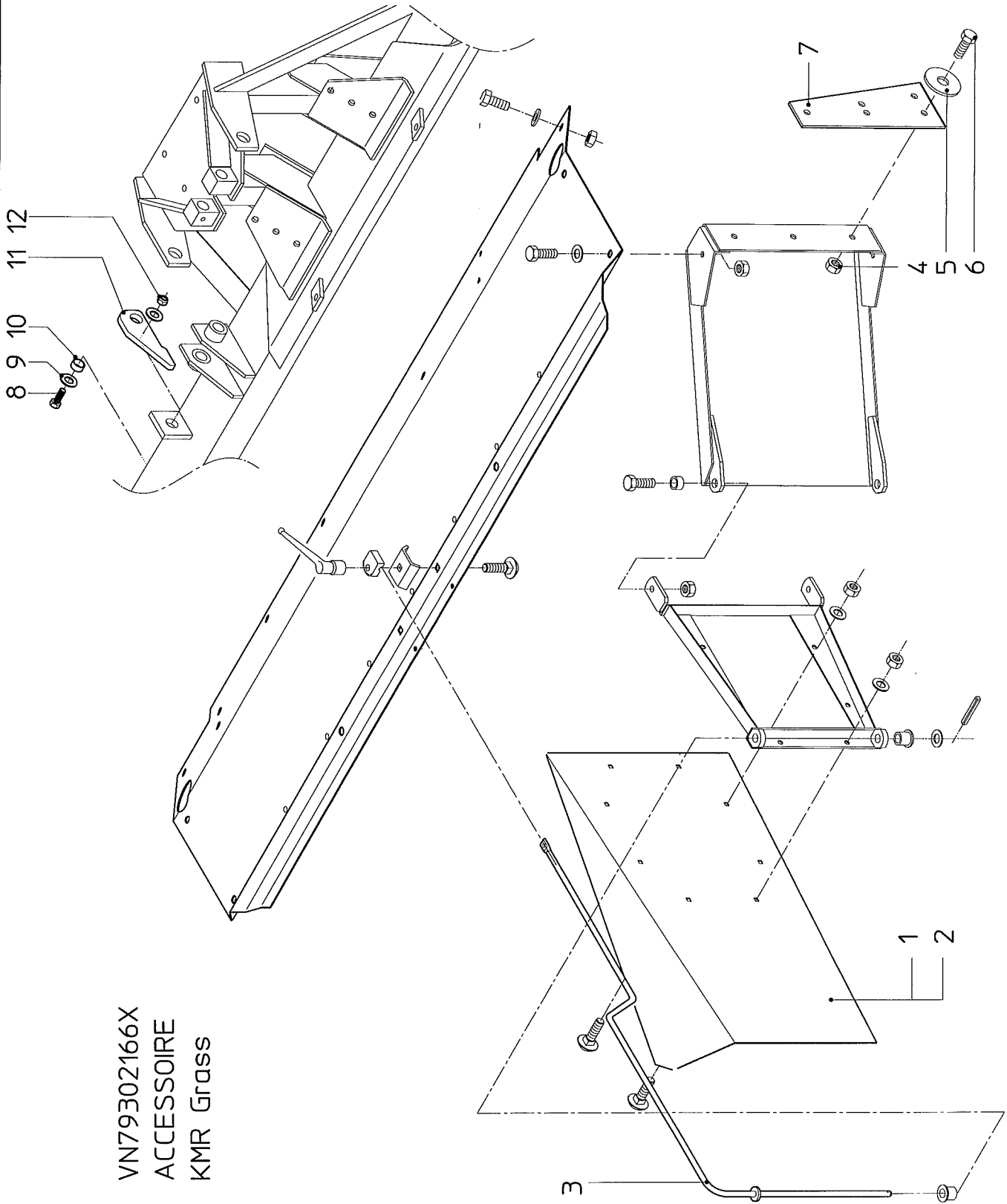


serial number 27442

I14

SB2006

VN79302166X
ACCESSOIRE
KMR Grass



bestelnnummer
ordernummer
num. a commander
Bestelnnummer

	VN79302166X1	
1	VNB2429986	1 L
2	VNB2430086	1 R
3	VNB2936186	2
4	KG01067761	6 8/M12/Nylac
5	KG01267561	6 13
6	KG00476561	6 8.8-M12x30
7	VNB2404386	2

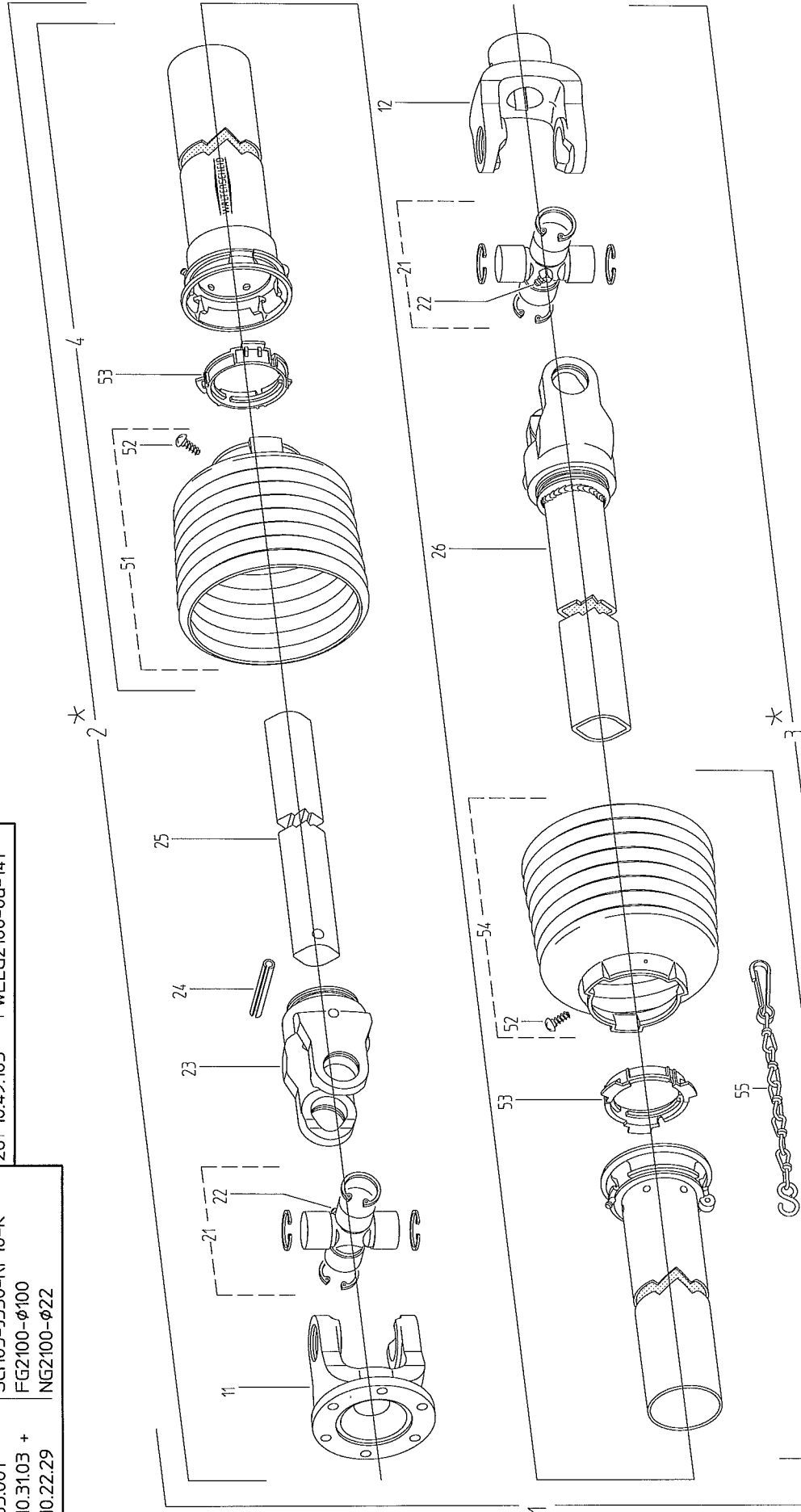
8	KG00483661	1 8.8-M20x50
9	KG01267961	2 21
10	VNB2206693	1
11	VNB2686786	1
12	KG01068161	1 8/M20/Nylac

serial number 27372-27394-27394A-27442

C1

SB

Walterscheid		21	10.01.00		51	85.05.07	n=RP7
1	46120081	22	63.27.00	BM8x1	52	60.15.00	4x10
2	*	23	10.48.00	RG2100-00a	53	83.09.01	
3	*	24	61.04.01	ISO8752-8x50	54	85.05.09	n=RP9
4	85.002	25	75.06.15	00a-150	55	82.36.03	
5	85.001	26	10.49.105	WELG2100-0a-141			
11	10.31.03 +						
12	10.22.29						



- * Bij bestelling, ook bestelnummer van positie 1 doorgeven !
- * bei Bestellung zusätzlich Bestell-Nr. der Position 1 angeben !
- * When ordering, part No. of item 1 must also be indicated !
- * En cas de commande, indiquer aussi la référence du repère 1 !



SB 2006

1001 ≥Mach ID

Kverneland Group Nieuw-Vennep B.V.
Hoofdweg 1278
NL-2153 LR Nieuw-Vennep
The Netherlands

© Kverneland group

All rights reserved. No part of this book may be reproduced, stored in a database or retrieval system, or published in any form or in any way, electronically, mechanically, optically, by print, photo print, microfilm (including micro and macro fiche), or any other means, including all video and CD systems, without prior written permission from the publisher.

